



US00D614942S

(12) **United States Design Patent**
Gaudron

(10) **Patent No.:** **US D614,942 S**
(45) **Date of Patent:** **** May 4, 2010**

(54) **SCREW**

(75) Inventor: **Paul Gaudron**, Stratford, CT (US)

(73) Assignee: **Power Fasteners, Inc.**, Brewster, NY (US)

(**) Term: **14 Years**

(21) Appl. No.: **29/335,425**

(22) Filed: **Apr. 15, 2009**

(51) **LOC (9) Cl.** **08-07**

(52) **U.S. Cl.** **D8/387**

(58) **Field of Classification Search** D8/387,
D8/382, 388; 248/74.3; 156/71; 411/410,
411/403, 419, 378, 378.1, 393, 402, 411,
411/407

See application file for complete search history.

(56) **References Cited**

U.S. PATENT DOCUMENTS

2,193,477	A *	3/1940	De Vellier	411/403
2,839,320	A *	6/1958	Hill	403/172
4,129,975	A *	12/1978	Gabriel	52/655.2
4,295,767	A *	10/1981	Temple, Jr.	411/377
4,439,077	A *	3/1984	Godsted	411/411
D412,102	S *	7/1999	Murakami	D8/382
D419,431	S *	1/2000	Hollis	D8/387
6,109,850	A *	8/2000	Commins	411/387.2
6,332,741	B1 *	12/2001	Janusz	411/412
6,394,726	B1 *	5/2002	Garvick	411/414
6,428,258	B1 *	8/2002	Osterle et al.	411/386
D512,477	S *	12/2005	Diaz	D21/839
7,101,134	B2 *	9/2006	LeVey et al.	411/411
D533,914	S *	12/2006	Diaz	D21/839
7,160,630	B2 *	1/2007	Klos	428/658

D550,072	S *	9/2007	Ardern	D8/387
D552,977	S *	10/2007	He et al.	D8/387
D559,665	S *	1/2008	Terada et al.	D8/382
D576,026	S *	9/2008	Mazzocco	D8/382
D581,776	S *	12/2008	Yin-Feng	D8/387
D582,181	S *	12/2008	Gasser	D6/491
D585,731	S *	2/2009	Carrillo et al.	D8/387
D593,850	S *	6/2009	Kullman	D8/387
D598,735	S *	8/2009	Wakasugi et al.	D8/382

* cited by examiner

Primary Examiner—Holly H Baynham

Assistant Examiner—Sheryl Lane

(74) *Attorney, Agent, or Firm*—Cantor Colburn LLP

(57) **CLAIM**

I claim, the ornamental design for a screw, as shown and described.

DESCRIPTION

FIG. 1 is a top plan view of the screw;

FIG. 2 is a front view of the screw,

FIG. 3 is a side view of the screw;

FIG. 4 is a rear view of the screw;

FIG. 5 is the opposite side of the screw;

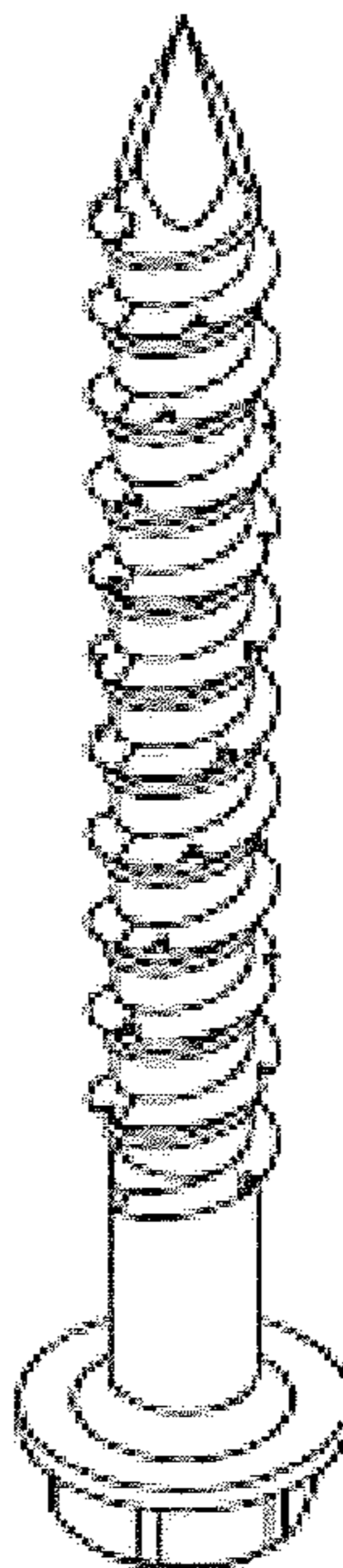
FIG. 6 is a bottom plan view of the screw;

FIG. 7 is a cross sectional view taken along section line 7—7 of the screw;

FIG. 8 is an enlarged fragmented view of a portion taken from FIG. 7. The illustration shows the tooth flank angle of the screw; and,

FIG. 9 is an isometric view of the screw.

1 Claim, 2 Drawing Sheets



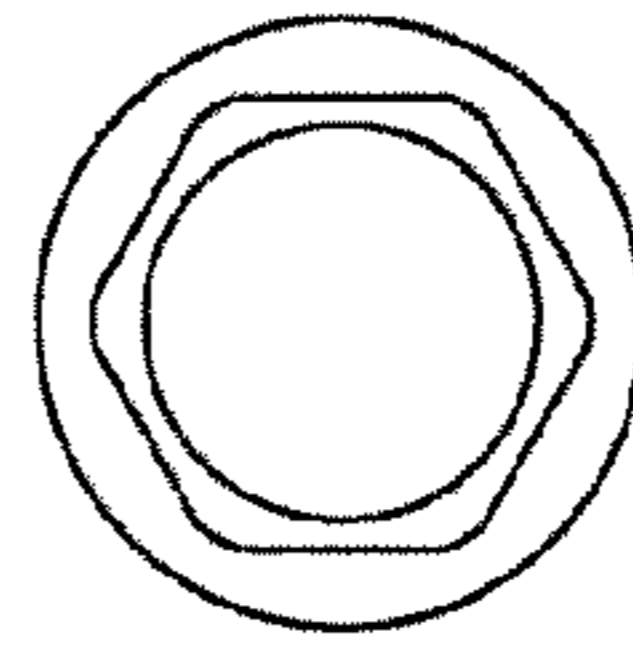


FIG. 1

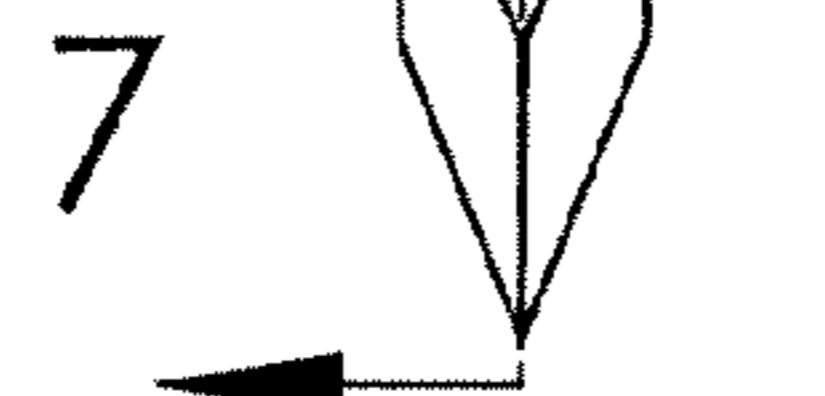
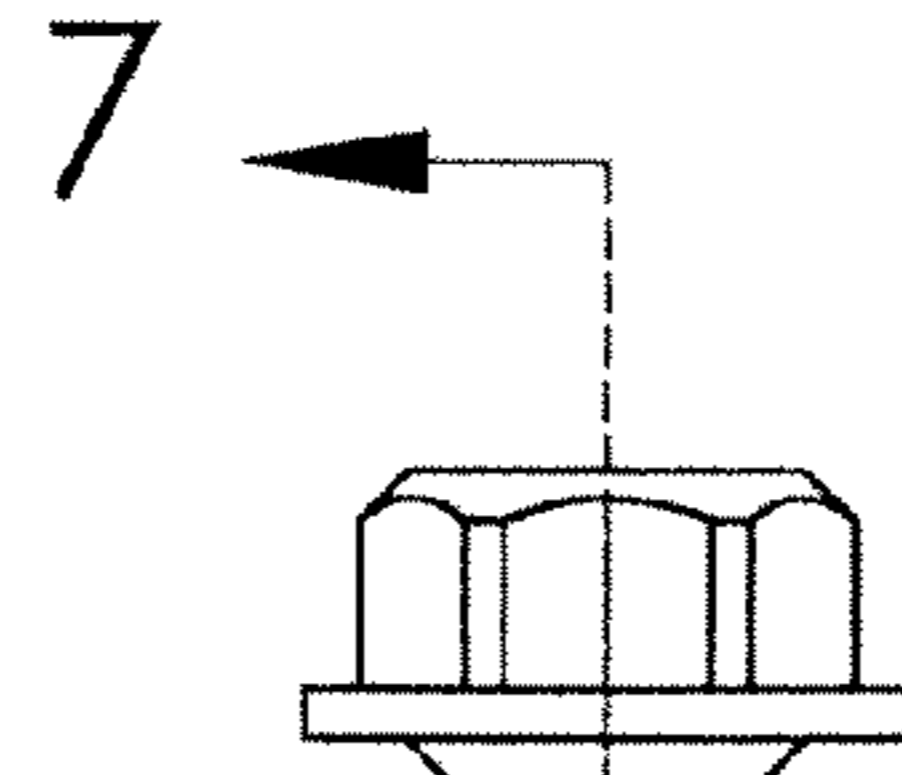


FIG. 4

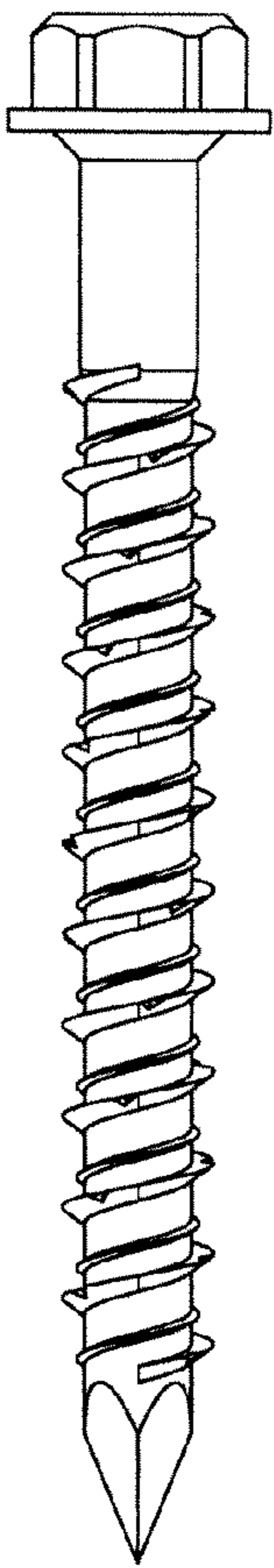


FIG. 2

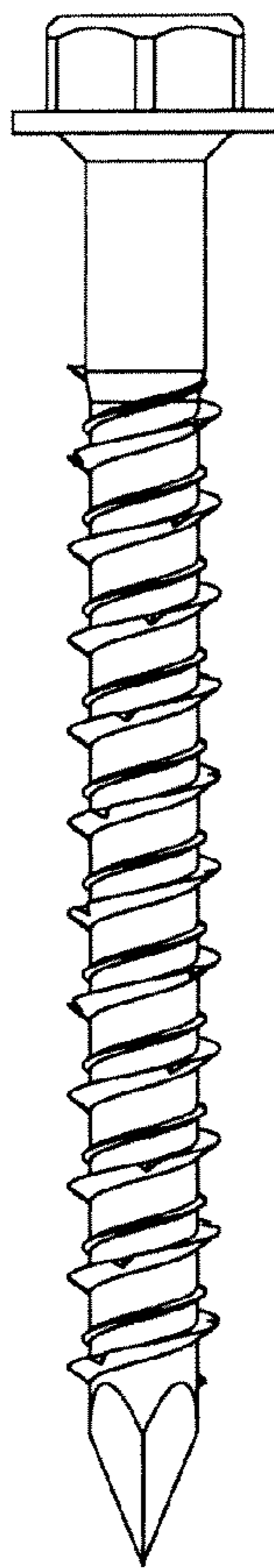


FIG. 3

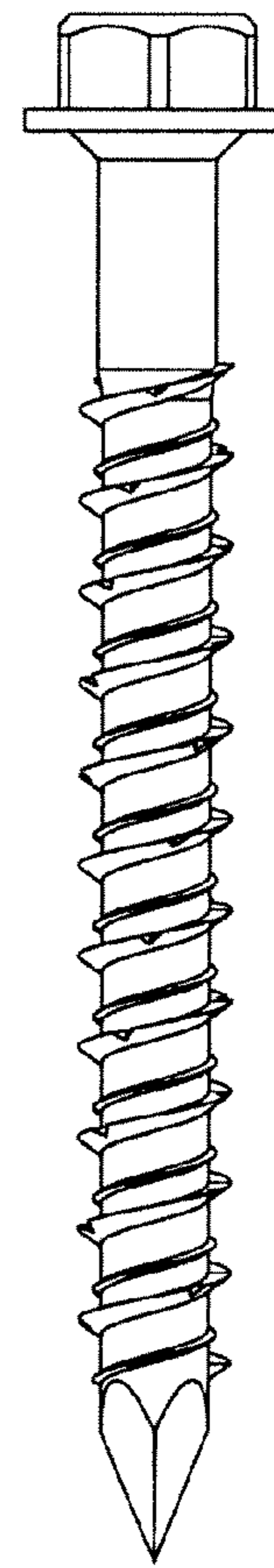


FIG. 5

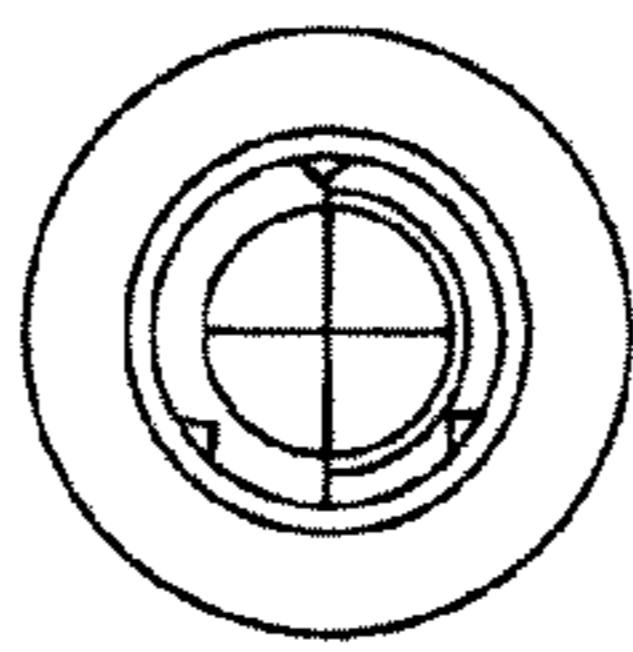


FIG. 6

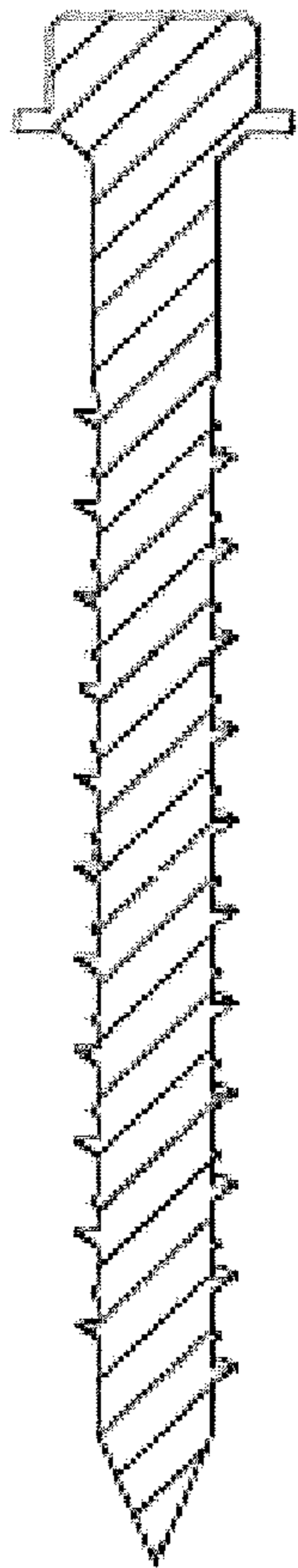


FIG. 7

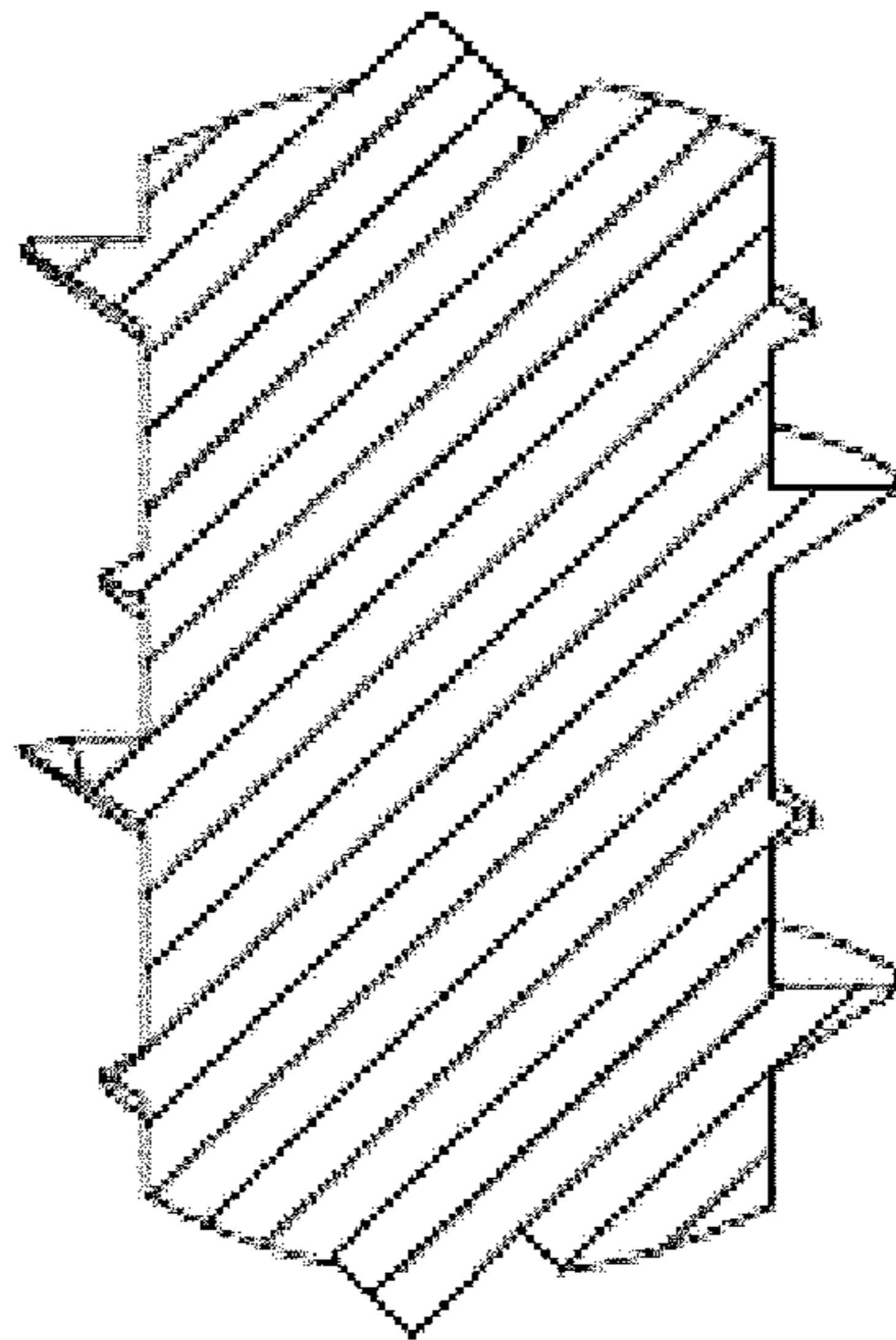


FIG. 8

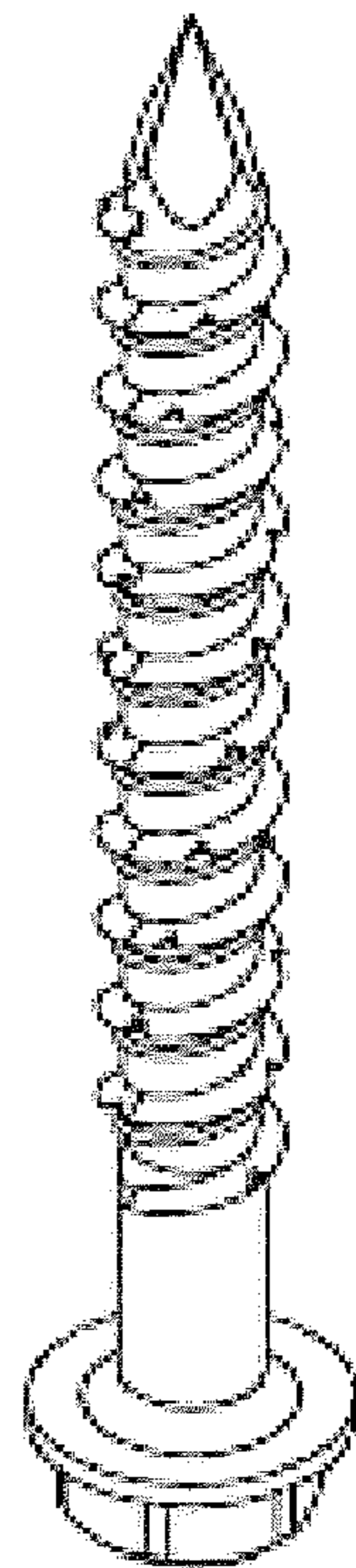


FIG. 9