



US00D614941S

(12) **United States Design Patent**
Murphy

(10) **Patent No.:** **US D614,941 S**

(45) **Date of Patent:** **** May 4, 2010**

(54) **ZIP TIE WALL MOUNT**

(74) *Attorney, Agent, or Firm*—Jo- Anne Yau

(76) **Inventor:** **James Murphy**, 2361 Casey La., Green Cove Springs, FL (US) 32043

(57) **CLAIM**

The ornamental design for a zip tie wall mount, as shown and described.

(**) **Term:** **14 Years**

(21) **Appl. No.:** **29/333,651**

DESCRIPTION

(22) **Filed:** **Mar. 12, 2009**

FIG. 1 is a top-to-bottom view of a wall mount.

(51) **LOC (9) Cl.** **08-08**

FIG. 2 is a bottom-to-top view of a wall mount.

(52) **U.S. Cl.** **D8/387**

FIG. 3 is a side view of a wall mount, the space within the dashed lines representing hollow areas within the wall mount, the left and right sides being mirror images of each other.

(58) **Field of Classification Search** D8/387,
D8/382, 388; 156/71; 248/74.3; 411/410,
411/403, 419

FIG. 4 is a front view of a wall mount, the space within the dashed lines representing hollow areas within the wall mount, the front and back being mirror images of each other.

See application file for complete search history.

FIG. 5 is an environmental perspective view from above a wall mount, the dashed line representing a zip tie or other rope-, string-, or strap-like fastener threaded through the wall mount.

(56) **References Cited**

U.S. PATENT DOCUMENTS

1,910,182	A *	5/1933	Robertson	411/410
2,764,886	A *	10/1956	Wiesmann	52/105
3,283,638	A *	11/1966	Ansingh	411/410
4,576,664	A	3/1986	Delahunty		
D313,344	S *	1/1991	Tritle	D8/387
5,358,368	A *	10/1994	Conlan et al.	411/410
5,911,392	A	6/1999	Greenslate		
6,293,745	B1 *	9/2001	Lu	411/410
6,481,944	B2 *	11/2002	Mann et al.	411/403
6,682,283	B2 *	1/2004	Mann et al.	411/410
D535,180	S	1/2007	Tibbenham et al.		
D563,216	S *	3/2008	Suehiro et al.	D8/387
D589,786	S *	4/2009	Suehiro et al.	D8/387
D590,703	S *	4/2009	Suehiro et al.	D8/387
2008/0184538	A1 *	8/2008	Shellnutt	24/326

FIG. 6 is an environmental side view of a wall mount, the dashed line representing a zip tie or other rope-, string-, or strap-like fastener threaded through the wall mount; and,

FIG. 7 is an environmental top view of a wall mount, the dashed line representing a zip tie or other rope-, string-, or strap-like fastener threaded through the wall mount.

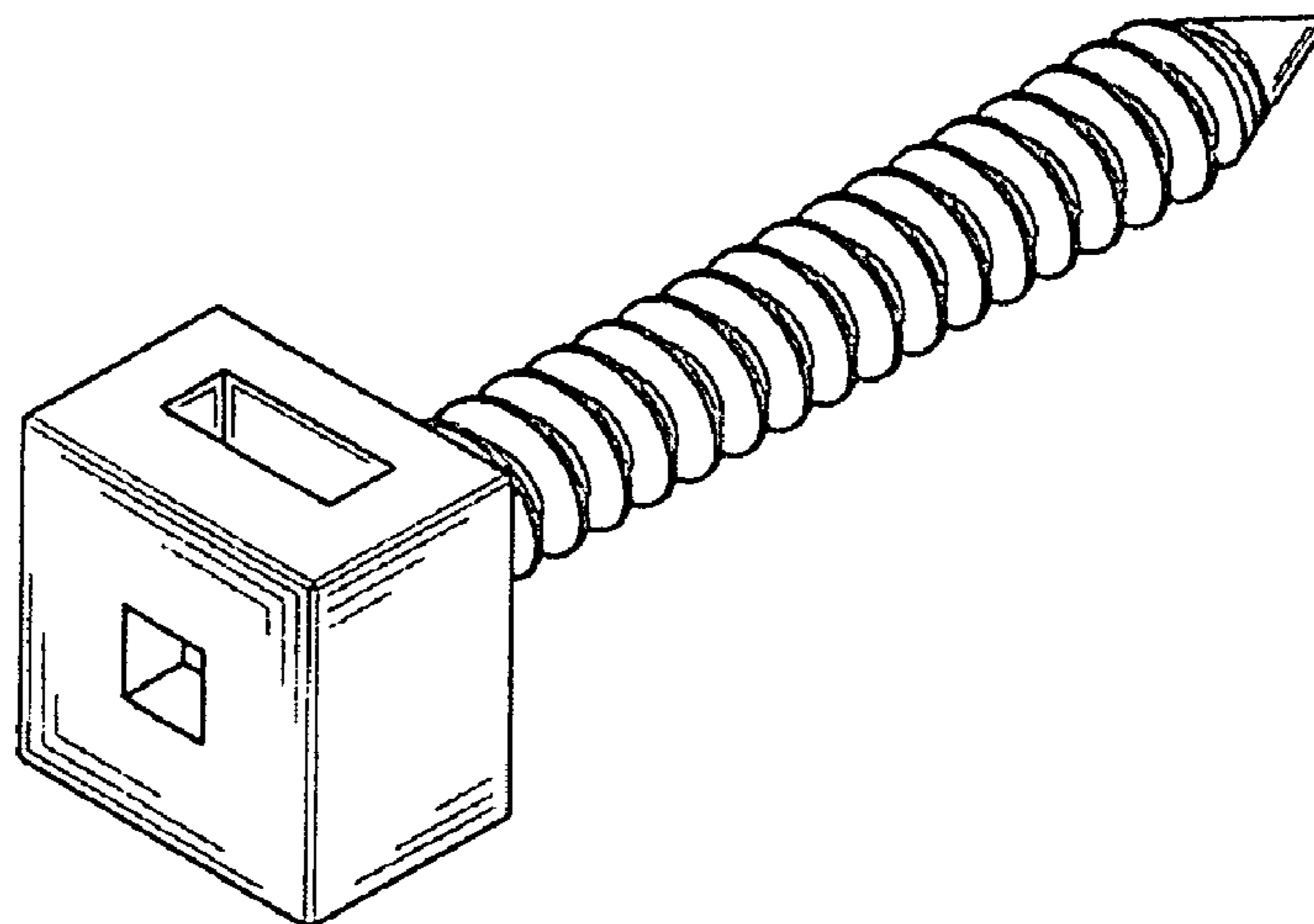
The zip tie wall mount is characterized by a block-like head on a threaded shaft. The top face of the head has an aperture of an approximate size and shape as necessary to accommodate the tip of a driver head. Another aperture runs longitudinally from the front face to the back face of the head.

The broken line showing of the rope, string or strap is included for the purpose of illustrating environment and forms no part of the claimed design.

* cited by examiner

Primary Examiner—Holly H Baynham
Assistant Examiner—Sheryl Lane

1 Claim, 5 Drawing Sheets



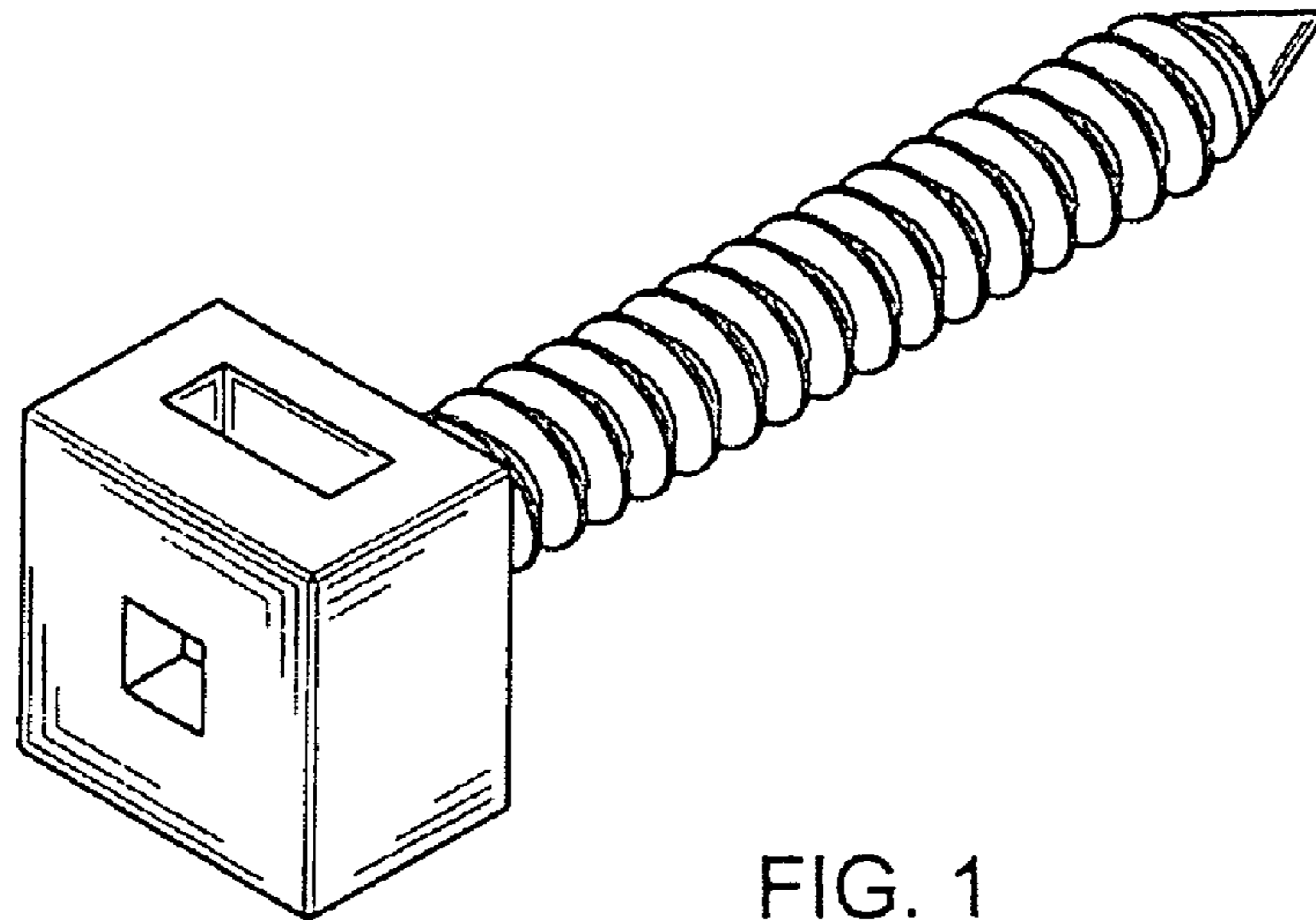


FIG. 1

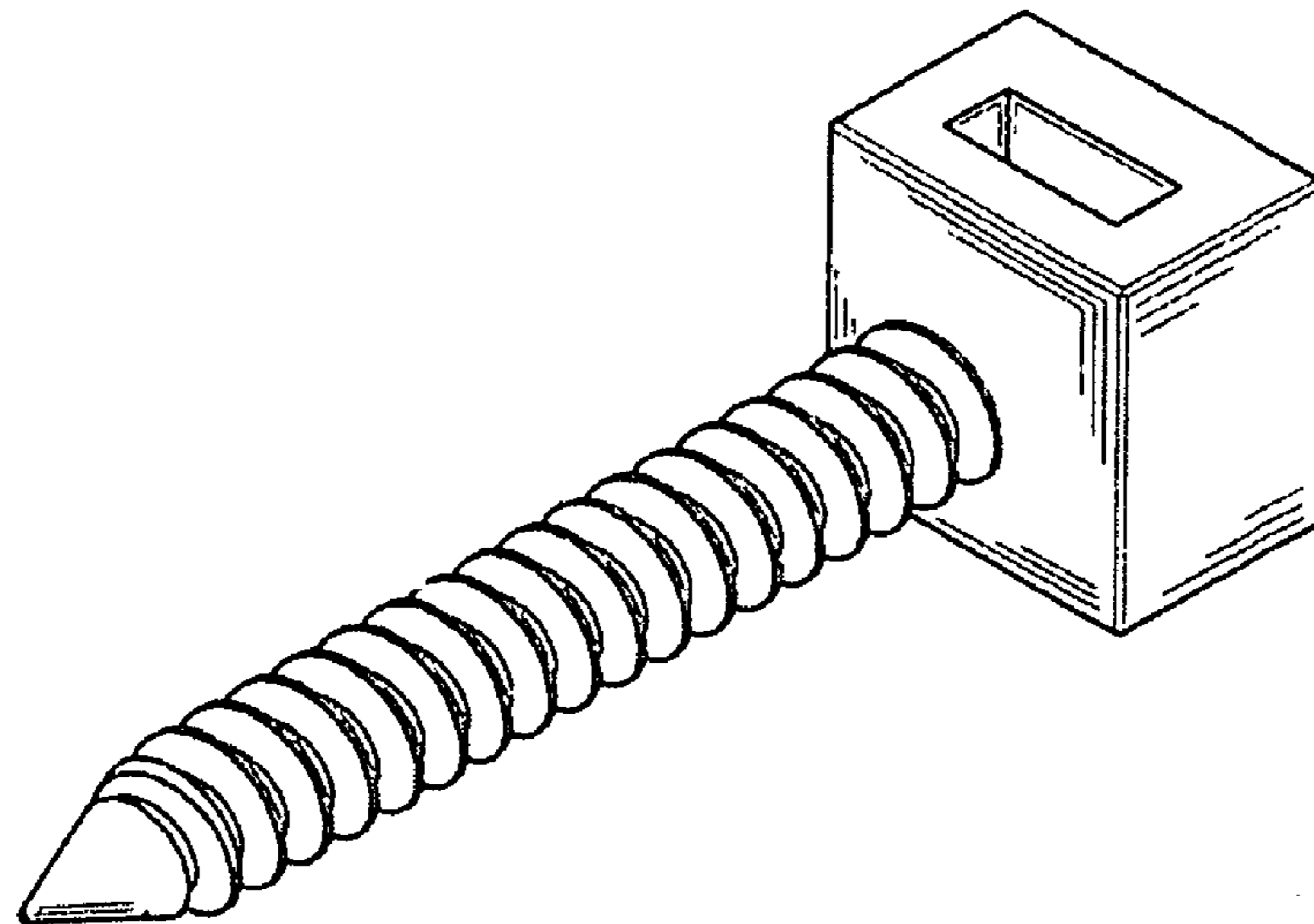


FIG. 2

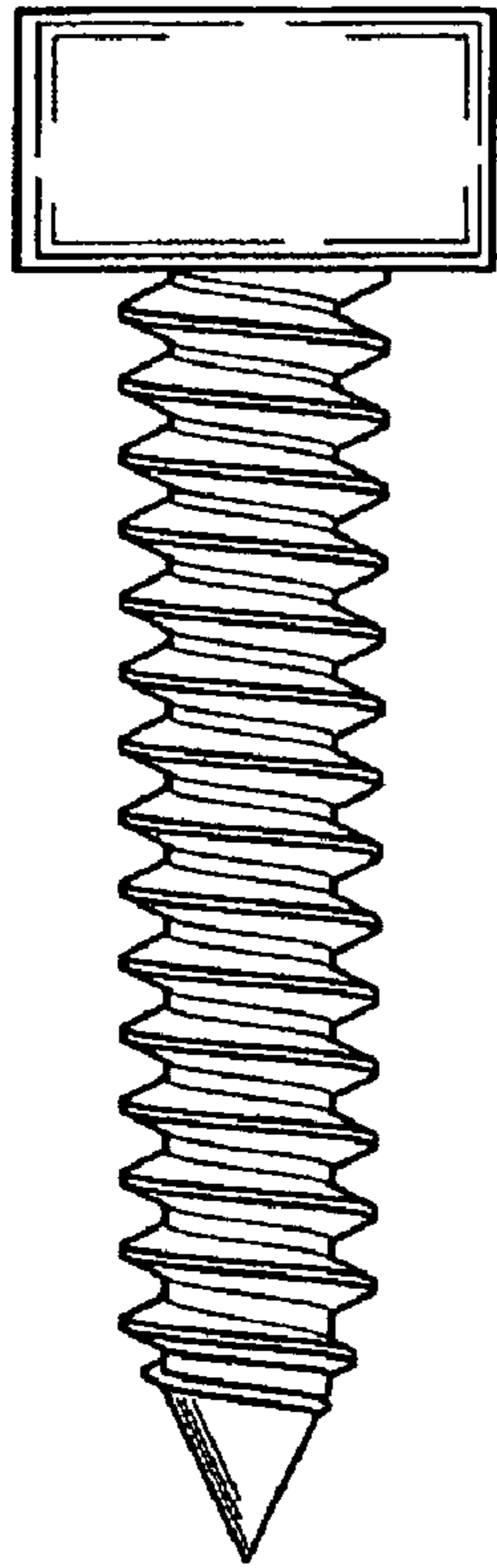


FIG. 3

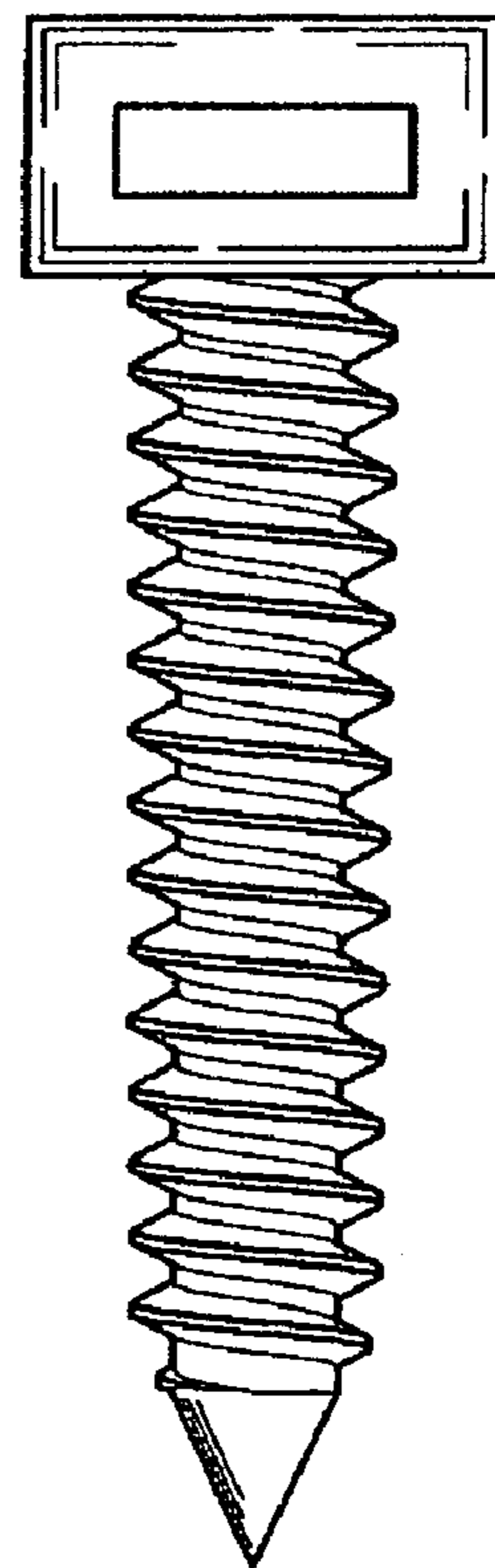


FIG. 4

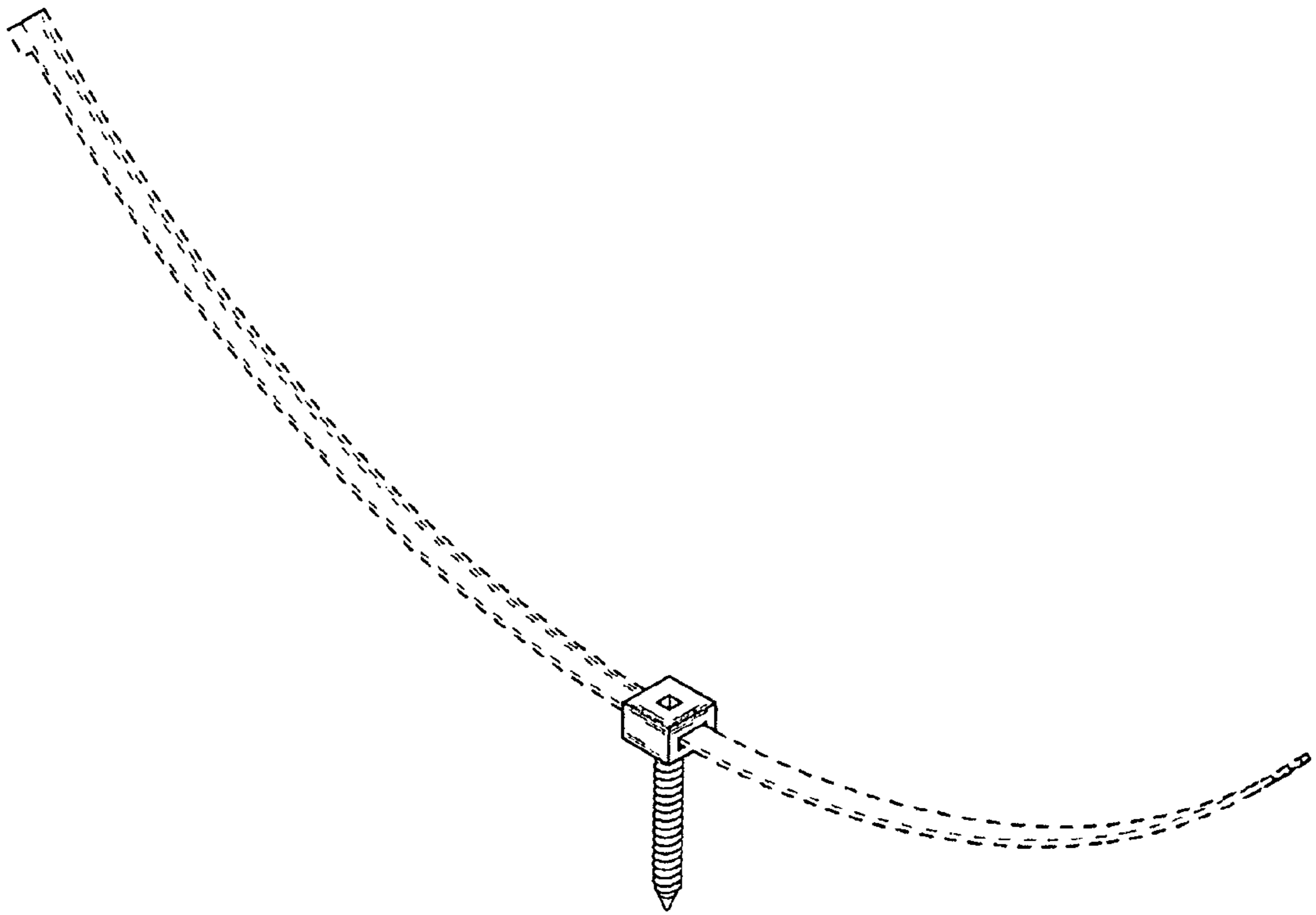


FIG. 5

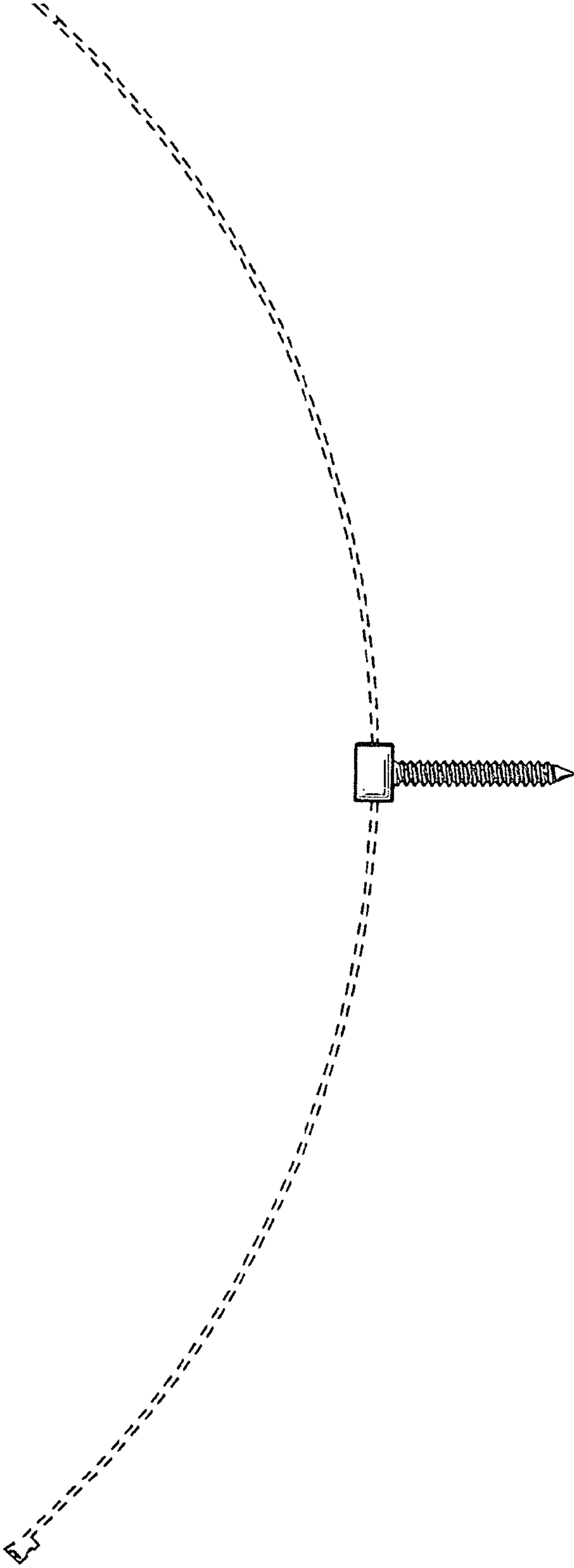


FIG. 6



FIG. 7