



US00D614939S

(12) **United States Design Patent**
Barrese

(10) **Patent No.:** **US D614,939 S**

(45) **Date of Patent:** **** May 4, 2010**

(54) **SHOWER CURTAIN HOOK**

(75) Inventor: **Charles Barrese**, Huntington, NY (US)

(73) Assignee: **Ex-Cell Home Fashions, Inc.**, New York, NY (US)

(**) Term: **14 Years**

(21) Appl. No.: **29/341,921**

(22) Filed: **Aug. 14, 2009**

(51) **LOC (9) Cl.** **08-05**

(52) **U.S. Cl.** **D8/367**

(58) **Field of Classification Search** D8/367,
D8/373; 248/302-303, 339

See application file for complete search history.

(56) **References Cited**

U.S. PATENT DOCUMENTS

D582,760 S * 12/2008 Barrese D8/367
D587,917 S 3/2009 Barrese

* cited by examiner

Primary Examiner—Holly H Baynham
(74) *Attorney, Agent, or Firm*—Alston & Bird LLP

(57) **CLAIM**

The ornamental design for a shower curtain hook, as shown and described.

DESCRIPTION

FIG. 1 is a perspective view of an embodiment of a shower curtain hook according to my new design;

FIG. 2 is a front elevation view thereof;

FIG. 3 is a left side elevation view thereof;

FIG. 4 is a right side elevation view thereof;

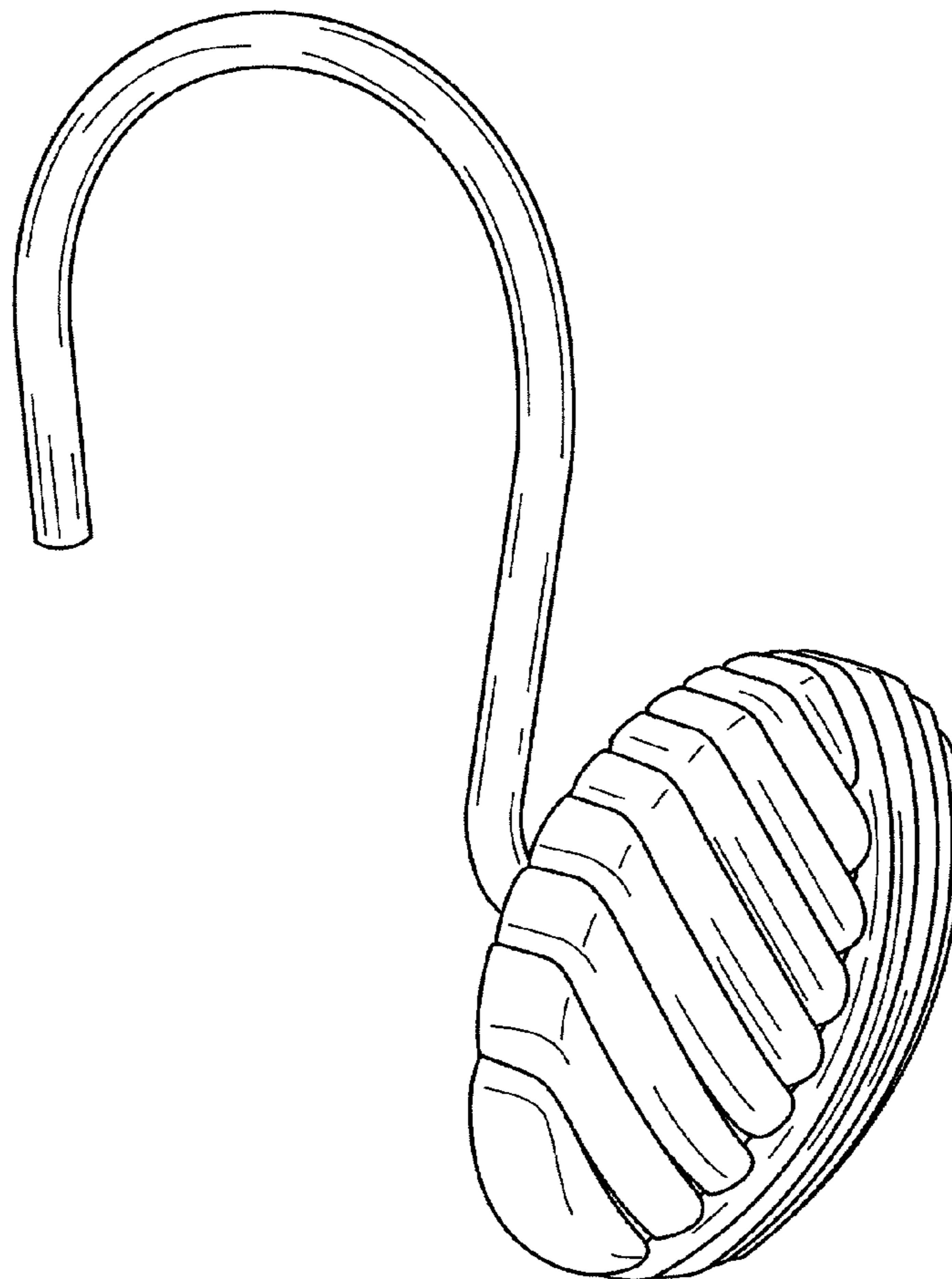
FIG. 5 is a bottom plan view thereof;

FIG. 6 is a top plan view thereof; and,

FIG. 7 is a back elevation view thereof.

The broken lines immediately adjacent the shaded areas represent the bounds of the claimed design while all other broken lines are directed to environment and are for illustrative purposes only; the broken lines form no part of the claimed design.

1 Claim, 7 Drawing Sheets



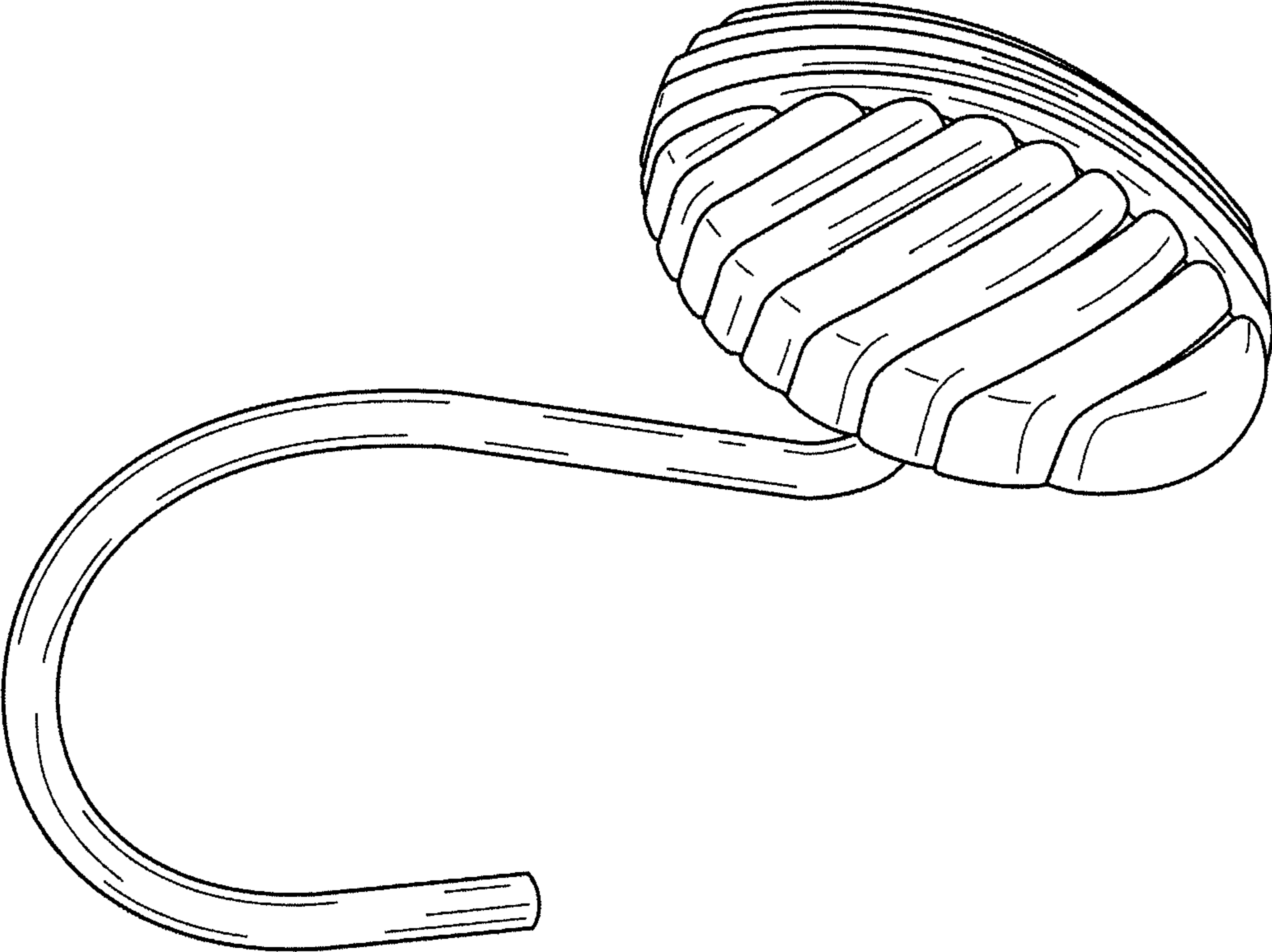


FIG. 1

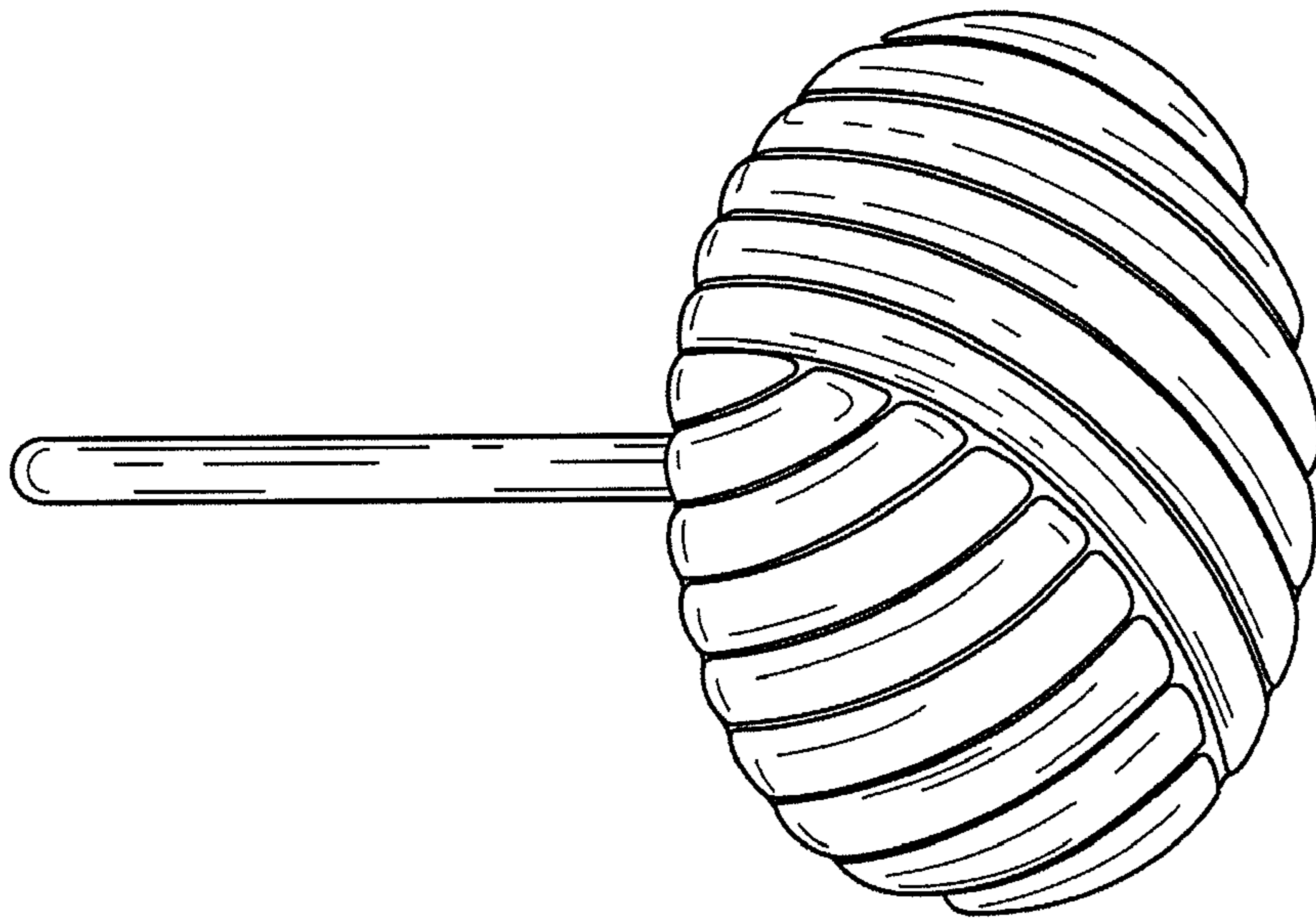


FIG. 2

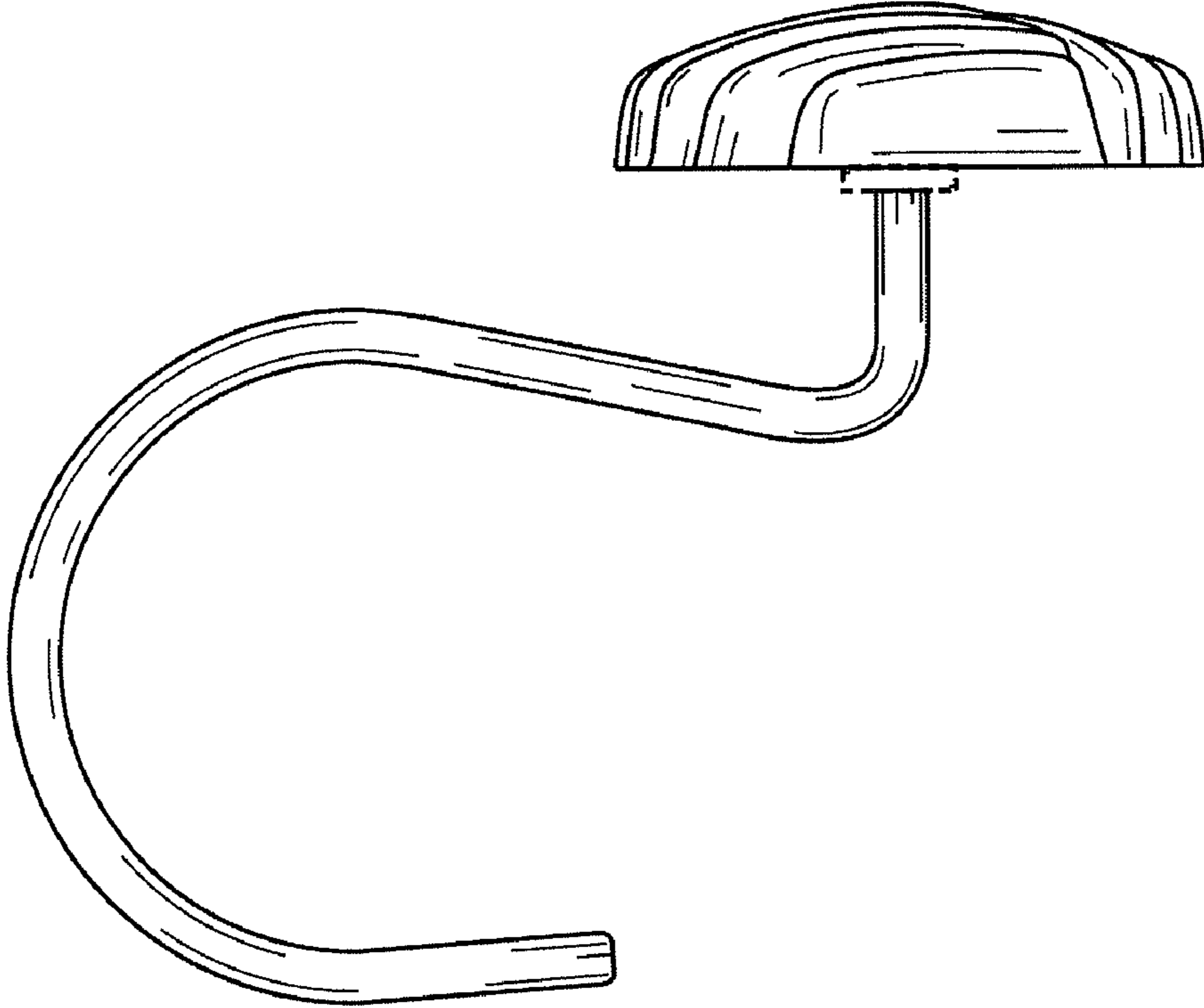


FIG. 3

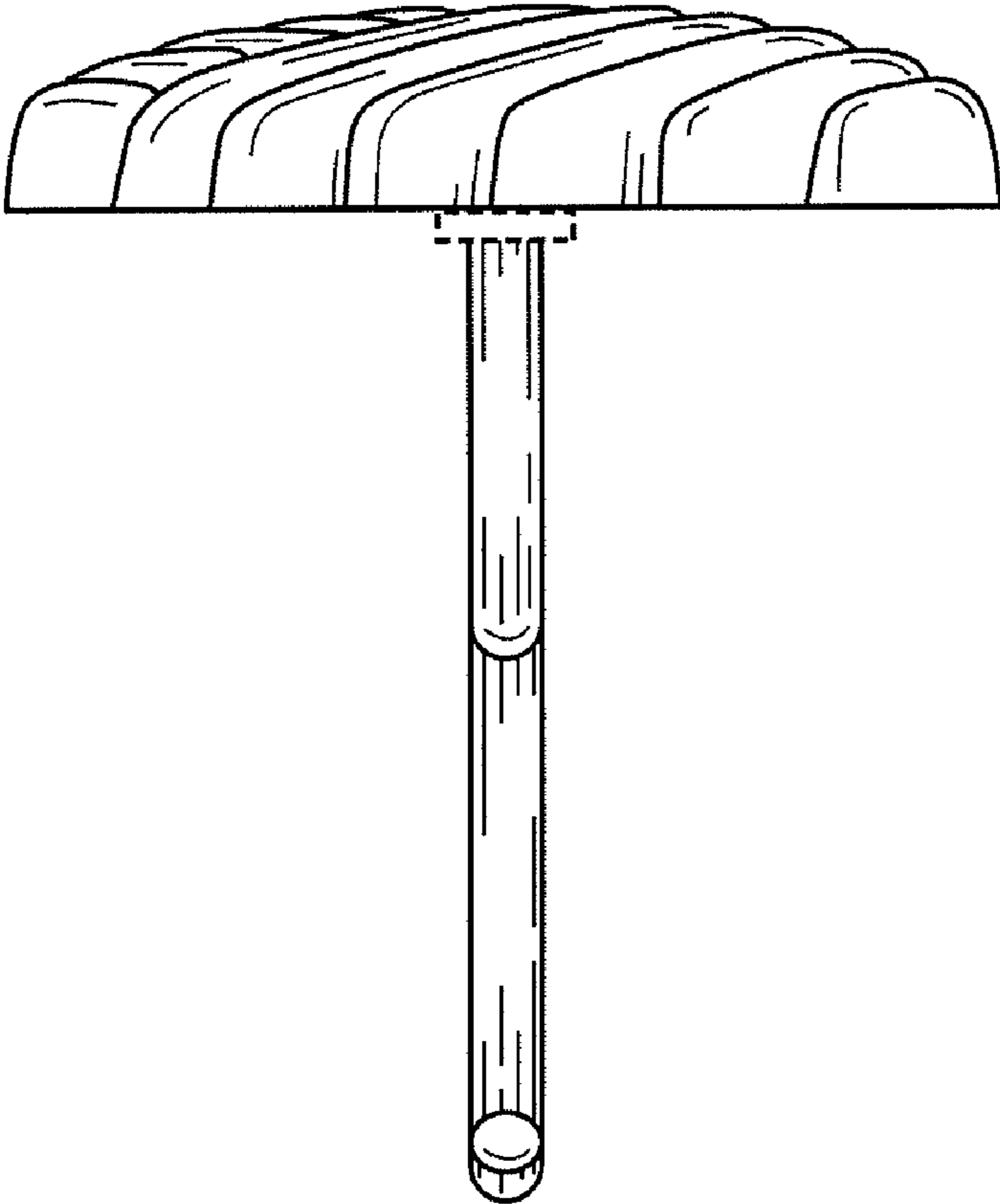


FIG. 4

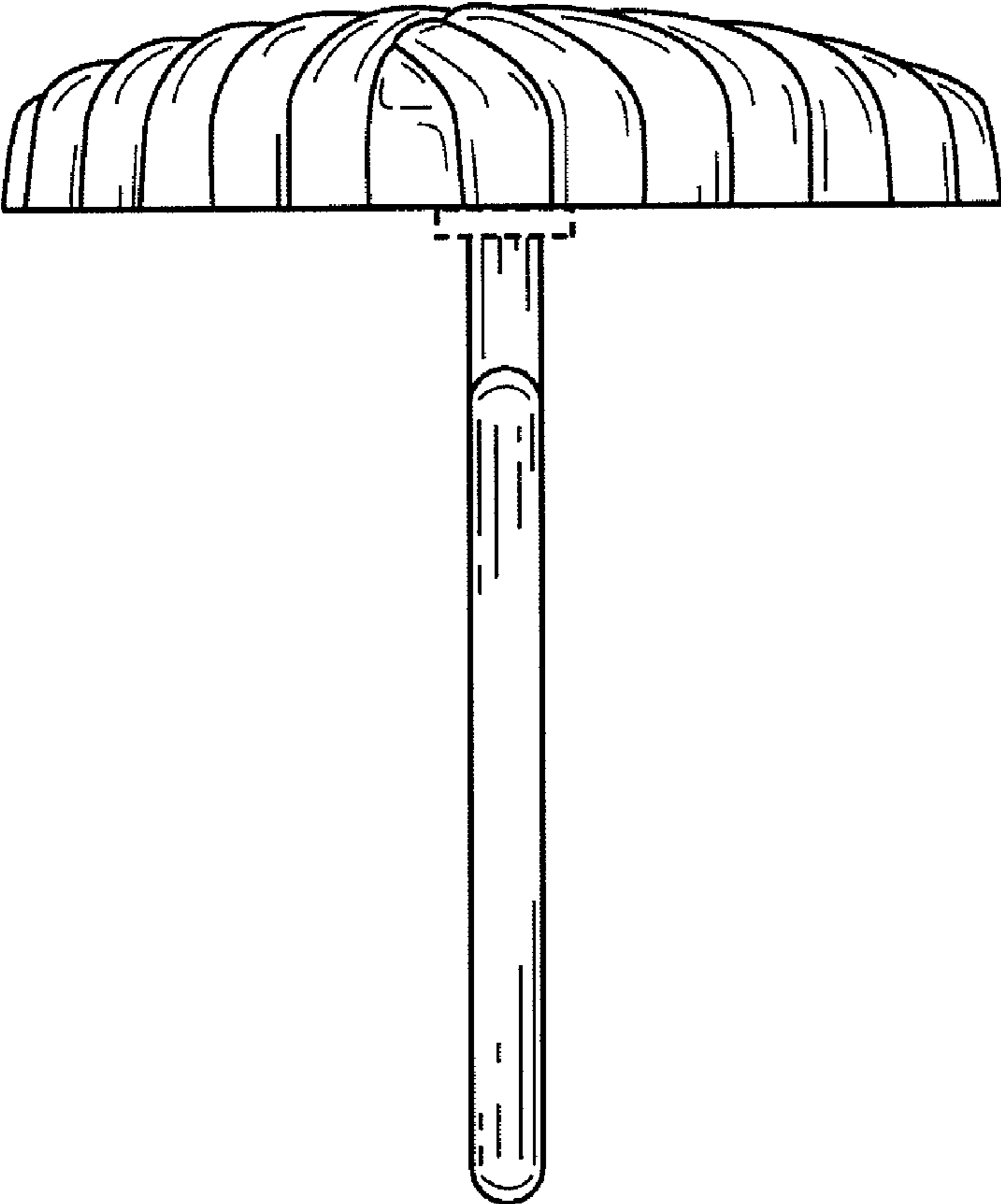


FIG. 5

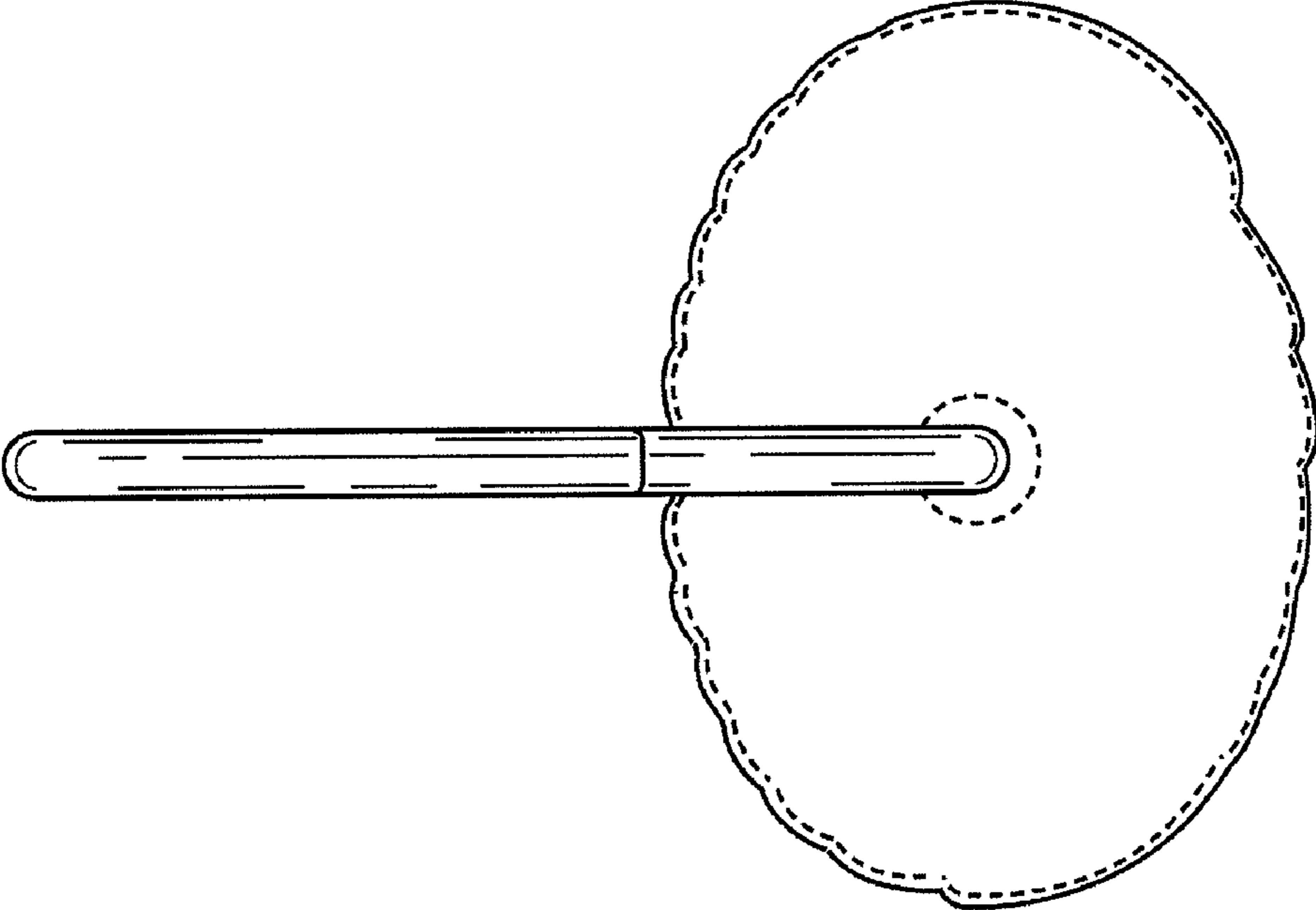


FIG. 6

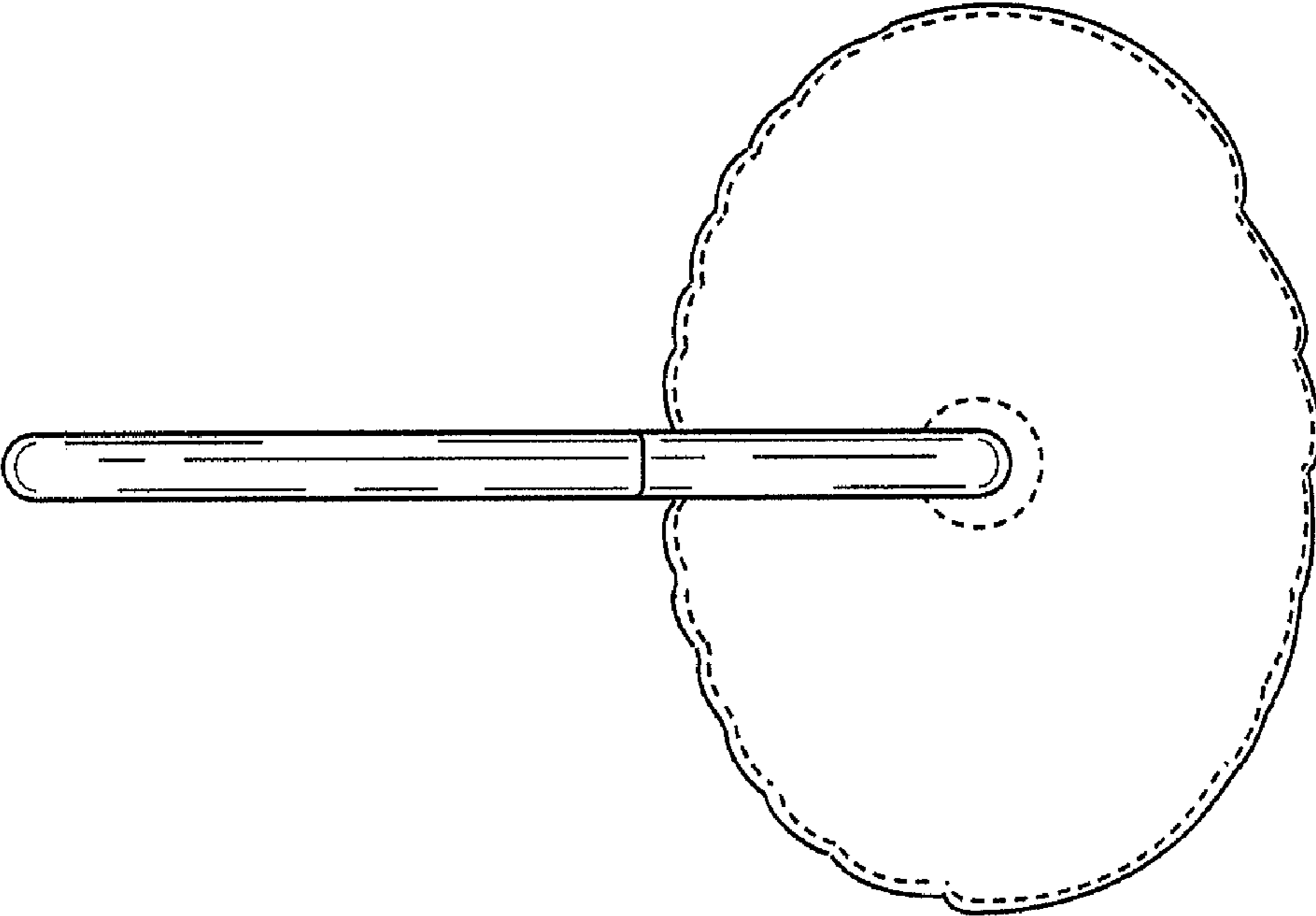


FIG. 7