



US00D614938S

(12) **United States Design Patent**
Barrese

(10) **Patent No.:** **US D614,938 S**

(45) **Date of Patent:** **** May 4, 2010**

(54) **SHOWER CURTAIN HOOK**

(74) *Attorney, Agent, or Firm*—Alston & Bird LLP

(75) Inventor: **Charles Barrese**, Huntington, NY (US)

(57) **CLAIM**

(73) Assignee: **Ex-Cell Home Fashions, Inc.**, New York, NY (US)

The ornamental design for a shower curtain hook, as shown and described.

(**) Term: **14 Years**

DESCRIPTION

(21) Appl. No.: **29/341,918**

FIG. 1 is a perspective view of an embodiment of a shower curtain hook according to my new design;

(22) Filed: **Aug. 14, 2009**

FIG. 2 is a front elevation view thereof;

(51) **LOC (9) Cl.** **08-05**

FIG. 3 is a left side elevation view thereof;

(52) **U.S. Cl.** **D8/367**

FIG. 4 is a right side elevation view thereof;

(58) **Field of Classification Search** D8/367,
D8/373; 248/302–303, 339

FIG. 5 is a bottom plan view thereof;

See application file for complete search history.

FIG. 6 is a top plan view thereof; and,

FIG. 7 is a back elevation view thereof.

(56) **References Cited**

The broken lines immediately adjacent the shaded areas represent the bounds of the claimed design while all other broken lines are directed to environment and are for illustrative purposes only; the broken lines form no part of the claimed design.

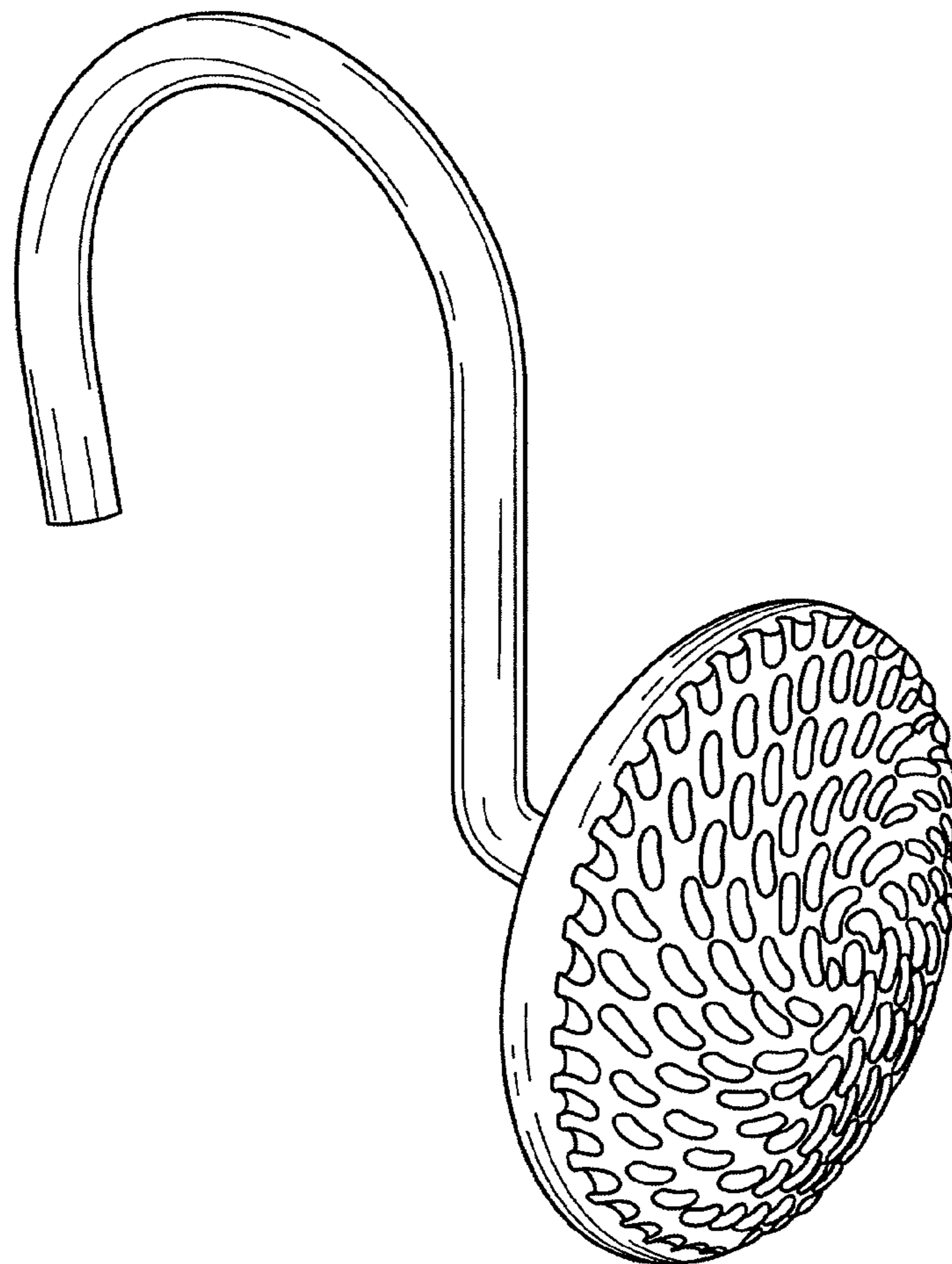
U.S. PATENT DOCUMENTS

D582,760 S * 12/2008 Barrese D8/367

* cited by examiner

Primary Examiner—Holly H Baynham

1 Claim, 7 Drawing Sheets



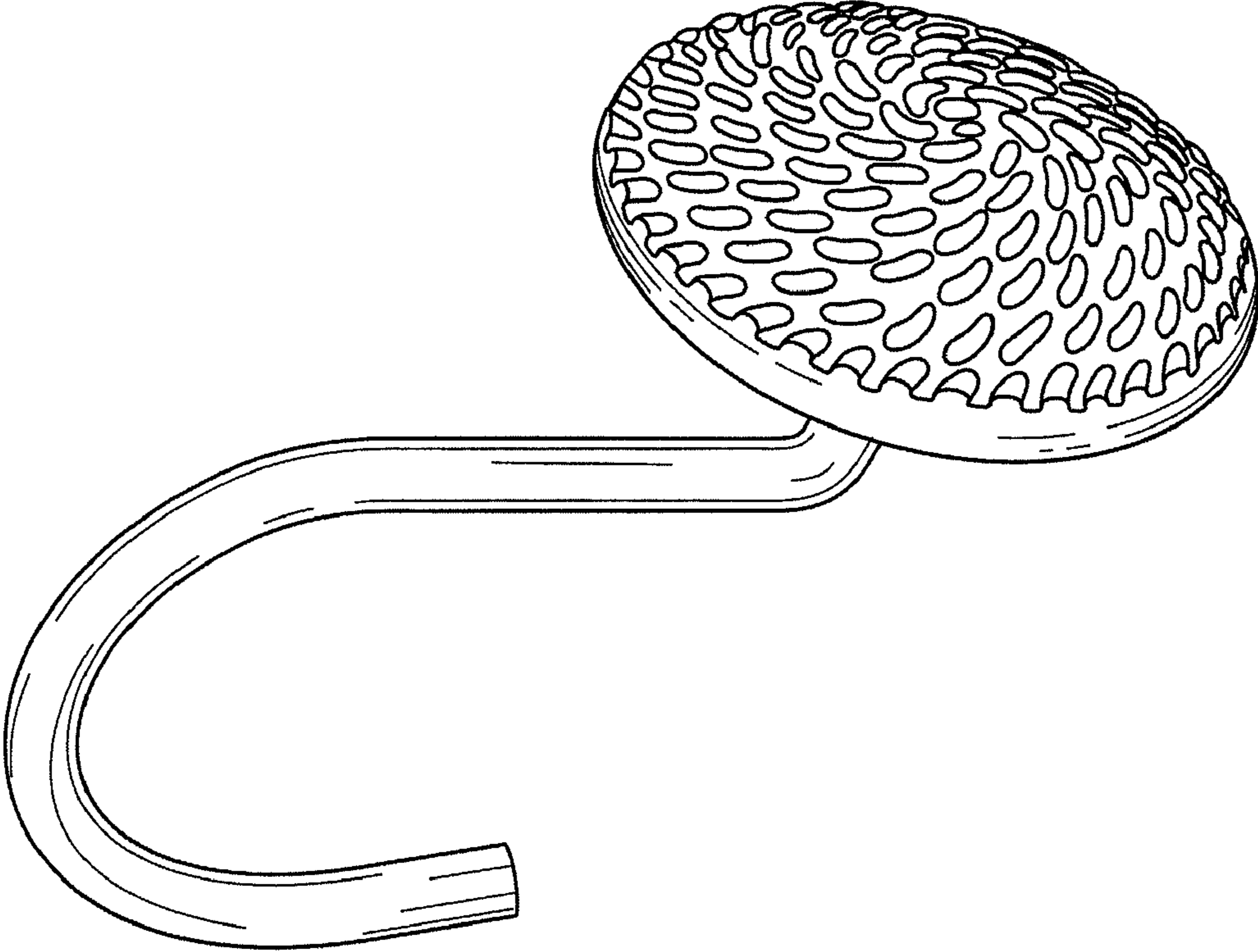


FIG. 1

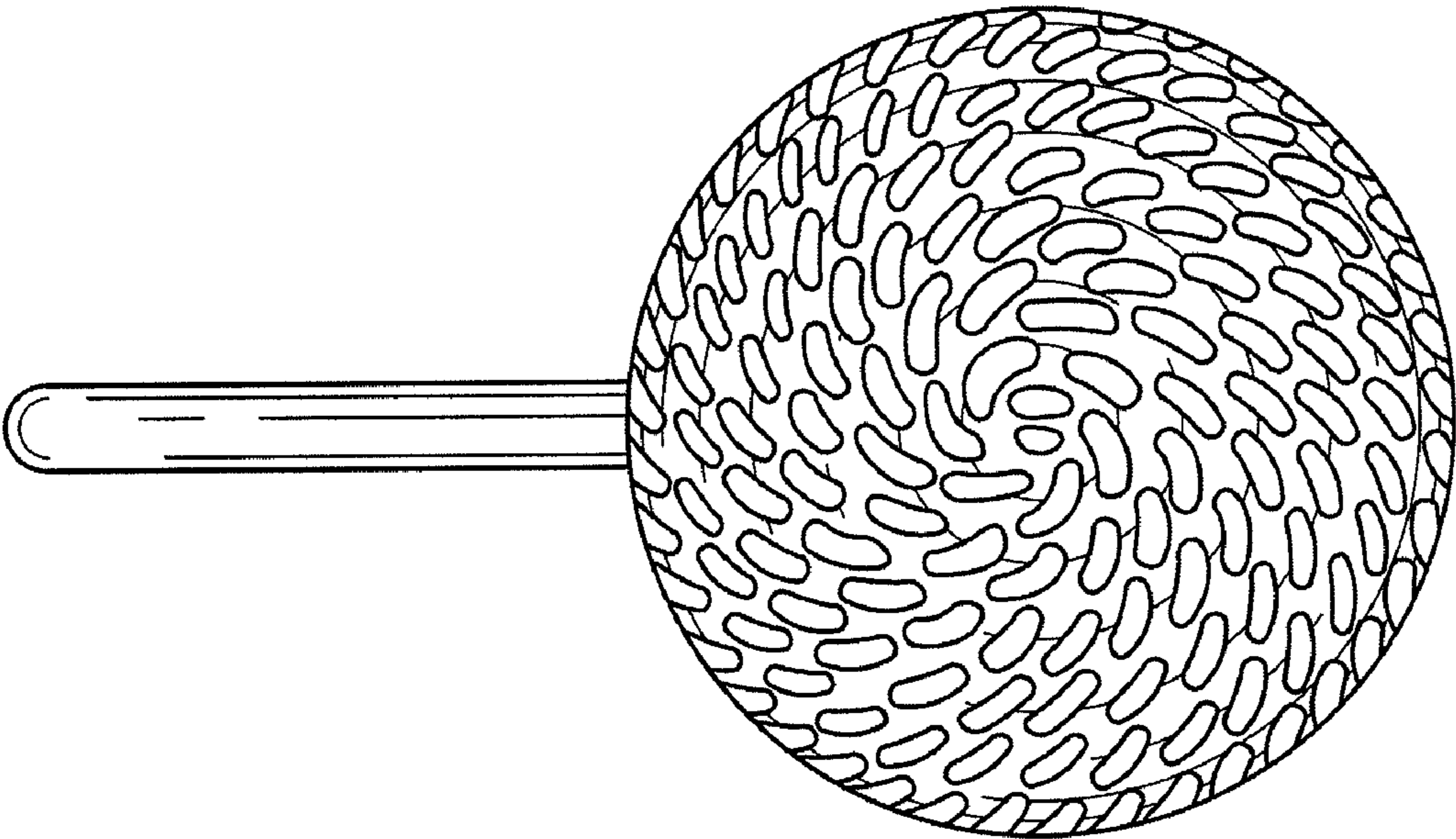


FIG. 2

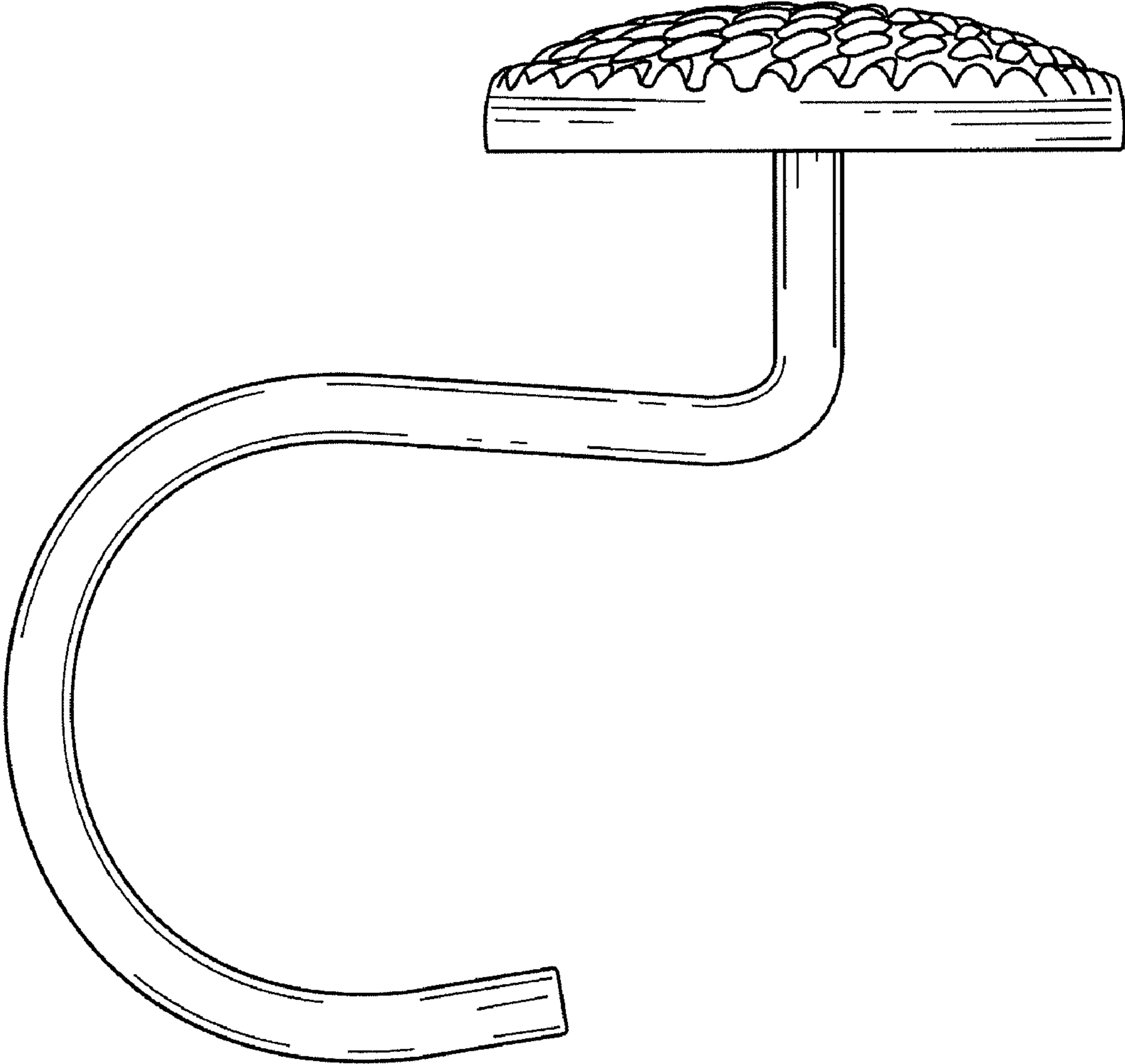


FIG. 3

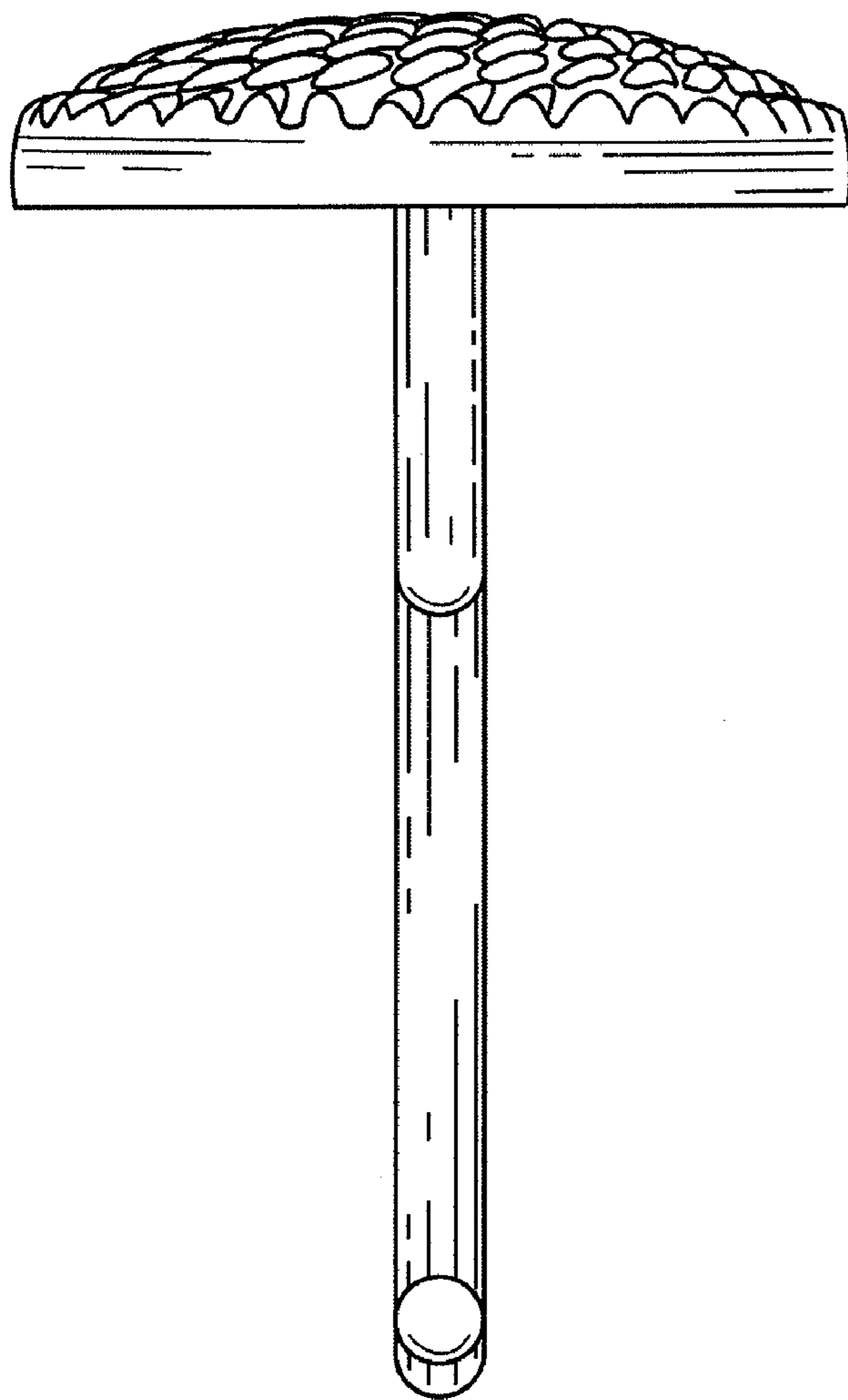


FIG. 4

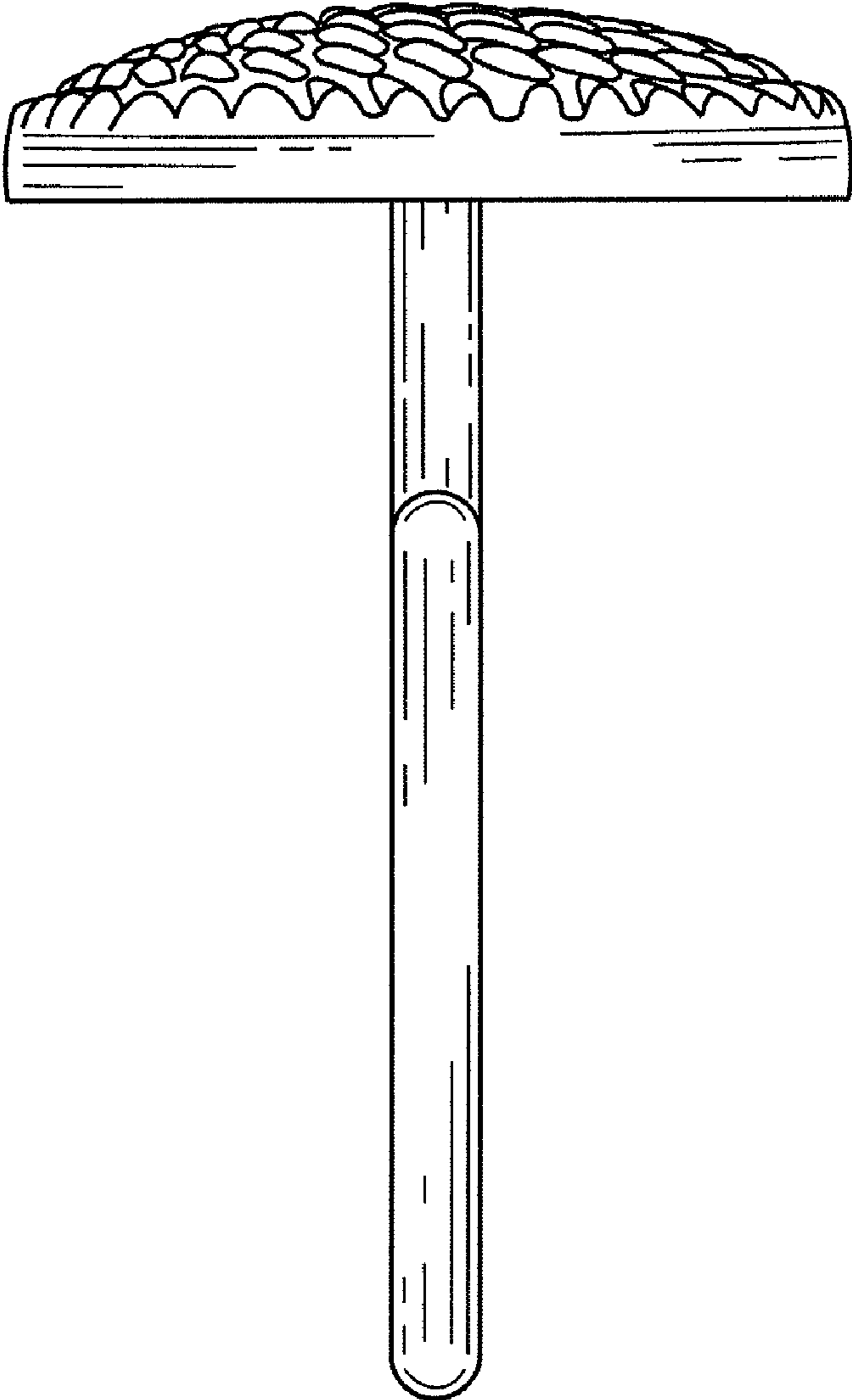


FIG. 5

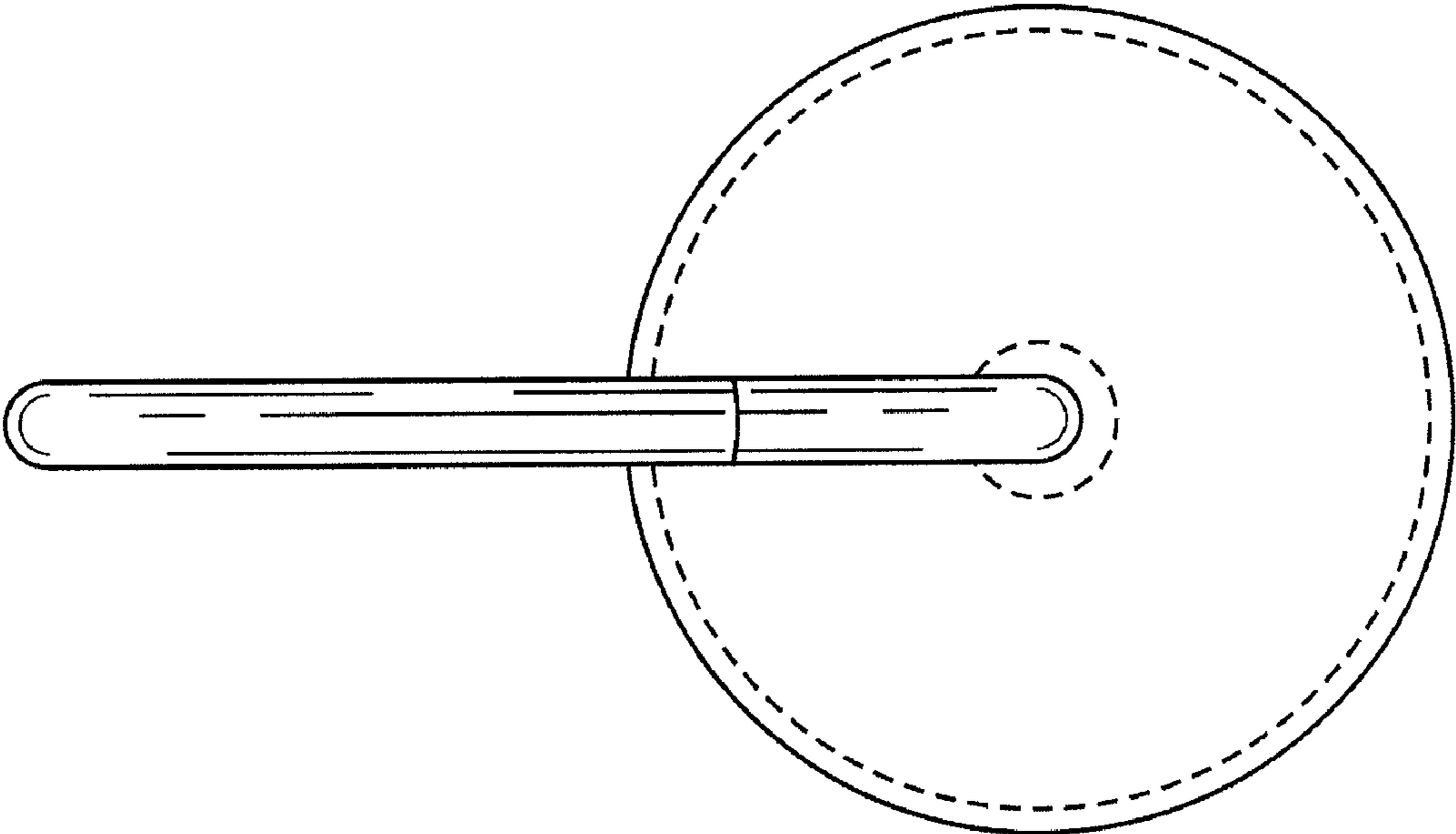


FIG. 6

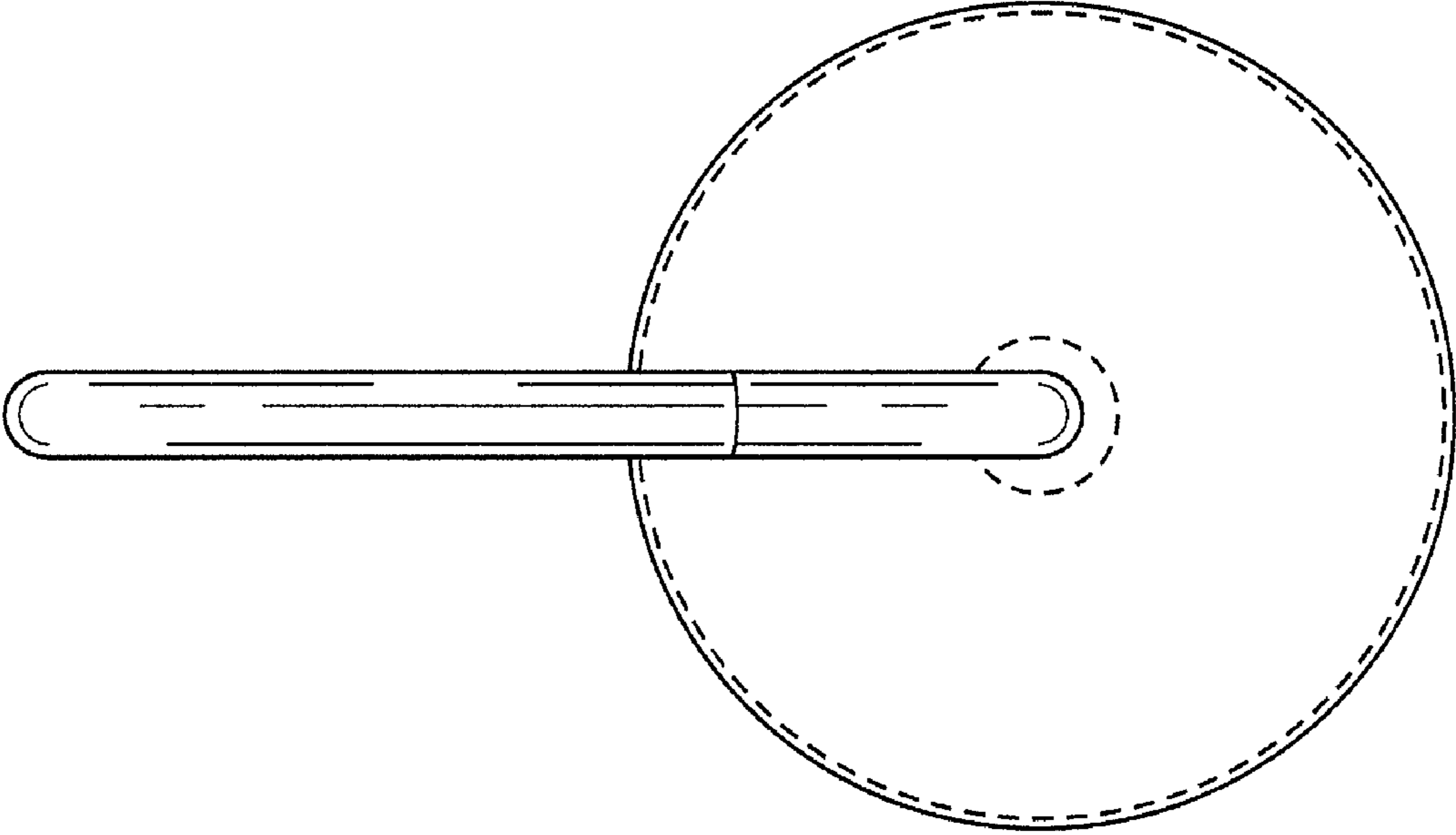


FIG. 7