



US00D614937S

(12) **United States Design Patent**
Kelleghan

(10) **Patent No.:** **US D614,937 S**
(45) **Date of Patent:** **** May 4, 2010**

(54) **DECORATED SURFACE CARABINER**

(75) Inventor: **Brian James Kelleghan**, Longmont, CO
(US)

(73) Assignee: **Bison Designs, LLC**, Longmont, CO
(US)

(**) Term: **14 Years**

(21) Appl. No.: **29/340,430**

(22) Filed: **Jul. 17, 2009**

(51) **LOC (9) Cl.** **08-08**

(52) **U.S. Cl.** **D8/356**

(58) **Field of Classification Search** D8/105,
D8/107, 333, 349, 356, 358, 357, 367, 372,
D8/373, 383; D11/200, 215; 24/573.11,
24/579.09, 579.11, 592.11, 599.1, 599.9,
24/600.1; 182/5

See application file for complete search history.

(56) **References Cited**

U.S. PATENT DOCUMENTS

- D279,314 S * 6/1985 Ishida et al. D24/143
- 4,835,823 A 6/1989 Contat
- D330,669 S 11/1992 Hui-Chuan
- 5,329,675 A 7/1994 McLean et al.
- 5,357,657 A * 10/1994 Petzl 24/599.9
- D375,252 S * 11/1996 Serra Fabregas D8/356
- D391,840 S 3/1998 Striebel
- D401,505 S * 11/1998 Michael et al. D9/434
- 5,878,834 A * 3/1999 Brainerd et al. 182/3
- D433,310 S * 11/2000 Luquire D8/333
- D433,312 S * 11/2000 Luquire D8/333
- D446,422 S 8/2001 Sumner et al.
- D447,680 S 9/2001 Kelleghan
- D462,891 S * 9/2002 Kelleghan D8/372
- D468,997 S * 1/2003 Chang D8/356
- D469,023 S 1/2003 Mah
- 6,527,434 B1 3/2003 Fox et al.
- D473,769 S 4/2003 Kelleghan
- D474,095 S * 5/2003 Luquire D8/99
- D476,342 S 6/2003 Yoshida et al.

- 6,622,354 B1 * 9/2003 Klingier 24/601.5
- D482,251 S 11/2003 Kelleghan
- D483,647 S * 12/2003 Lo D8/333
- D488,971 S 4/2004 Kelleghan
- D488,973 S 4/2004 Kelleghan
- D500,950 S 1/2005 Kelleghan
- 6,912,836 B2 * 7/2005 Hsu 59/85

(Continued)

FOREIGN PATENT DOCUMENTS

JP 2003287170 10/2003

Primary Examiner—Robert M Spear

Assistant Examiner—Karen Acker

(74) *Attorney, Agent, or Firm*—Margaret Polson; Oppedahl
Patent Law Firm LLC

(57) **CLAIM**

The ornamental design for a decorated surface carabiner, as shown and described.

DESCRIPTION

FIG. 1 is a top plan view of my new design for a decorated surface carabiner.

FIG. 2 is a bottom plan view of FIG. 1.

FIG. 3 is a left side elevation view of FIG. 1.

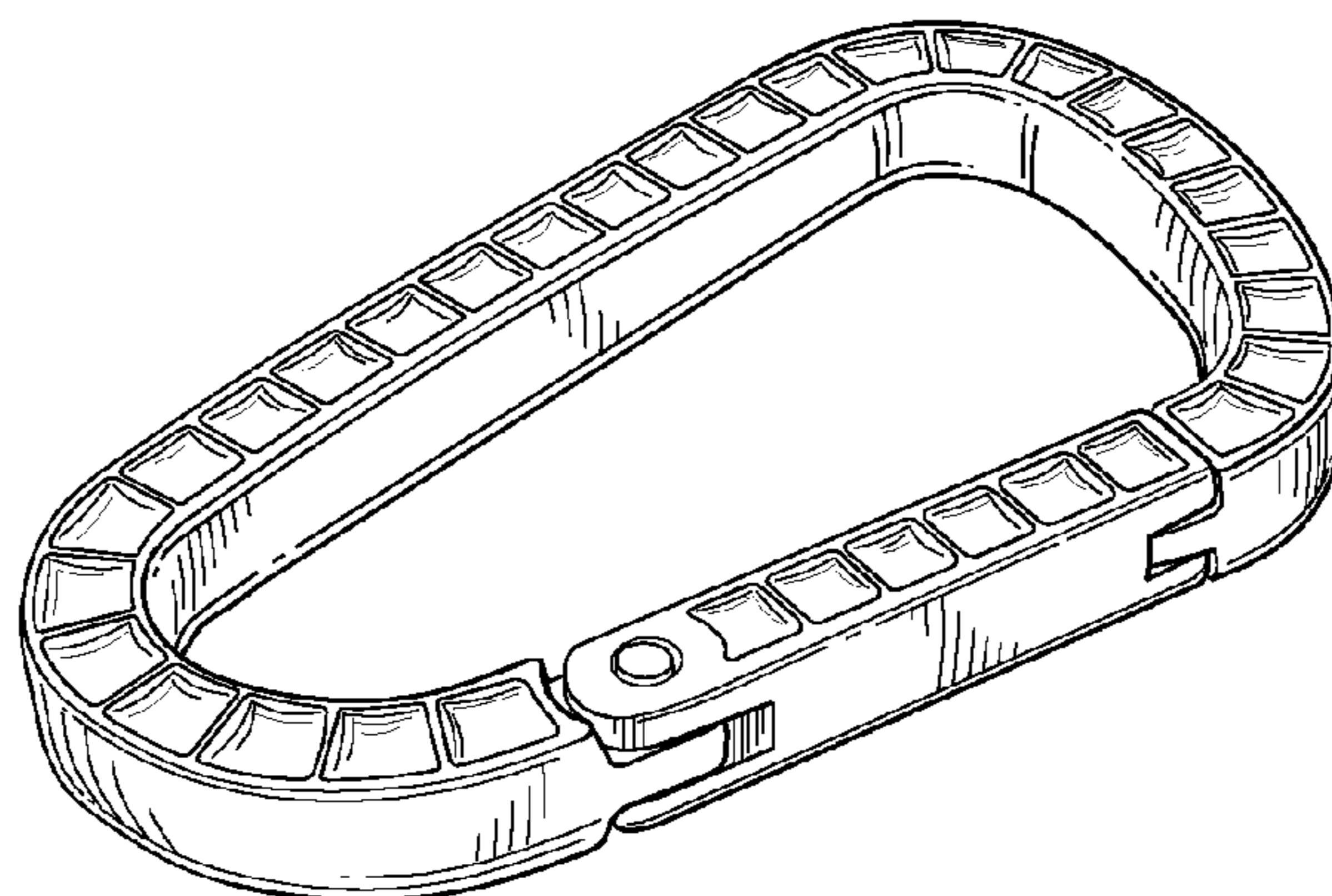
FIG. 4 is a right side elevation view of FIG. 1.

FIG. 5 is a front side elevation view of FIG. 1.

FIG. 6 is rear side elevation view of FIG. 1; and,

FIG. 7 is a top perspective view of FIG. 1.

1 Claim, 1 Drawing Sheet



US D614,937 S

Page 2

U.S. PATENT DOCUMENTS						
D521,362 S	5/2006	Kelleghan		D580,257 S *	11/2008 Squyres D8/349	
D525,520 S	7/2006	Martin		D590,237 S	4/2009 Parisi et al.	
D526,886 S	8/2006	Kramer		D590,699 S *	4/2009 Szymanski et al. D8/373	
D527,988 S *	9/2006	Shetler	D8/356	D591,584 S	5/2009 Kelleghan	
D529,789 S *	10/2006	Kleckner	D8/356	D594,315 S *	6/2009 Szymanski et al. D8/373	
D556,545 S *	12/2007	Titas et al.	D8/354	D600,534 S *	9/2009 Tokumoto	D8/354
D565,392 S	4/2008	Shetler		2003/0106190 A1 *	6/2003 Christianson	24/600.1
D567,073 S *	4/2008	Soracco	D8/387	2005/0172461 A1	8/2005 Hall	
D573,493 S	7/2008	Tsai		2007/0050956 A1	3/2007 Hu	
D577,572 S	9/2008	Kelleghan		2008/0005876 A1 *	1/2008 Christianson	24/600.1
D579,059 S *	10/2008	Chan	D21/397	2008/0209700 A1 *	9/2008 Goldberg	24/599.6

* cited by examiner



FIG. 5

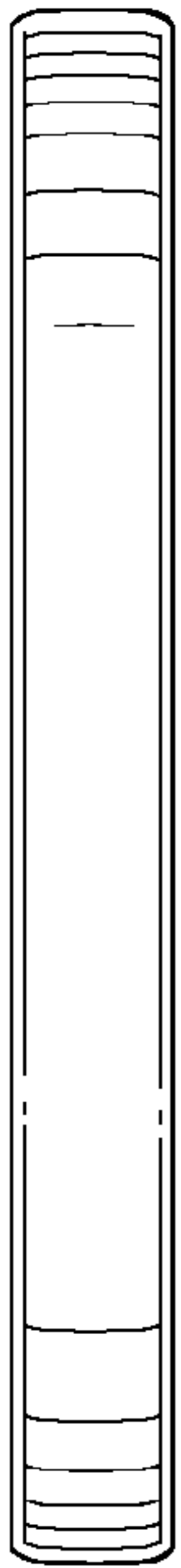


FIG. 3

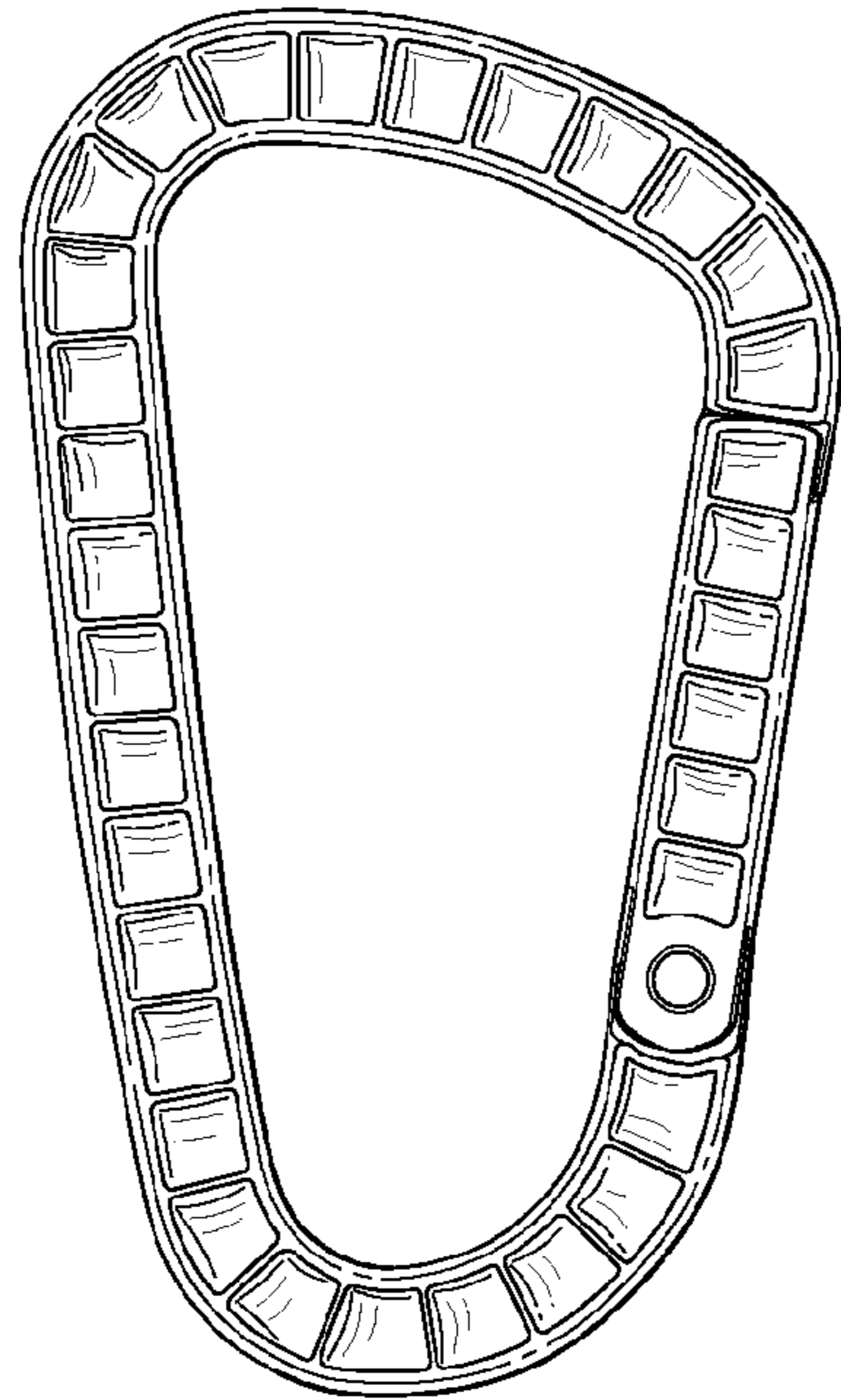


FIG. 1

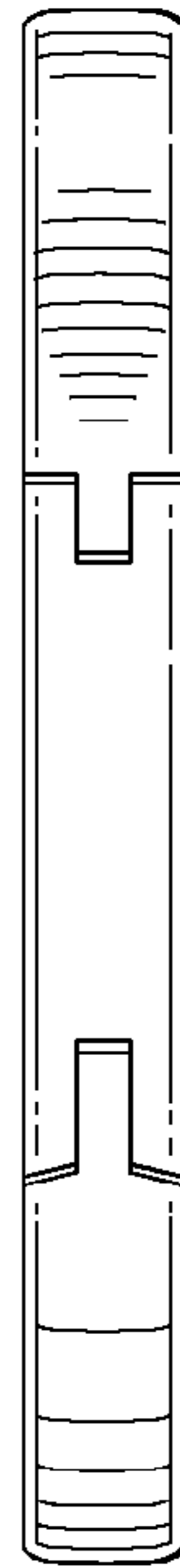


FIG. 4

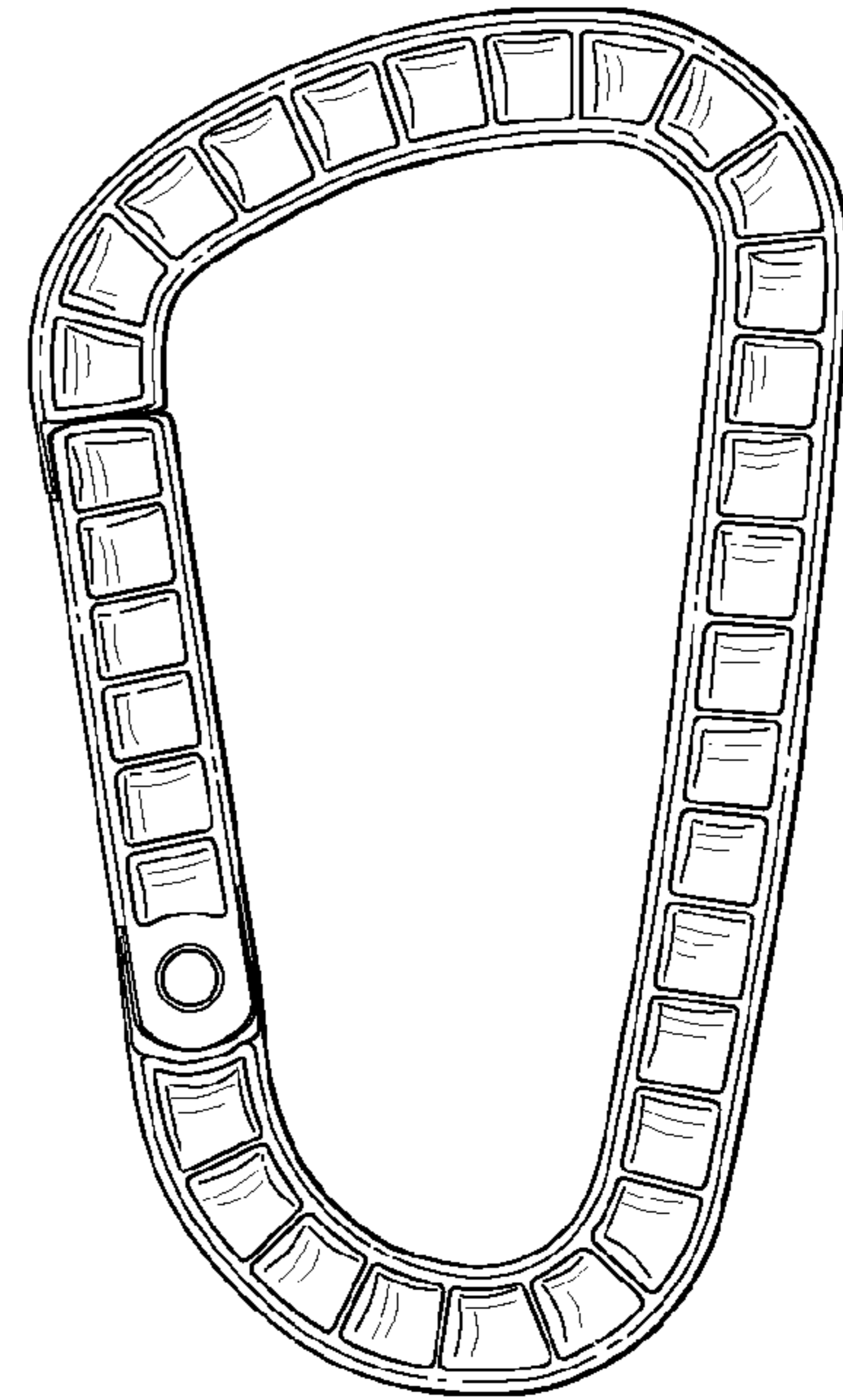


FIG. 2

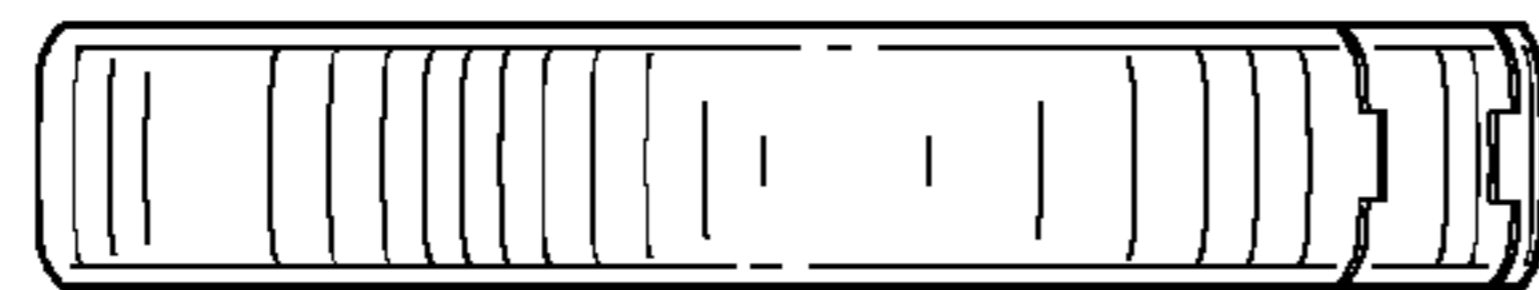


FIG. 6

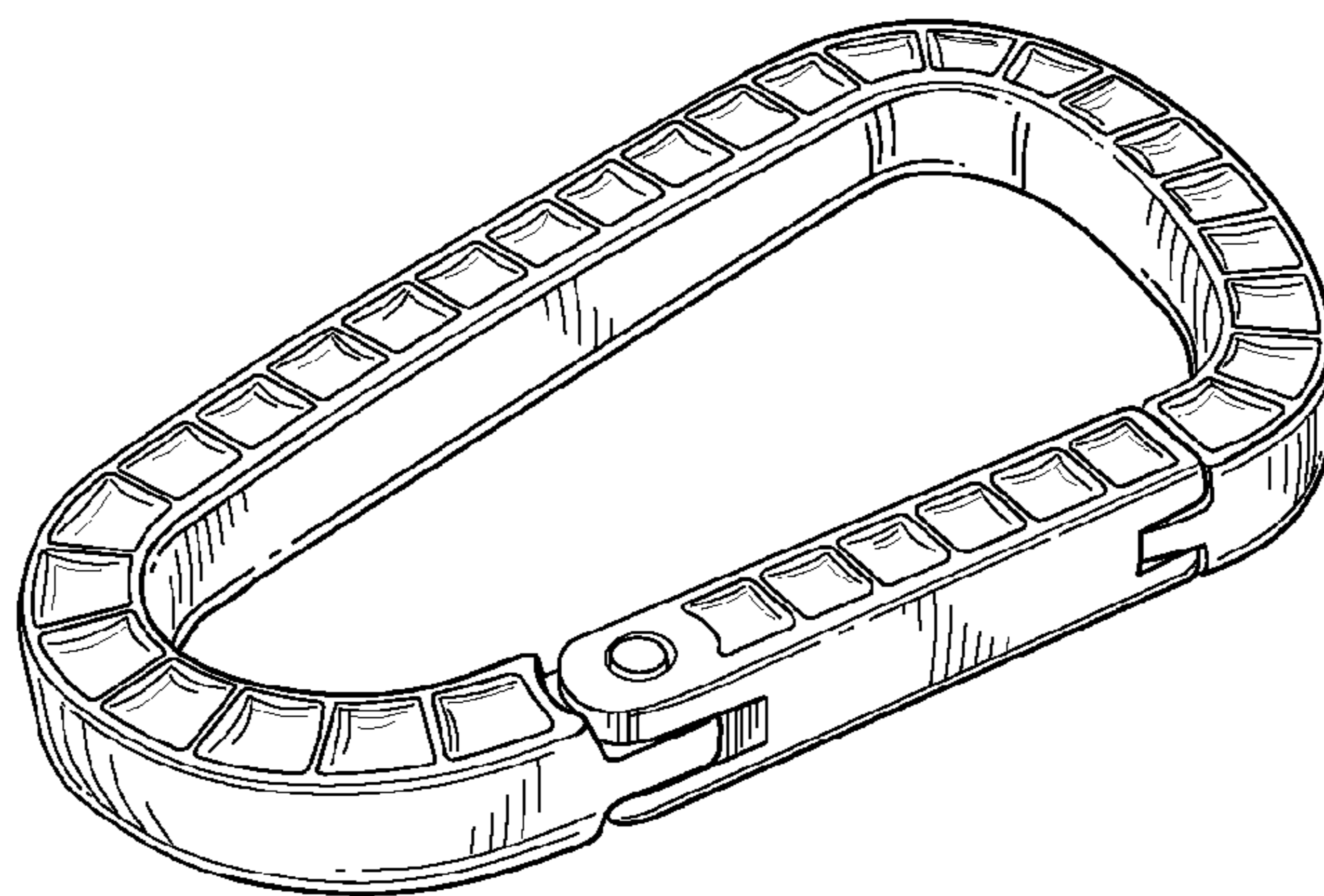


FIG. 7