

US00D614935S

(12) **United States Design Patent**  
**Kiraly**

(10) **Patent No.:** **US D614,935 S**

(45) **Date of Patent:** **\*\* \*May 4, 2010**

(54) **SELF CLOSING HINGE**

(75) Inventor: **Dezso Kiraly**, Meadowbank (AU)

(73) Assignee: **D&D Group Pty Ltd**, Frenchs Forest, NSW (AU)

(\*) Notice: This patent is subject to a terminal disclaimer.

(\*\*) Term: **14 Years**

(21) Appl. No.: **29/263,733**

(22) Filed: **Jul. 28, 2006**

(30) **Foreign Application Priority Data**

Jan. 31, 2006 (AU) ..... 10311/06

(51) **LOC (9) Cl.** ..... **08-06**

(52) **U.S. Cl.** ..... **D8/323**

(58) **Field of Classification Search** ..... D8/323-329, D8/354, 356, 371; 16/221, 234-237, 239-241, 16/245-246, 249, 254, 261, 262, 265, 272, 16/277, 307, 309, 316, 319, 327-330, 335, 16/339, 342, 379, 381-389, DIG. 13, DIG. 40, 16/DIG. 43; 248/200, 221.11, 300, 309.1, 248/317

See application file for complete search history.

(56) **References Cited**

**U.S. PATENT DOCUMENTS**

17,354 A \* 5/1857 Smith ..... 16/256

29,212 A 7/1860 Acker  
137,951 A \* 4/1873 Palmer ..... 16/300  
RE5,932 E \* 6/1874 Acker ..... 16/300

(Continued)

**FOREIGN PATENT DOCUMENTS**

AU 63251/60 5/1963

(Continued)

*Primary Examiner*—Susan Bennett Hattan

*Assistant Examiner*—Karen Acker

(74) *Attorney, Agent, or Firm*—Fulwider Patton LLP

(57) **CLAIM**

The ornamental design for a self closing hinge, as shown and described.

**DESCRIPTION**

FIG. 1 is a front perspective view;

FIG. 2 is a back perspective view;

FIG. 3 is a front view;

FIG. 4 is a back view;

FIG. 5 is a side view;

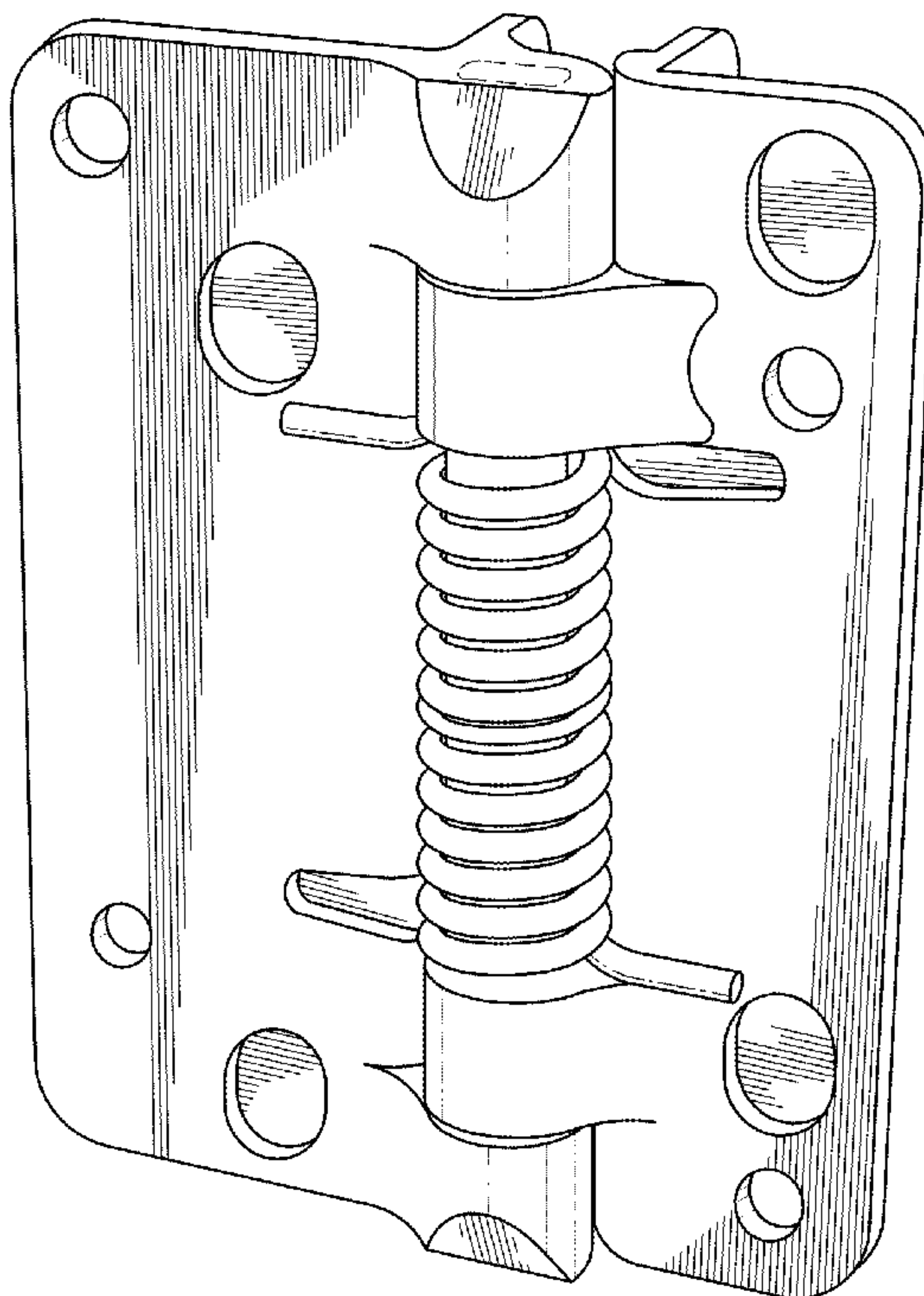
FIG. 6 is the other side view;

FIG. 7 is a top view; and,

FIG. 8 is a bottom view.

The broken lines in the drawing represent unclaimed environmental material.

**1 Claim, 6 Drawing Sheets**



# US D614,935 S

Page 2

## U.S. PATENT DOCUMENTS

391,433 A \* 10/1888 Stover ..... 16/300  
631,797 A \* 8/1899 Krause ..... 16/256  
776,153 A \* 11/1904 Swacick ..... 16/256  
887,548 A \* 5/1908 Trumble ..... 16/307  
926,520 A \* 6/1909 Thornton et al. .... 16/50  
971,281 A \* 9/1910 Keene et al. .... 16/301  
1,185,503 A \* 5/1916 Harsh ..... 16/257  
1,586,615 A \* 6/1926 Elliott ..... 16/298  
1,883,506 A \* 10/1932 Bommer ..... 16/301  
1,892,584 A \* 12/1932 Olson ..... 16/307  
2,597,174 A \* 5/1952 Patton et al. .... 49/398  
3,316,582 A 5/1967 Johnson et al.  
3,538,538 A \* 11/1970 Field ..... 16/301  
3,825,973 A 7/1974 Gwozdz  
3,903,567 A \* 9/1975 Suska ..... 16/301  
3,965,533 A 6/1976 Frohlich  
4,073,038 A 2/1978 Curry et al.

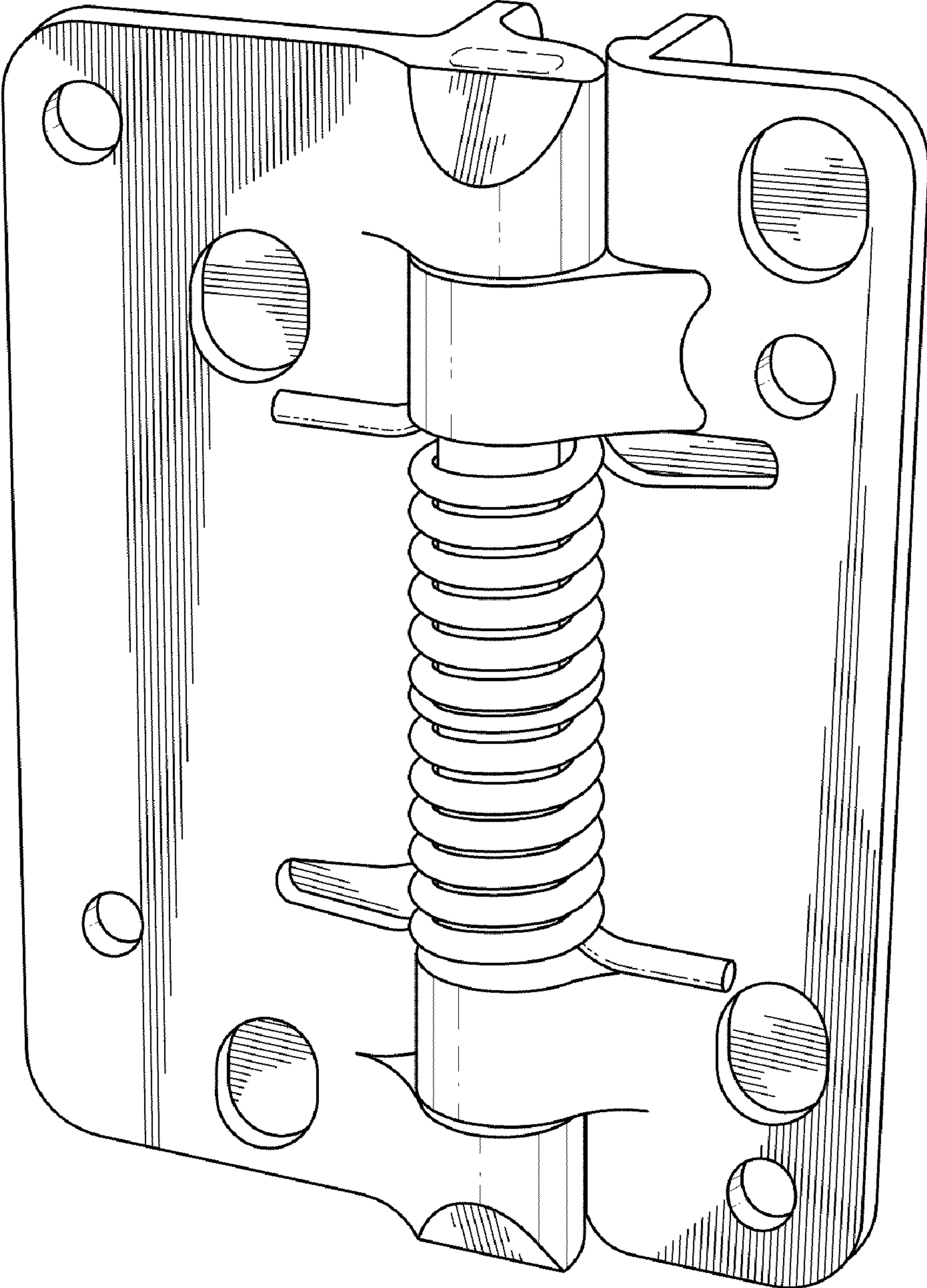
4,339,845 A \* 7/1982 Newlon et al. .... 16/300  
4,583,262 A 4/1986 Werner  
4,751,765 A 6/1988 Wu  
4,817,242 A 4/1989 Rapp  
4,962,567 A \* 10/1990 Dixon ..... 16/319  
5,572,768 A \* 11/1996 Daul ..... 16/49  
5,715,574 A \* 2/1998 Schall ..... 16/301  
6,460,220 B1 \* 10/2002 Jackson ..... 16/285  
6,732,408 B2 \* 5/2004 Wu ..... 16/298

## FOREIGN PATENT DOCUMENTS

DE 1961736 6/1971  
GB 759211 10/1956  
GB 1382227 1/1975  
GB 2006892 \* 5/1990  
GB 2010086 \* 10/1990

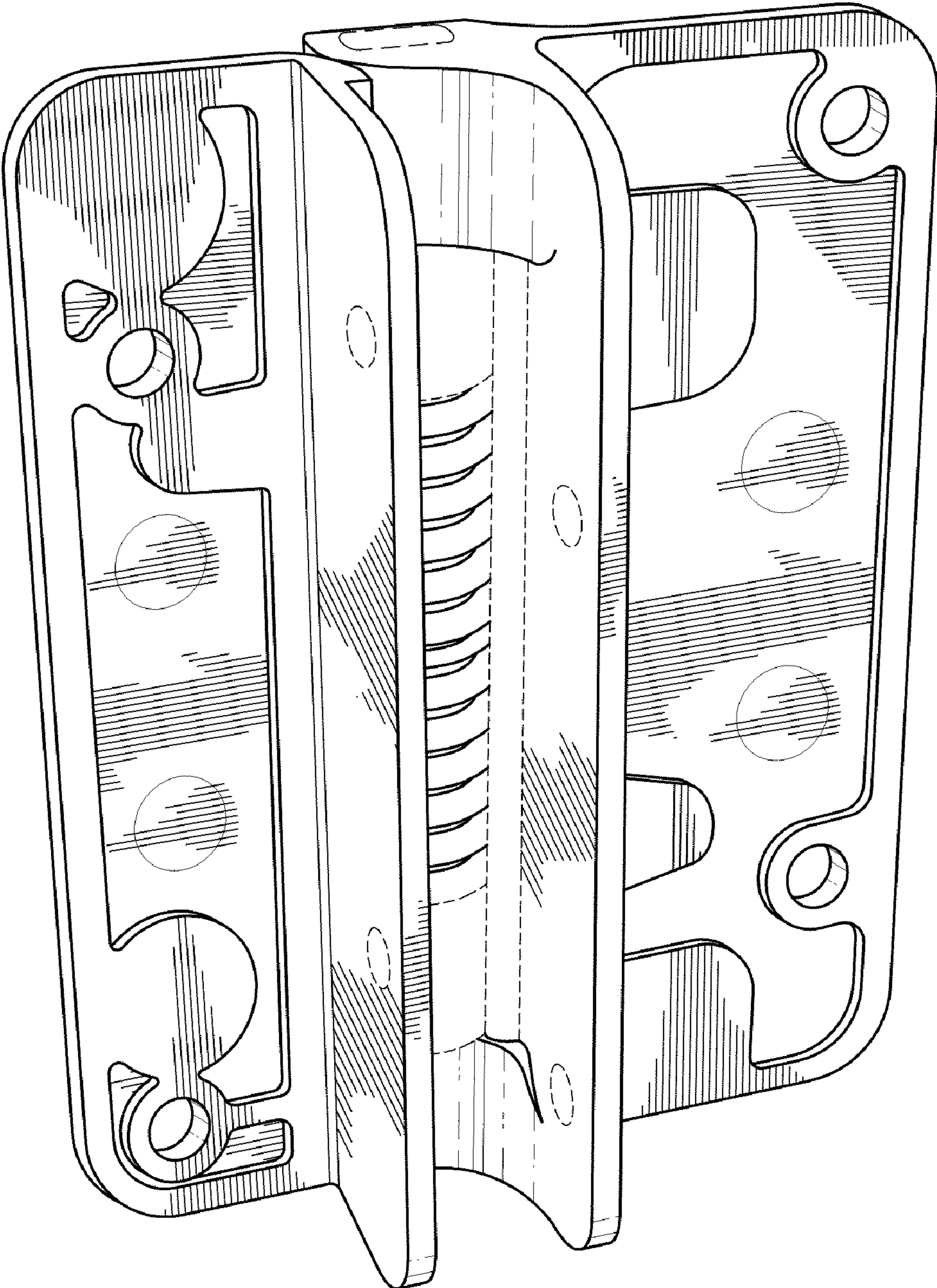
\* cited by examiner

*FIG. 1*





*FIG. 2*



*FIG. 3*

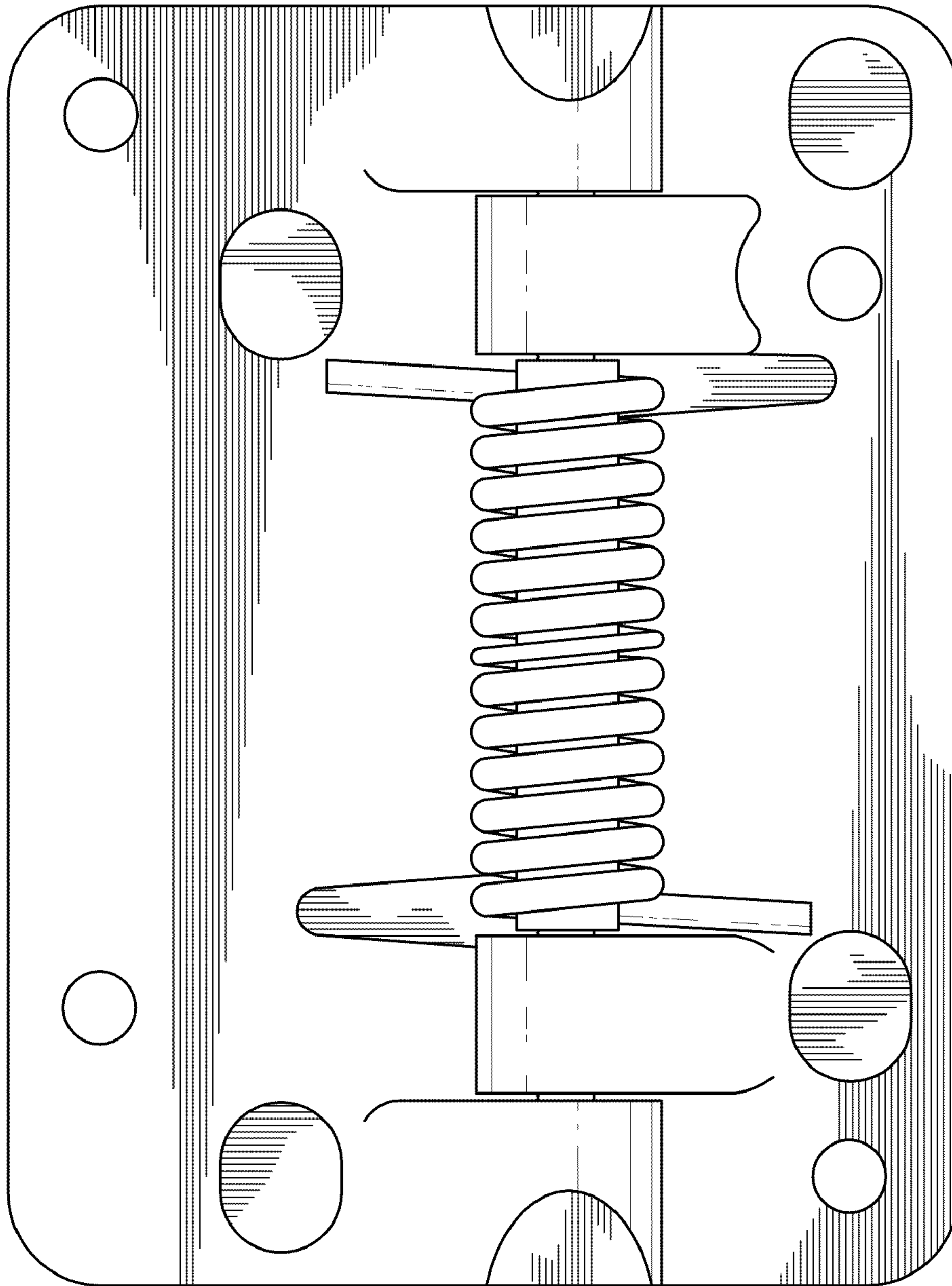
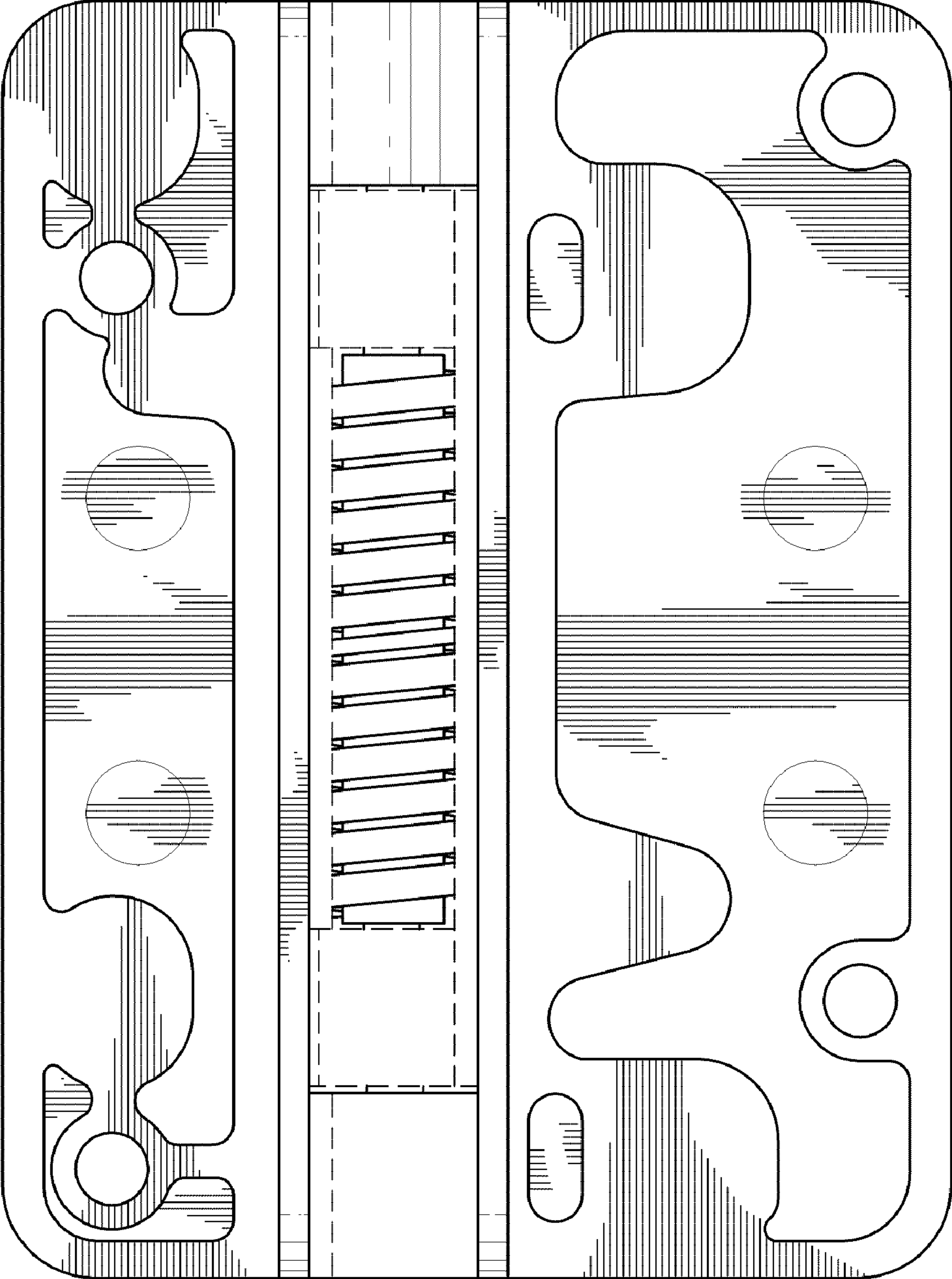


FIG. 4





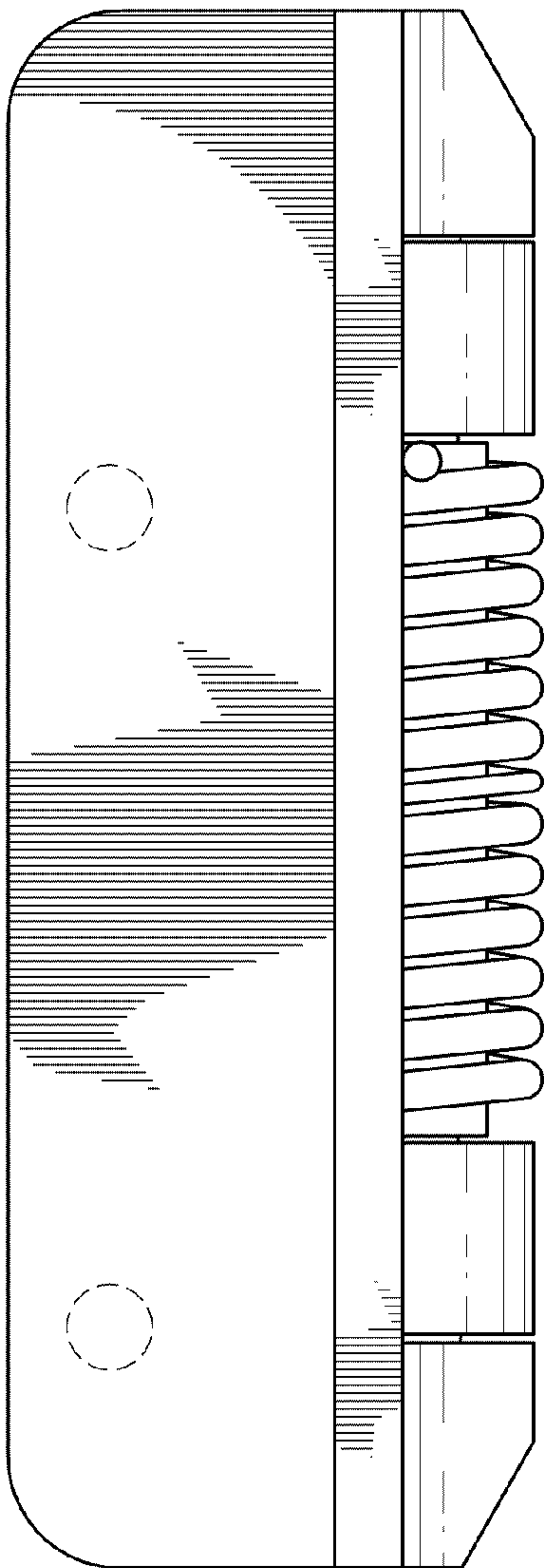


FIG. 5

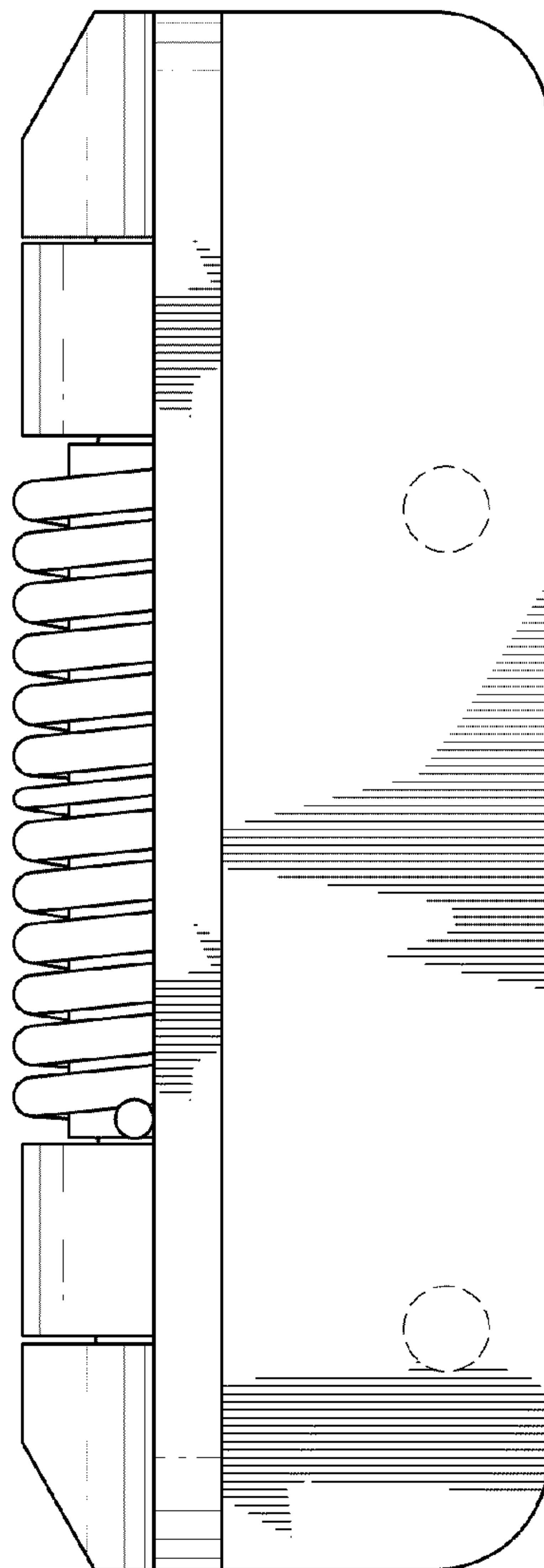
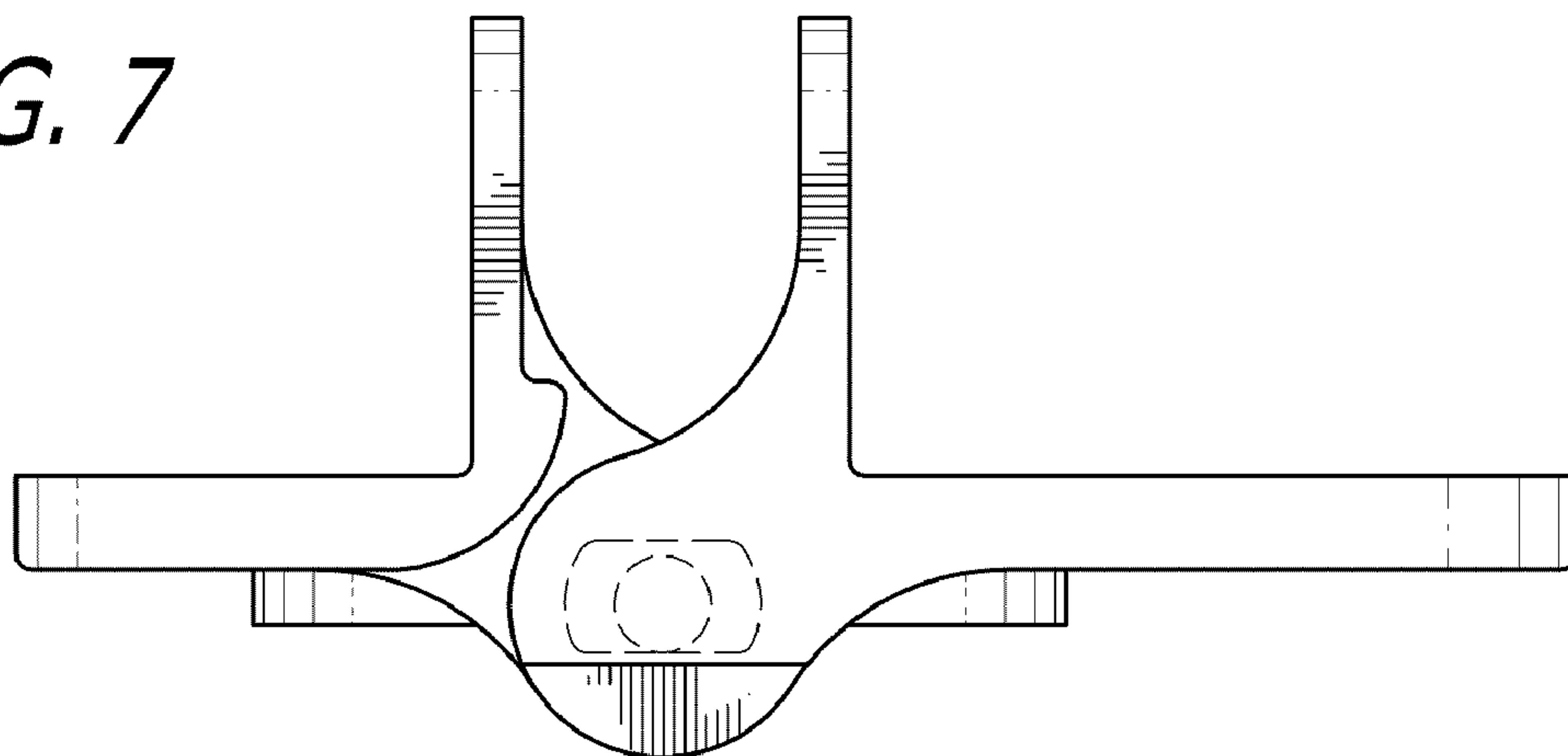


FIG. 6

*FIG. 7*



*FIG. 8*

