



US00D614933S

(12) **United States Design Patent**
Freeman et al.

(10) **Patent No.:** **US D614,933 S**

(45) **Date of Patent:** **** May 4, 2010**

(54) **KNIFE HANDLE**

(75) Inventors: **Jeffrey Freeman**, Tigard, OR (US);
Darrin Seeds, Vancouver, WA (US)

(73) Assignee: **Fiskars Brands, Inc.**, Madison, WI (US)

(**) Term: **14 Years**

(21) Appl. No.: **29/316,495**

(22) Filed: **Oct. 2, 2009**

(51) **LOC (9) Cl.** **08-05**

(52) **U.S. Cl.** **D8/107; D8/99**

(58) **Field of Classification Search** D8/52,
D8/54-56, 58, 95-99, 17; D22/118; D4/138;
D32/40, 46, 49, 51; D15/18, 70, 142; 81/342,
81/367, 370, 418, 420, 424.5, 427.5, 380,
81/390, 324, 486, 489, 415-419, DIG. 9,
81/300, 302; 30/151-162, 329, 330, 511-517,
30/519; 294/54.5, 49, 51, 53.5, 55; 16/11 R,
16/111 R, 110.1, 430-431, 421-422, 426

See application file for complete search history.

(56) **References Cited**

U.S. PATENT DOCUMENTS

294,558 A	3/1884	Wingfield
336,314 A	2/1886	Hatfield
361,315 A	4/1887	Nuessle
842,173 A	1/1907	Carman
1,018,210 A	2/1912	Segel et al.
1,357,398 A	11/1920	Haywood
1,418,683 A	6/1922	Stevens
1,728,619 A	9/1929	Lambert
1,931,773 A	10/1933	Sobol
2,137,800 A	11/1938	Davey
2,421,339 A	5/1947	Leger

2,520,355 A	8/1950	Bell
3,266,081 A	8/1966	Heim
3,315,356 A	4/1967	Swanke et al.
3,418,713 A	12/1968	Bauer
D226,410 S	2/1973	Kunze
D227,071 S	6/1973	Bernadotte et al.

(Continued)

OTHER PUBLICATIONS

Pacific Knife, available at least as early as Sep. 2006, 1 page, Chris Reeve Knives®.

(Continued)

Primary Examiner—Cathron C Brooks

Assistant Examiner—Barbara Fox

(74) *Attorney, Agent, or Firm*—Foley & Lardner LLP

(57)

CLAIM

We claim the ornamental design for a knife handle, as shown and described.

DESCRIPTION

FIG. 1 is a perspective view of a knife handle showing the claimed design;

FIG. 2 is a front view of the claimed design.

FIG. 3 is a rear view of the claimed design.

FIG. 4 is a left side view of the claimed design.

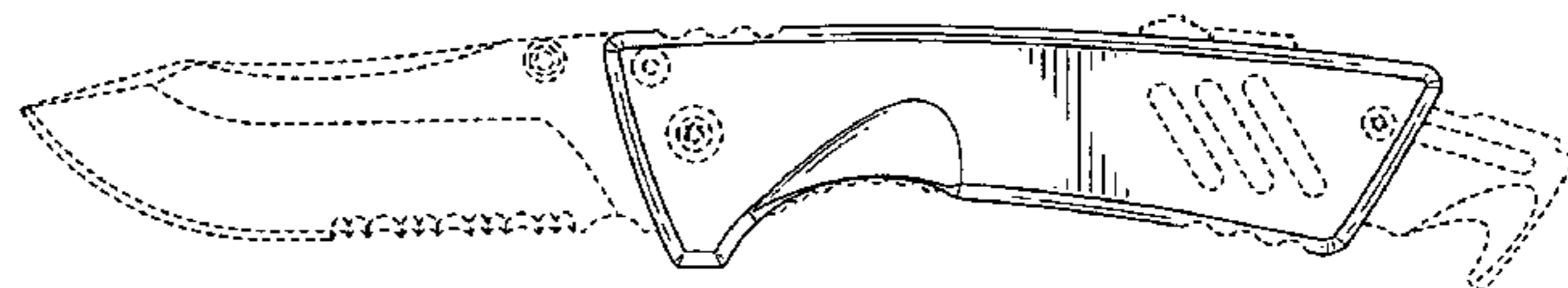
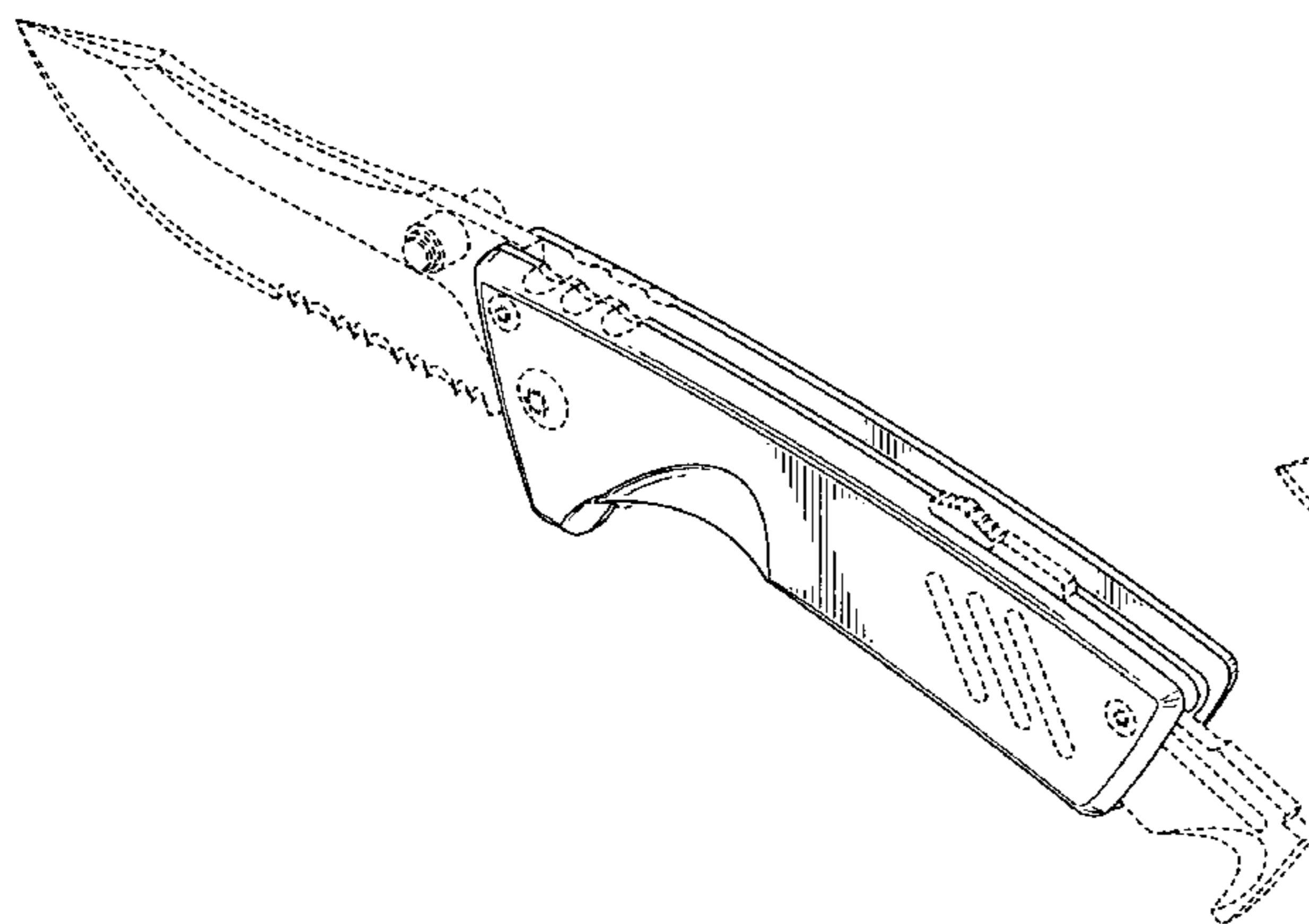
FIG. 5 is a top view of the claimed design.

FIG. 6 is a right side view of the claimed design; and,

FIG. 7 is a bottom view of the claimed design.

The broken lines shown in the drawings represent environmental structure and form no part of the claimed design.

1 Claim, 2 Drawing Sheets



US D614,933 S

Page 2

U.S. PATENT DOCUMENTS					
3,750,283	A	8/1973	Hoffman	D366,408	S 1/1996 Sessions et al.
D230,696	S	3/1974	Evrell et al.	5,511,310	A 4/1996 Sessions et al.
3,839,788	A	10/1974	Addis	D371,289	S 7/1996 Huang
3,872,572	A	3/1975	Hahn	5,553,386	A 9/1996 Hsu
3,942,249	A	3/1976	Poehlmann	5,581,893	A 12/1996 Ouellette
3,943,934	A	3/1976	Bent	D384,871	S 10/1997 McWillis
3,977,079	A	8/1976	Rebold	D389,718	S 1/1998 Wegner
4,011,657	A	3/1977	Vance	5,729,904	A 3/1998 Trott
4,028,806	A	6/1977	Sheldon	D407,004	S * 3/1999 Hull et al. D8/99
4,068,375	A	1/1978	Rathbun et al.	5,878,500	A 3/1999 Emerson
4,133,106	A	1/1979	Addis	D407,961	S 4/1999 Balolia
4,145,808	A	3/1979	Walsh	D412,275	S 7/1999 Collins
D252,182	S	6/1979	Poehlmann	5,926,959	A 7/1999 Collins
4,170,061	A	10/1979	Henry	D413,503	S 9/1999 Dugdale
4,173,071	A	11/1979	Ishida	D428,789	S 8/2000 McHenry et al.
4,184,248	A	1/1980	Wolfe	6,131,292	A 10/2000 Reddig
D256,983	S	9/1980	Fogle	D433,913	S 11/2000 Pardue
4,233,737	A	11/1980	Poehlmann	6,148,522	A 11/2000 Dobandi
4,249,306	A	2/1981	Benson	D435,400	S * 12/2000 Veltz et al. D7/649
4,265,017	A	5/1981	Collins	D438,443	S 3/2001 Keating
4,327,465	A	5/1982	Moritsch	D442,461	S 5/2001 Glesser
4,330,937	A	5/1982	Cope	6,260,281	B1 7/2001 Okumura et al.
4,347,665	A	9/1982	Glesser	6,263,581	B1 7/2001 Forte
4,391,043	A	7/1983	Sizemore et al.	6,289,592	B1 9/2001 Emerson
4,404,748	A	9/1983	Wiethoff	6,308,418	B1 10/2001 Sweet
4,408,394	A	10/1983	Phelps	6,330,749	B1 12/2001 Khachatoorian et al.
4,411,068	A	10/1983	Theodorides	6,367,154	B2 4/2002 Degabli
4,452,289	A	6/1984	Smith	D461,387	S 8/2002 Glesser
4,478,532	A	10/1984	Puro	D473,917	S * 4/2003 Carter, III D22/118
4,509,260	A	4/1985	Gringer	D478,493	S * 8/2003 Martone et al. D8/99
D280,287	S	8/1985	Collins	6,638,290	B2 10/2003 Pascaloff et al.
4,535,539	A	8/1985	Friedman et al.	6,763,747	B1 7/2004 Gierer et al.
4,570,341	A	2/1986	Konneker	D528,895	S 9/2006 Ping
4,578,864	A	4/1986	Hoffman	7,174,590	B1 2/2007 Quenzi
4,670,984	A	6/1987	Rickard	D541,128	S * 4/2007 Farland D8/99
4,716,653	A	1/1988	Skyba	7,234,241	B2 6/2007 Chu
4,757,612	A	7/1988	Peyrot	D553,468	S 10/2007 Freeman
4,761,882	A	8/1988	Silverstein	D560,998	S * 2/2008 Farland D8/99
D298,211	S	10/1988	Coburn	D561,554	S 2/2008 Taylor
D299,413	S	1/1989	DeCarolis	D581,241	S 11/2008 Freeman
4,805,303	A	2/1989	Gibbs	D582,243	S * 12/2008 Freeman et al. D8/107
4,817,284	A	4/1989	Sacherman et al.	2003/0079353	A1 5/2003 Lovell et al.
4,825,552	A	5/1989	Bendickson et al.	2004/0158991	A1 8/2004 Freeman
D302,649	S	8/1989	Porsche et al.	2005/0132576	A1 6/2005 Onion
D302,934	S	8/1989	Finn	2005/0252010	A1 11/2005 Freeman
D304,154	S	10/1989	Osterhout	2006/0080840	A1 4/2006 Freeman
D306,817	S	3/1990	McMorrough	2007/0227012	A1 * 10/2007 Constantine et al. 30/162
D307,383	S	4/1990	Huang	OTHER PUBLICATIONS	
4,918,820	A	4/1990	Korb et al.	Photograph of Prototype of Pacific Knife, available at least as early as Sep. 2006, 1 page.	
D307,702	S	5/1990	Hsu	Santiam™ II Fine Edge Knife, available at least as early as 2006, 1 page.	
4,947,552	A	8/1990	Barnes	Gerber Custom Series Knives, Gerber Legendary Blades, available at least as early as 1977, 1 page.	
4,949,457	A	8/1990	Burout, III	Smokey Mountain knife works catalog, 2003, pp. 9, 20, 21, 22, 23, 46, 47, 48, 64, 65.	
4,985,998	A	1/1991	Howard	Knife Center website, Gerber folding knives, available at least as early as May 15, 2007, 3 pages.	
4,989,320	A	2/1991	Borkott et al.	Knife Center website, Automatic opening knives, available at least as early as May 15, 2007, 2 pages.	
5,025,557	A	6/1991	Perreault	Photographs of knife handles, available at least as early as Jul. 26, 2006, 2 pages.	
D317,847	S	7/1991	Loveless	Gator® Exchange-A-Blade™ Saw, Product No. 6047, believed to have been available prior to May 17, 2004, 1 page.	
D321,820	S	11/1991	Russell	Katz Knives, Inc., Symbol of Quality Knives, Katz Knives Catalog, 2003, 2 pages.	
5,093,995	A	3/1992	Jan	Bladetradors, printed from website www.kershawknives.com on Mar. 18, 2004, 2 pages.	
5,111,581	A	5/1992	Collins	Safari Kit, printed from website www.katzknives.com on Mar. 18, 2004, 3 pages.	
5,131,149	A	7/1992	Thompson et al.	Bolt-Action Knives, Gerber Legendary Blades Catalog, 1994, 1 page.	
D332,383	S	1/1993	Hagler et al.	* cited by examiner	
5,250,063	A	10/1993	Abidin et al.		
5,283,954	A	2/1994	Szabo		
D345,289	S	3/1994	Sakai		
5,303,474	A	4/1994	Keklak et al.		
D347,375	S	5/1994	Sakai		
D348,818	S	7/1994	Hasegawa		
D351,328	S	10/1994	Hasegawa		
5,400,509	A	3/1995	Collins		
D357,166	S	4/1995	Concari		
D361,254	S	8/1995	Silberstein		

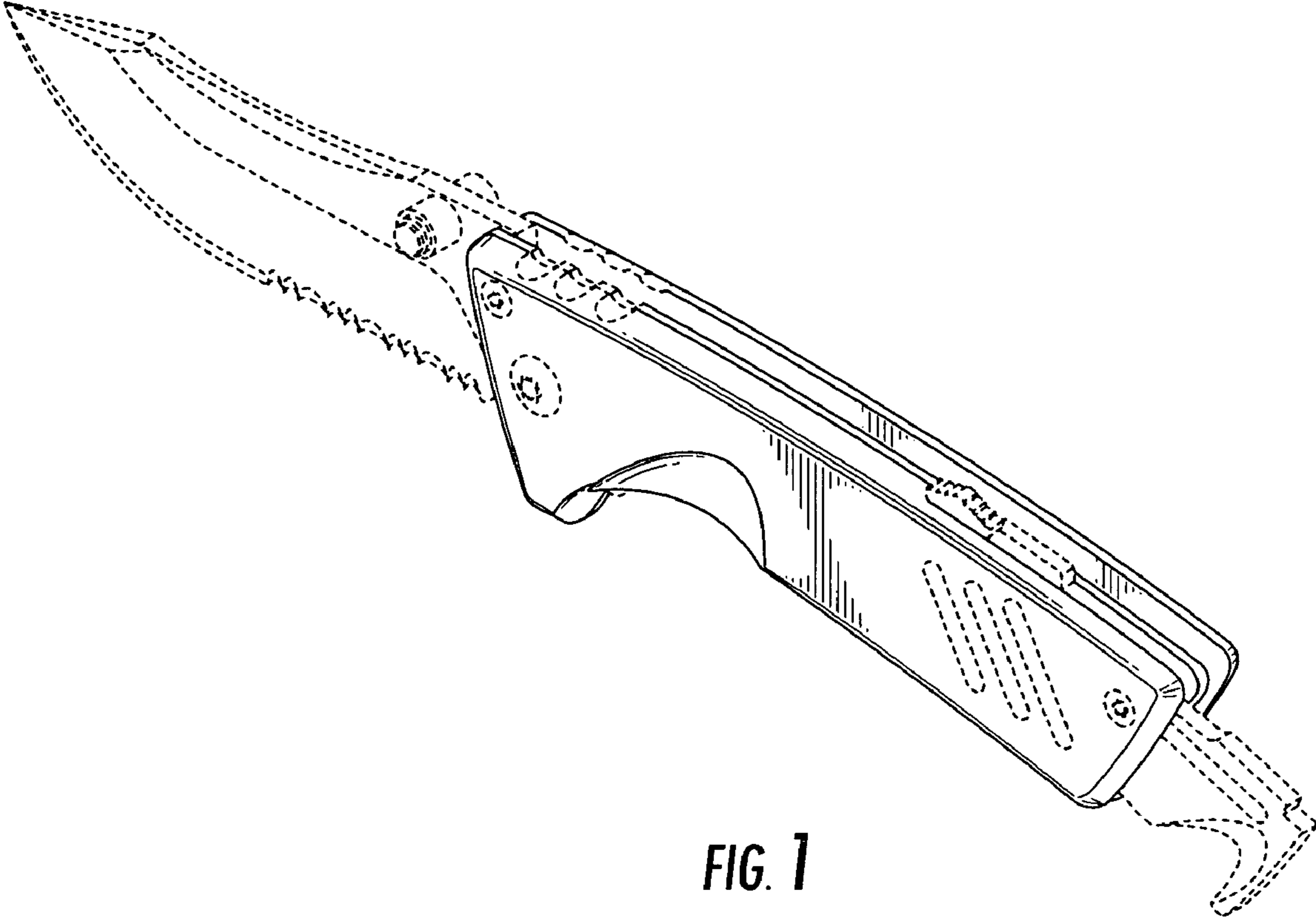


FIG. 1

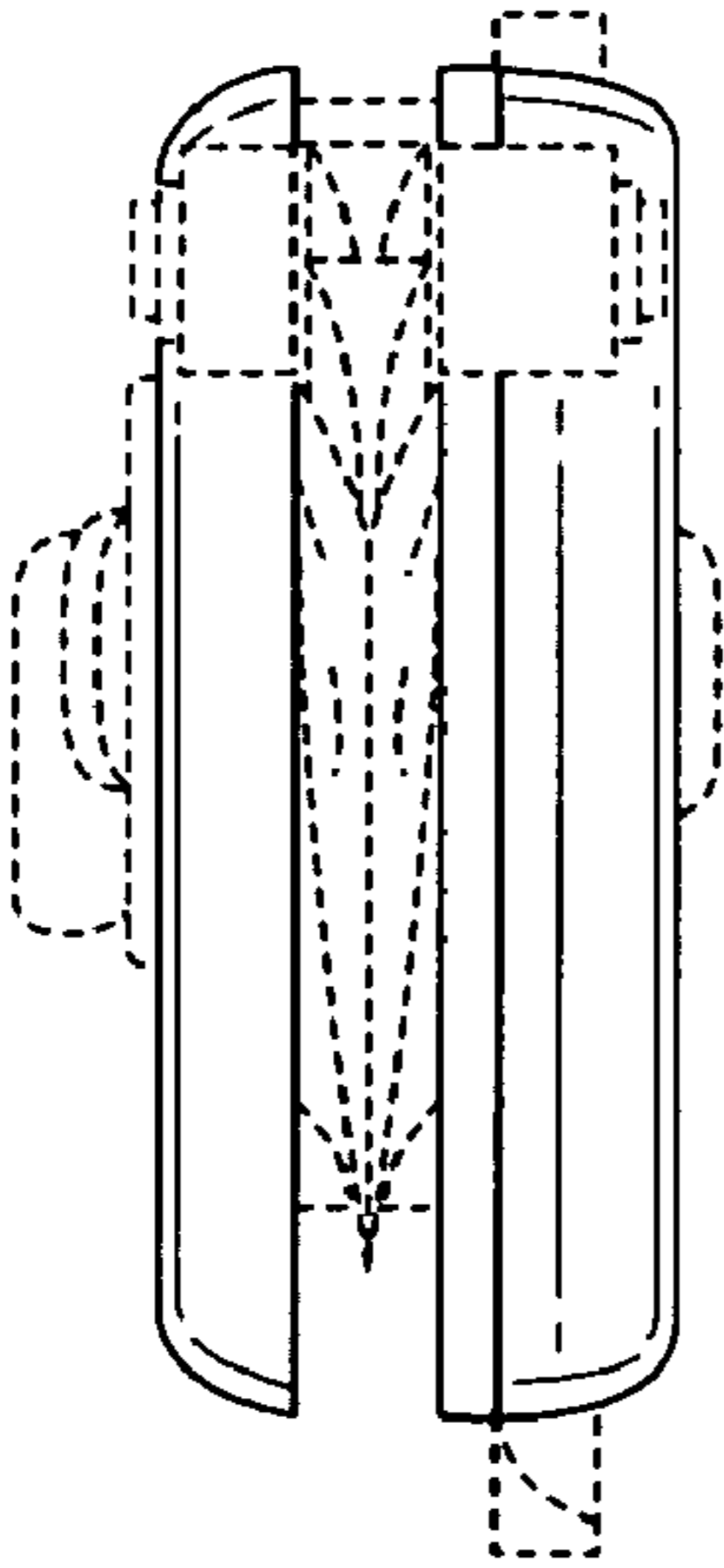


FIG. 2

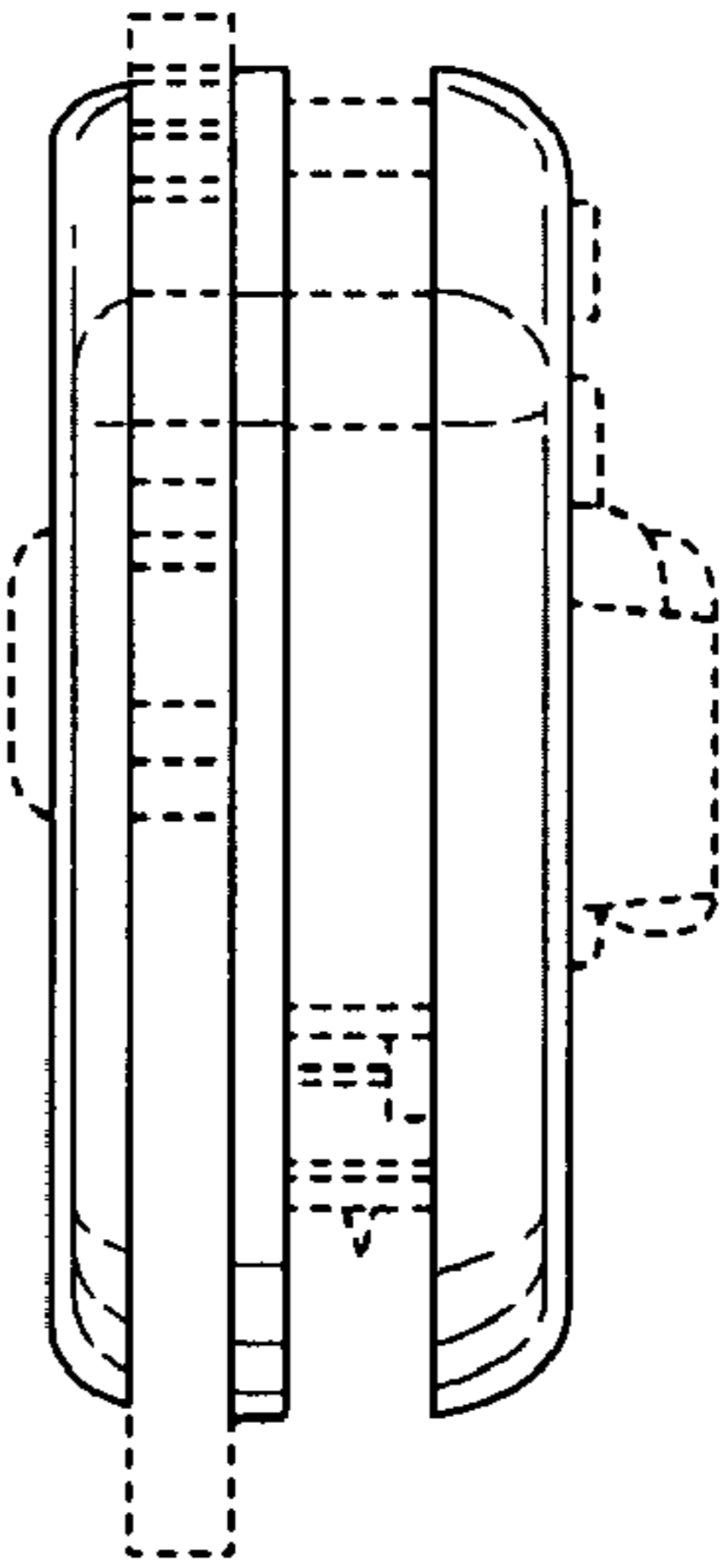


FIG. 3

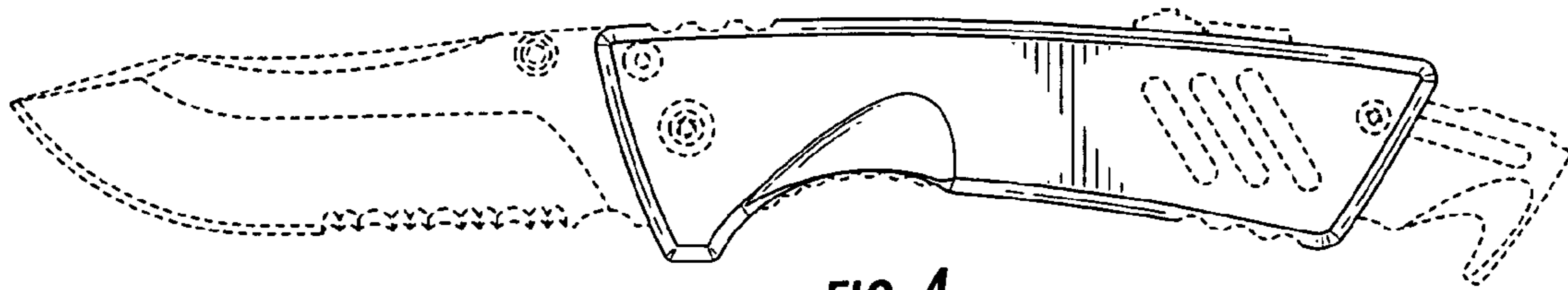


FIG. 4

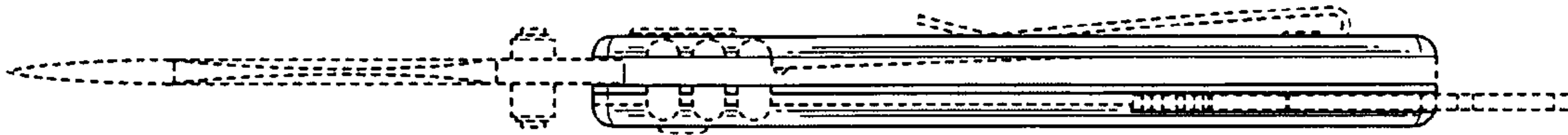


FIG. 5

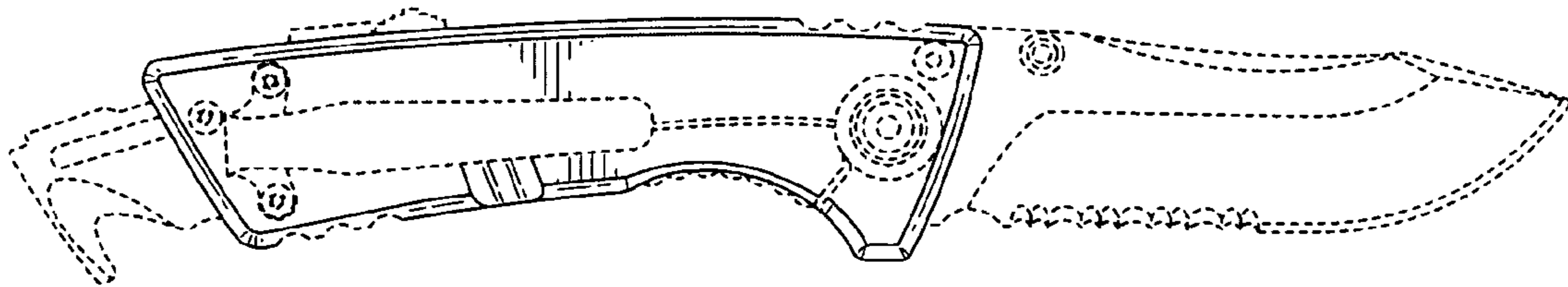


FIG. 6

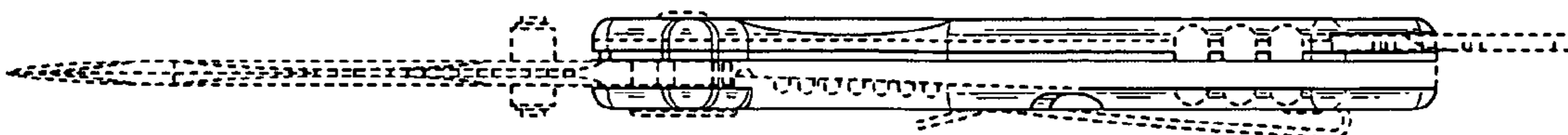


FIG. 7