



US00D614932S

(12) **United States Design Patent**  
**deBretton Gordon**

(10) **Patent No.:** **US D614,932 S**

(45) **Date of Patent:** **\*\* May 4, 2010**

(54) **KNIFE SHARPENER**

(75) Inventor: **Iain Paul deBretton Gordon,**  
Shipston-on-Stour (GB)

(73) Assignee: **Robert Welch Designs Limited,**  
Chipping Campden (GB)

(\*\*) Term: **14 Years**

(21) Appl. No.: **29/321,786**

(22) Filed: **Jul. 23, 2008**

(30) **Foreign Application Priority Data**

Jan. 25, 2008 (EM) ..... 000867460-0001

(51) **LOC (9) Cl.** ..... **08-05**

(52) **U.S. Cl.** ..... **D8/93**

(58) **Field of Classification Search** ..... D8/91,  
D8/92, 93, 94; 76/82, 84, 86, 88; 451/540,  
451/555, 557, 558, 559

See application file for complete search history.

(56) **References Cited**

**U.S. PATENT DOCUMENTS**

D331,688 S \* 12/1992 Busse ..... D8/63  
D332,210 S \* 1/1993 Linden ..... D8/93  
5,449,315 A \* 9/1995 Friel ..... 451/282  
D372,181 S \* 7/1996 Kelley ..... D8/93

D392,869 S \* 3/1998 Rieser ..... D8/93  
D402,523 S \* 12/1998 Thomas ..... D8/93  
D470,382 S \* 2/2003 Kurz ..... D8/93  
D481,285 S \* 10/2003 Moeller et al. .... D8/93  
D491,786 S \* 6/2004 Waltzer ..... D8/93  
D519,815 S \* 5/2006 Friel et al. .... D8/91  
D587,550 S \* 3/2009 Smith ..... D8/93

\* cited by examiner

*Primary Examiner*—Philip S Hyder

*Assistant Examiner*—Roselynn Cody

(74) *Attorney, Agent, or Firm*—MacMillan, Sobanski &  
Todd, LLC

(57) **CLAIM**

The ornamental design for a knife sharpener, as shown and described.

**DESCRIPTION**

FIG. 1 is a perspective view as seen from the upper left front of a knife sharpener showing my new design;

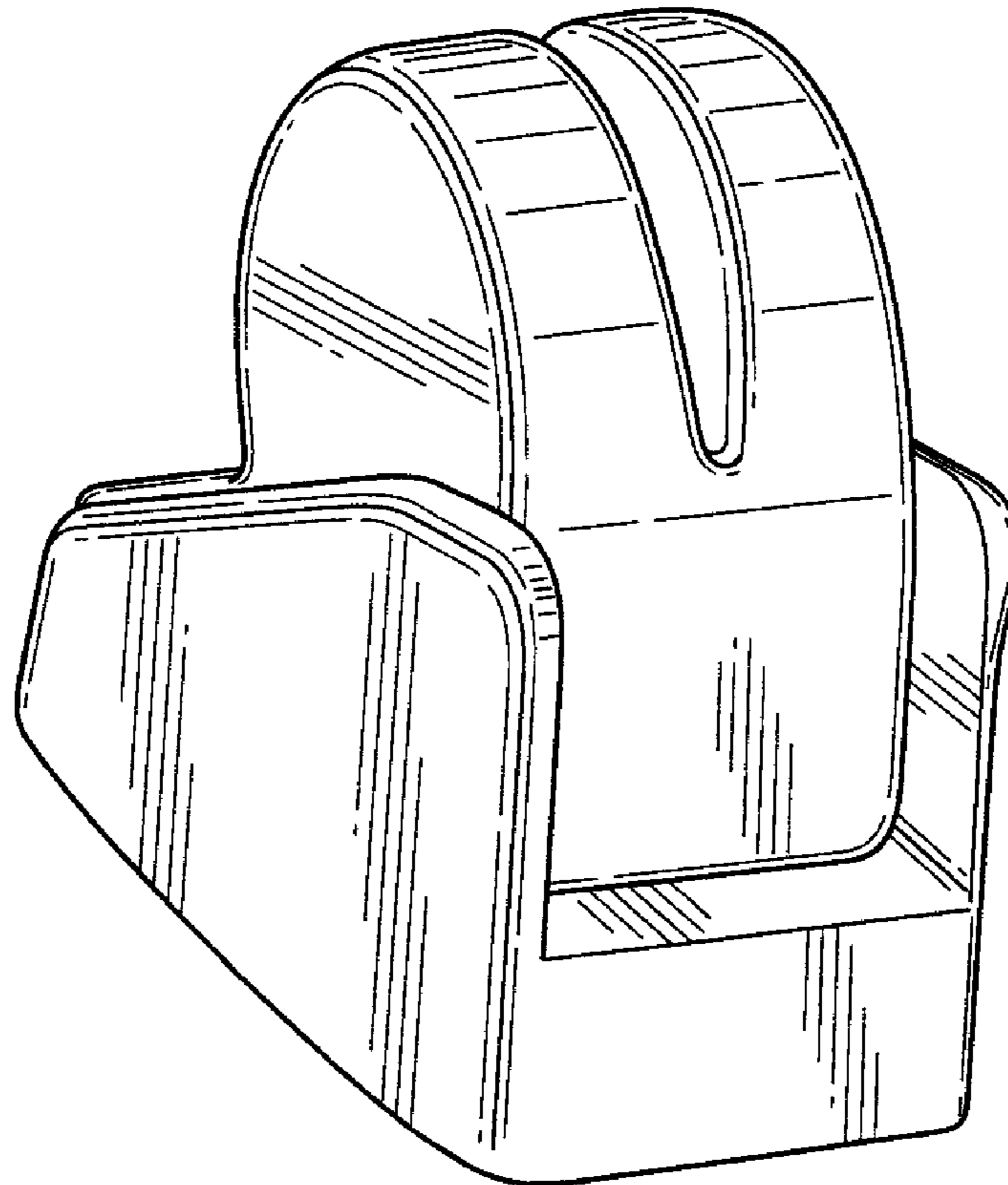
FIG. 2 is a top view thereof;

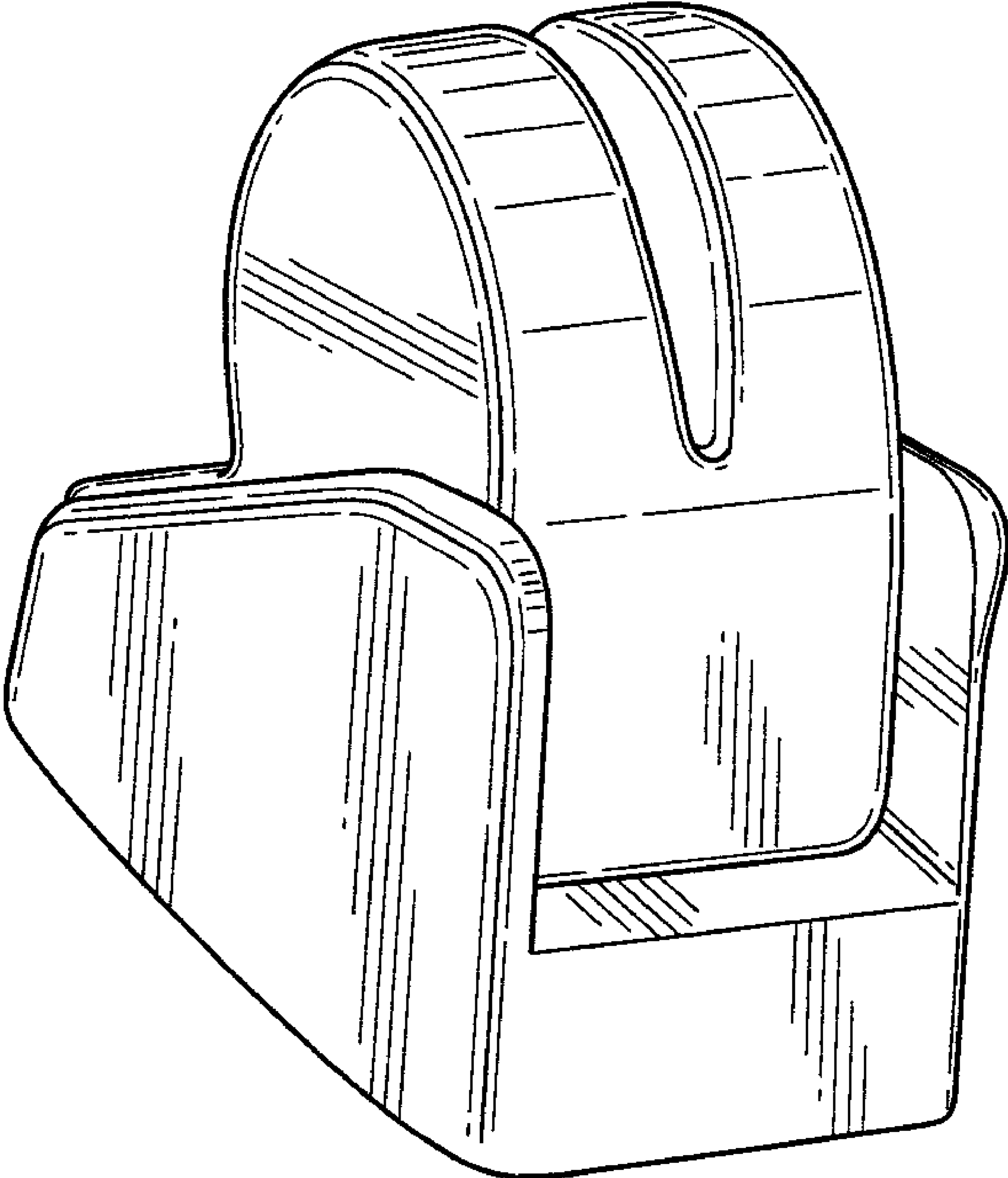
FIG. 3 is a left side view thereof, the right side being a mirror image of the left side;

FIG. 4 is a front view thereof; and,

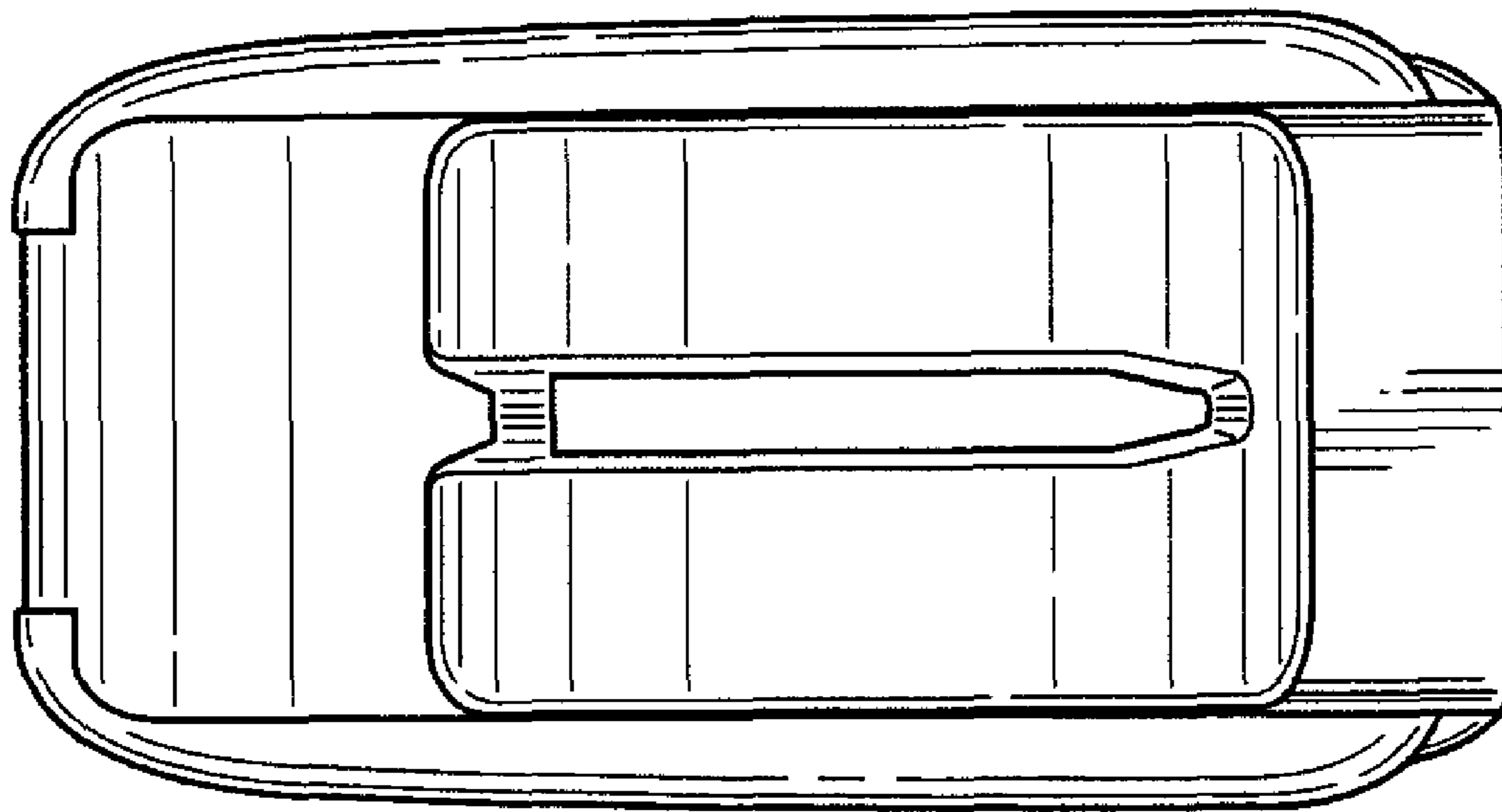
FIG. 5 is a bottom view thereof.

**1 Claim, 5 Drawing Sheets**

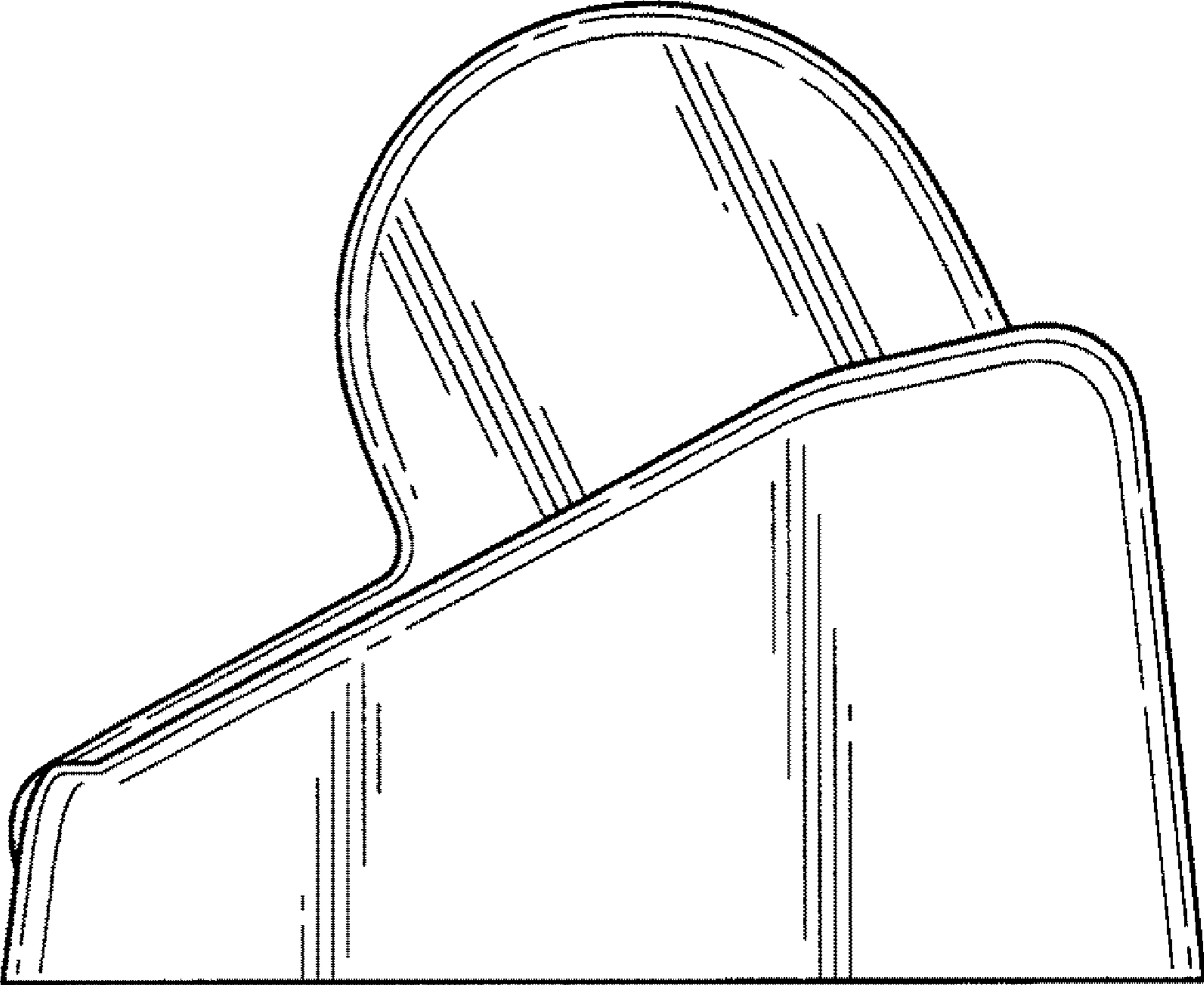




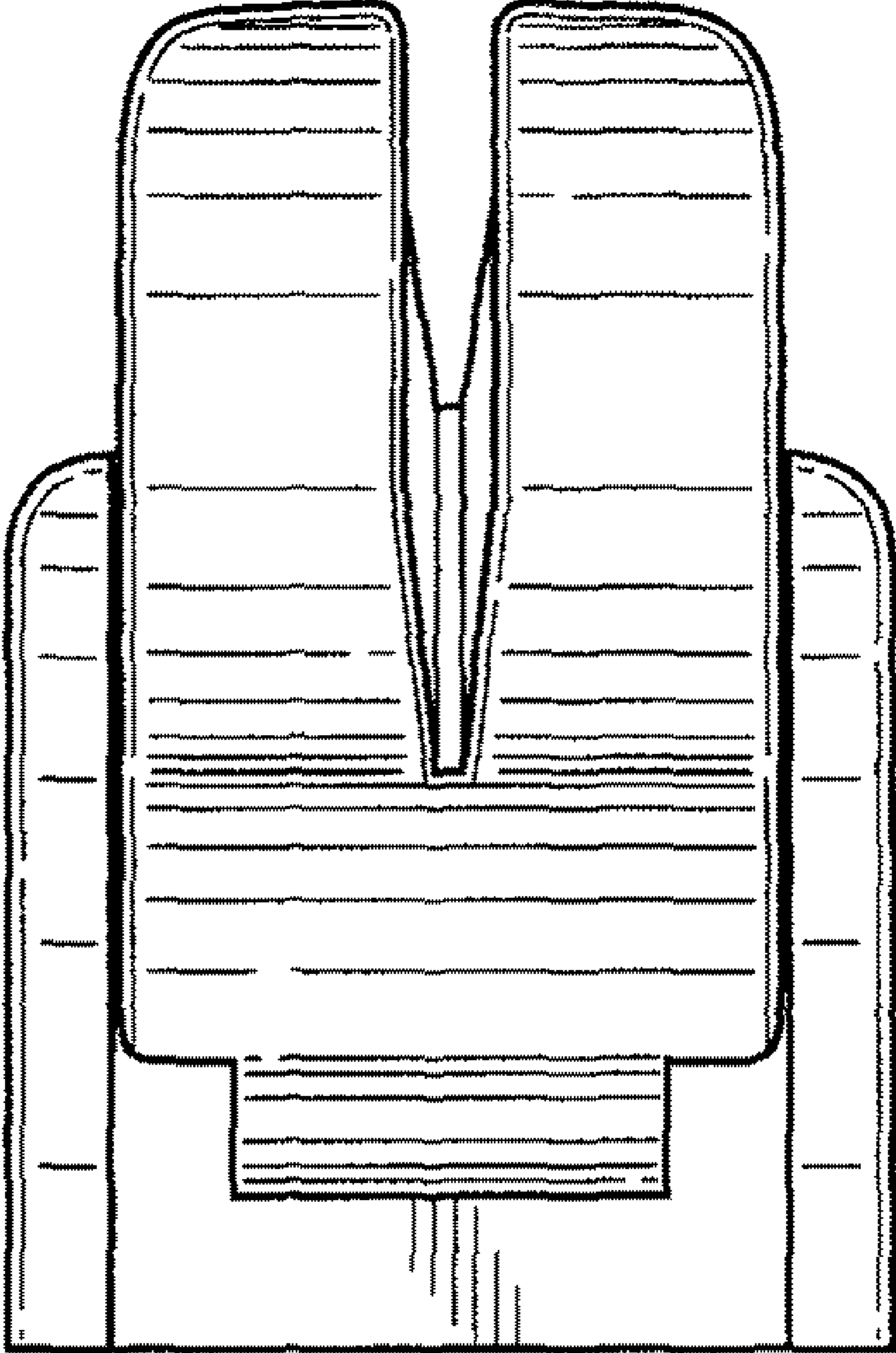
**FIG. 1**



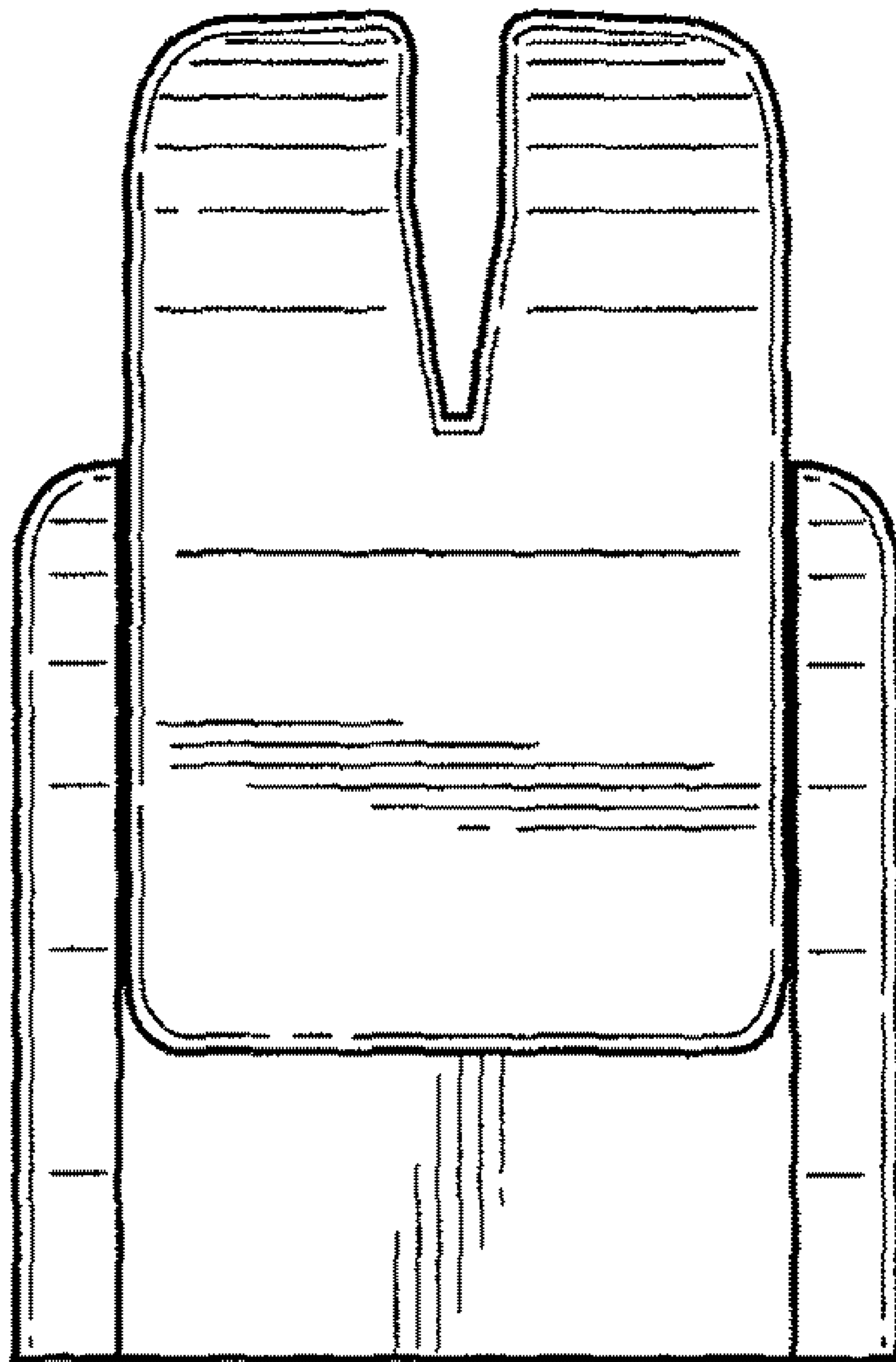
**FIG. 2**



**FIG. 3**



**FIG. 4**



**FIG. 5**