



US00D614929S

(12) **United States Design Patent**
Kobayashi

(10) **Patent No.:** **US D614,929 S**

(45) **Date of Patent:** **** May 4, 2010**

(54) **PLASTIC TUBE CUTTER**

(75) Inventor: **Sachio Kobayashi**, Tsu (JP)

(73) Assignee: **MCC Corporation**, Tsu-Shi (JP)

(**) Term: **14 Years**

(21) Appl. No.: **29/338,703**

(22) Filed: **Jun. 17, 2009**

(51) **LOC (9) Cl.** **08-03**

(52) **U.S. Cl.** **D8/60**

(58) **Field of Classification Search** D8/1,
D8/4, 5, 14, 51-60, 107; 30/92-108, 249-251
See application file for complete search history.

(56) **References Cited**

U.S. PATENT DOCUMENTS

4,084,317	A *	4/1978	Nakamura et al.	30/94
D252,666	S *	8/1979	Sakamoto	D8/60
RE30,613	E *	5/1981	Nakamura et al.	30/94
D270,514	S *	9/1983	Muromoto	D8/60
D276,496	S *	11/1984	Yokoyama	D8/52
D412,095	S *	7/1999	Tally	D8/60
D423,895	S *	5/2000	Azkona	D8/60
D453,287	S *	2/2002	Picaza	D8/60
6,513,245	B1 *	2/2003	Aubriot	30/92
D497,784	S *	11/2004	Picaza	D8/5
D547,141	S *	7/2007	Shan	D8/5
D574,678	S *	8/2008	Lin	D8/4
D578,851	S *	10/2008	Huang	D8/60
D581,233	S *	11/2008	Sullivan	D8/60
D583,208	S *	12/2008	Huang	D8/60

FOREIGN PATENT DOCUMENTS

JP	07-241391	A1	9/1995
JP	09-215875	A1	8/1997
JP	10-057639	A1	3/1998

JP	D1084712	7/2000
JP	D1088312	8/2000
JP	D1149112	6/2002
JP	D1327965	3/2008

OTHER PUBLICATIONS

“Design of pipe cutting scissors”, *Monthly Aqualife*, 7th Issue, Known-data-No. HA14009020, May 1, 2002, pp. 66 (with English translation as authored by Applicant’s Japanese representatives).

* cited by examiner

Primary Examiner—Cathron C Brooks

Assistant Examiner—Deanna Fluegeman

(74) *Attorney, Agent, or Firm*—Burr & Brown

(57) **CLAIM**

The ornamental design for a plastic tube cutter, as shown and described.

DESCRIPTION

FIG. 1 is front view of a plastic tube cutter illustrating my new design;

FIG. 2 is a rear view thereof;

FIG. 3 is a left side view thereof;

FIG. 4 is a right side view thereof;

FIG. 5 is a top plan view thereof;

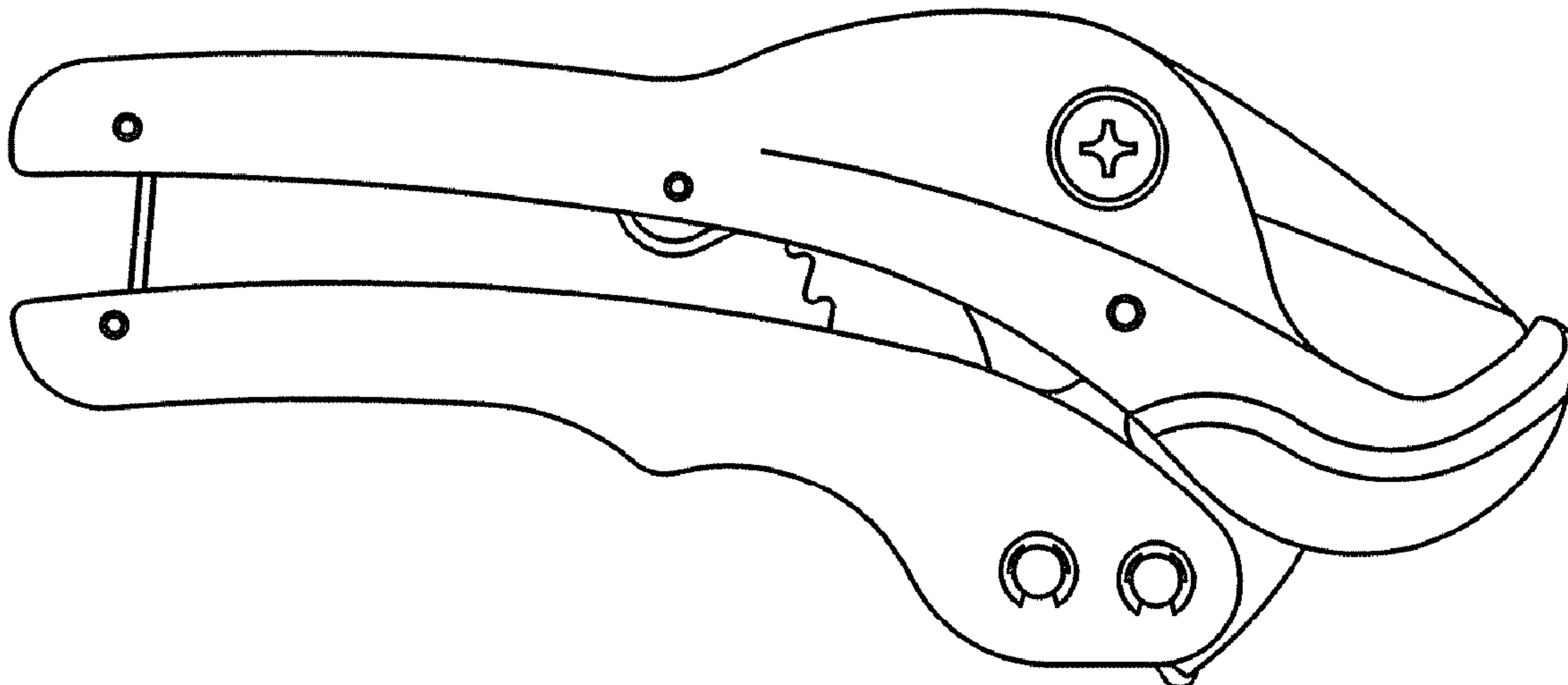
FIG. 6 is a bottom plan view thereof;

FIG. 7 is a top perspective view thereof; and,

FIG. 8 is a front view of the plastic tube cutter in an open position.

The broken line showing of the plastic tube in FIG. 8 is included for the purpose of illustrating unclaimed environment and forms no part of the claimed design.

1 Claim, 3 Drawing Sheets



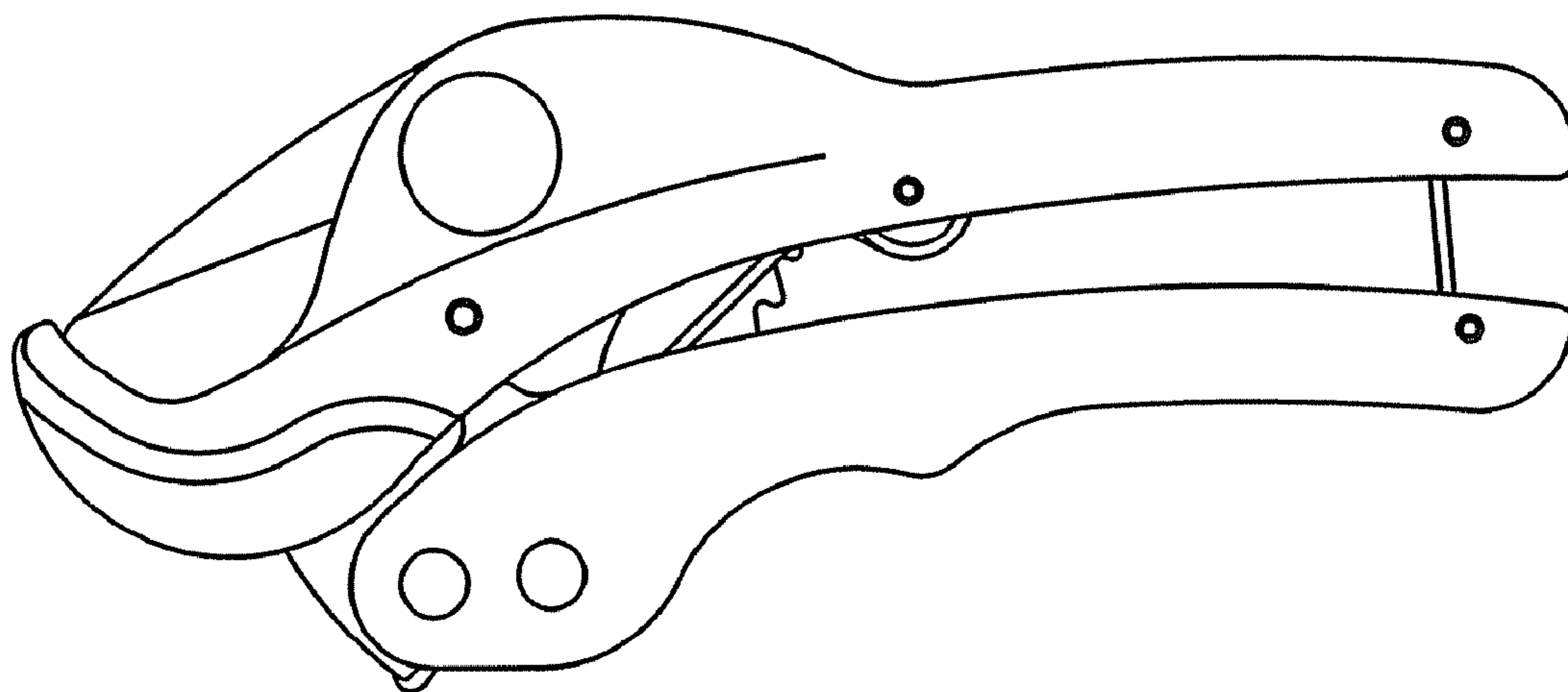


Fig. 1

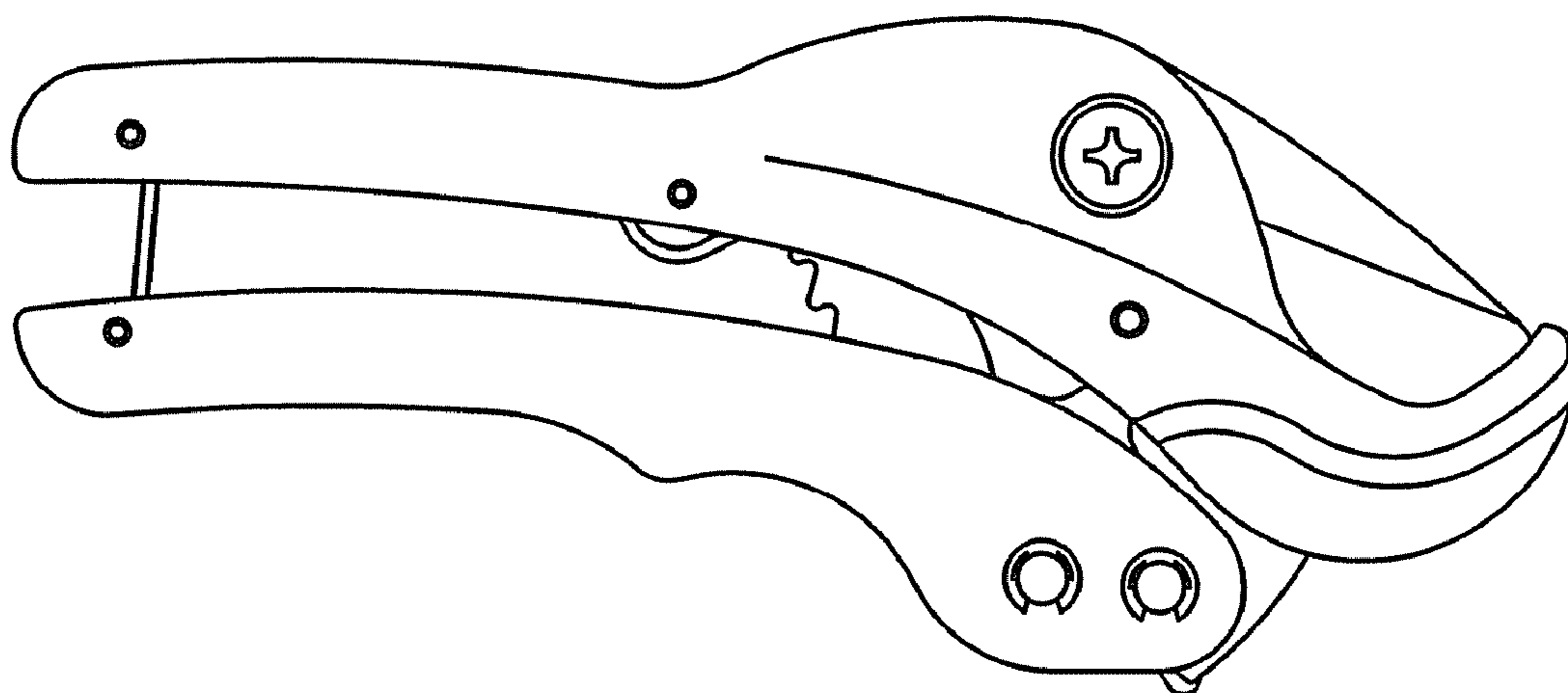


Fig. 2

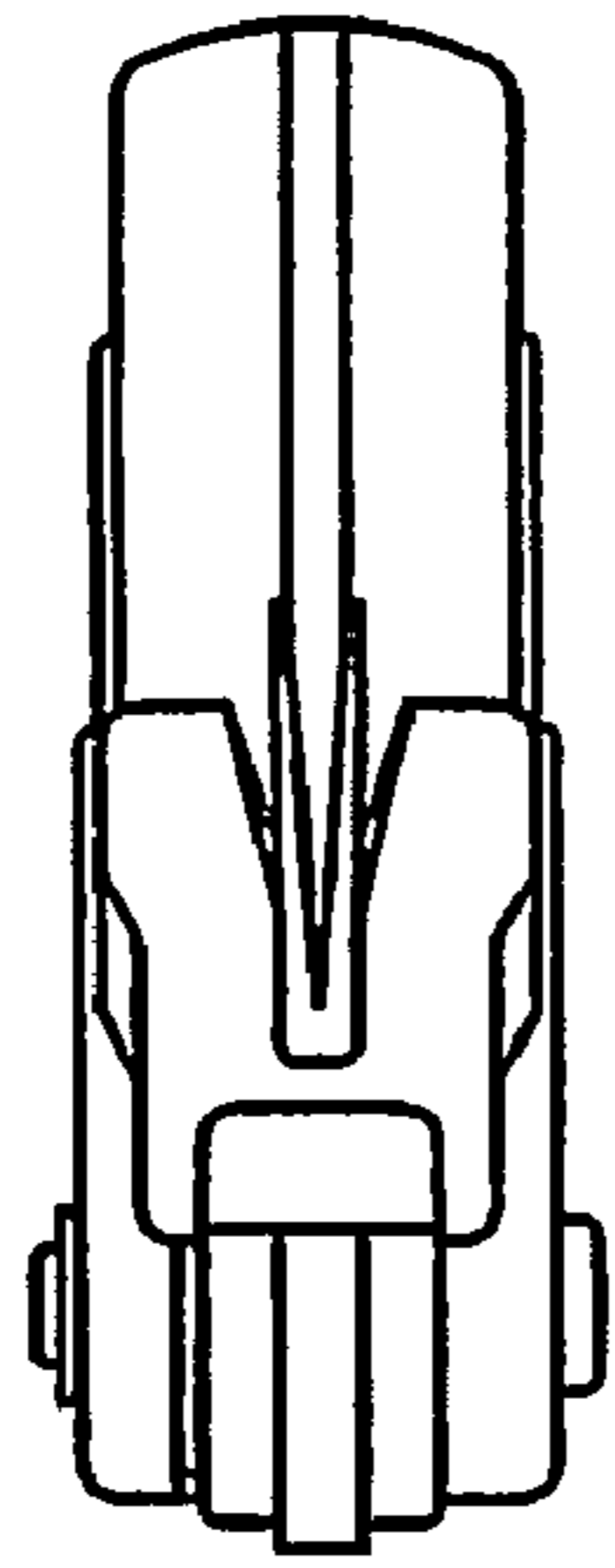


Fig. 3

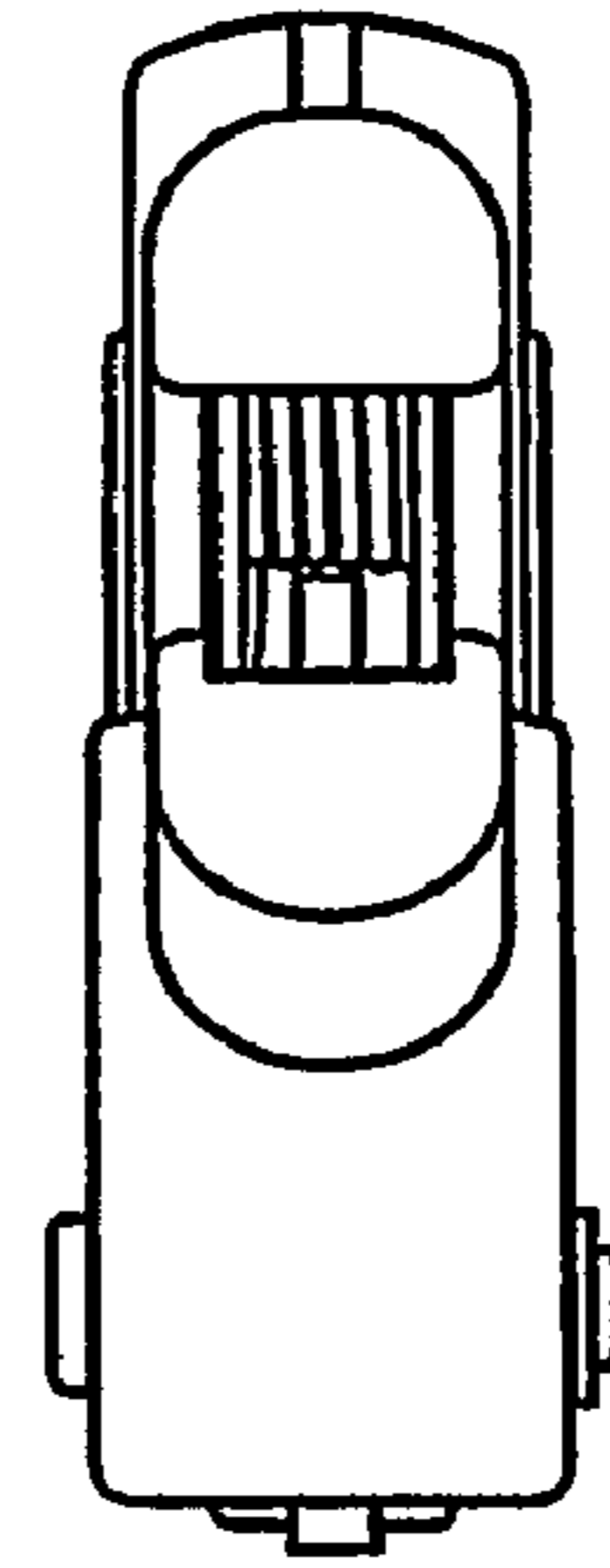


Fig. 4

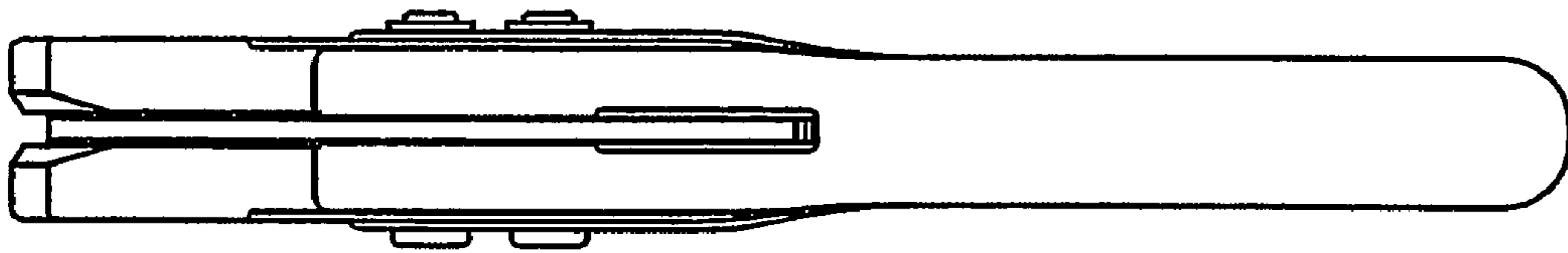


Fig. 5

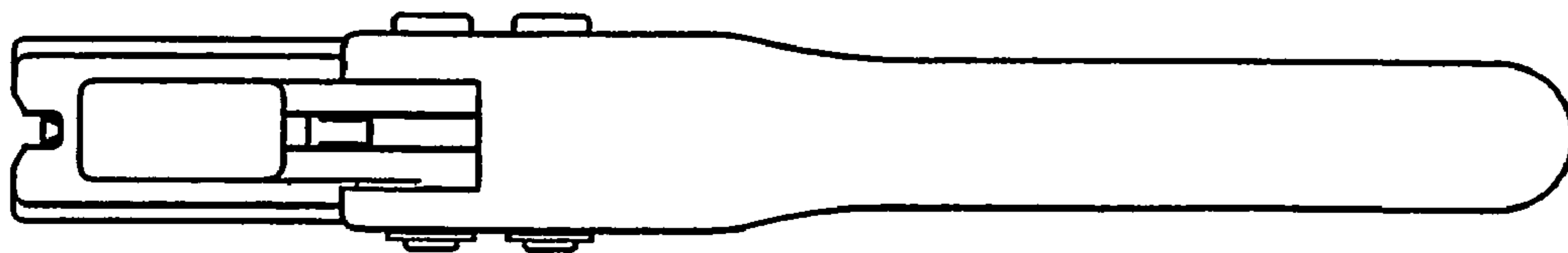


Fig. 6

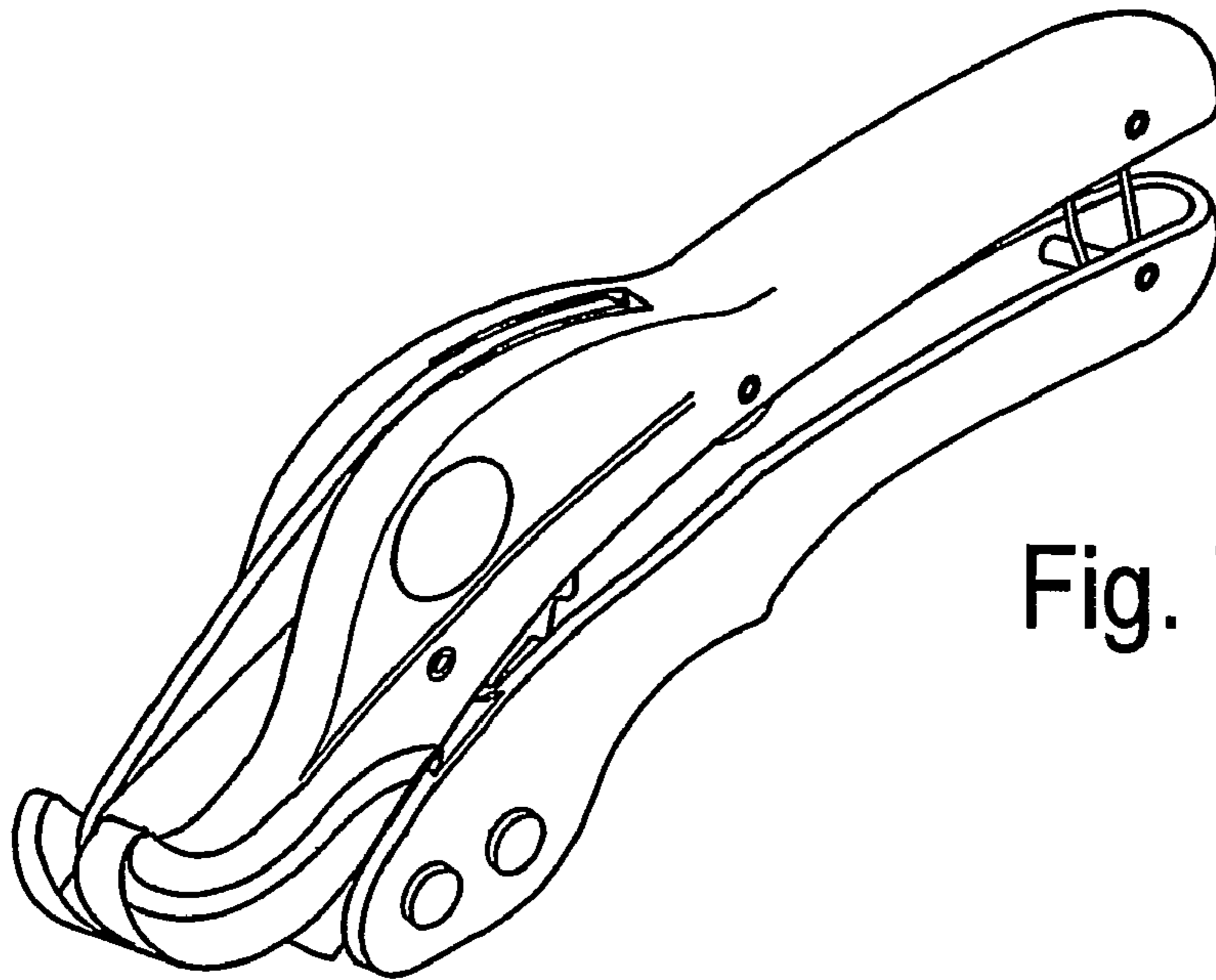


Fig. 7

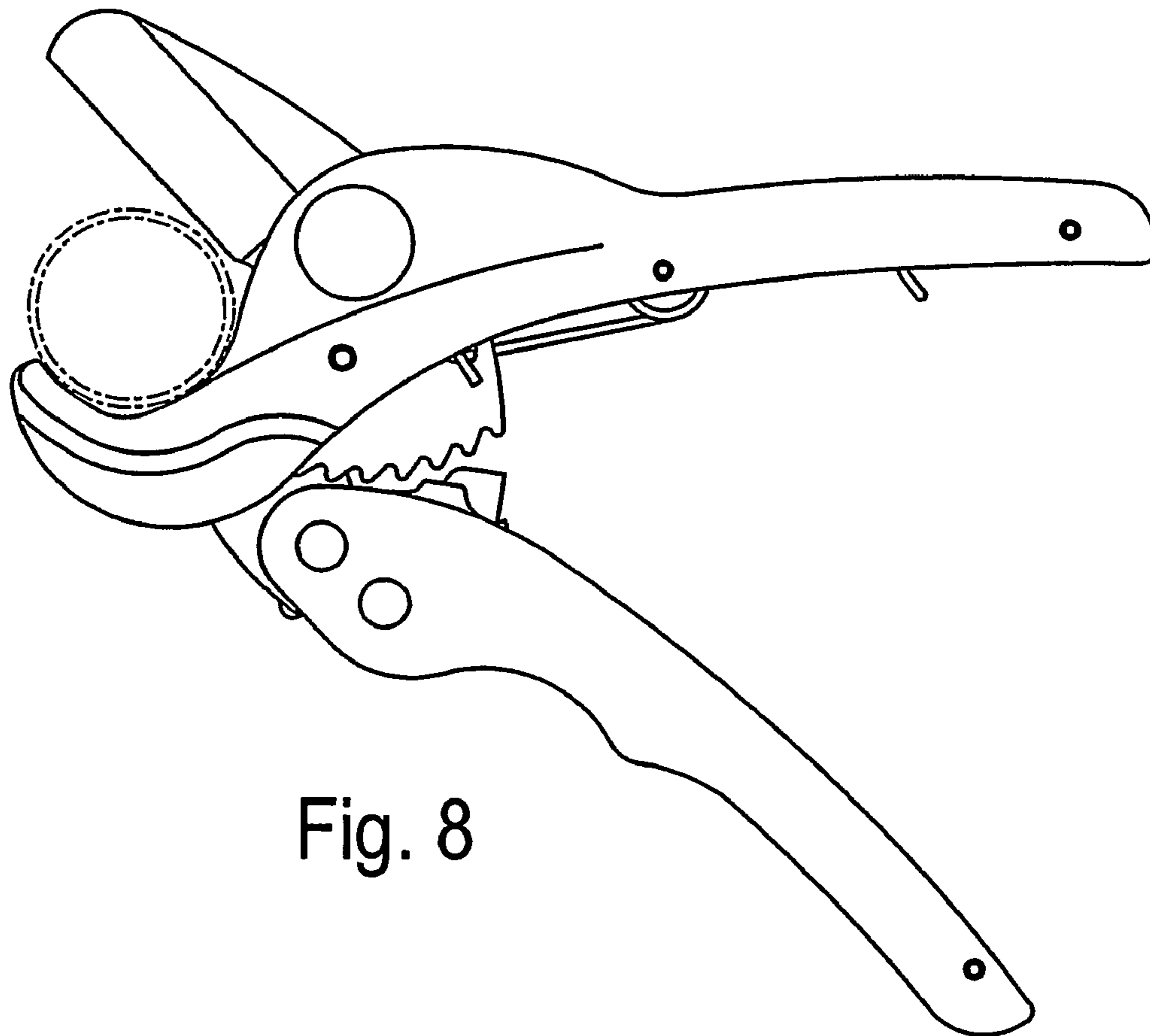


Fig. 8