



US00D614928S

(12) **United States Design Patent**
Forsythe

(10) **Patent No.:** **US D614,928 S**

(45) **Date of Patent:** **** May 4, 2010**

(54) **STAPLE PULLER**

(76) **Inventor:** **Kevin N. Forsythe**, 3804 E. Crystal
Lave Ave., Crystal Lake, IL (US) 60014

(**) **Term:** **14 Years**

(21) **Appl. No.:** **29/314,625**

(22) **Filed:** **Apr. 16, 2009**

(51) **LOC (9) Cl.** **19-02**

(52) **U.S. Cl.** **D8/48**

(58) **Field of Classification Search** D8/102-105,
D8/14, 48, 98, 50, 89, 78, 75, 26; D19/72;
D24/145, 147; D3/208, 210; 254/28; 7/158,
7/160, 144, 147

See application file for complete search history.

(56) **References Cited**

U.S. PATENT DOCUMENTS

D33,820	S	*	1/1901	Faurest	D8/48
D58,569	S	*	8/1921	Hermanson	D8/48
1,410,426	A	*	3/1922	Torgerson	254/28
1,715,826	A	*	6/1929	Fielding	254/28
2,462,250	A	*	2/1949	Andrews	254/28
4,336,832	A	*	6/1982	Poulos	81/20
D271,275	S	*	11/1983	Richilano	D8/26
D291,402	S	*	8/1987	Square	D8/75
D300,111	S	*	3/1989	Square	D8/75
D334,127	S	*	3/1993	Nellis	D8/77
5,303,748	A	*	4/1994	Haldemann	140/123
D366,604	S	*	1/1996	Welch, Jr.	D8/77
5,586,584	A	*	12/1996	Haldemann	140/123.5
6,314,599	B1	*	11/2001	Hay	7/117
6,701,560	B2	*	3/2004	Foley	7/144

D512,294	S	*	12/2005	Jessamine	D8/75
D525,506	S	*	7/2006	Downing, Jr.	D8/78
D562,100	S	*	2/2008	Kamradt	D8/77
D588,894	S	*	3/2009	Chen	D8/89

* cited by examiner

Primary Examiner—Cathron C Brooks

Assistant Examiner—Austin Murphy

(74) *Attorney, Agent, or Firm*—Mathew R. P. Perrone, Jr.;
Brie A. Crawford

(57) **CLAIM**

The ornamental design for a staple puller, as shown and described.

DESCRIPTION

FIG. 1 is a perspective view of a staple puller showing my new design;

FIG. 2 is a front plan view thereof;

FIG. 3 is a rear plan view thereof;

FIG. 4 is a top plan view thereof;

FIG. 5 is a bottom plan view thereof;

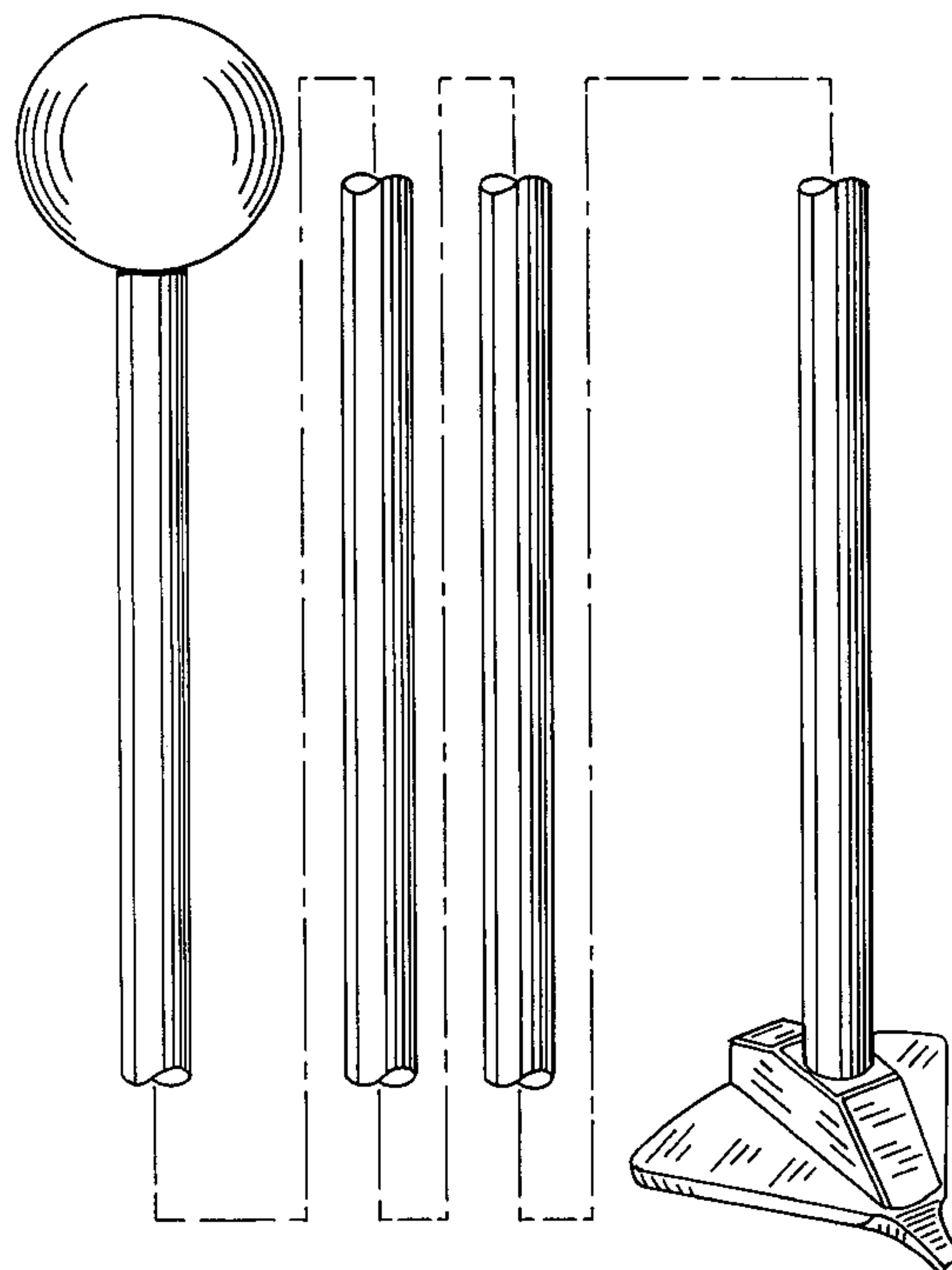
FIG. 6 is a side view thereof;

FIG. 7 is the opposite side view thereof; and,

FIG. 8 is perspective view thereof with the handle shown removed for completeness of illustration.

The broken lines shown in the drawings indicate adjoining portions of the Staple Puller handle and form no part of the claimed design.

1 Claim, 7 Drawing Sheets



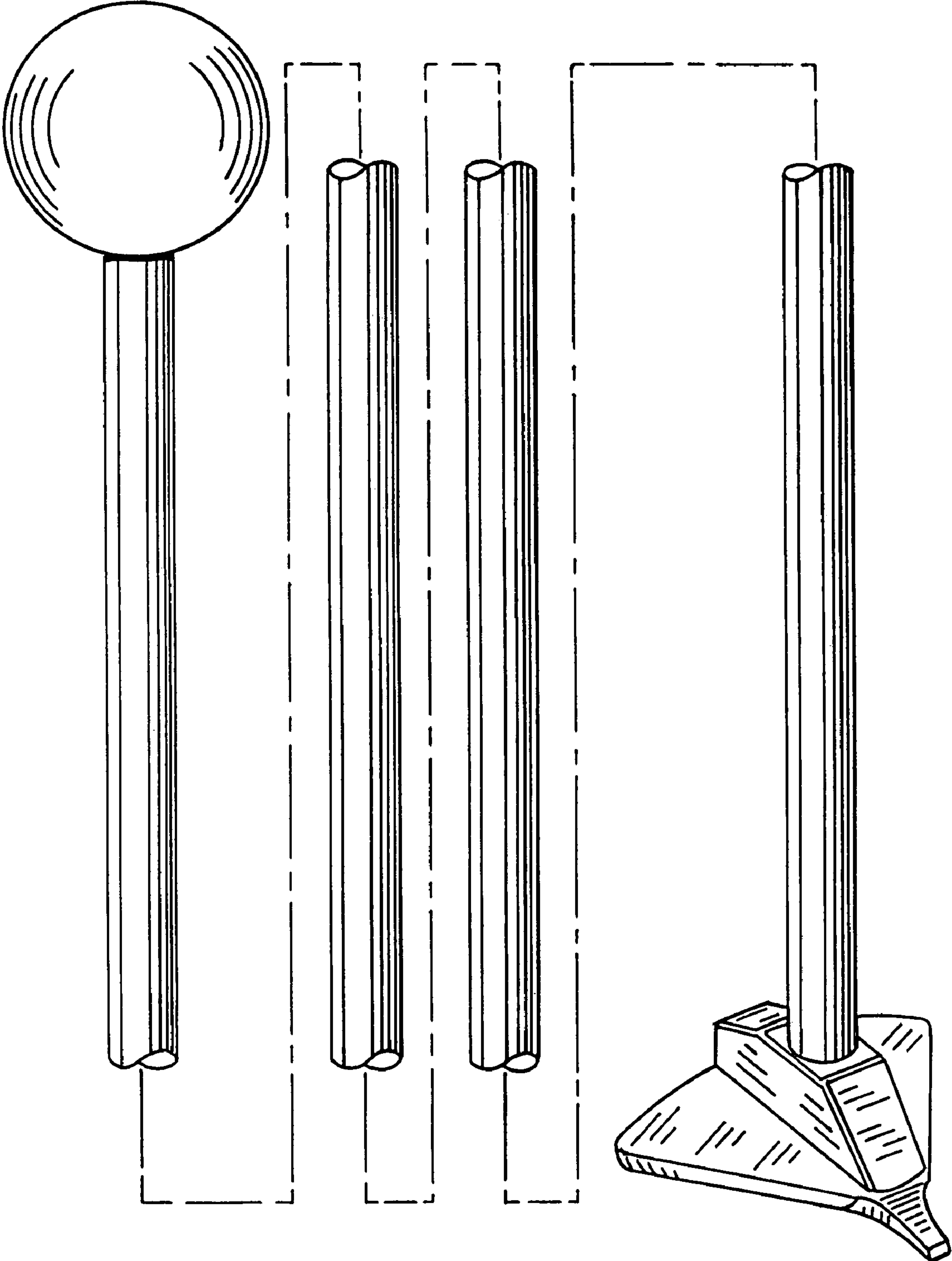


FIG. 1.

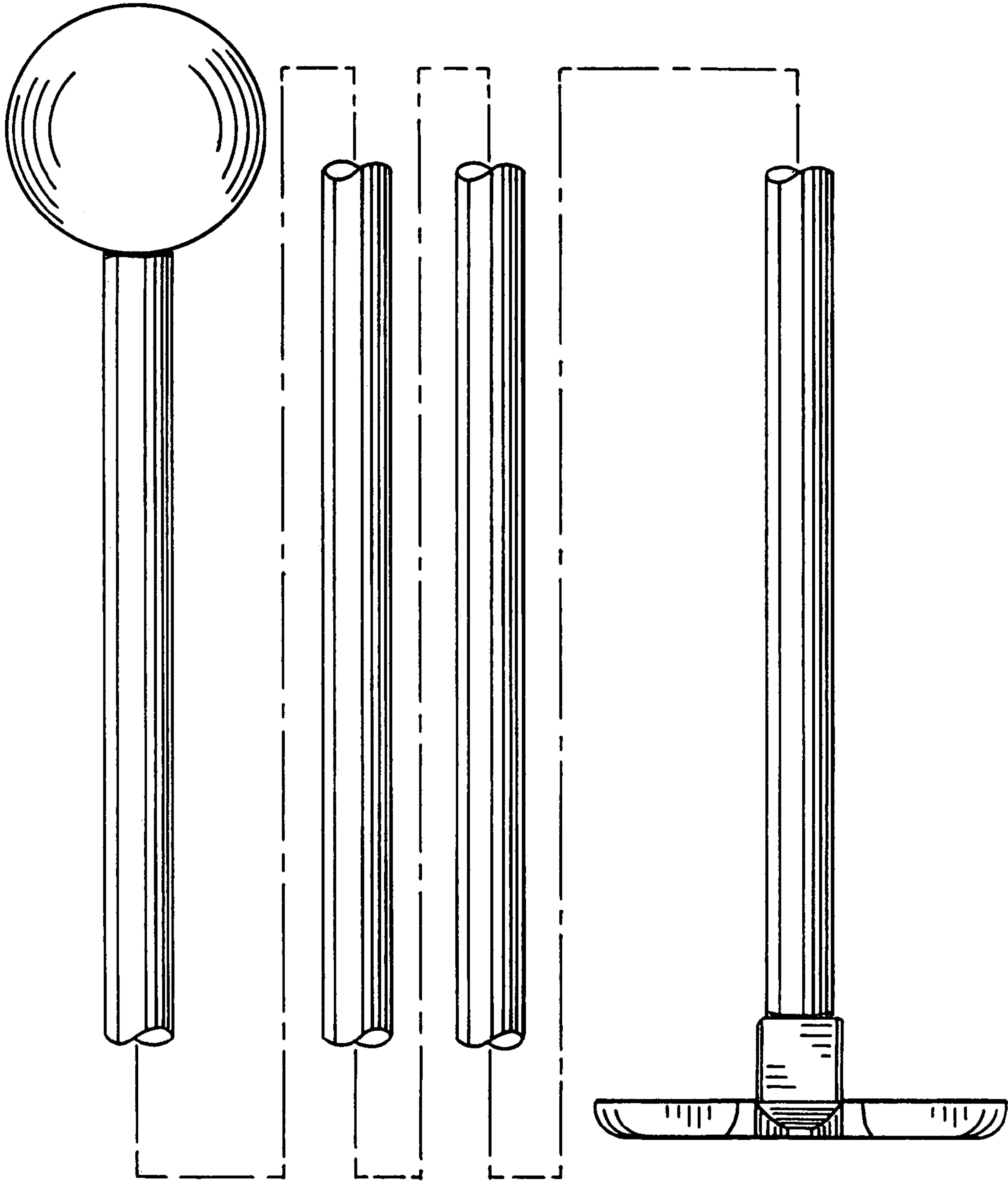


Fig.2.

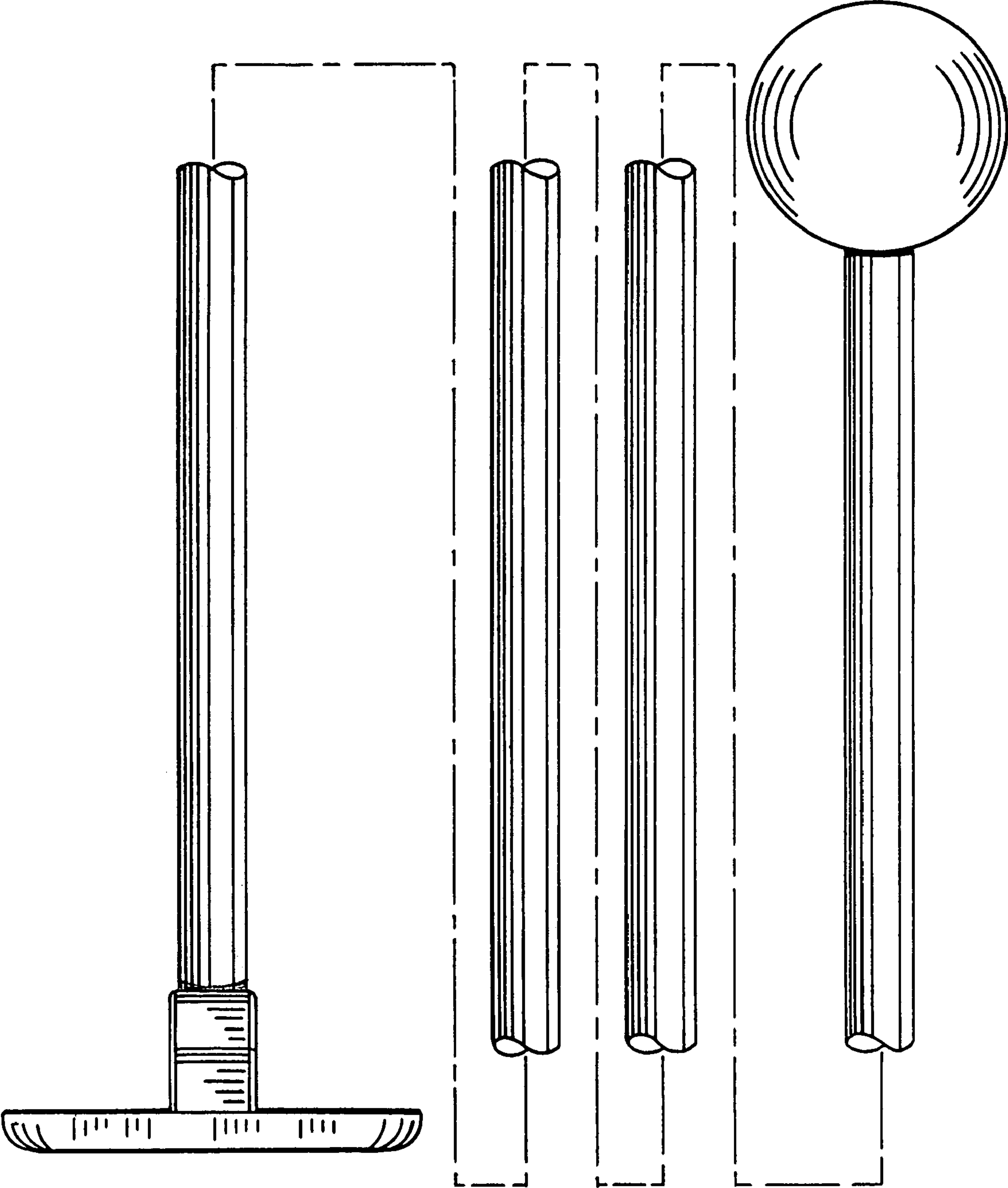


Fig. 3.

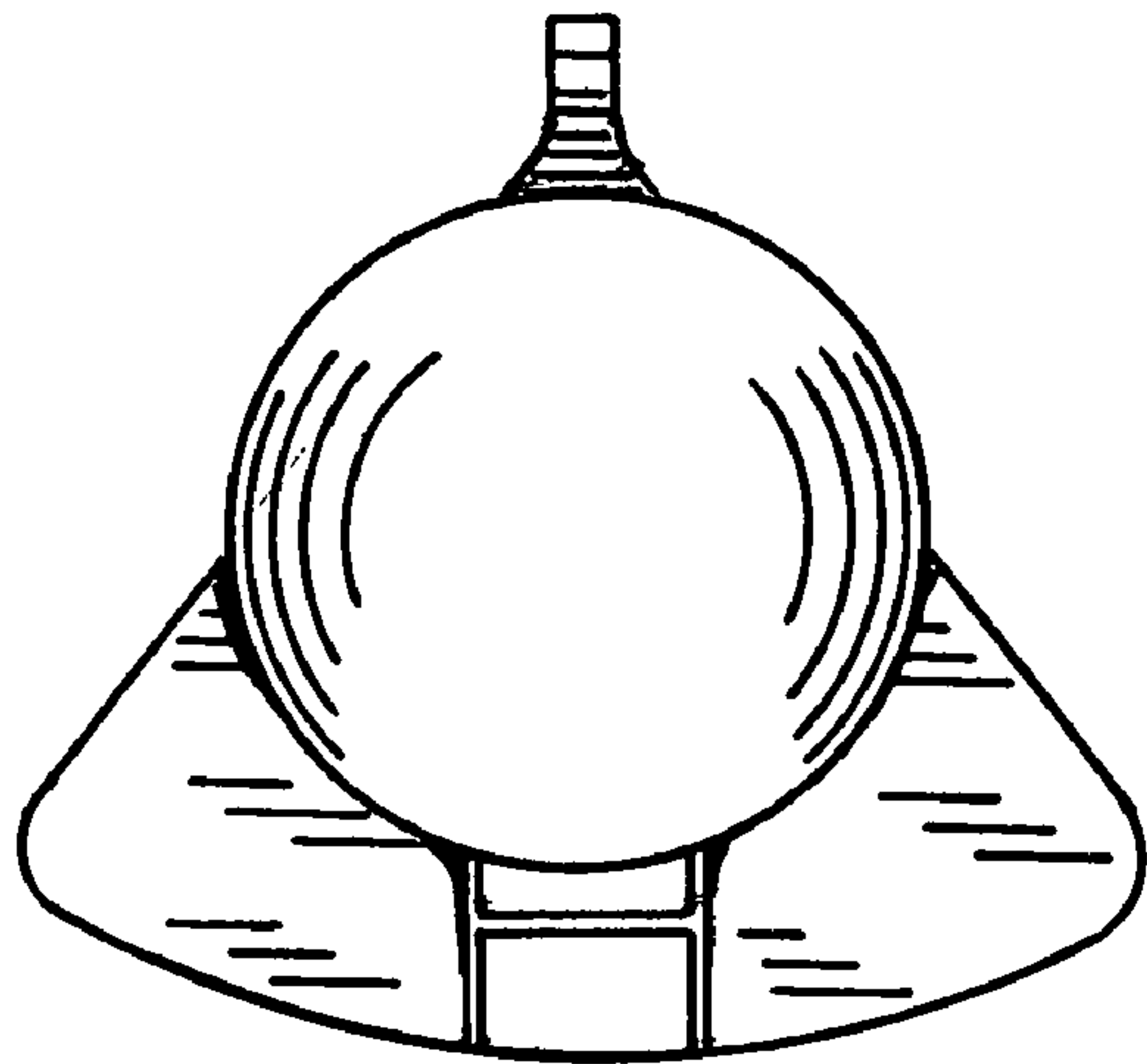


FIG. 4.

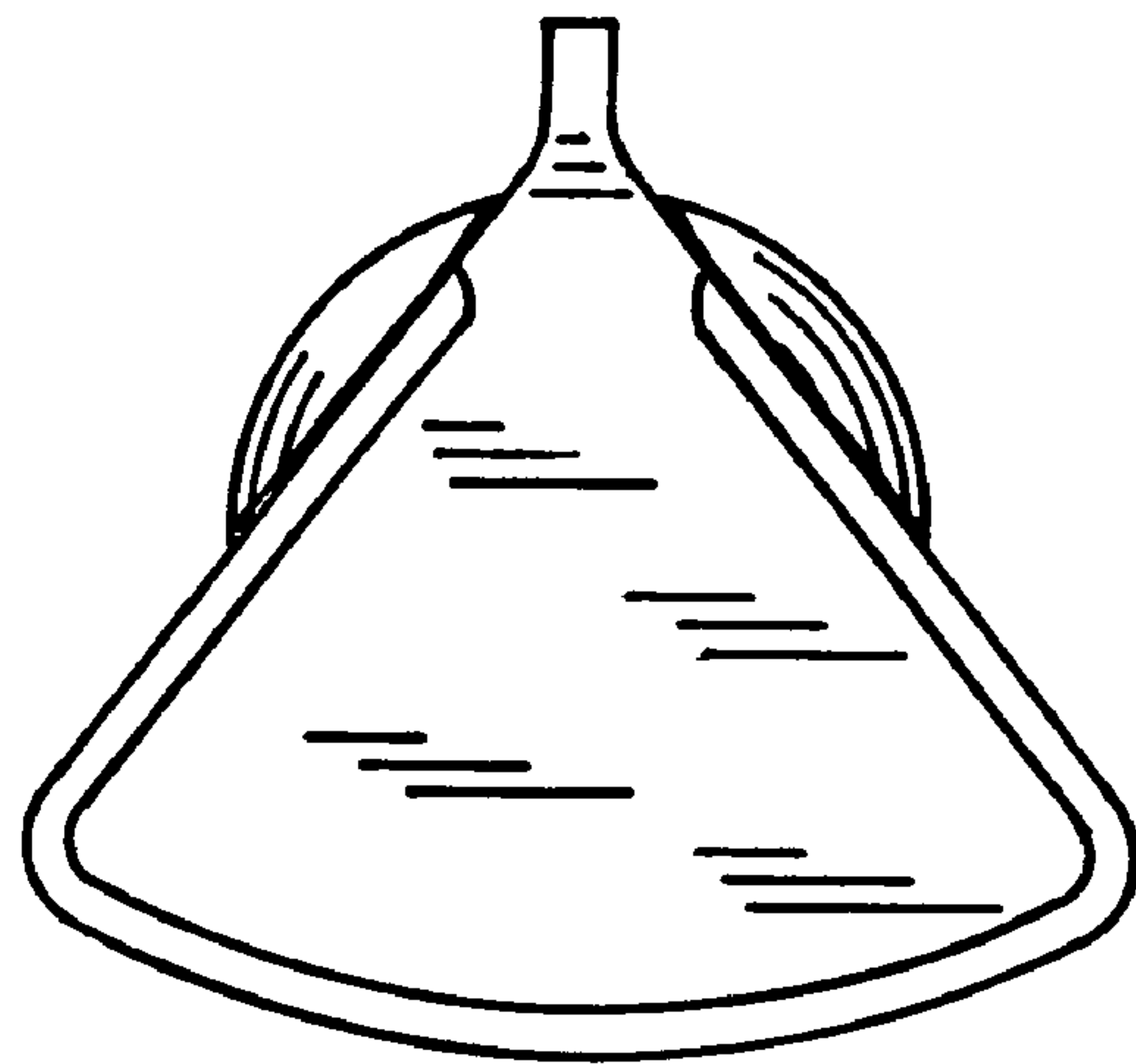


FIG. 5.

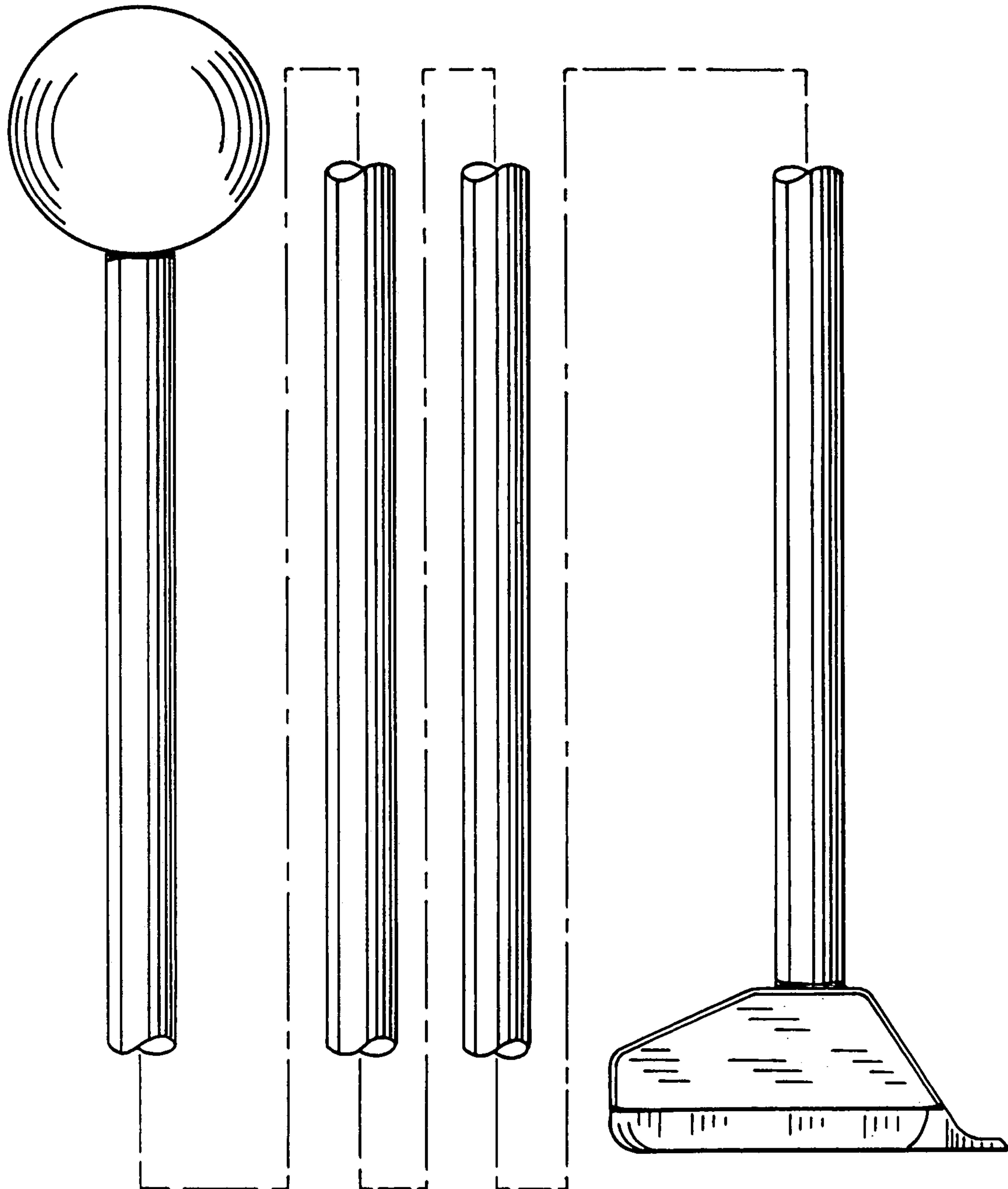


FIG. 6.

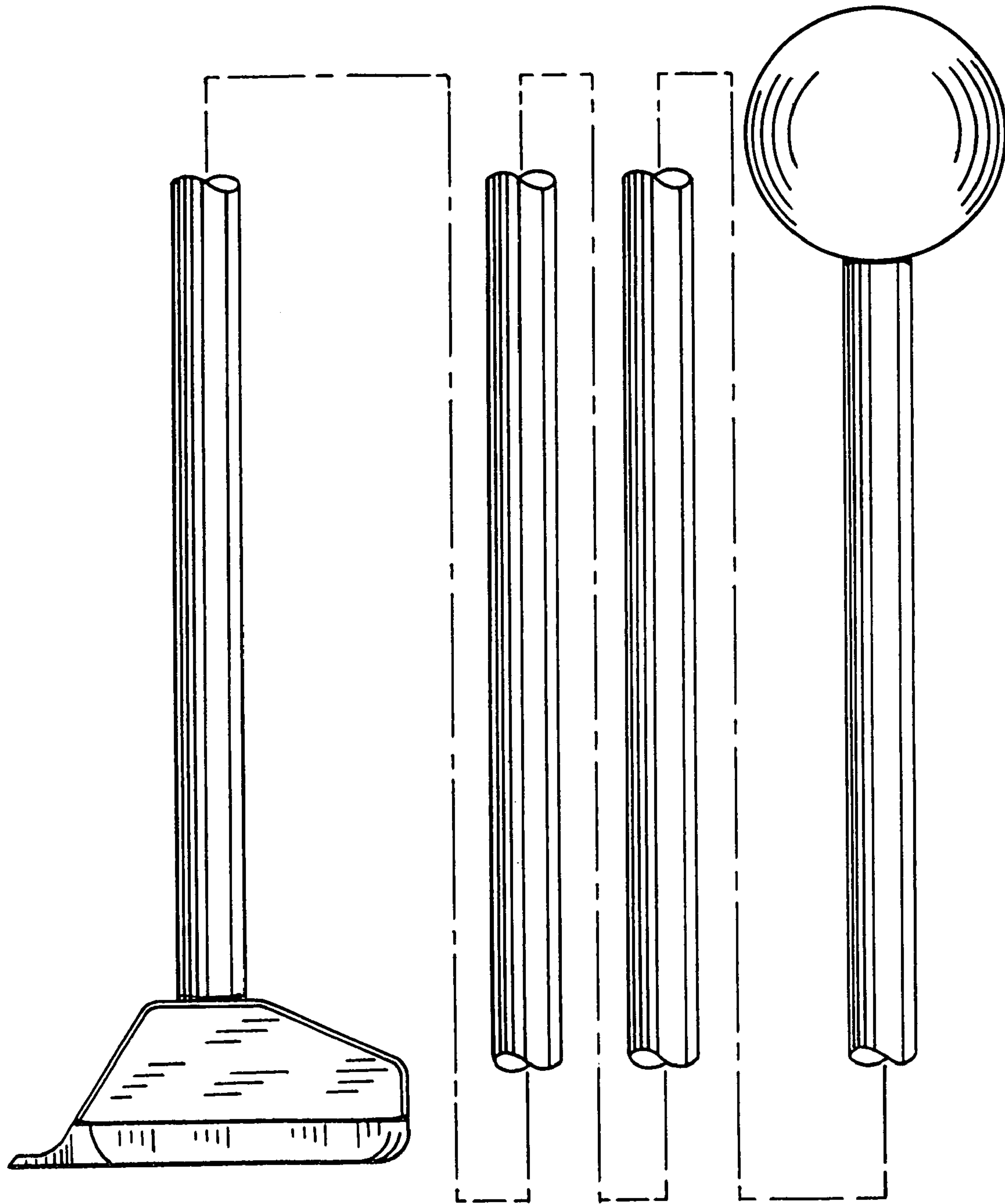


Fig. 7.

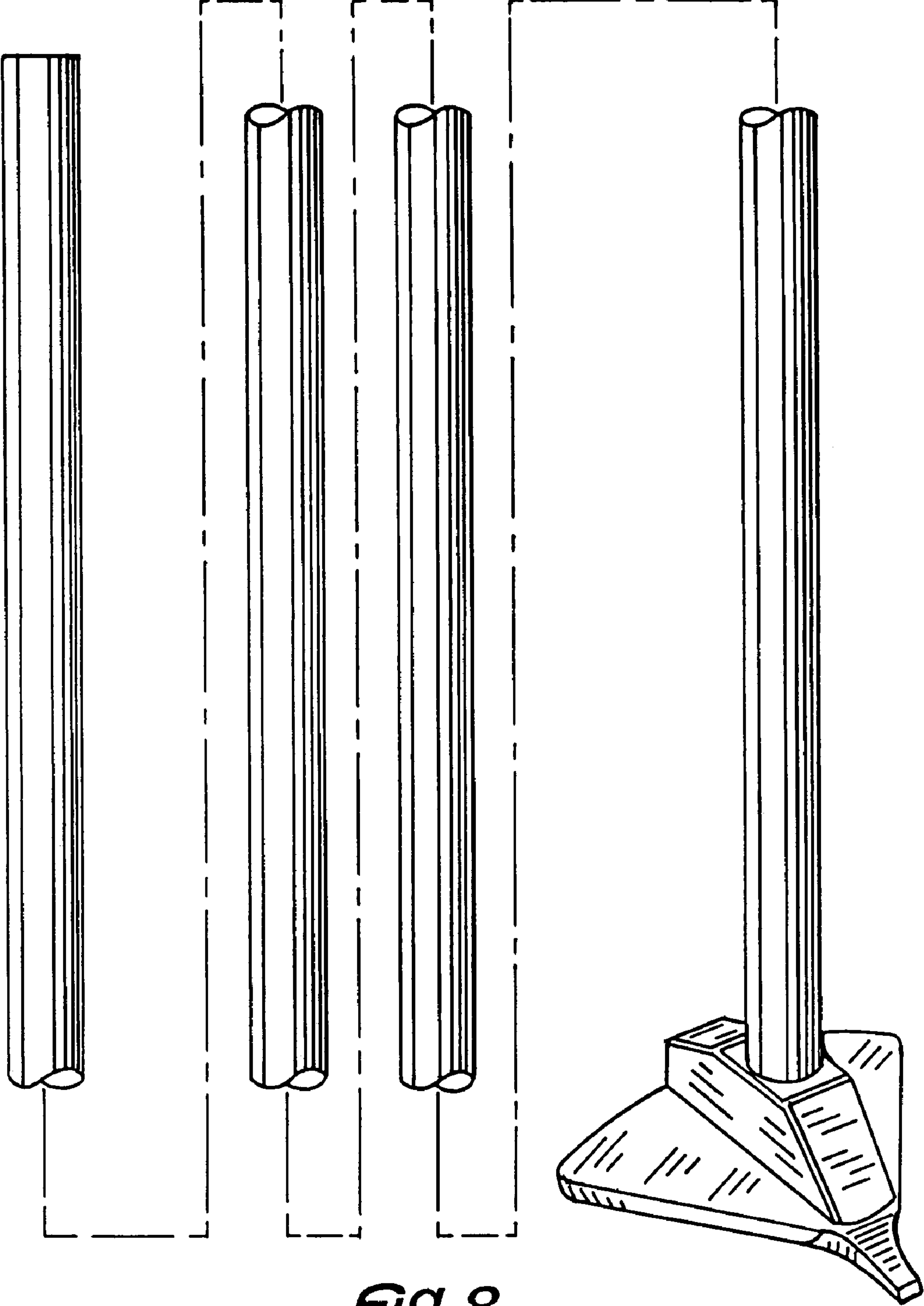


Fig. 8.