



US00D614927S

(12) **United States Design Patent**  
**Kichijo**

(10) **Patent No.:** **US D614,927 S**

(45) **Date of Patent:** **\*\* May 4, 2010**

(54) **BOTTLE OPENER**

(75) Inventor: **Hiroshi Kichijo**, Oyodo (JP)

(73) Assignee: **Yoshiritsu Kabushiki Kaisha**, Nara (JP)

(\*\*) Term: **14 Years**

(21) Appl. No.: **29/343,104**

(22) Filed: **Sep. 8, 2009**

(51) **LOC (9) Cl.** ..... **07-99**

(52) **U.S. Cl.** ..... **D8/40**

(58) **Field of Classification Search** ..... D8/14,  
D8/16-19, 33-43, 80, 89, 105; 7/113, 151-156;  
30/400-410, 416-430, 433, 434, 443, 450;  
81/3.07, 3.09, 3.2, 3.27, 3.29, 3.31, 3.35,  
81/3.37, 3.4, 3.45, 3.48, 3.49, 3.55

See application file for complete search history.

(56) **References Cited**

**U.S. PATENT DOCUMENTS**

|              |      |         |               |         |
|--------------|------|---------|---------------|---------|
| 4,414,866    | A *  | 11/1983 | Kichijyo      | 81/3.56 |
| 4,702,007    | A *  | 10/1987 | Nomura et al. | 30/423  |
| D528,245     | S *  | 9/2006  | Smith         | D8/34   |
| 7,152,506    | B2 * | 12/2006 | Wang          | 81/3.55 |
| D594,302     | S *  | 6/2009  | Mah et al.    | D8/40   |
| 2009/0133537 | A1 * | 5/2009  | Uglum         | 81/3.37 |

\* cited by examiner

*Primary Examiner*—Caron Veynar

*Assistant Examiner*—Garth Rademaker

(74) *Attorney, Agent, or Firm*—Wenderoth, Lind & Ponack, LLP.

(57) **CLAIM**

The ornamental design for a bottle opener, as shown and described.

**DESCRIPTION**

FIG. 1 is a perspective view of a bottle opener showing my new design;

FIG. 2 is a front view thereof;

FIG. 3 is a rear view thereof;

FIG. 4 is a top plan view thereof;

FIG. 5 is a left-hand side view thereof;

FIG. 6 is a right-hand side view thereof;

FIG. 7 is a bottom plan view thereof;

FIG. 8 is a cross-section view thereof, taken along line 8—8 of FIG. 4;

FIG. 9 is a cross-section view thereof, taken along line 8—8 of FIG. 4, shown in an environment of use and at a reduced scale; and,

FIG. 10 is a cross-section view thereof, taken along line 8—8 of FIG. 4, shown in an environment of use, positioned differently, and at a reduced scale.

The broken lines depict internal structure and environmental subject matter only and form no part of the claimed design.

**1 Claim, 5 Drawing Sheets**

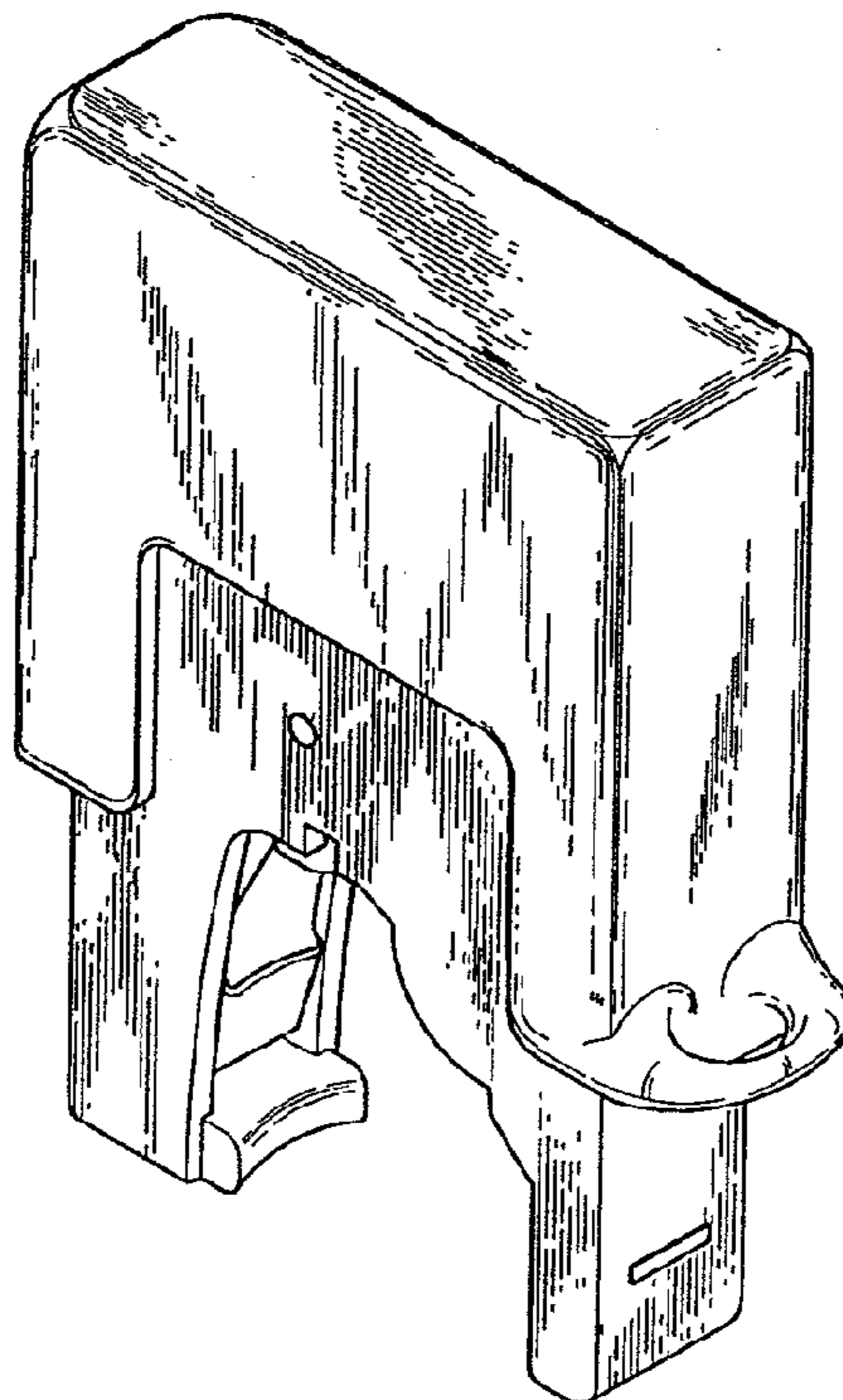


Fig. 1

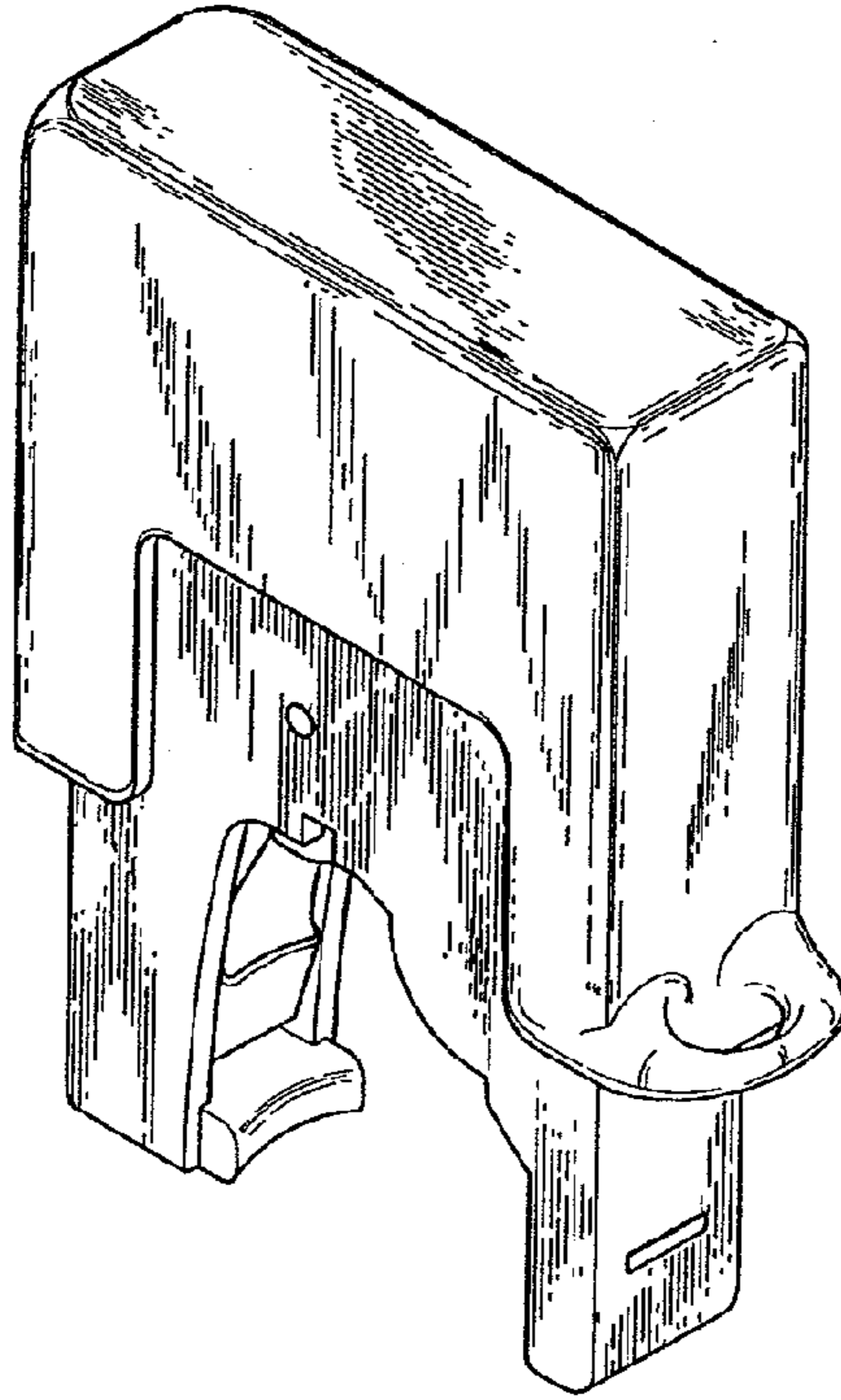


Fig. 2

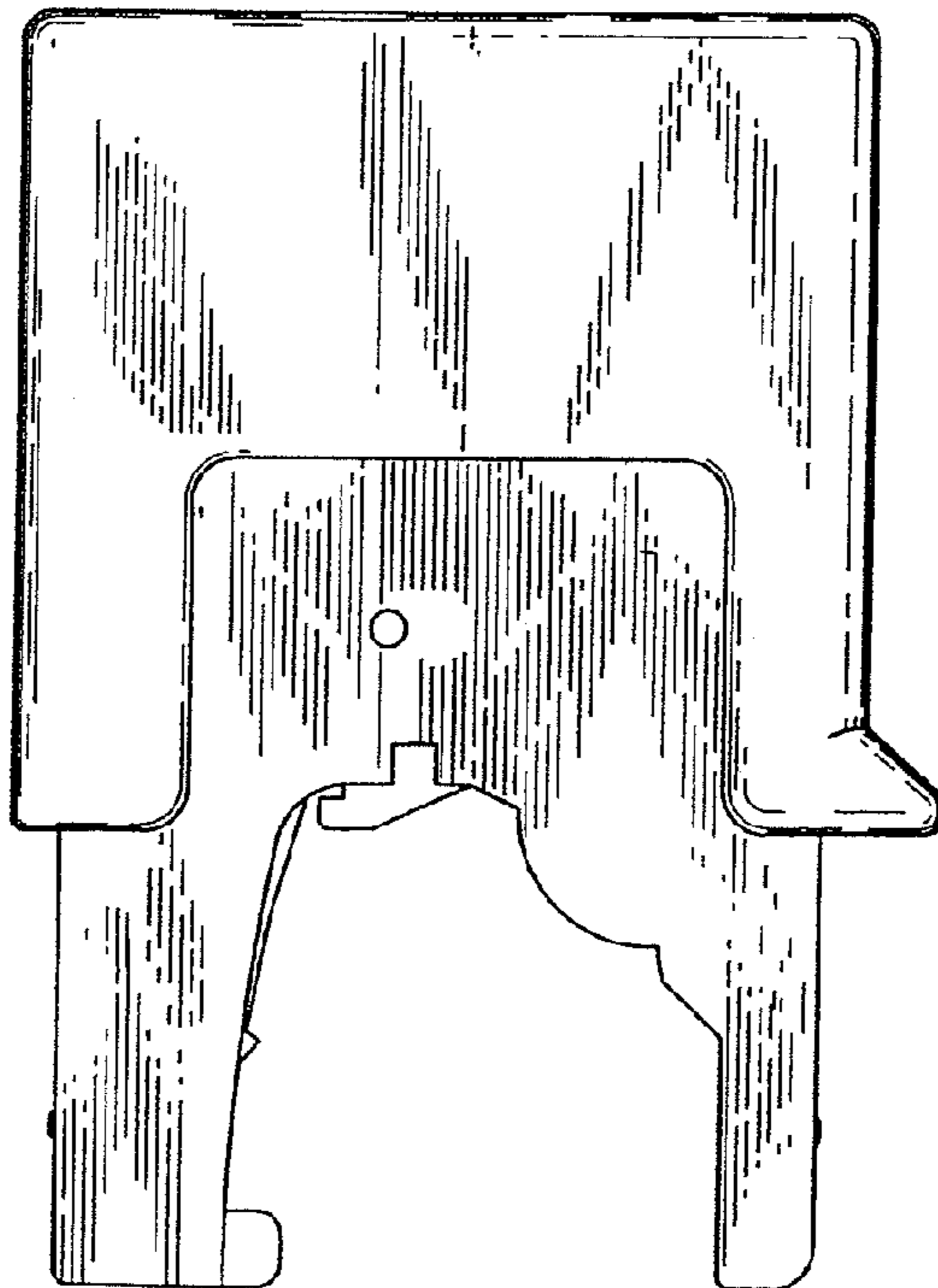


Fig. 3

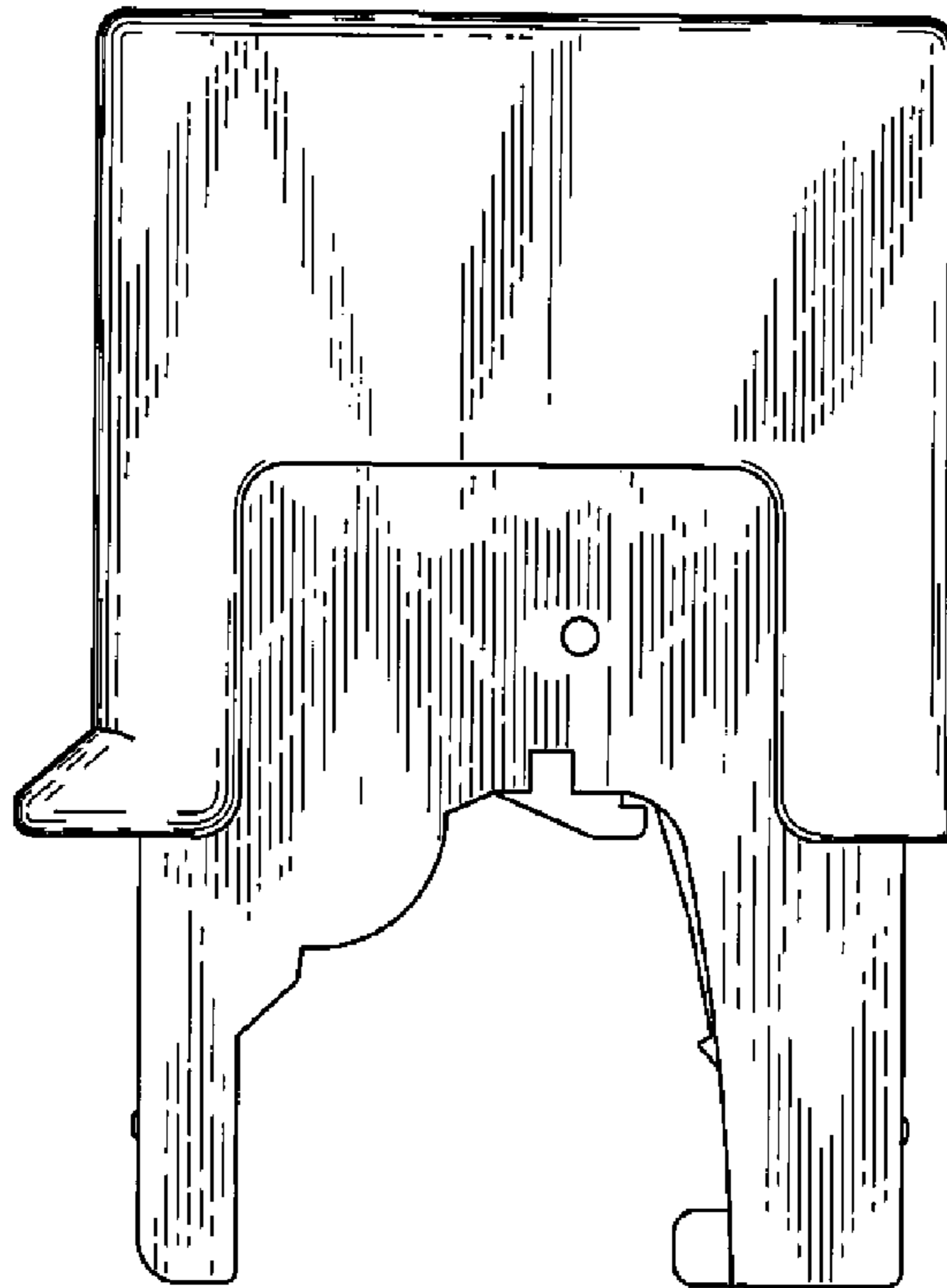


Fig. 4

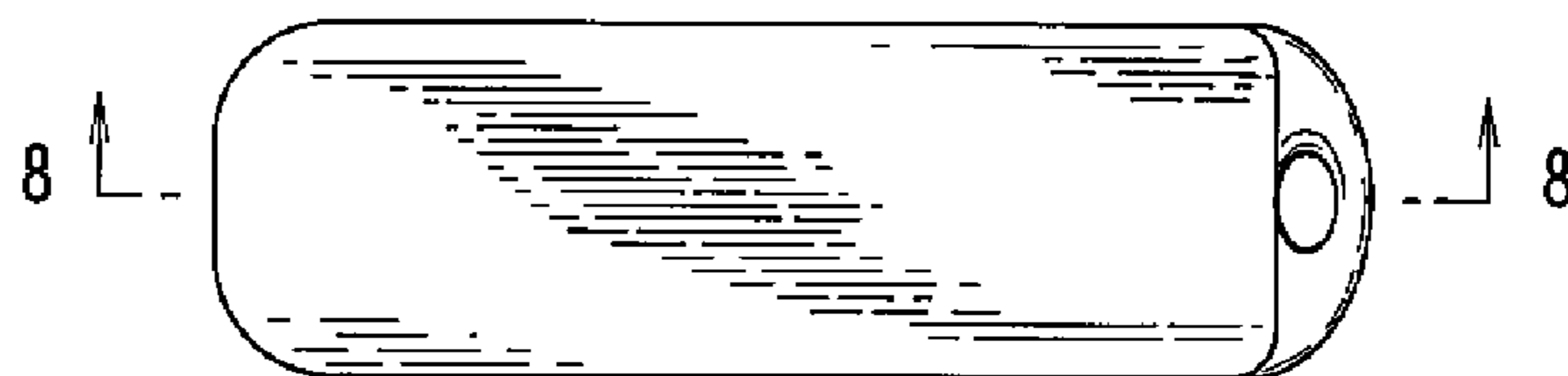


Fig. 5

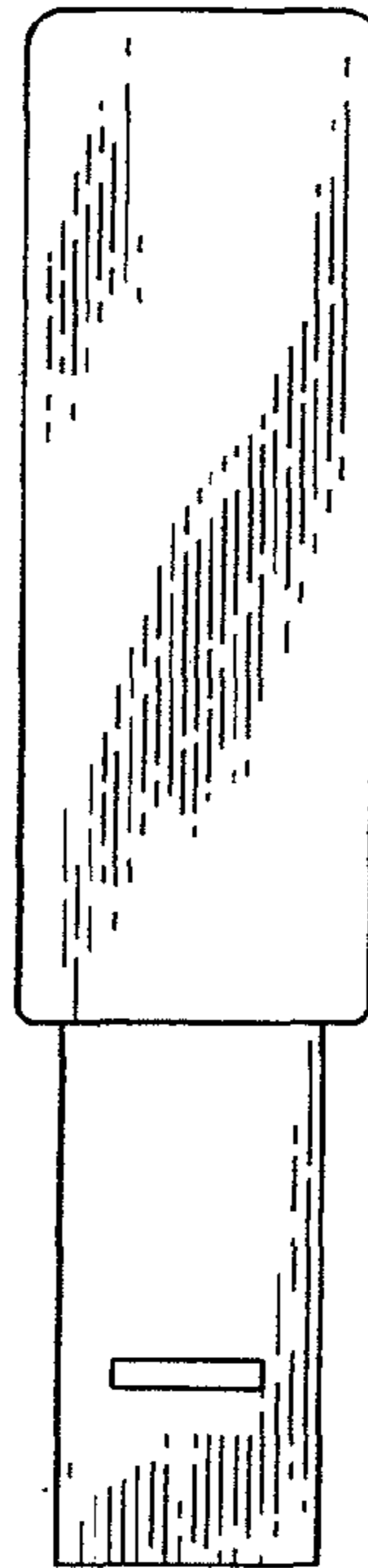


Fig. 6

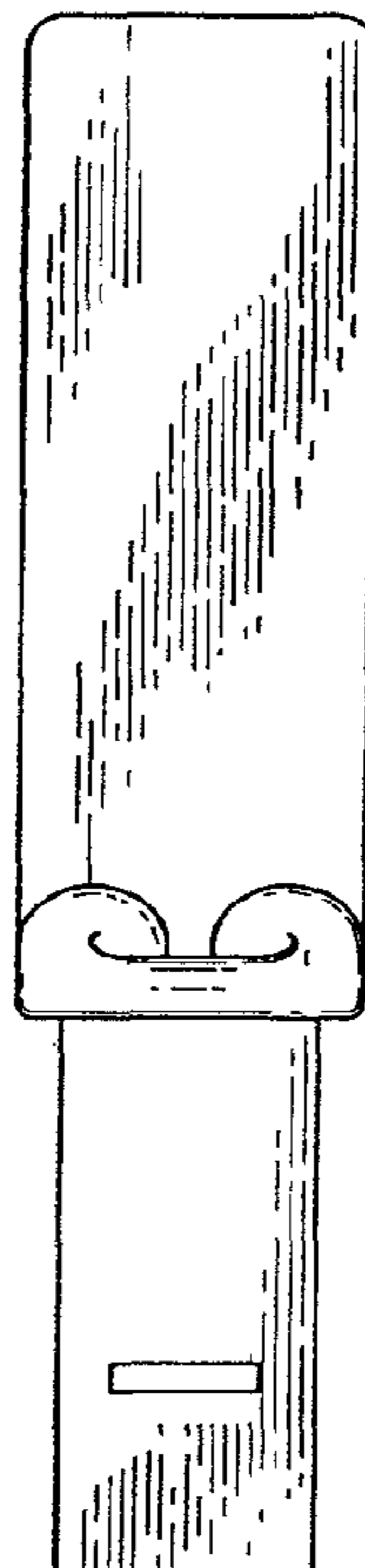


Fig. 7

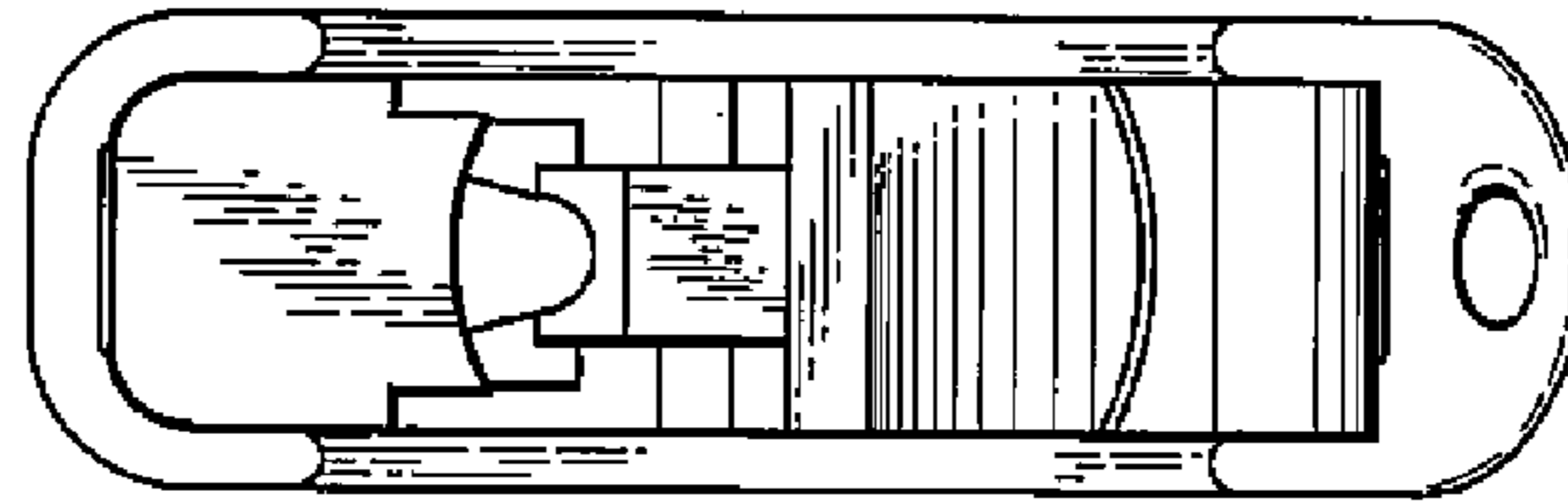


Fig. 8

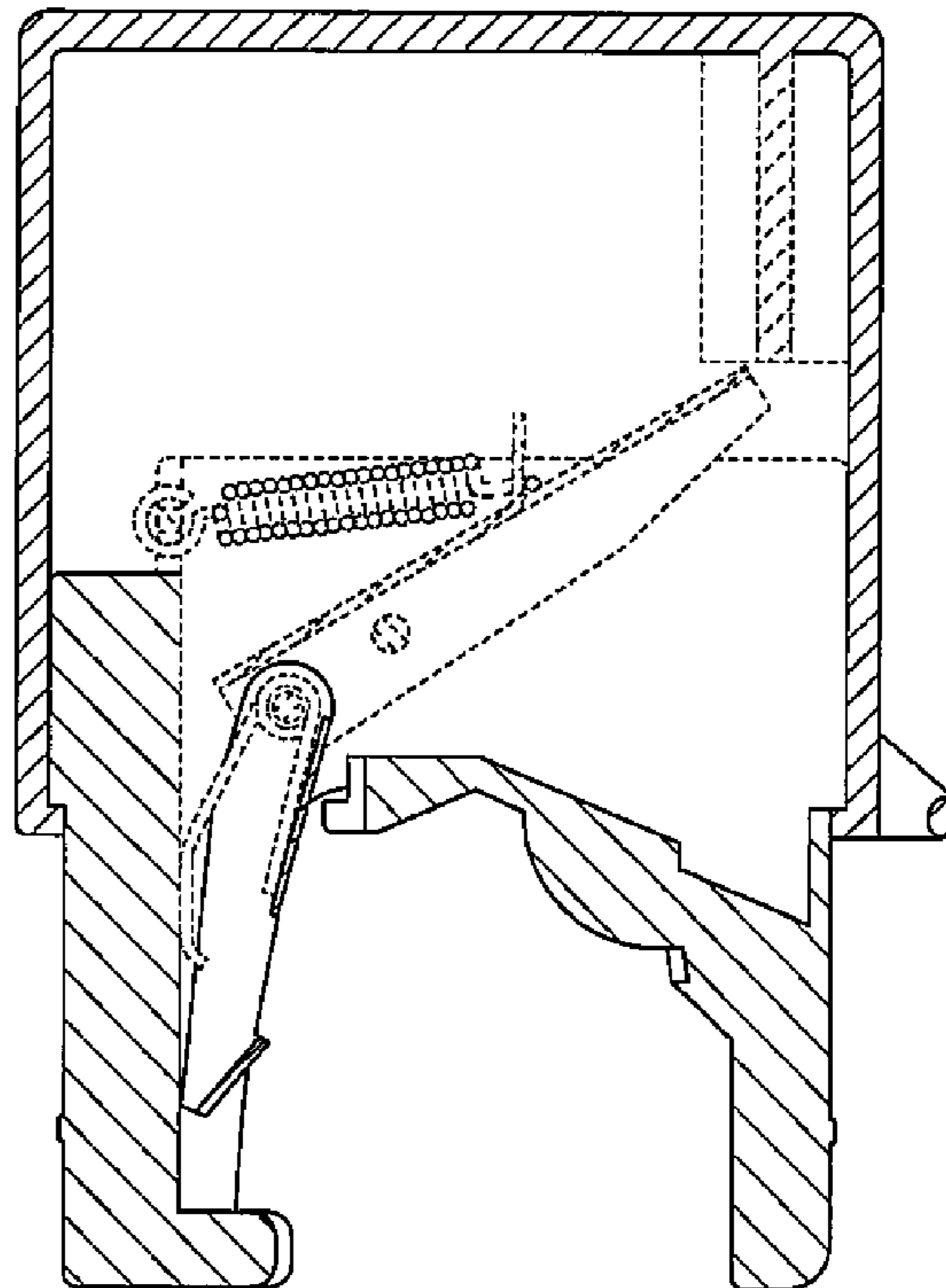


Fig. 9

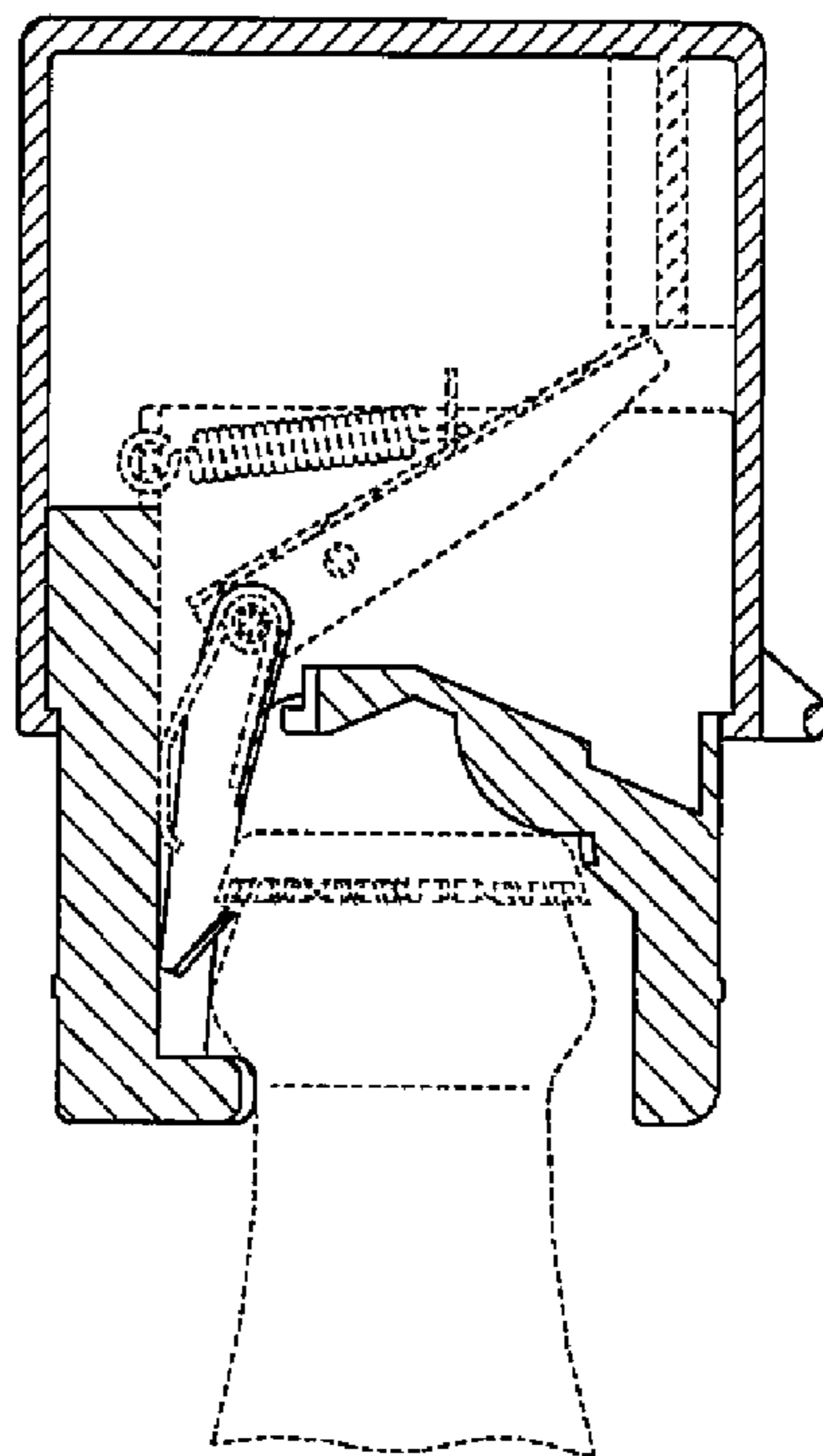


Fig. 10

