



US00D614924S

(12) **United States Design Patent**  
**Bodum**

(10) **Patent No.:** **US D614,924 S**  
(45) **Date of Patent:** **\*\* May 4, 2010**

(54) **CHEESE SLICER**

7,065,883 B2 \* 6/2006 Popeil et al. .... 30/322

(75) Inventor: **Jørgen Bodum**, Meggen (CH)

\* cited by examiner

(73) Assignee: **Pi-Design AG**, Triengen (CH)

*Primary Examiner*—Terry A Wallace

(\*\*) Term: **14 Years**

(74) *Attorney, Agent, or Firm*—Cowan, Liebowitz & Latman, PC

(21) Appl. No.: **29/344,142**

(57) **CLAIM**

(22) Filed: **Sep. 24, 2009**

The ornamental design for a cheese slicer, as shown and described.

(30) **Foreign Application Priority Data**

**DESCRIPTION**

Mar. 31, 2009 (DK) ..... DA 2009 00052

FIG. 1 is a perspective view of the cheese slicer showing my design thereof;

(51) **LOC (9) Cl.** ..... **07-04**

FIG. 2 is a front view thereof;

(52) **U.S. Cl.** ..... **D7/693**

FIG. 3 is a back view thereof;

(58) **Field of Classification Search** ..... D7/680–697;  
294/5, 6, 26, 49, 55.5; 30/116, 289

FIG. 4 is a right side view thereof;

See application file for complete search history.

FIG. 5 is a left side view thereof;

(56) **References Cited**

FIG. 6 is a top view thereof;

**U.S. PATENT DOCUMENTS**

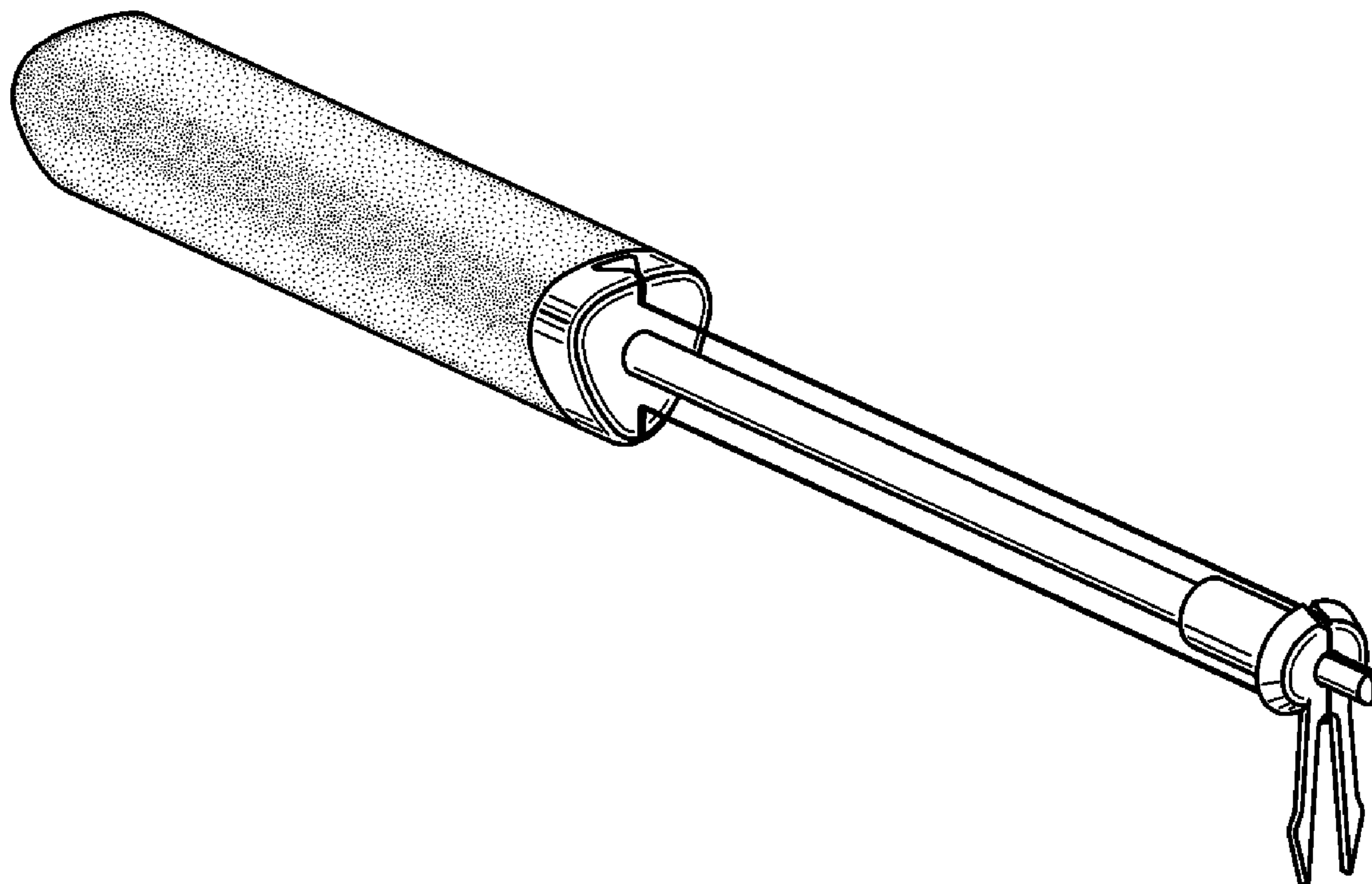
FIG. 7 is a bottom view thereof; and,

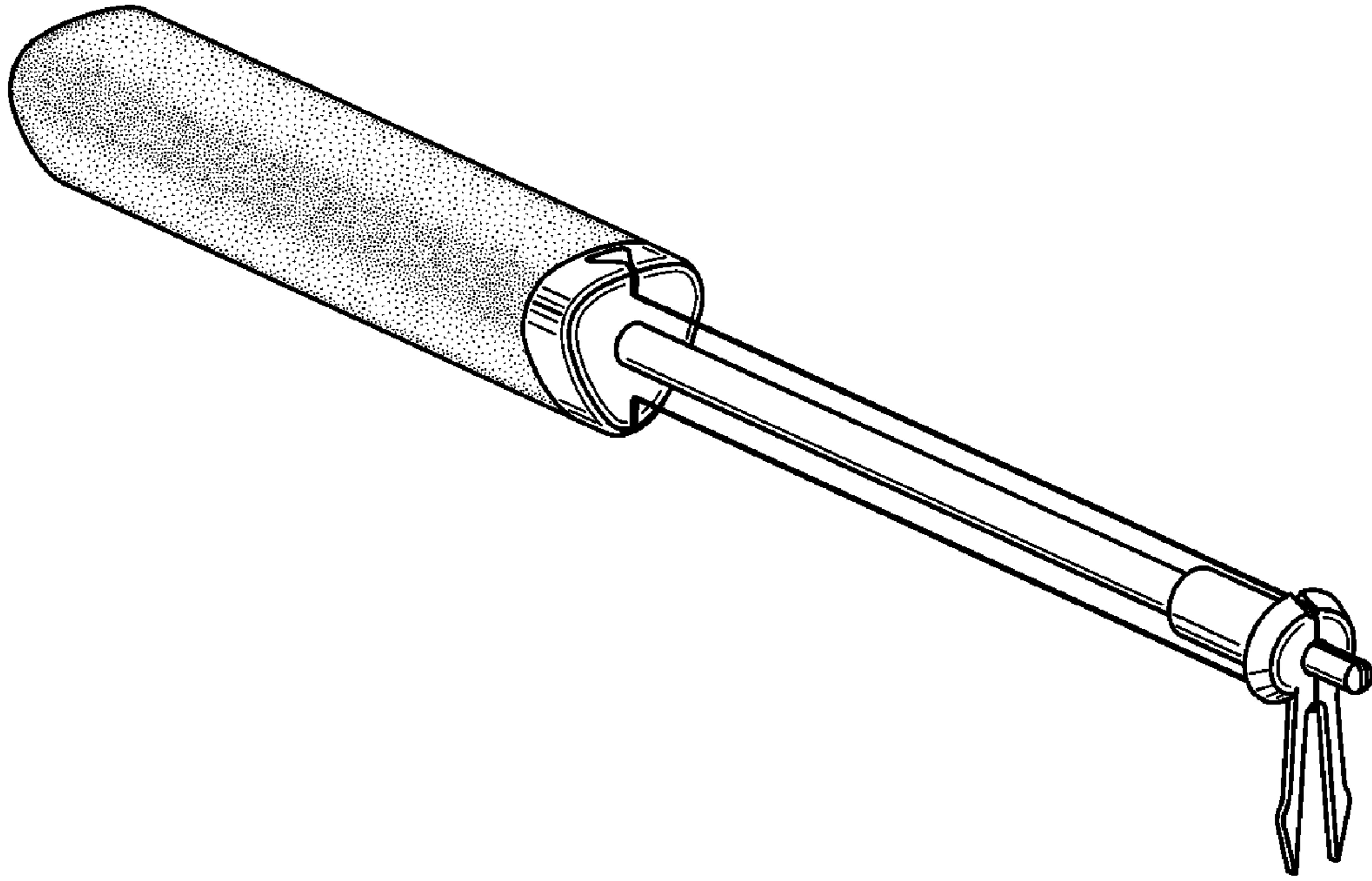
2,533,682 A \* 12/1950 Nelson ..... 30/116

FIG. 8 is a sectional view thereof taken along line 8—8 of FIG. 6.

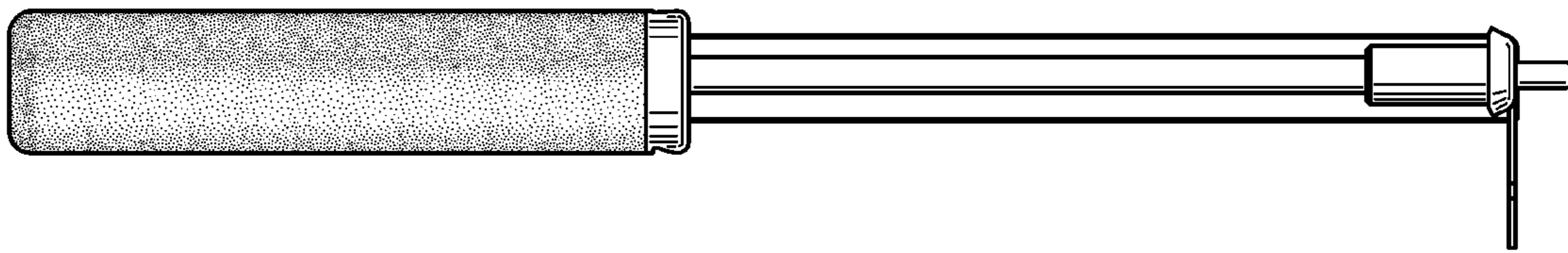
D401,123 S \* 11/1998 McHale ..... D7/683

**1 Claim, 8 Drawing Sheets**

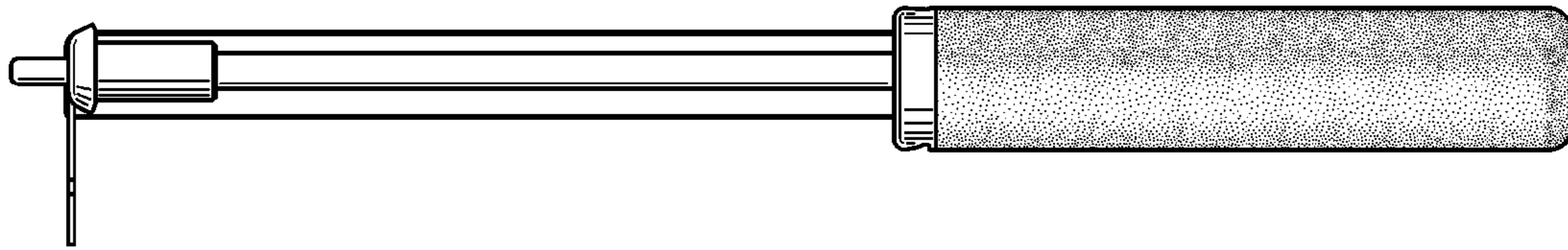




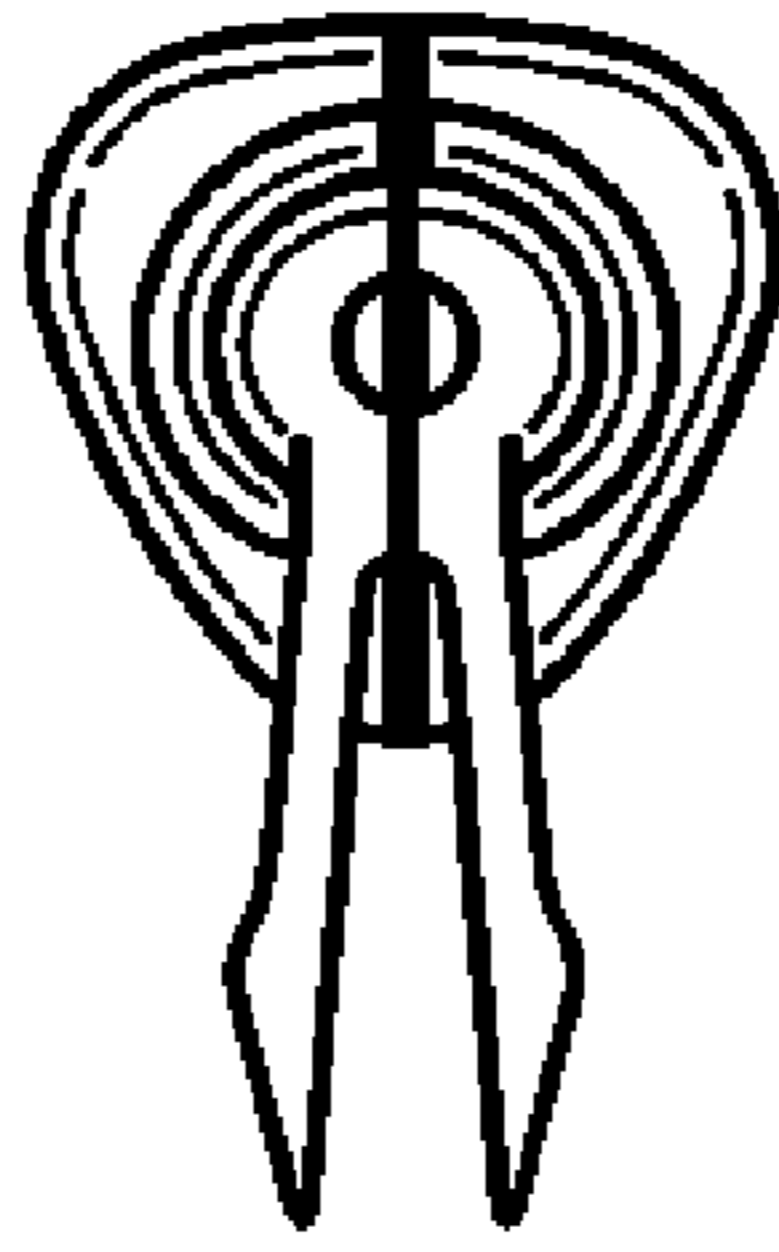
**FIG. 1**



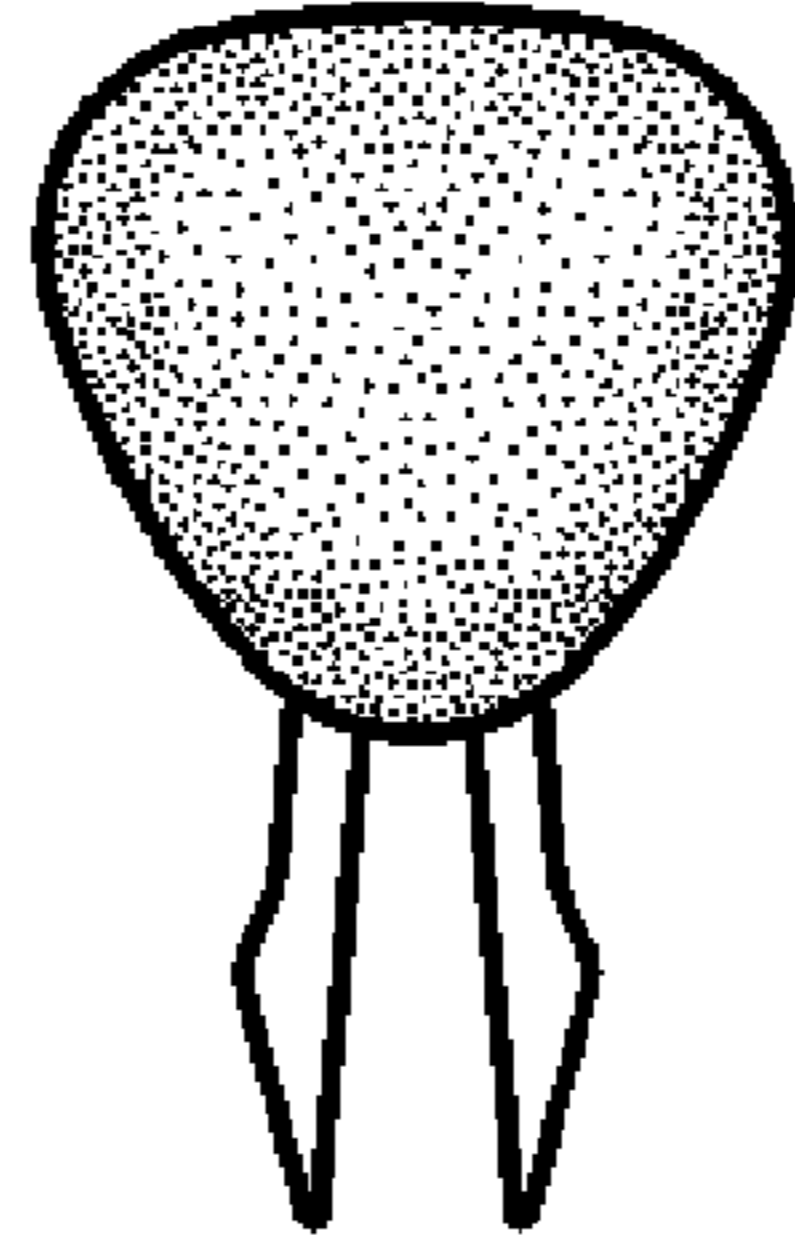
**FIG. 2**



**FIG. 3**



**FIG. 4**



**FIG. 5**

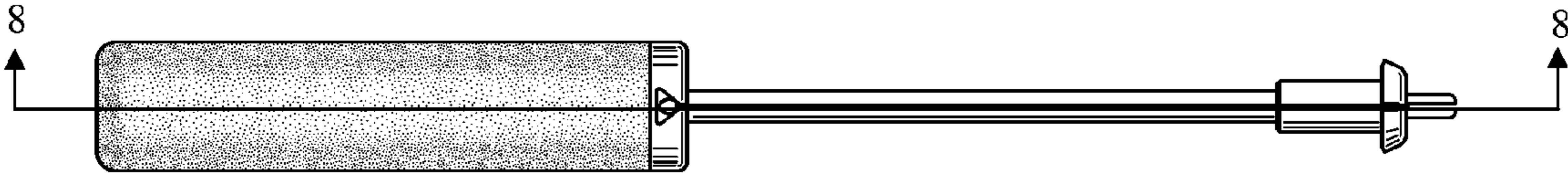
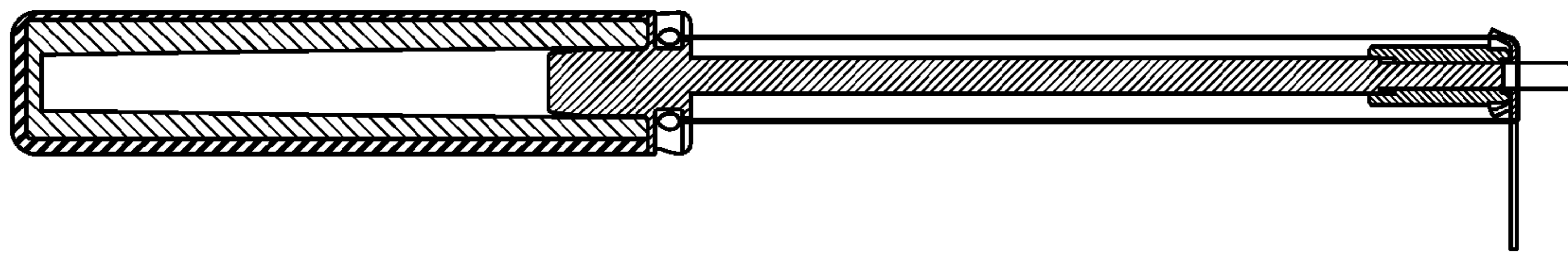


FIG. 6



FIG. 7





**FIG. 8**