



US00D614919S

(12) **United States Design Patent**  
**Carlson**

(10) **Patent No.:** **US D614,919 S**

(45) **Date of Patent:** **\*\* \*May 4, 2010**

(54) **CONTAINER BASE**

(75) Inventor: **Arthur Richard Carlson**, Hawthorn East (AU)

(73) Assignee: **The Décor Corporation Pty Ltd.**, Victoria (AU)

(\*) Notice: This patent is subject to a terminal disclaimer.

(\*\*) Term: **14 Years**

(21) Appl. No.: **29/323,475**

(22) Filed: **Aug. 26, 2008**

(30) **Foreign Application Priority Data**

Feb. 28, 2008 (AU) ..... 10973/2008

(51) **LOC (9) Cl.** ..... **07-01**

(52) **U.S. Cl.** ..... **D7/602**

(58) **Field of Classification Search** ..... D7/601, D7/602, 612-615, 629, 538-542; 220/780-806, 220/574-575; D9/425-432  
See application file for complete search history.

(56) **References Cited**

**U.S. PATENT DOCUMENTS**

- D238,137 S \* 12/1975 Swett ..... D7/612
- D270,418 S \* 9/1983 Conti ..... D7/602
- D278,675 S \* 5/1985 Tardif et al. .... D7/629
- D279,253 S \* 6/1985 Daenen et al. .... D7/602

- D281,048 S \* 10/1985 Wolff ..... D7/602
- D282,808 S \* 3/1986 Daenen et al. .... D7/602
- D282,809 S \* 3/1986 Daenen et al. .... D7/602
- D282,896 S \* 3/1986 Conti et al. .... D7/629
- D377,739 S \* 2/1997 Carlson ..... D7/602
- D379,287 S \* 5/1997 Carlson ..... D7/602
- D403,924 S \* 1/1999 Carlson ..... D7/602
- D528,374 S \* 9/2006 Heiberg et al. .... D7/629

\* cited by examiner

*Primary Examiner*—Terry A Wallace

(74) *Attorney, Agent, or Firm*—Meyertons, Hood, Kivlin, Kowert & Goetzel, P.C.

(57) **CLAIM**

The ornamental design for the container base, as shown and described.

**DESCRIPTION**

FIG. 1 is a perspective view, from above, of the container base.

FIG. 2 is a perspective view, from below, of the container base.

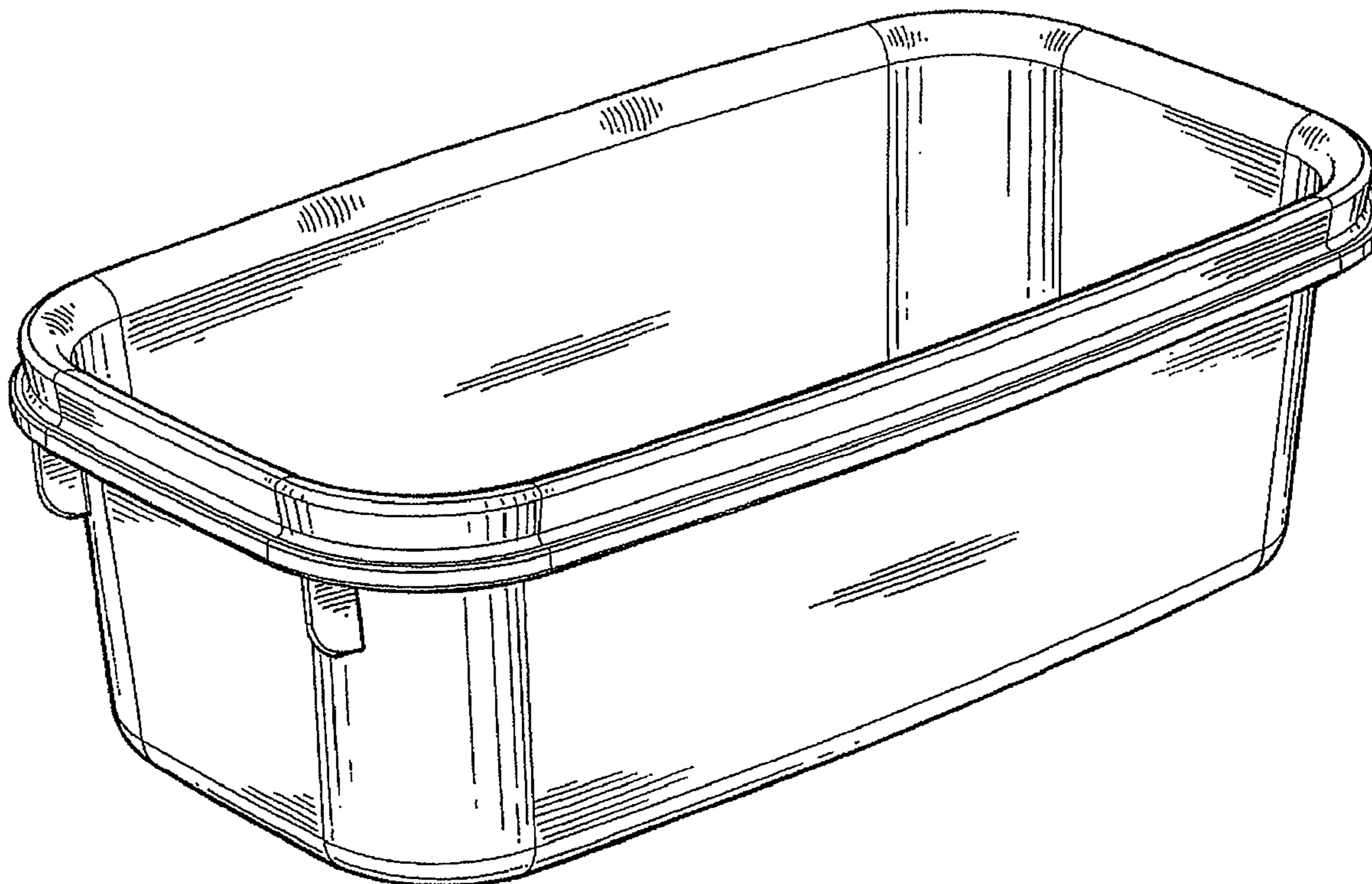
FIG. 3 is a front view of the container base. The back view of the container base is the same as the front view.

FIG. 4 is a right end view of the container base. The left end view is the same as the right end view.

FIG. 5 is a top view of the container base; and,

FIG. 6 is a bottom view of the container base.

**1 Claim, 3 Drawing Sheets**



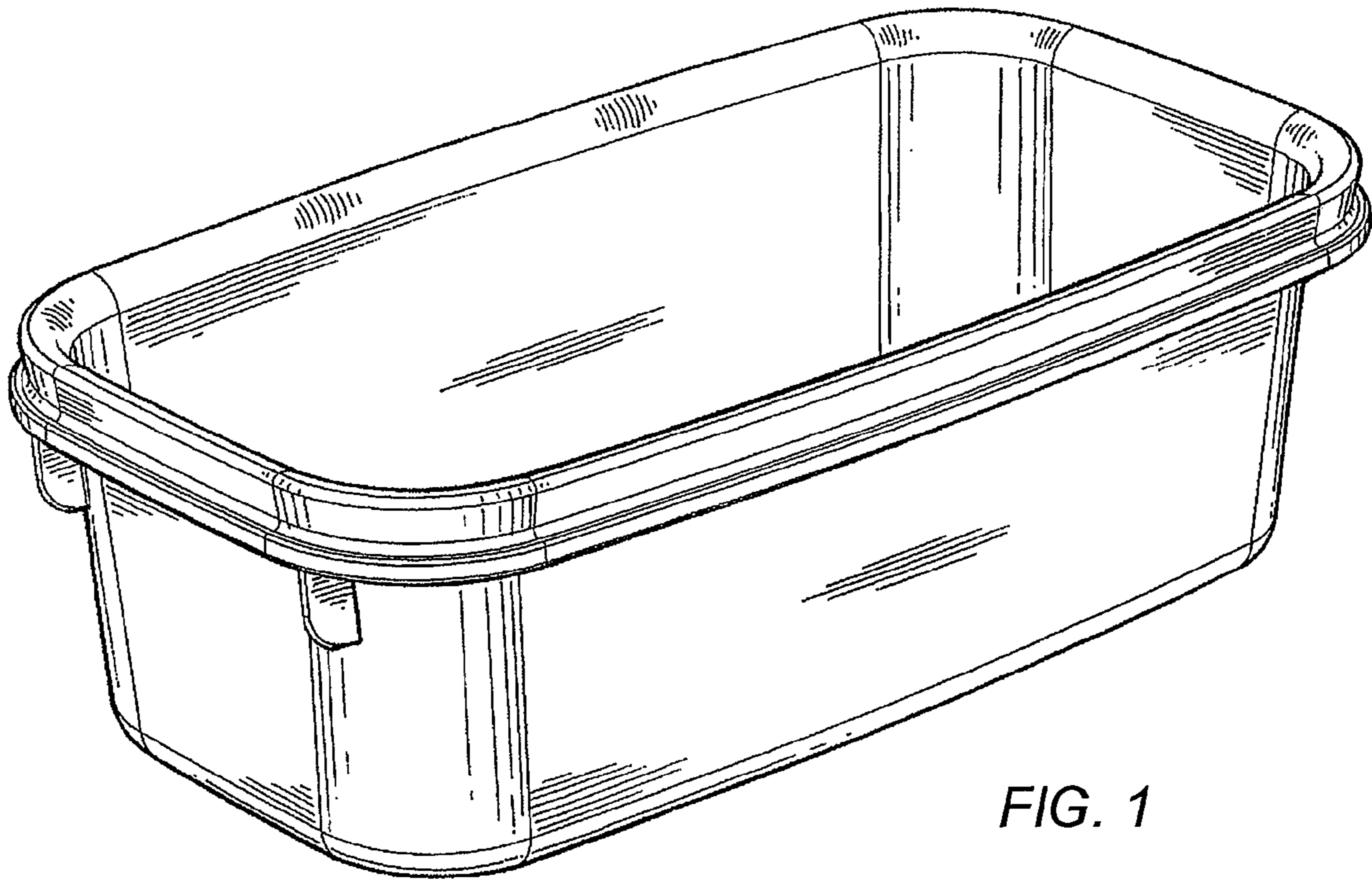


FIG. 1

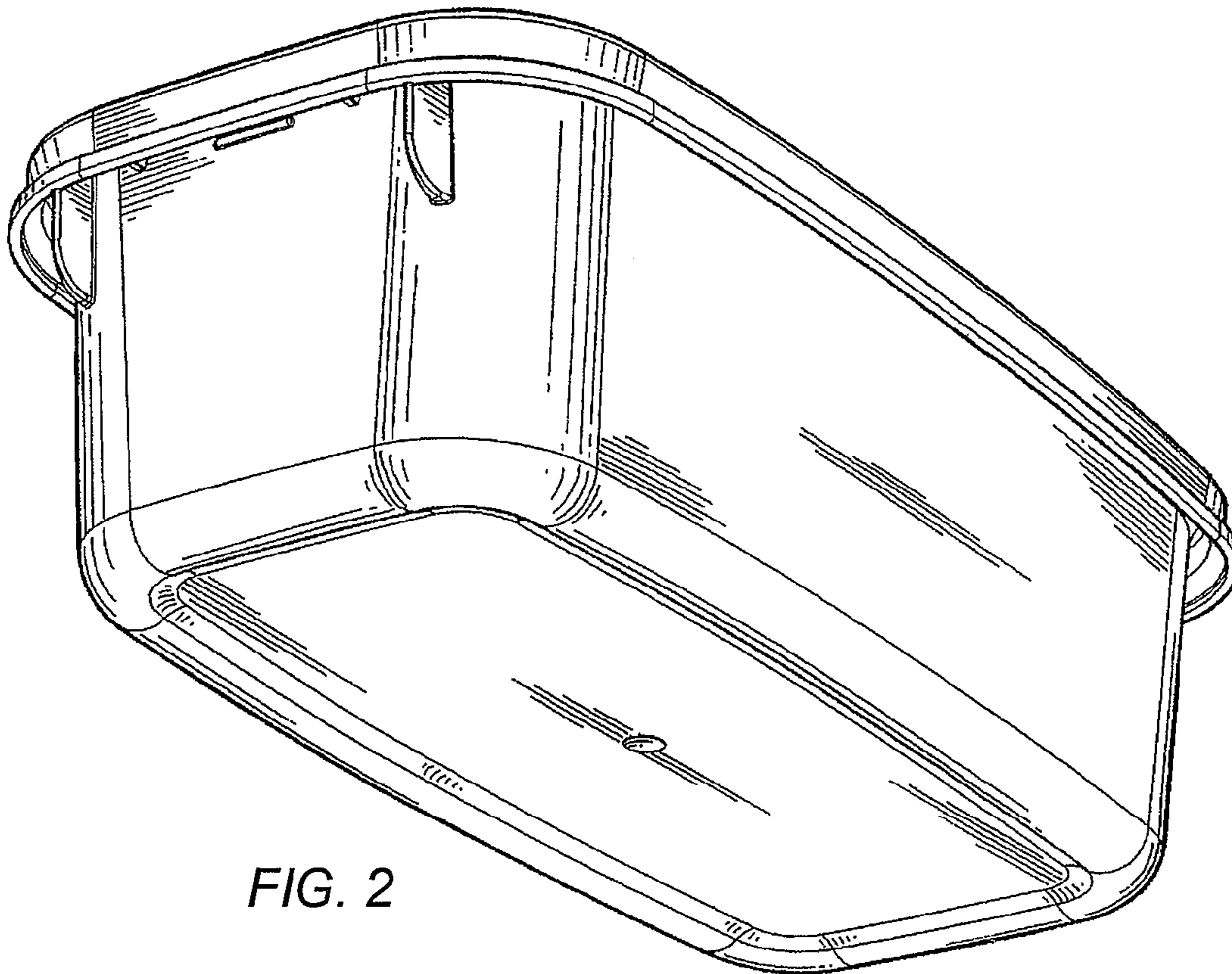


FIG. 2

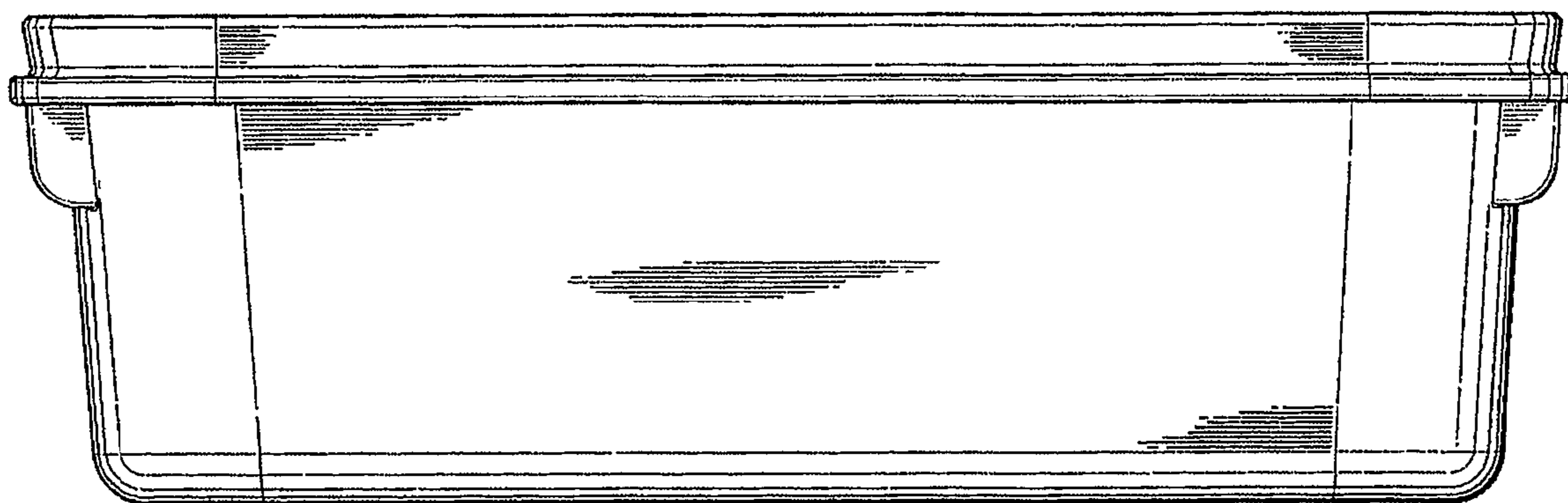


FIG. 3

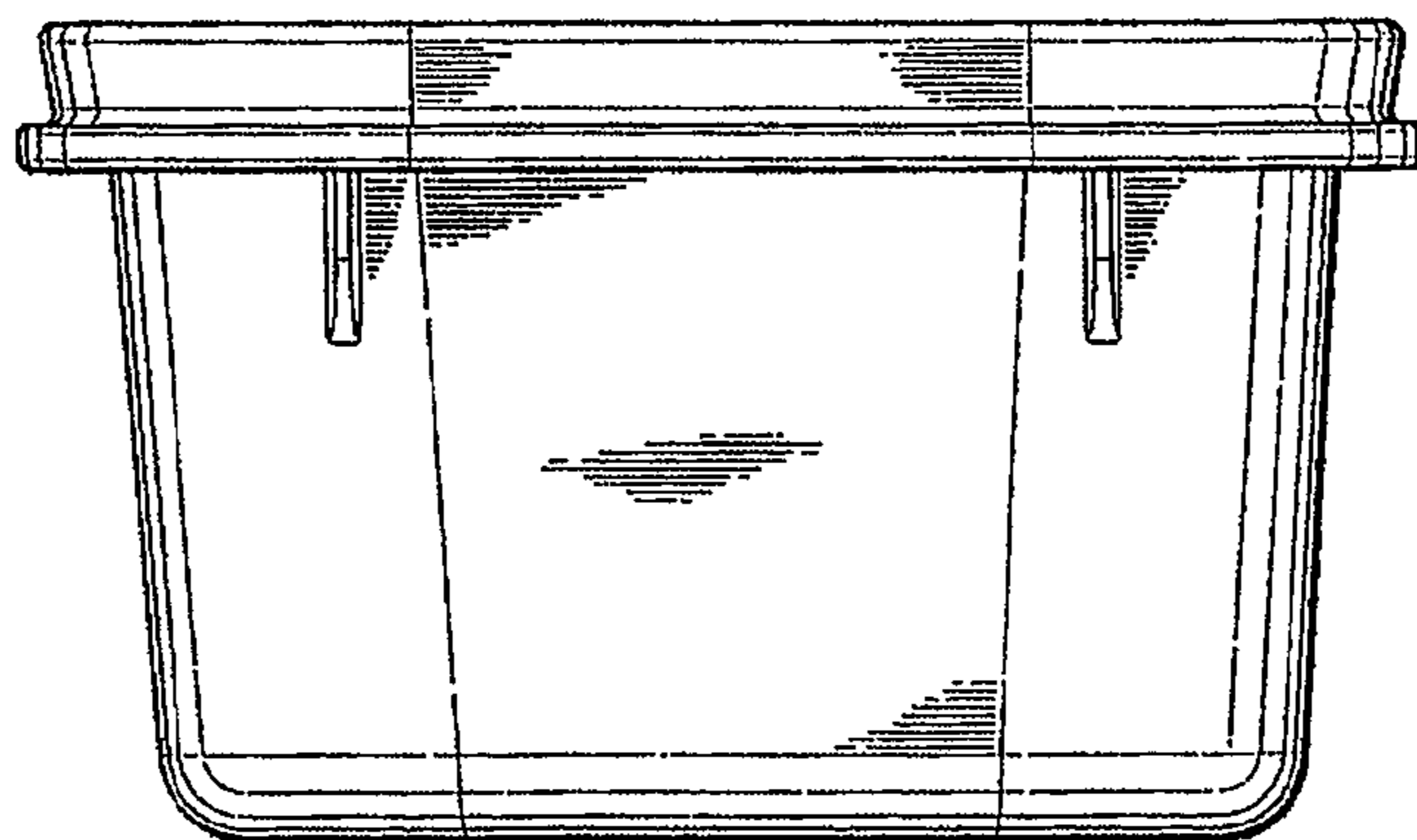


FIG. 4

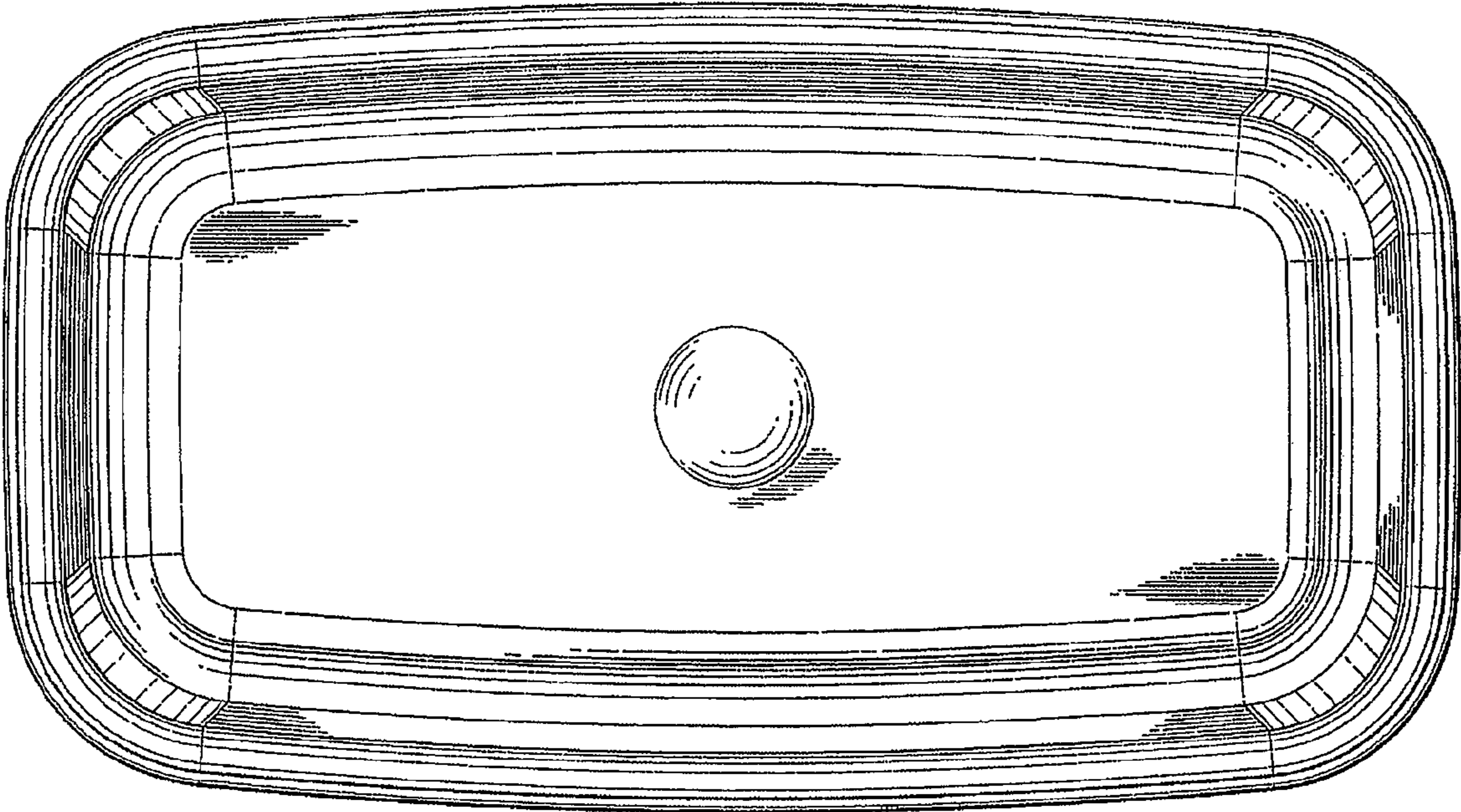


FIG. 5

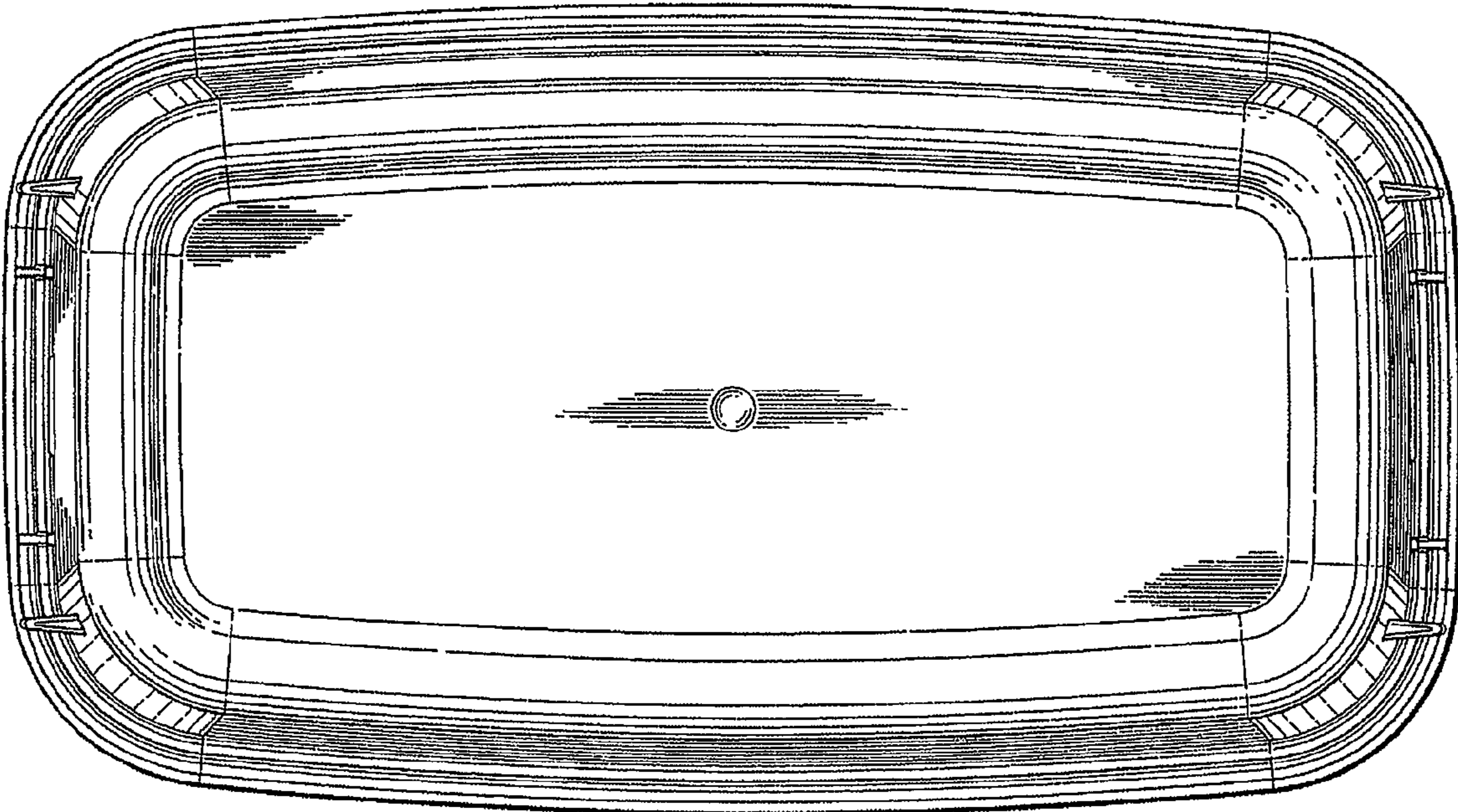


FIG. 6