



US00D614909S

(12) **United States Design Patent**
Lavy

(10) **Patent No.:** **US D614,909 S**

(45) **Date of Patent:** **** May 4, 2010**

(54) **SLOW COOKER**

(76) Inventor: **Danny Lavy**, 775 Lexington Ave.,
Westmont, Quebec (CA) H3Y 1K9

(**) Term: **14 Years**

(21) Appl. No.: **29/351,404**

(22) Filed: **Dec. 4, 2009**

(51) **LOC (9) Cl.** **07-02**

(52) **U.S. Cl.** **D7/355; D7/354**

(58) **Field of Classification Search** D7/323,
D7/330-331, 339, 347, 350-367, 378-379,
D7/383-384, 391-395, 542-545; 99/324-325,
99/329 R, 330-339, 400, 412-413, 425; 219/417,
219/432-433, 452.11, 438-441, 620-622,
219/725-730; 220/203.1, 203.07, 203.09,
220/298, 303, 316, 356.1, 573.1-574, 769,
220/912; 426/438, 441

See application file for complete search history.

(56) **References Cited**

U.S. PATENT DOCUMENTS

381,784 A *	4/1888	Hornish	99/339
D101,329 S *	9/1936	Cory	D7/364
D132,252 S *	5/1942	Faunce	D7/353
D167,077 S *	6/1952	Gunther	D7/357
D171,000 S *	12/1953	Levine	D7/357
2,731,539 A *	1/1956	Pavelka, Jr.	219/417
D260,958 S *	9/1981	Nishikawa	D7/357
D488,670 S *	4/2004	Chan	D7/357
D507,452 S *	7/2005	Chan	D7/357
D541,585 S *	5/2007	Lee	D7/364
D566,459 S *	4/2008	Doo	D7/364
D567,016 S *	4/2008	Chan	D7/364
2002/0033390 A1 *	3/2002	Von Mosshaim	219/452.11

* cited by examiner

Primary Examiner—Caron Veynar

Assistant Examiner—Ricky Pham

(74) *Attorney, Agent, or Firm*—Cook Alex Ltd.

(57) **CLAIM**

The ornamental design for a slow cooker, as shown and described.

DESCRIPTION

FIG. 1 is a front perspective view of a slow cooker showing my new design;

FIG. 2 is a front elevational view of the slow cooker shown in FIG. 1;

FIG. 3 is a rear elevational view of the slow cooker shown in FIG. 1;

FIG. 4 is a top plan view of the slow cooker shown in FIG. 1, a bottom plan view not being shown as it is devoid of ornamentation;

FIG. 5 is a right side elevational view of the slow cooker shown in FIG. 1, the left side being a mirror image of the right side;

FIG. 6 is a front perspective view of the slow cooker shown in FIG. 1, with the lids removed;

FIG. 7 is a front elevational view of the slow cooker shown in FIG. 6;

FIG. 8 is a rear elevational view of the slow cooker shown in FIG. 6;

FIG. 9 is a right side elevational view of the slow cooker shown in FIG. 6, the left side being a mirror image of the right side; and,

FIG. 10 is a top plan view of the slow cooker shown in FIG. 6, a bottom plan view not being shown as it is devoid of ornamentation.

The broken lines shown in the Figures are used for illustrative purposes only and form no part of the claimed design.

1 Claim, 8 Drawing Sheets

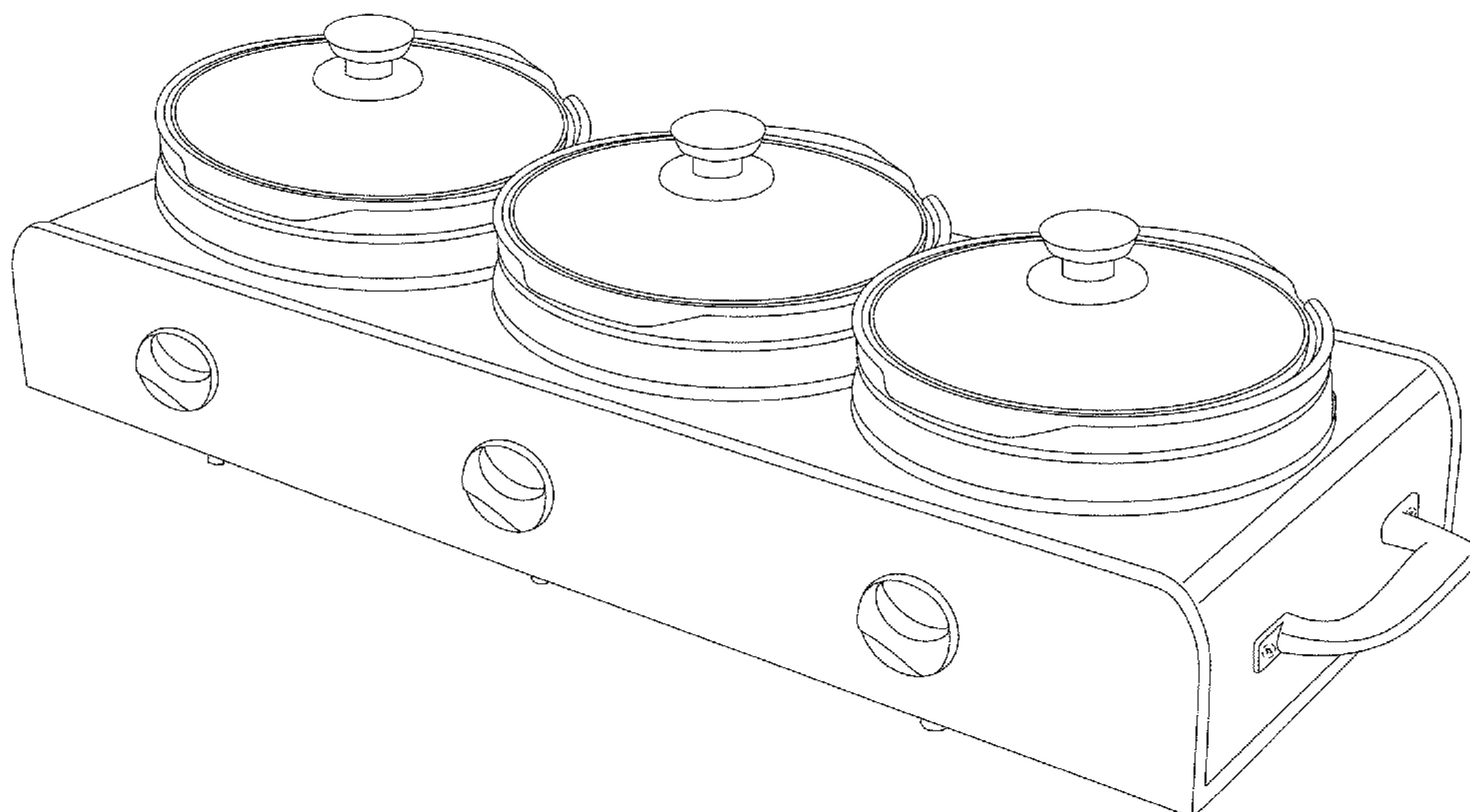


Fig. 1

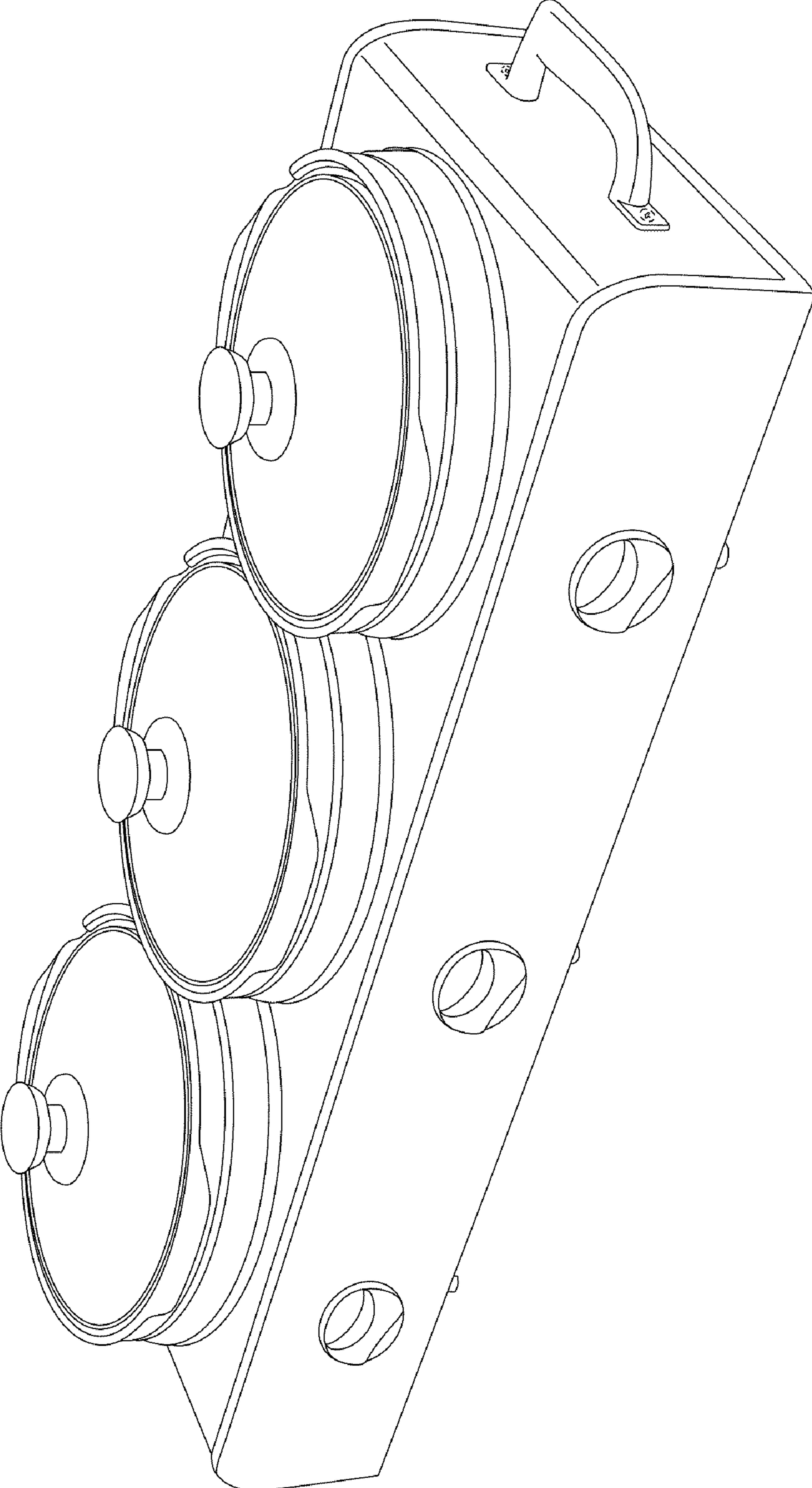


Fig. 2

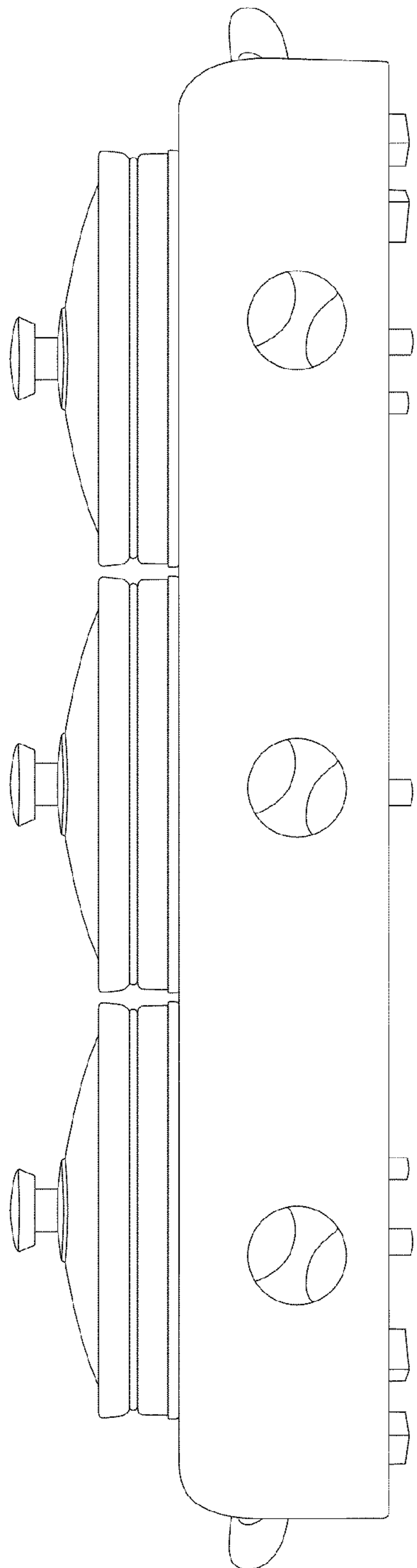


Fig. 3

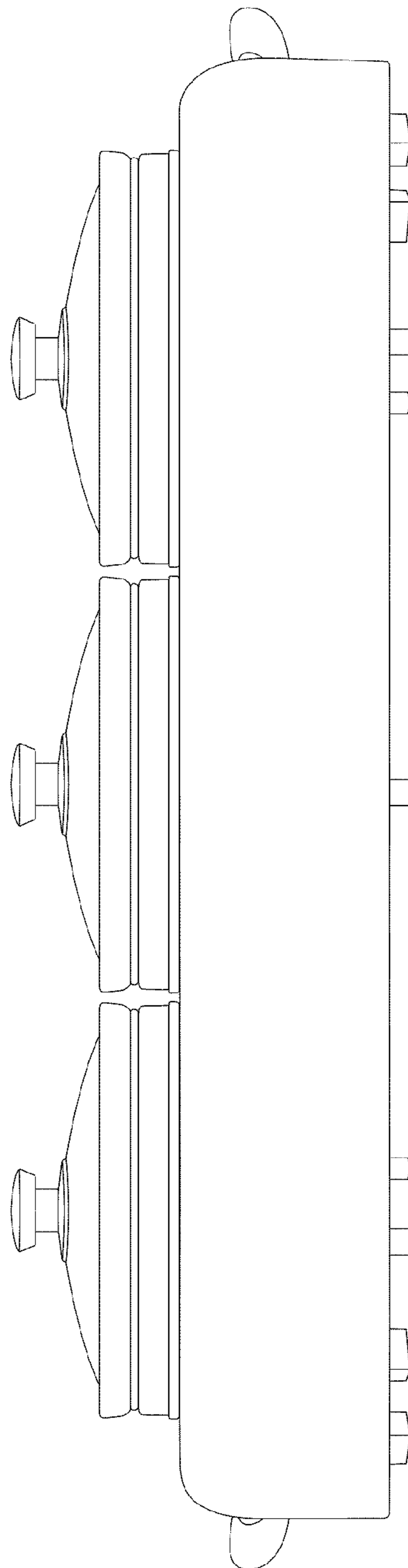


Fig. 4

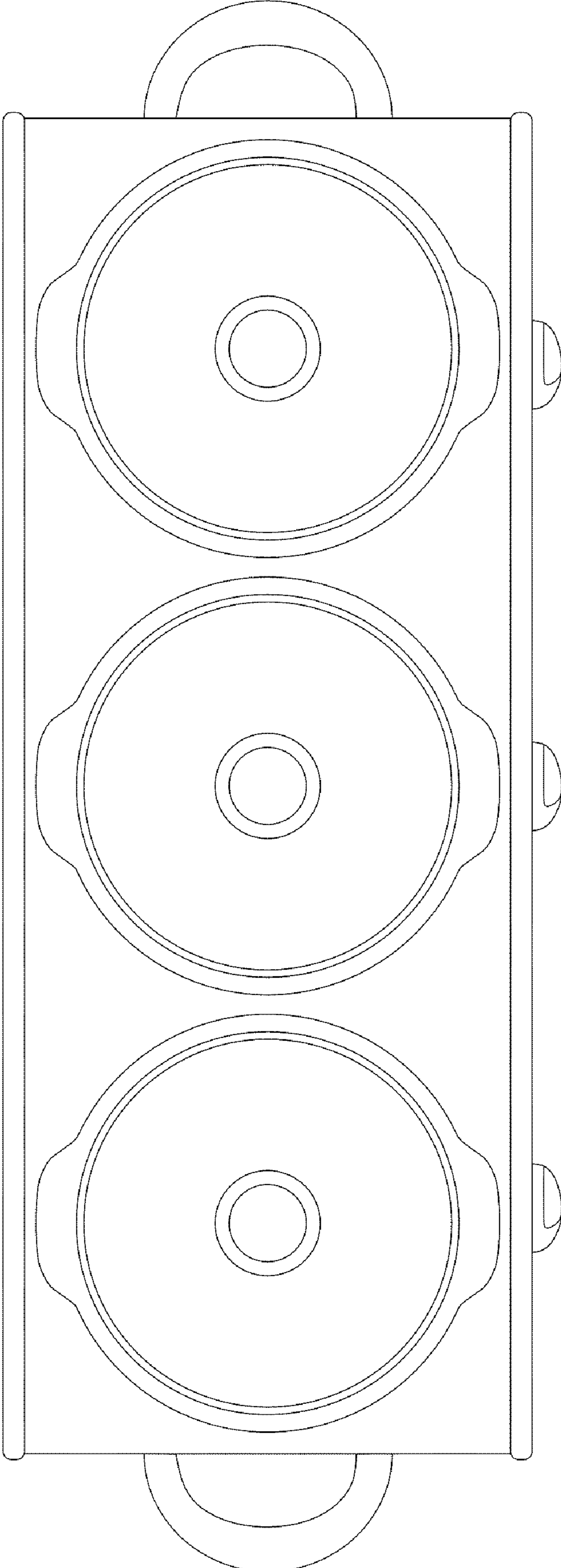


Fig. 5

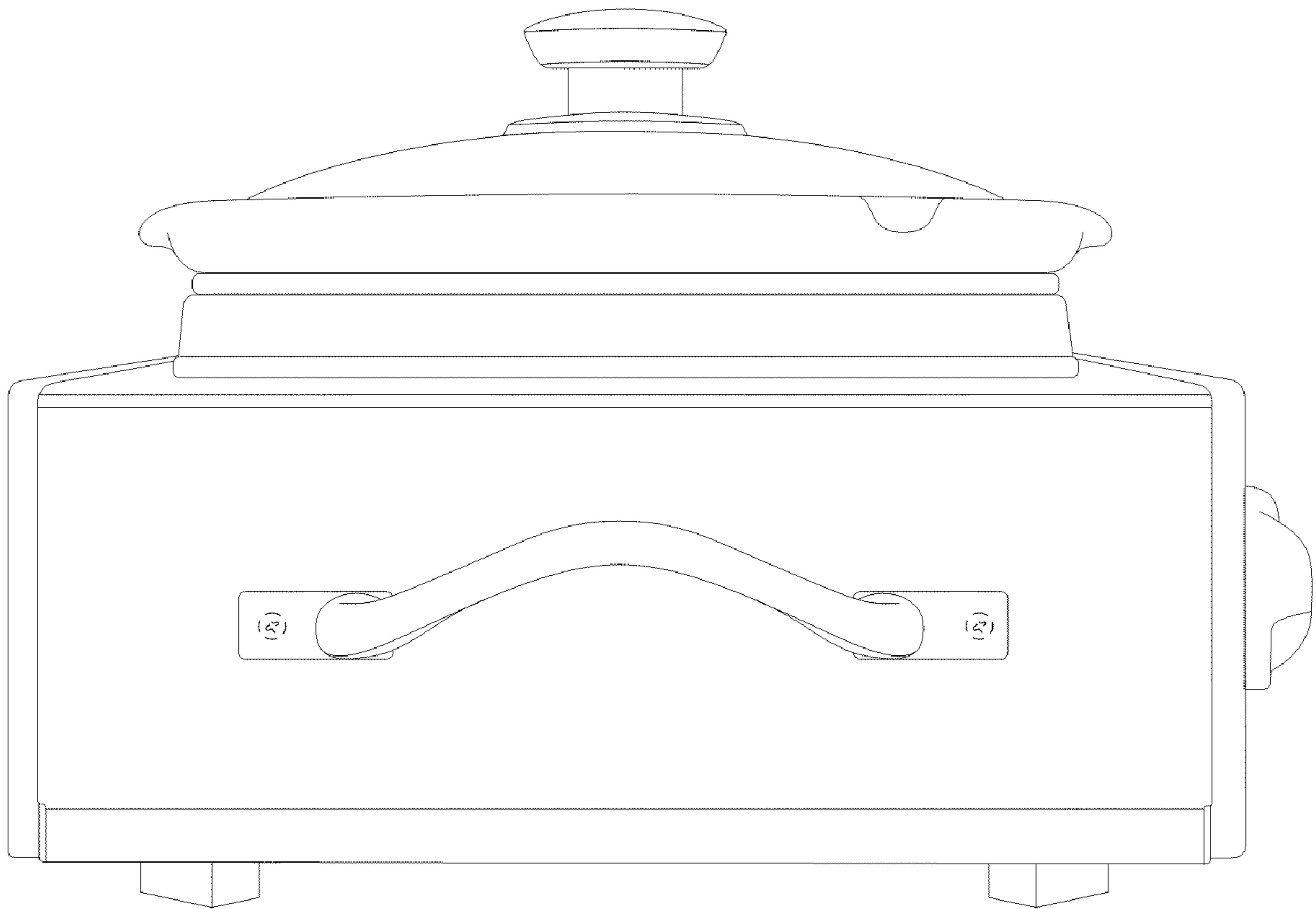


Fig. 6

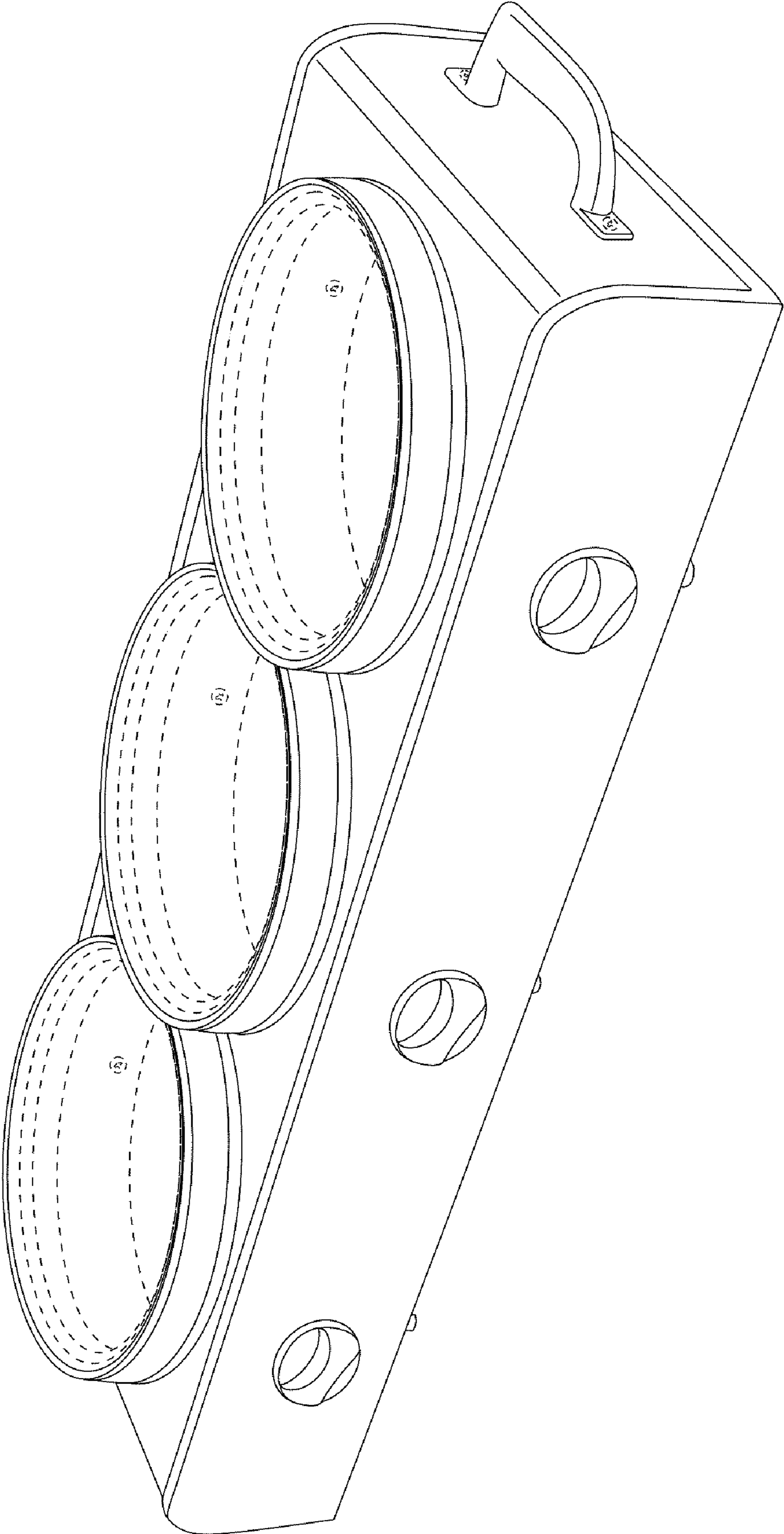


Fig. 7

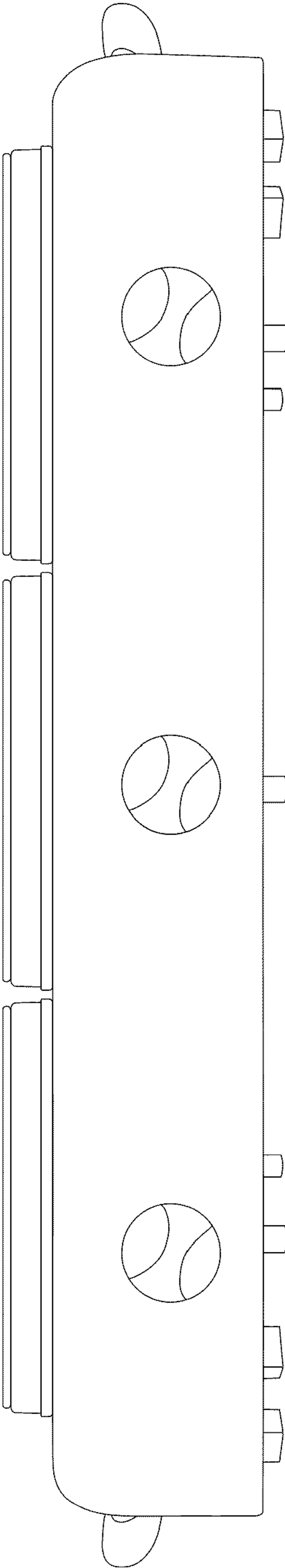


Fig. 8

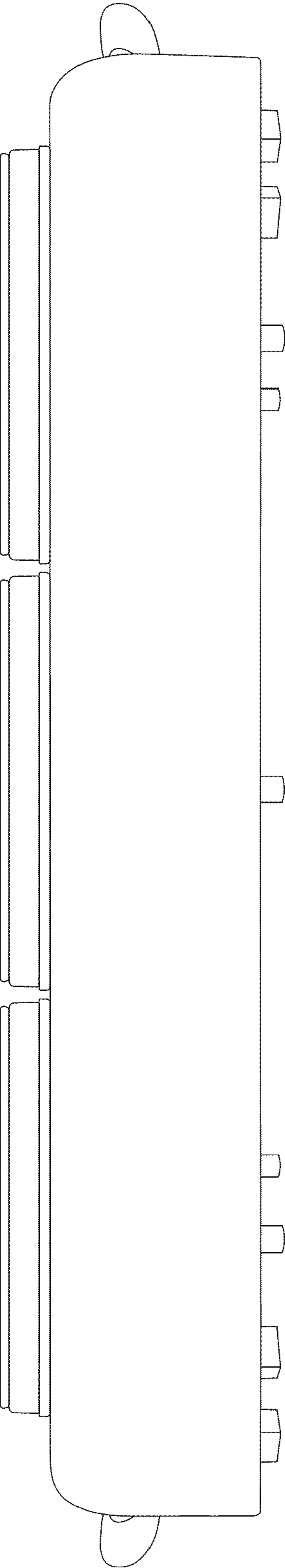


Fig. 9

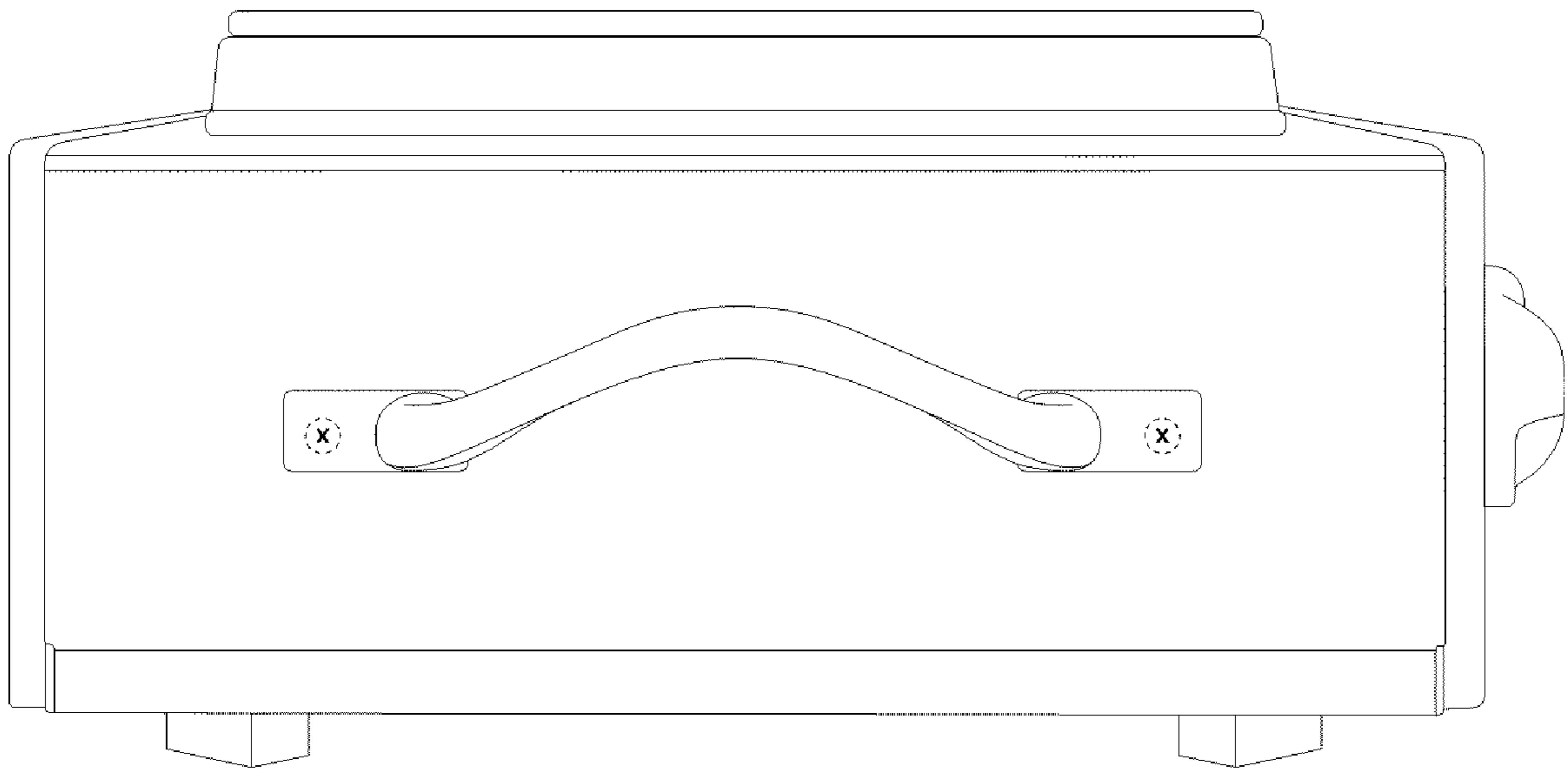


Fig. 10

