



US00D614908S

(12) **United States Design Patent**
Berge

(10) **Patent No.:** **US D614,908 S**

(45) **Date of Patent:** **** May 4, 2010**

(54) **SLOW COOKER SKILLET**

7,228,792 B2 * 6/2007 Crawford et al. 99/400

(75) Inventor: **Michael R. Berge**, Eau Claire, WI (US)

(73) Assignee: **National Presto Industries, Inc.**, Eau Claire, WI (US)

(**) Term: **14 Years**

(21) Appl. No.: **29/351,217**

(22) Filed: **Dec. 2, 2009**

(51) **LOC (9) Cl.** **07-02**

(52) **U.S. Cl.** **D7/355; D7/354**

(58) **Field of Classification Search** D7/323,
D7/330-331, 339, 347, 350-367, 378-379,
D7/383-384, 391-395, 542-545; 99/324-325,
99/329 R, 330-339, 400, 412-413, 425; 219/432-433,
219/438-441, 620-622, 725-730; 220/203.1,
220/203.07, 203.09, 298, 303, 316, 356.1,
220/573.1-574, 769, 912; 426/438, 441
See application file for complete search history.

(56) **References Cited**

U.S. PATENT DOCUMENTS

D241,601 S *	9/1976	Cook	D7/356
4,270,067 A *	5/1981	Thomas et al.	219/438
D284,257 S	6/1986	Greb et al.		
D359,652 S *	6/1995	Mendelson et al.	D7/362
5,467,696 A *	11/1995	Everhart	99/425
D369,272 S *	4/1996	Mendelson et al.	D7/360
5,656,188 A *	8/1997	Janowiak et al.	219/438
D437,182 S *	2/2001	Choi	D7/360
D444,342 S *	7/2001	Kruepke et al.	D7/360
D444,994 S	7/2001	Kalina et al.		
D503,584 S *	4/2005	White et al.	D7/355
D525,076 S *	7/2006	Olsen et al.	D7/353

OTHER PUBLICATIONS

Presto SlowCook'nMore Electric Multi-Cooker Product Bulletin, 2003, 2 pages.
Presto Electric Skillet and Server Product Bulletin, 2003, 2 pages.
Presto Professional Electric Skillet and Server Product Bulletin, 2003, 2 pages.

* cited by examiner

Primary Examiner—Caron Veynar

Assistant Examiner—Ricky Pham

(74) *Attorney, Agent, or Firm*—Patterson, Thuente, Skaar & Christensen, P.A.

(57) **CLAIM**

I claim the ornamental design for slow cooker skillet, as shown.

DESCRIPTION

FIG. 1 is an exploded, front perspective view of a slow cooker skillet according to an embodiment of the invention.

FIG. 2 is an exploded, front view of the slow cooker skillet of FIG. 1.

FIG. 3 is a perspective, front view of the slow cooker skillet of FIG. 1.

FIG. 4 is a bottom view of the slow cooker skillet of FIG. 1.

FIG. 5 is a left side view of the slow cooker skillet of FIG. 1.

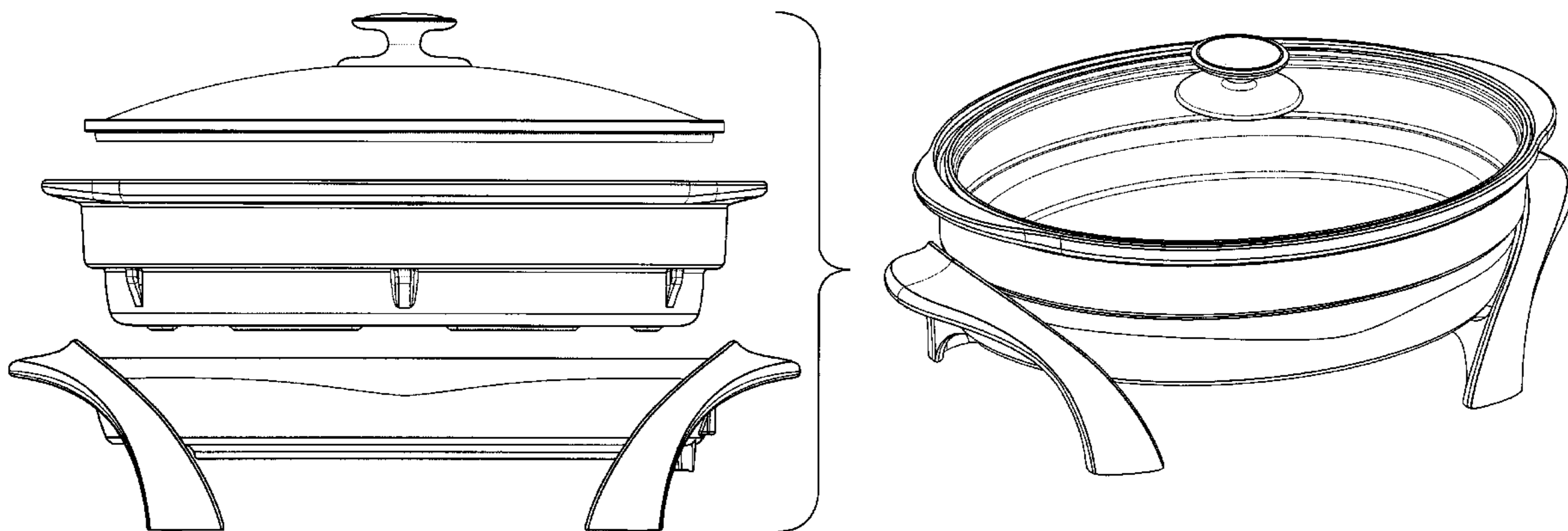
FIG. 6 is a rear view of the slow cooker skillet of FIG. 1.

FIG. 7 is a right side view of the slow cooker skillet of FIG. 1.

FIG. 8 is a front view of the slow cooker skillet of FIG. 1; and,

FIG. 9 is a top view of the slow cooker skillet of FIG. 1.

1 Claim, 9 Drawing Sheets



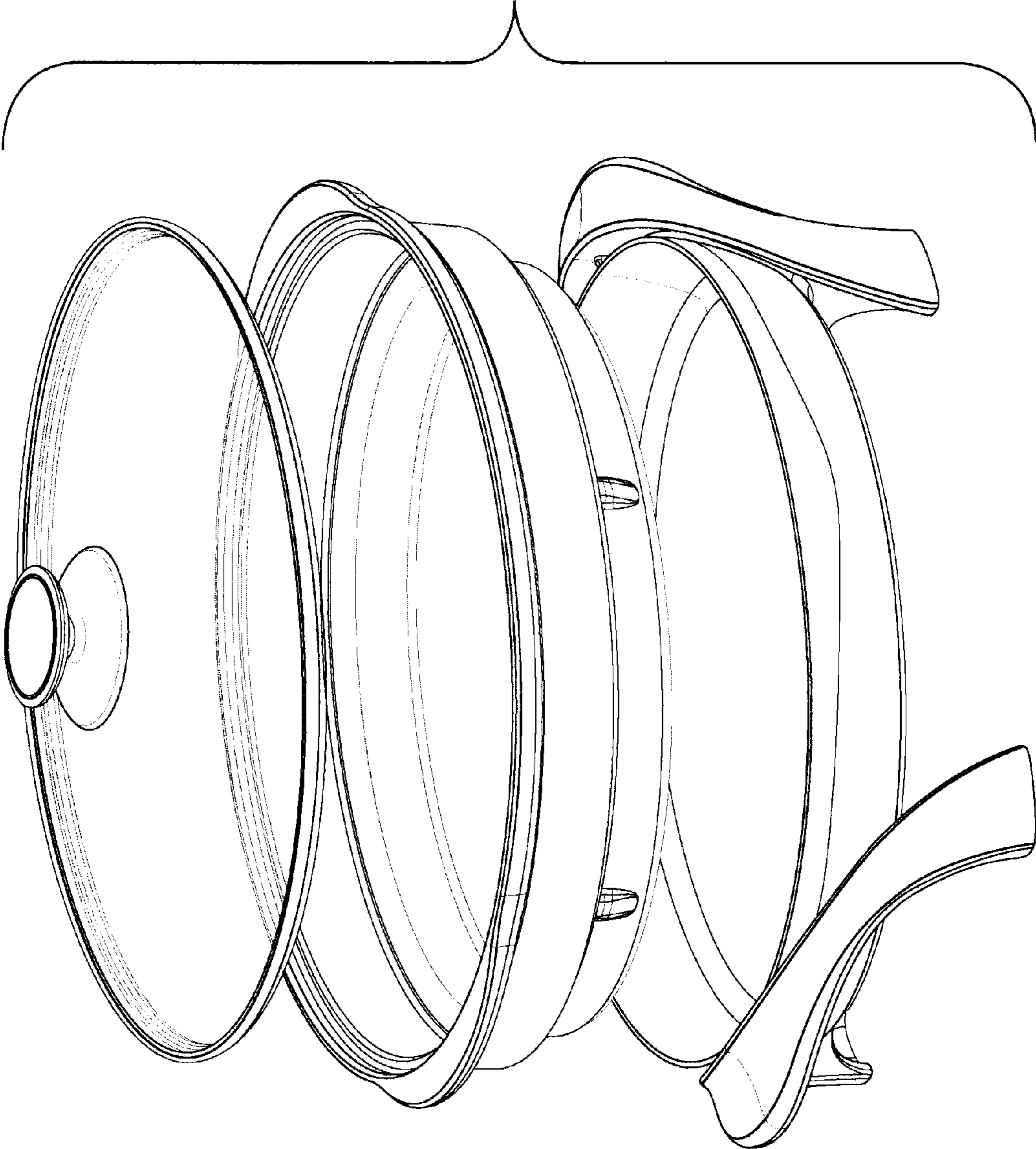


fig. 1



fig. 2

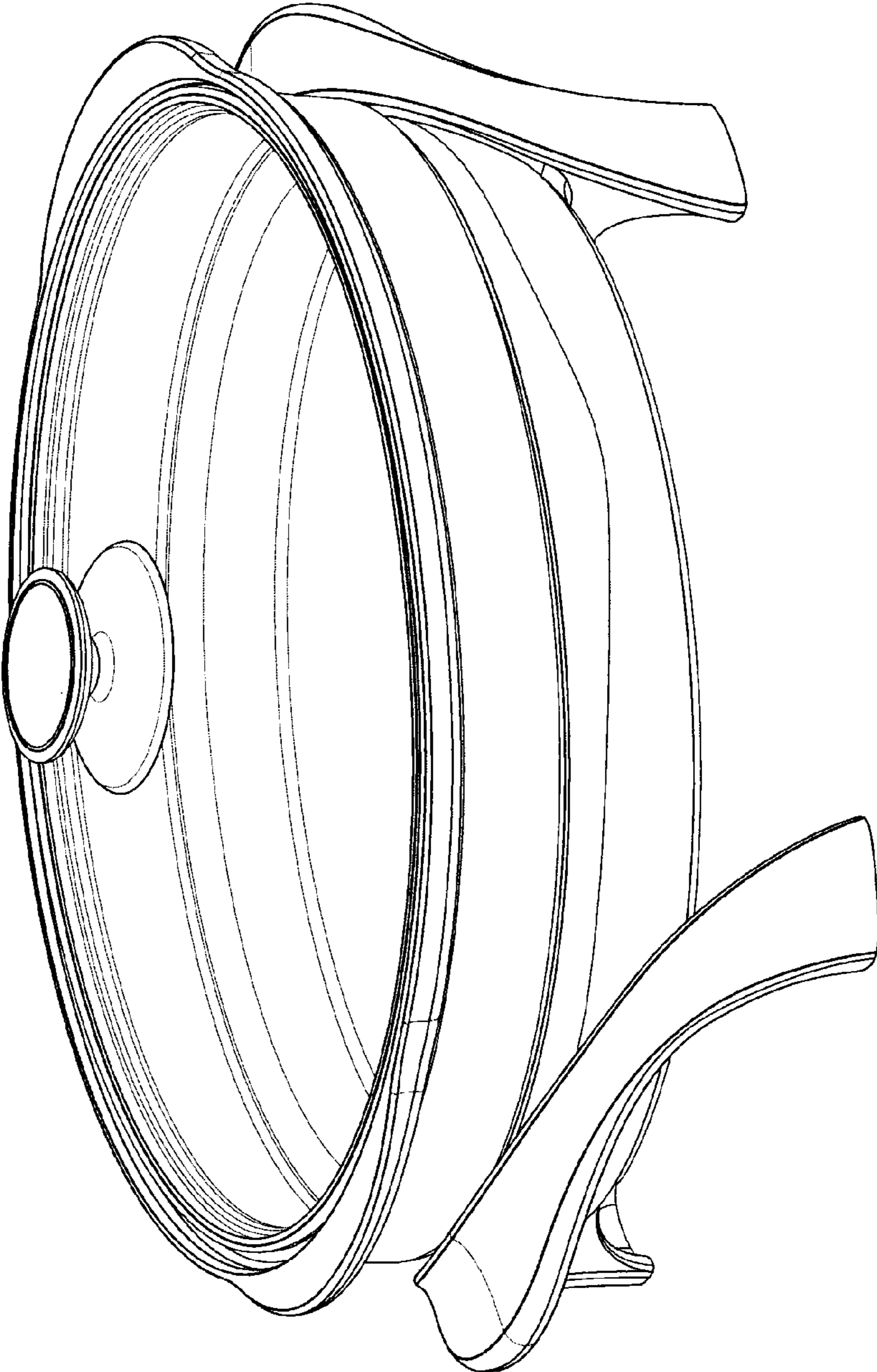


fig. 3

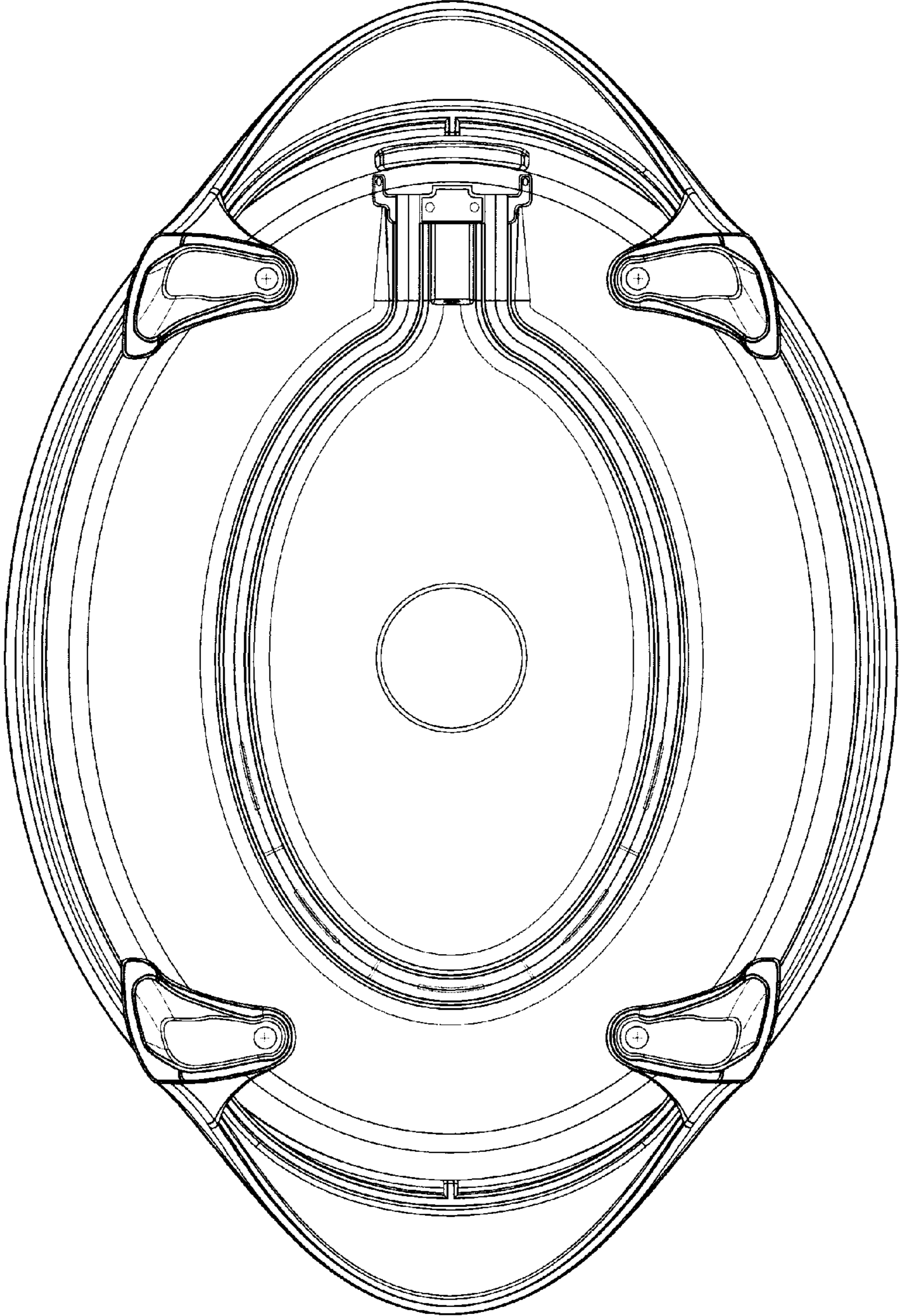


fig. 4

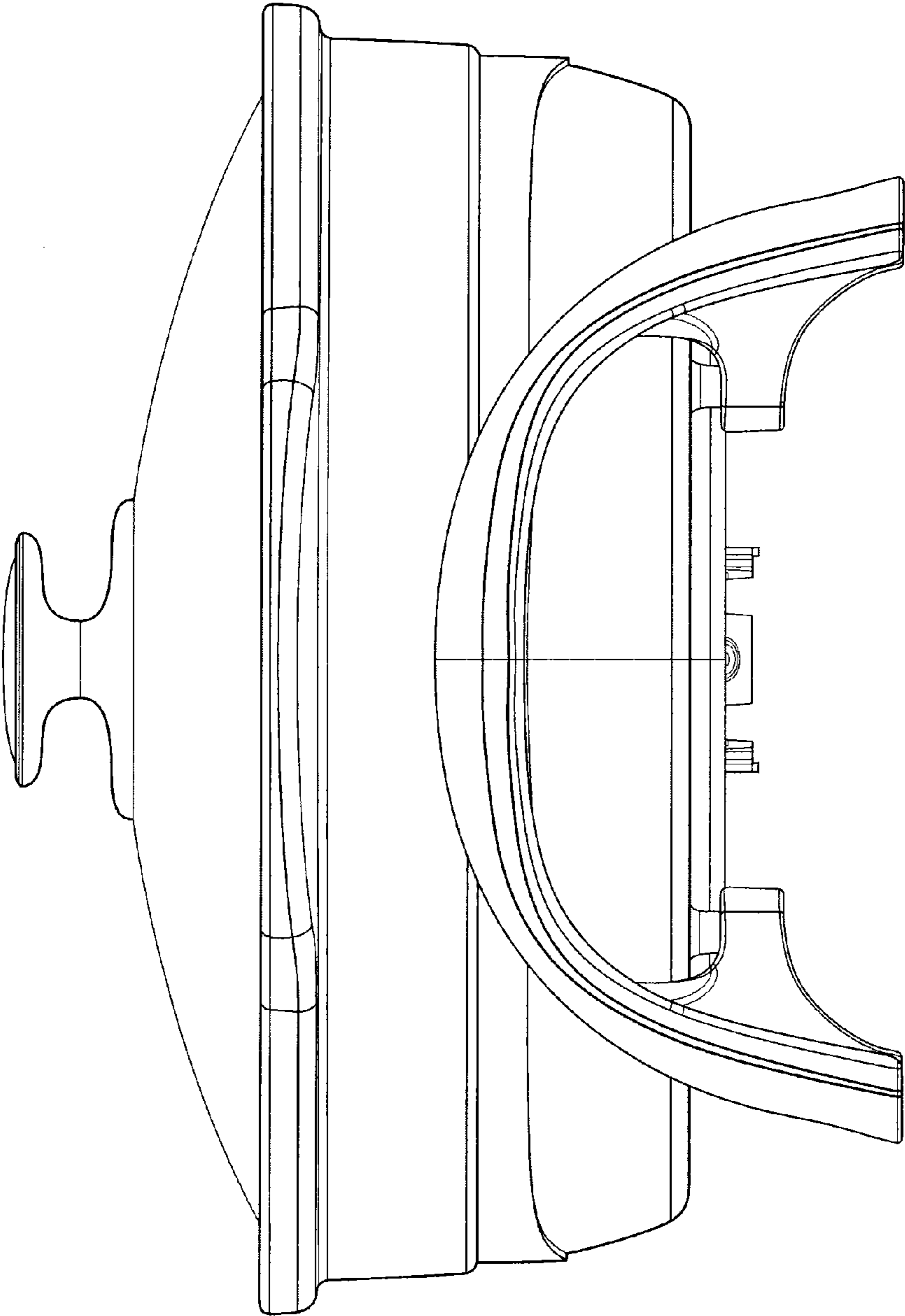


fig. 5

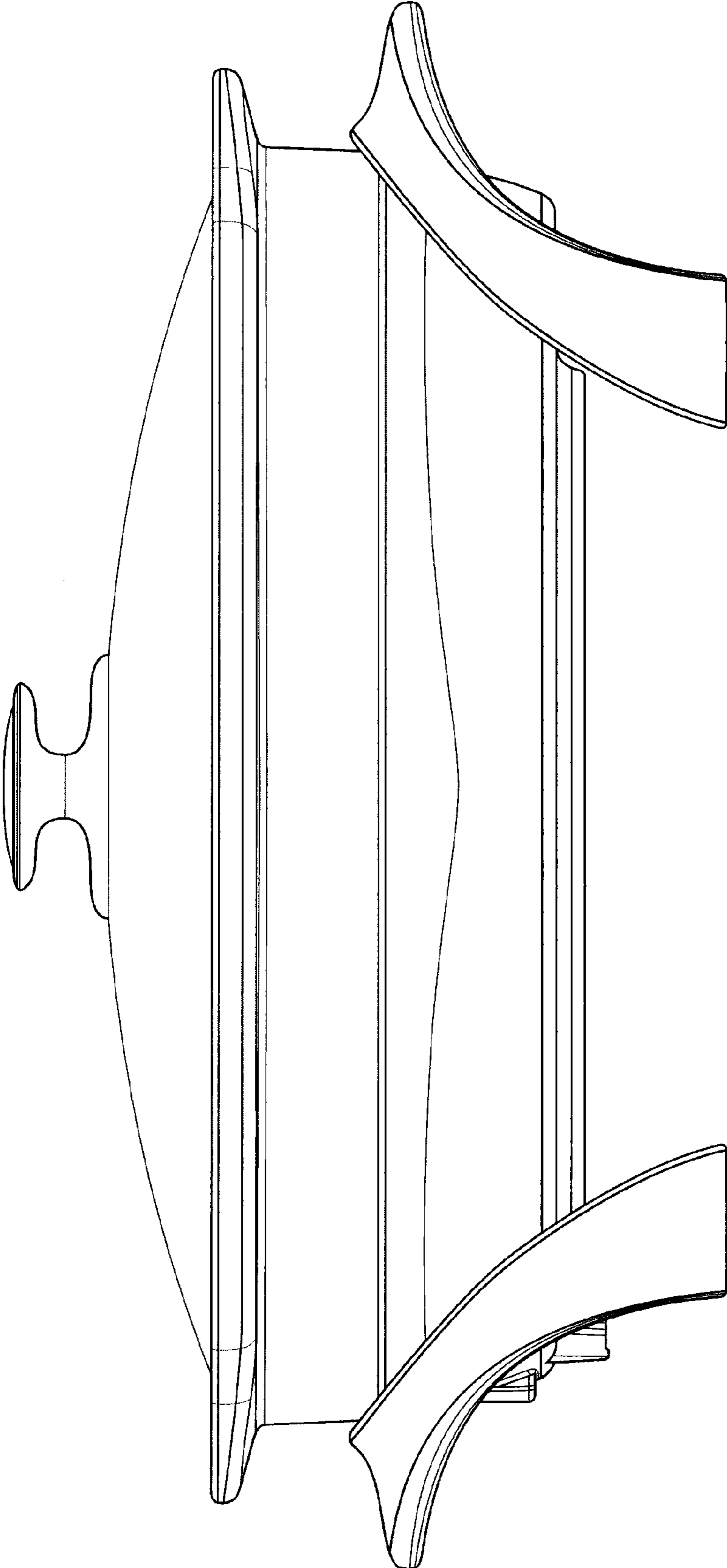


fig. 6

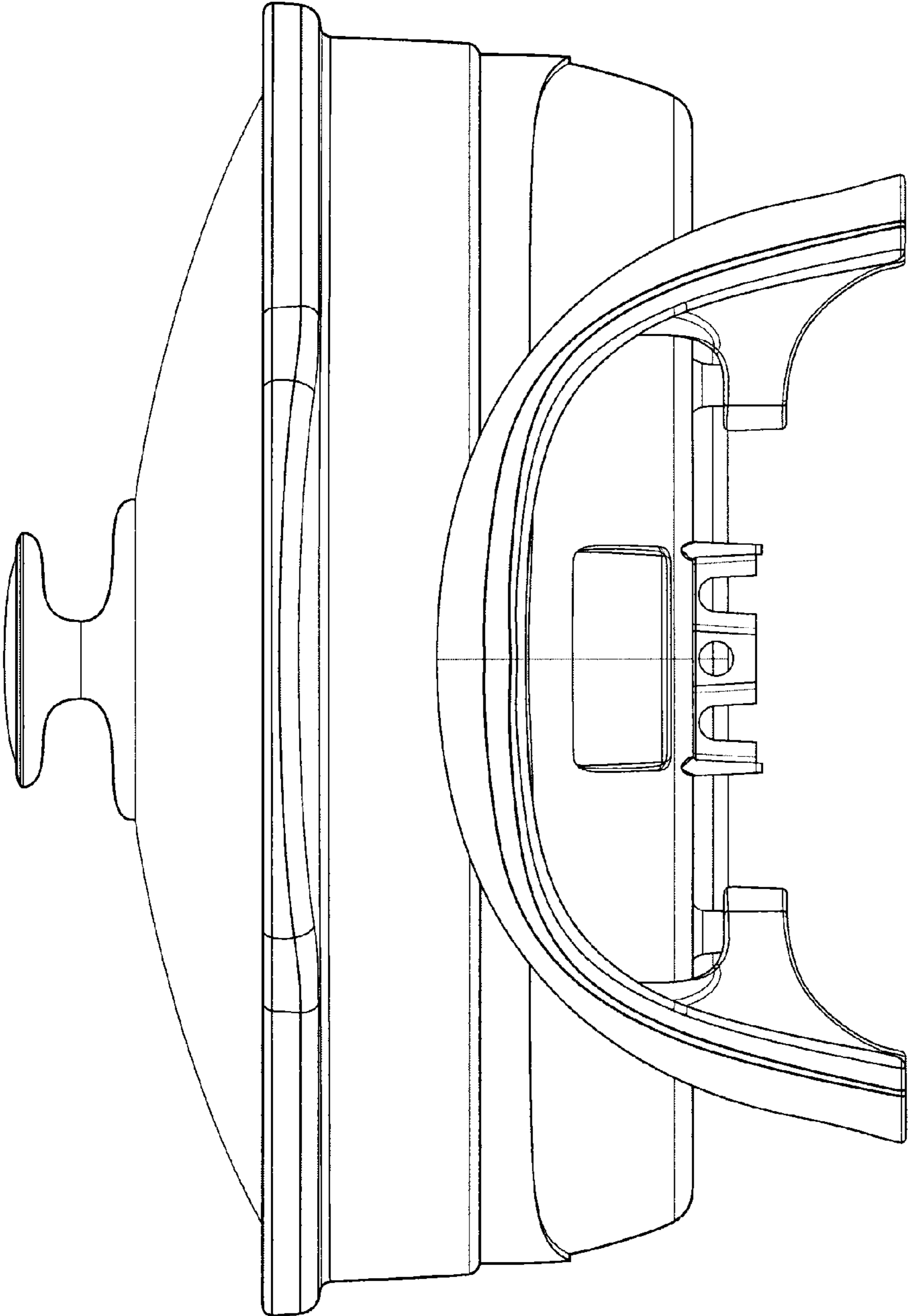


fig. 7

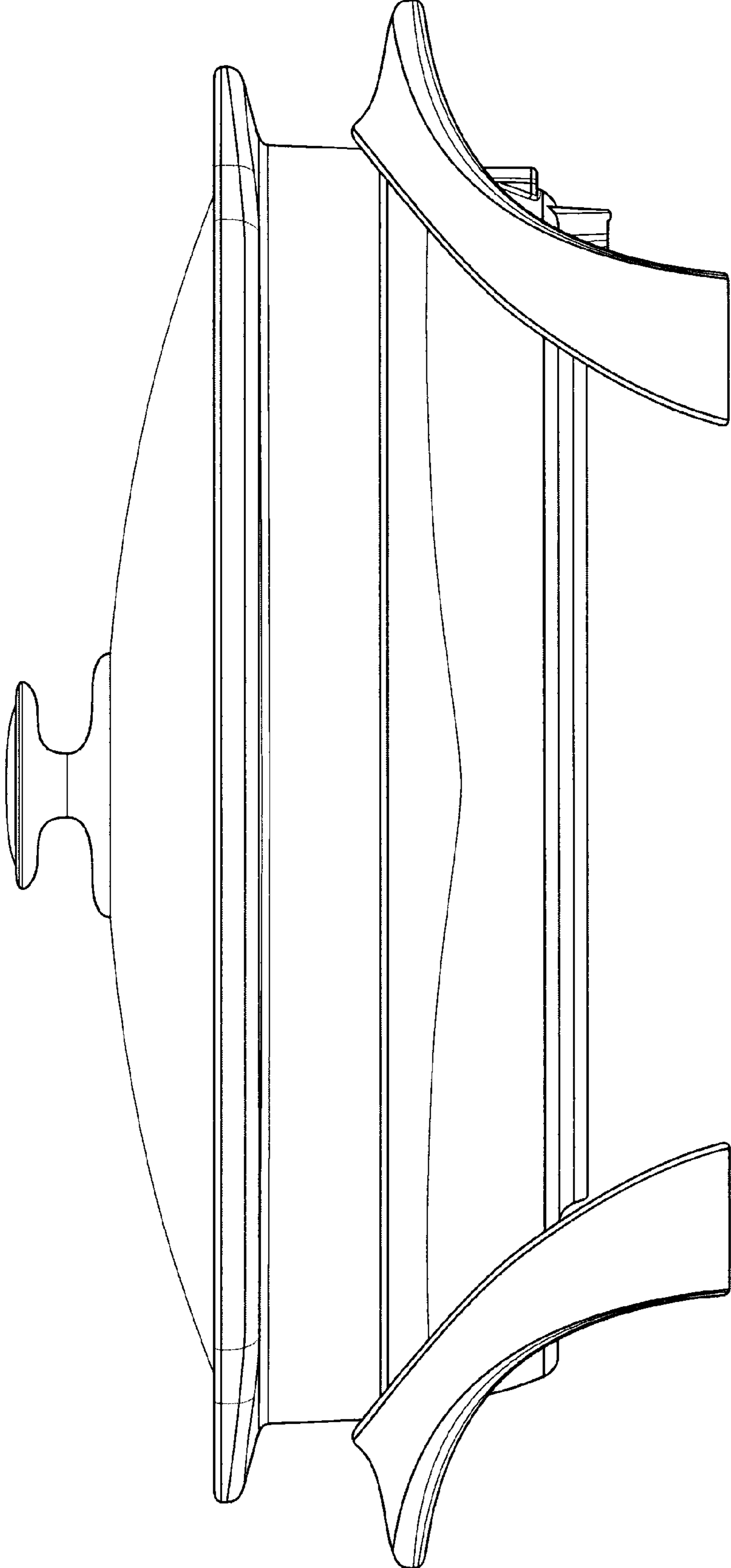


fig. 8

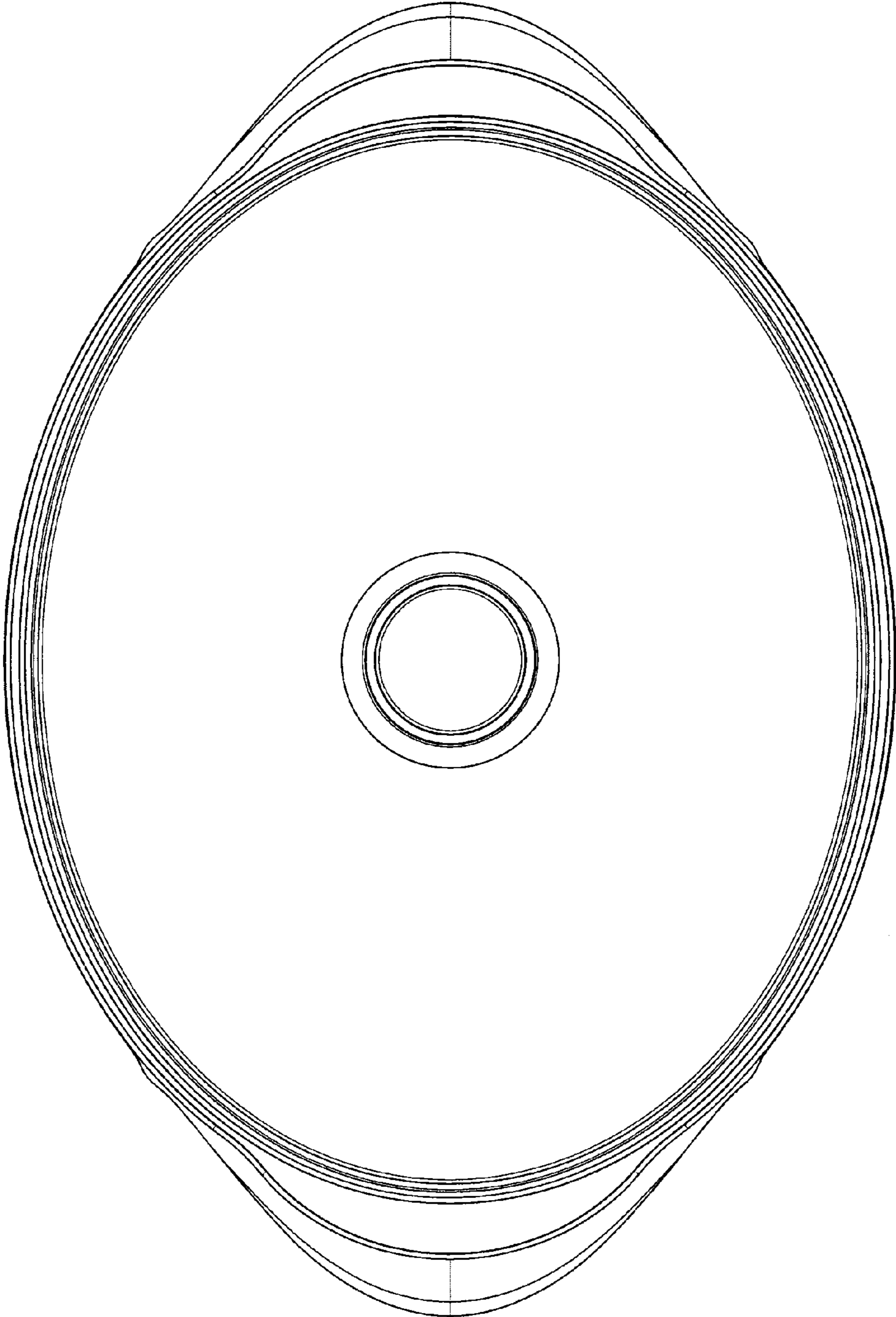


fig. 9