



US00D614907S

(12) **United States Design Patent**
Sindeaux et al.

(10) **Patent No.:** **US D614,907 S**

(45) **Date of Patent:** **** May 4, 2010**

(54) **MICROWAVE OVEN**

(75) Inventors: **Gustavo Eugenio Monteiro Sindeaux**,
Curitiba (BR); **Alexandre Chauffaille**
Drummond, Curitiba (BR); **Rafael**
Amaral Alonso Lopes, Curitiba (BR);
Gabriel Gemael Polycarpo Lied,
Curitiba (BR)

(73) Assignee: **Electrolux Do Brasil S.A.**, Curitiba-PR
(BR)

(**) Term: **14 Years**

(21) Appl. No.: **29/336,868**

(22) Filed: **May 11, 2009**

(30) **Foreign Application Priority Data**

Nov. 10, 2008 (BR) DI6804933

(51) **LOC (9) Cl.** **07-02**

(52) **U.S. Cl.** **D7/351**

(58) **Field of Classification Search** D7/351,
D7/350.1, 350.3, 350.4, 402, 405, 406; 219/678,
219/756-758; 126/19 M, 275 E
See application file for complete search history.

(56) **References Cited**

U.S. PATENT DOCUMENTS

D329,164 S * 9/1992 Edman D7/351
D439,468 S * 3/2001 Kim D7/351
D442,820 S * 5/2001 Kim D7/351
D442,821 S * 5/2001 Naganuma D7/351

D451,753 S * 12/2001 Chouya D7/351
D462,102 S * 8/2002 Urbik D21/794
D468,577 S * 1/2003 Kanza et al. D7/351
D509,400 S * 9/2005 Kanza D7/351
D522,800 S * 6/2006 Lee et al. D7/351
D561,529 S * 2/2008 Suh et al. D7/405
D562,057 S * 2/2008 Kim D7/351
D576,835 S * 9/2008 Shin et al. D7/351
D583,614 S * 12/2008 Chung et al. D7/351

* cited by examiner

Primary Examiner—Ruth McInroy

(74) *Attorney, Agent, or Firm*—Buchanan Ingersoll &
Rooney PC

(57) **CLAIM**

The ornamental design for a microwave oven, as shown and
described.

DESCRIPTION

FIG. 1 is a front, right perspective view of a microwave oven
according to our new design.

FIG. 2 is a front, left perspective thereof.

FIG. 3 is a top plan view thereof.

FIG. 4 is a front elevational view thereof.

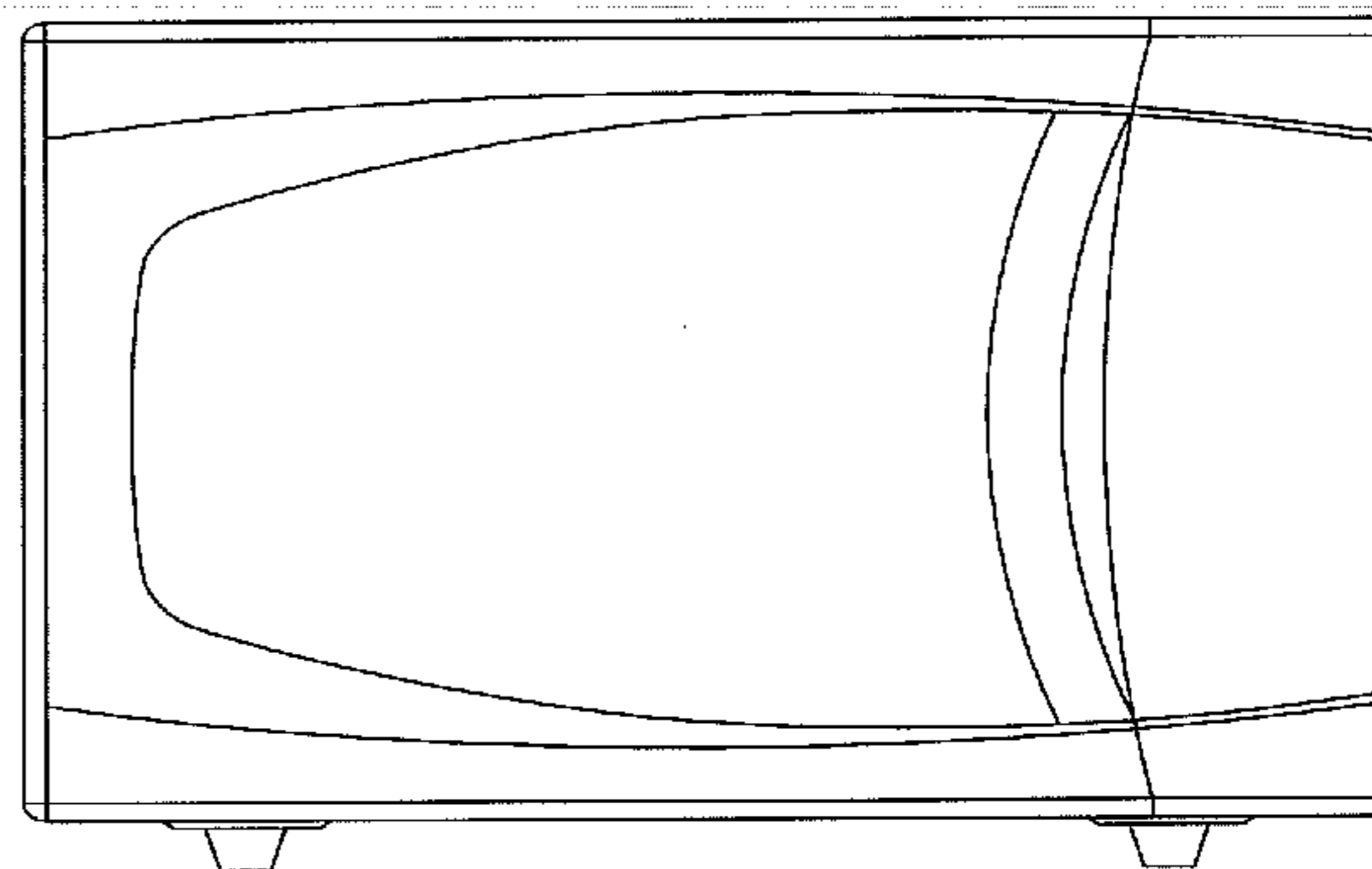
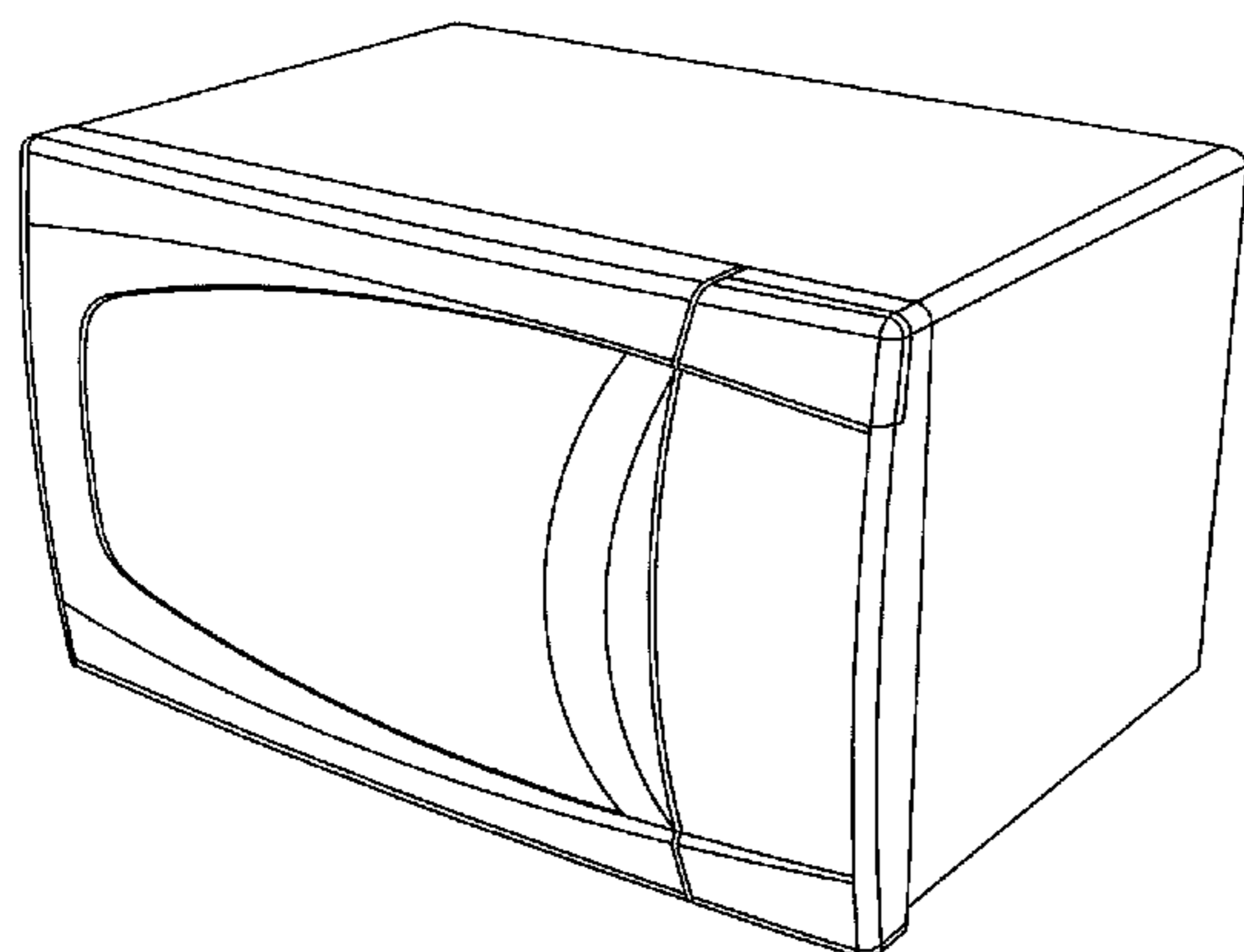
FIG. 5 is a right side elevational view thereof.

FIG. 6 is a rear elevational view thereof.

FIG. 7 is a left side elevational view thereof; and,

FIG. 8 is a bottom plan view thereof.

1 Claim, 4 Drawing Sheets



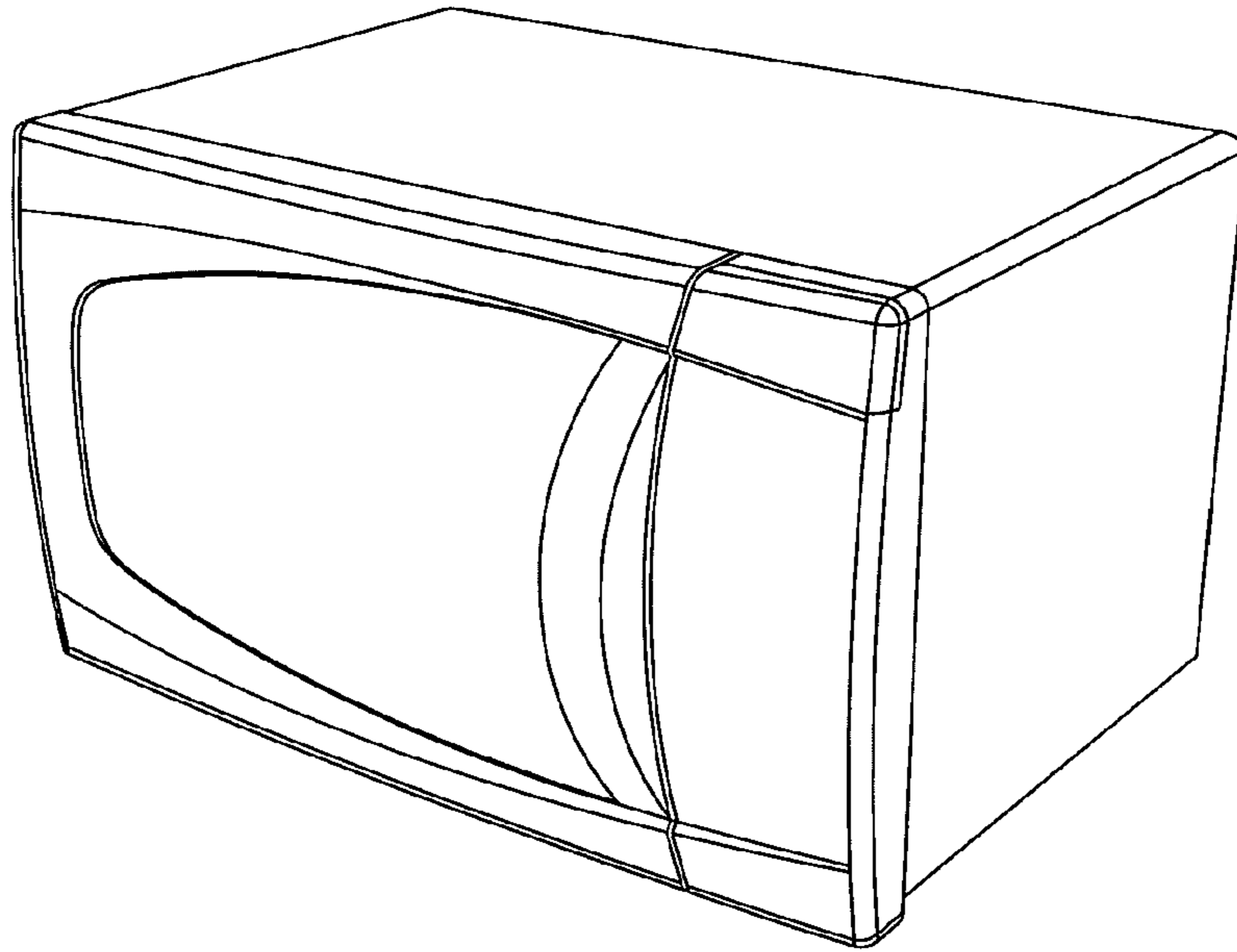


FIG. 1

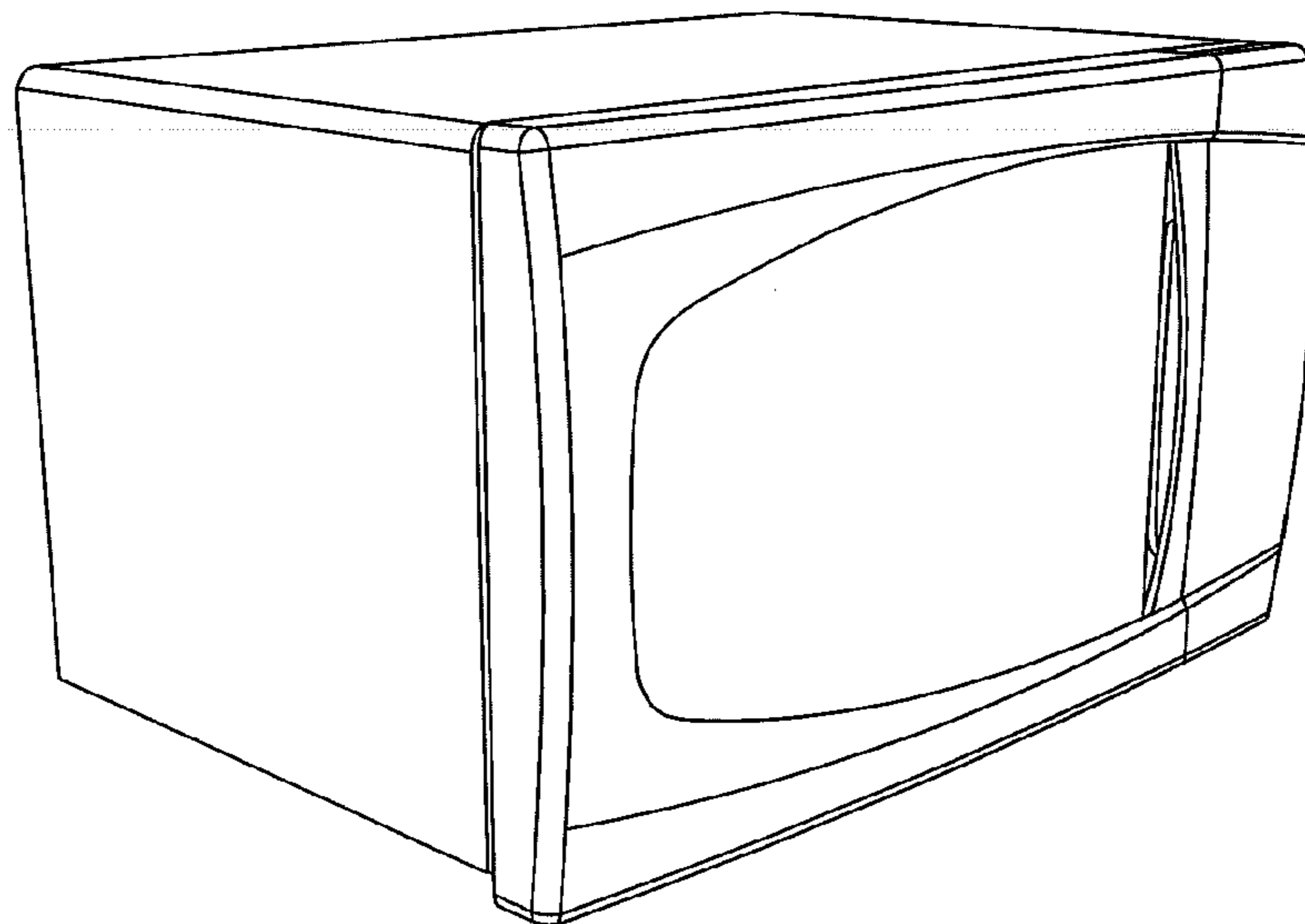


FIG. 2

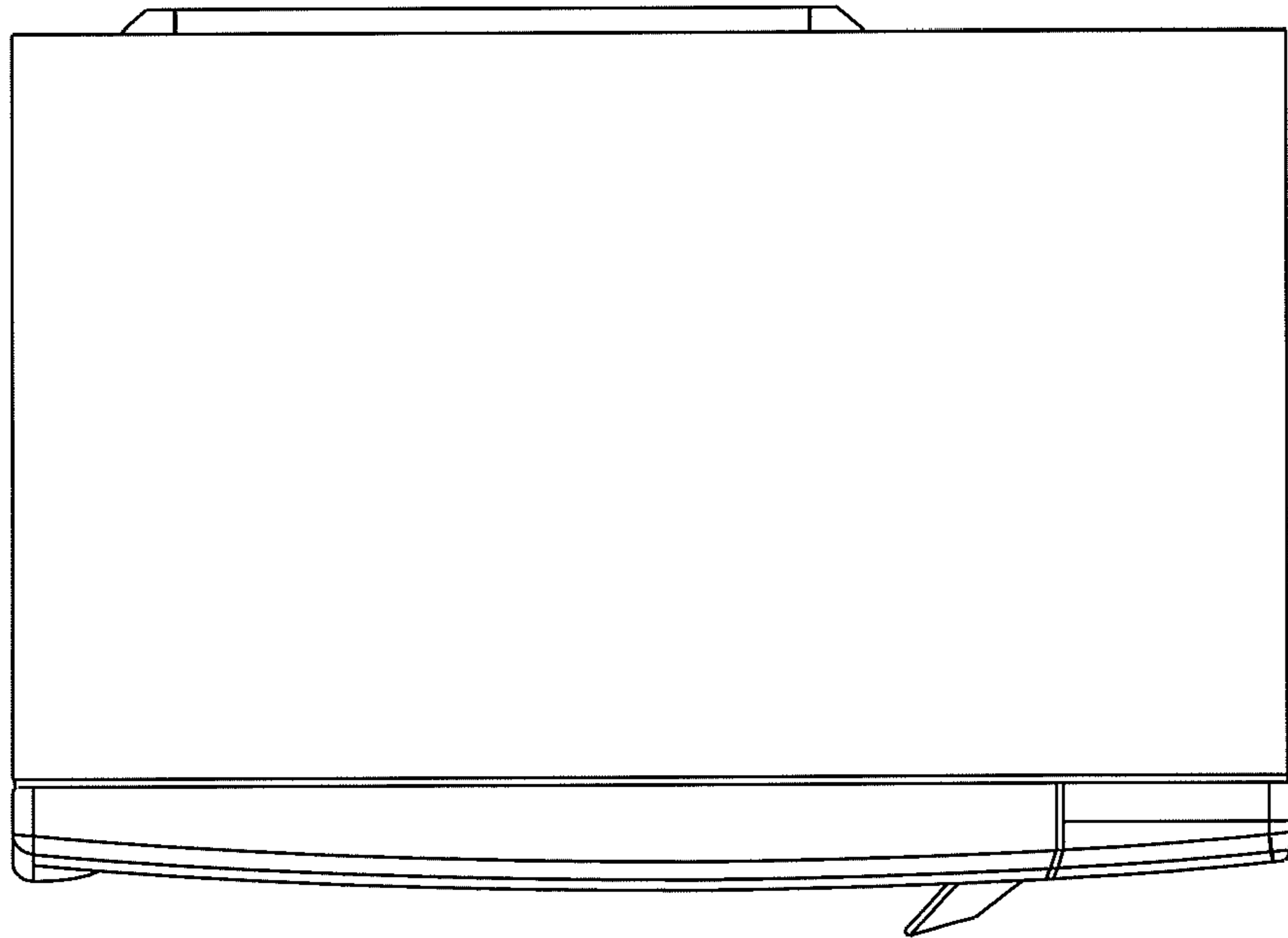


FIG. 3

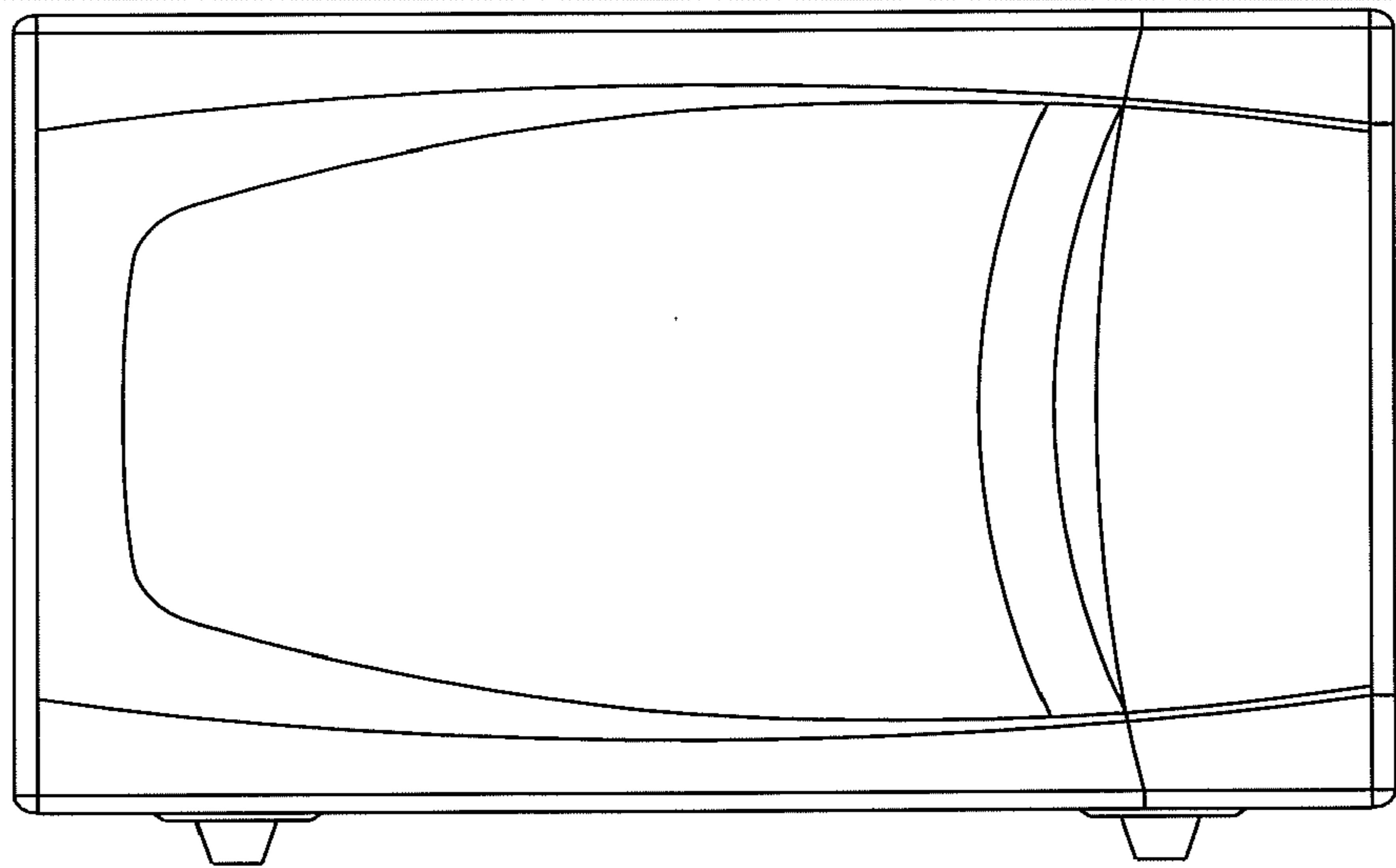


FIG. 4

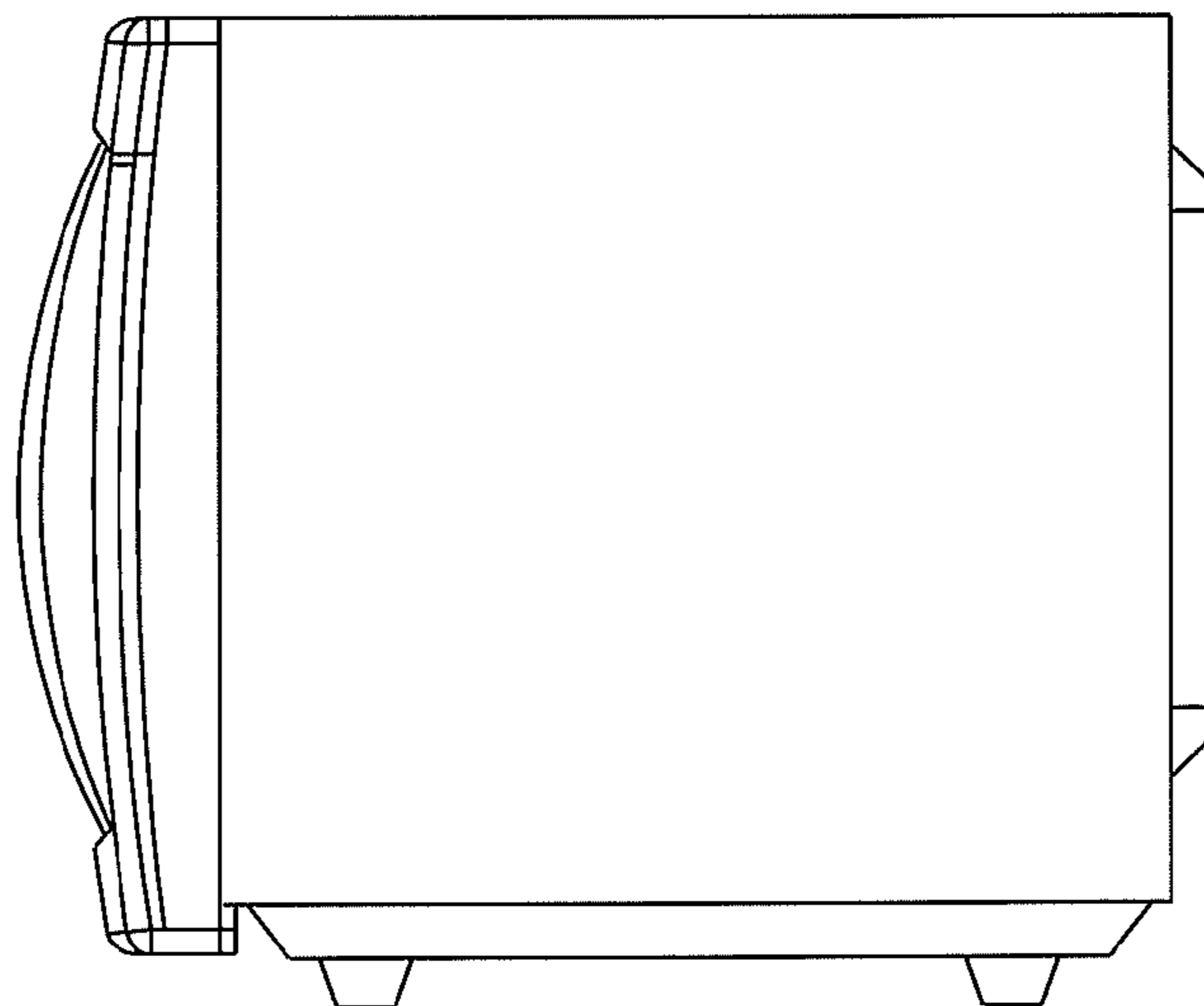


FIG. 5

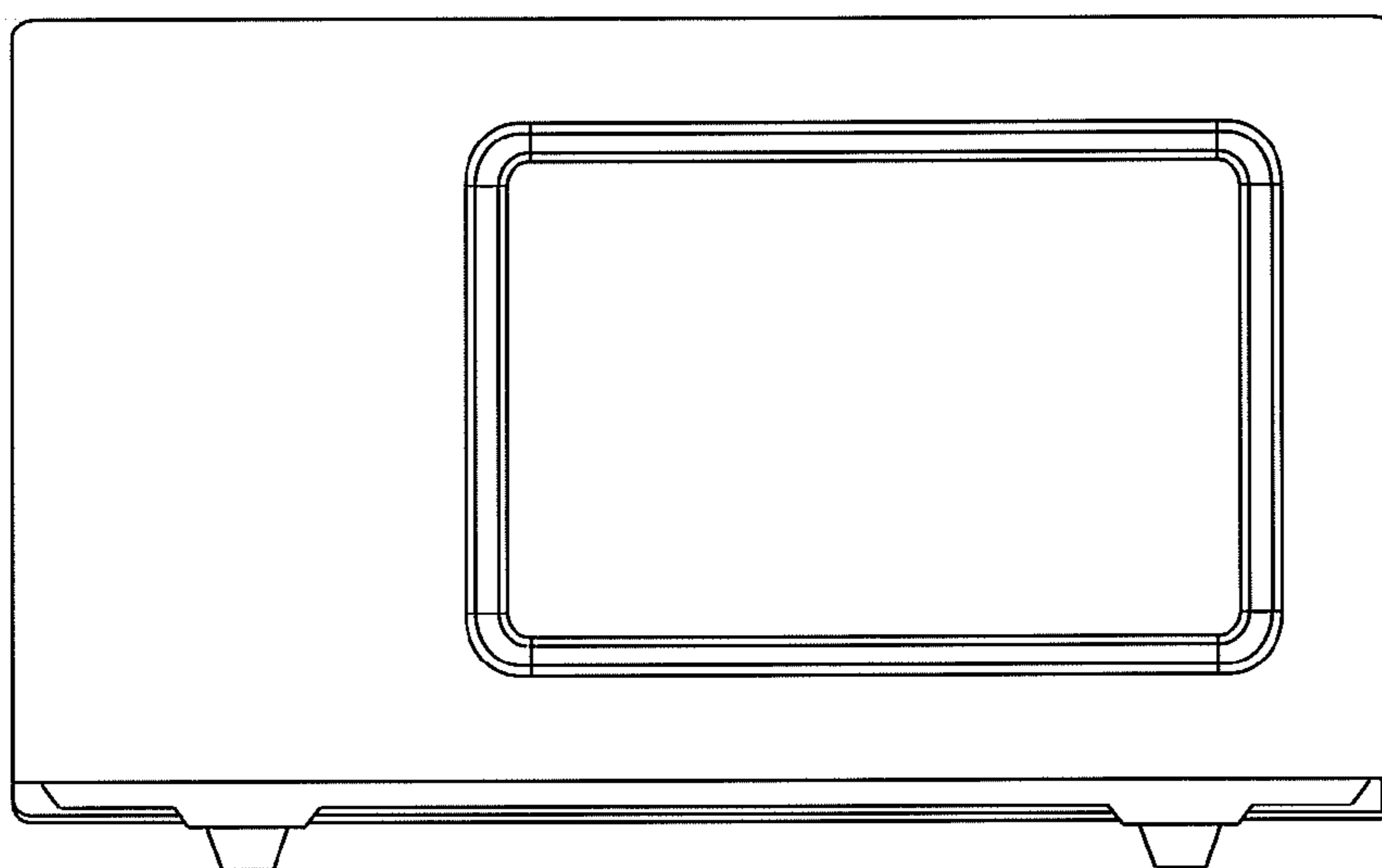


FIG. 6

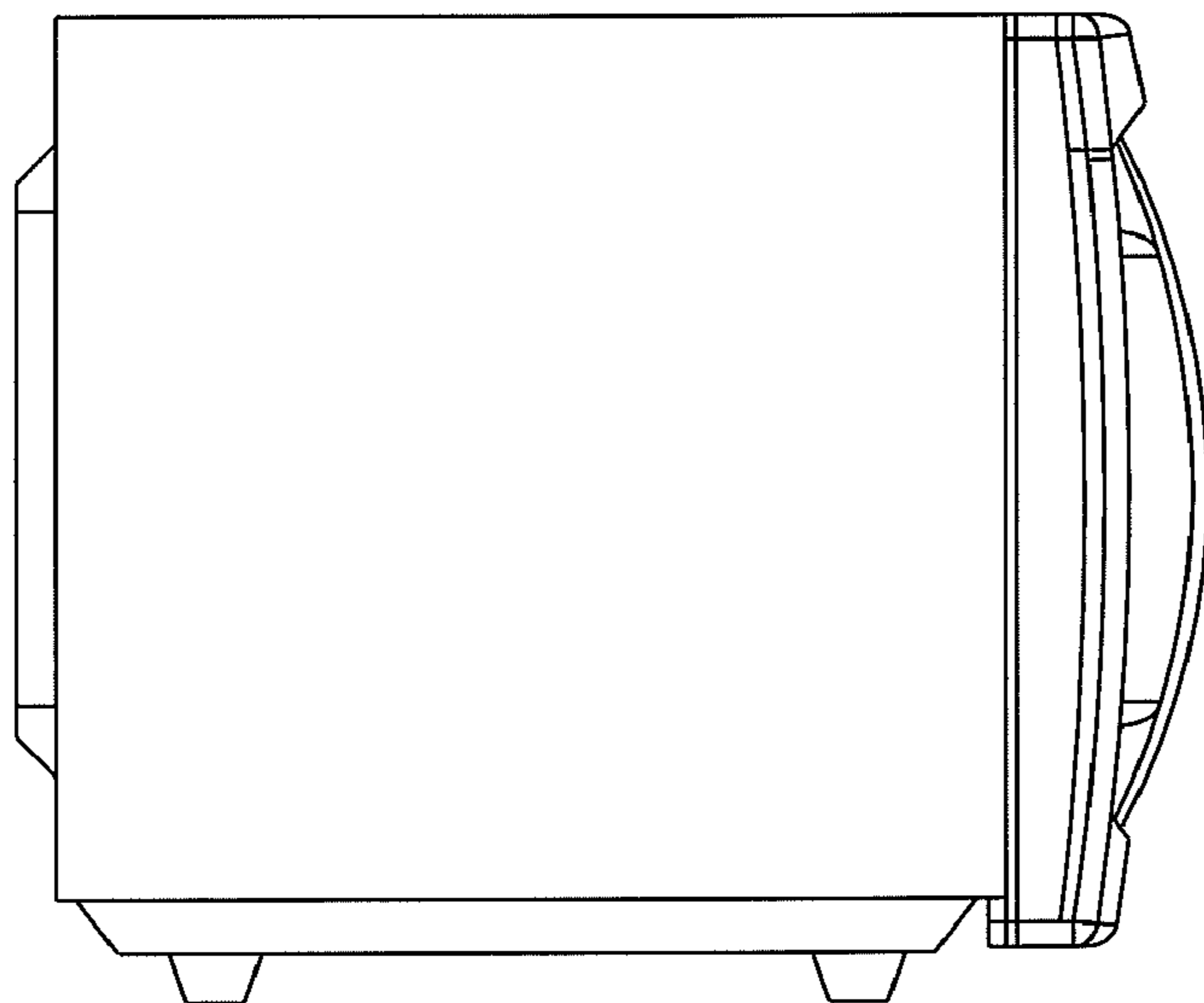


FIG. 7

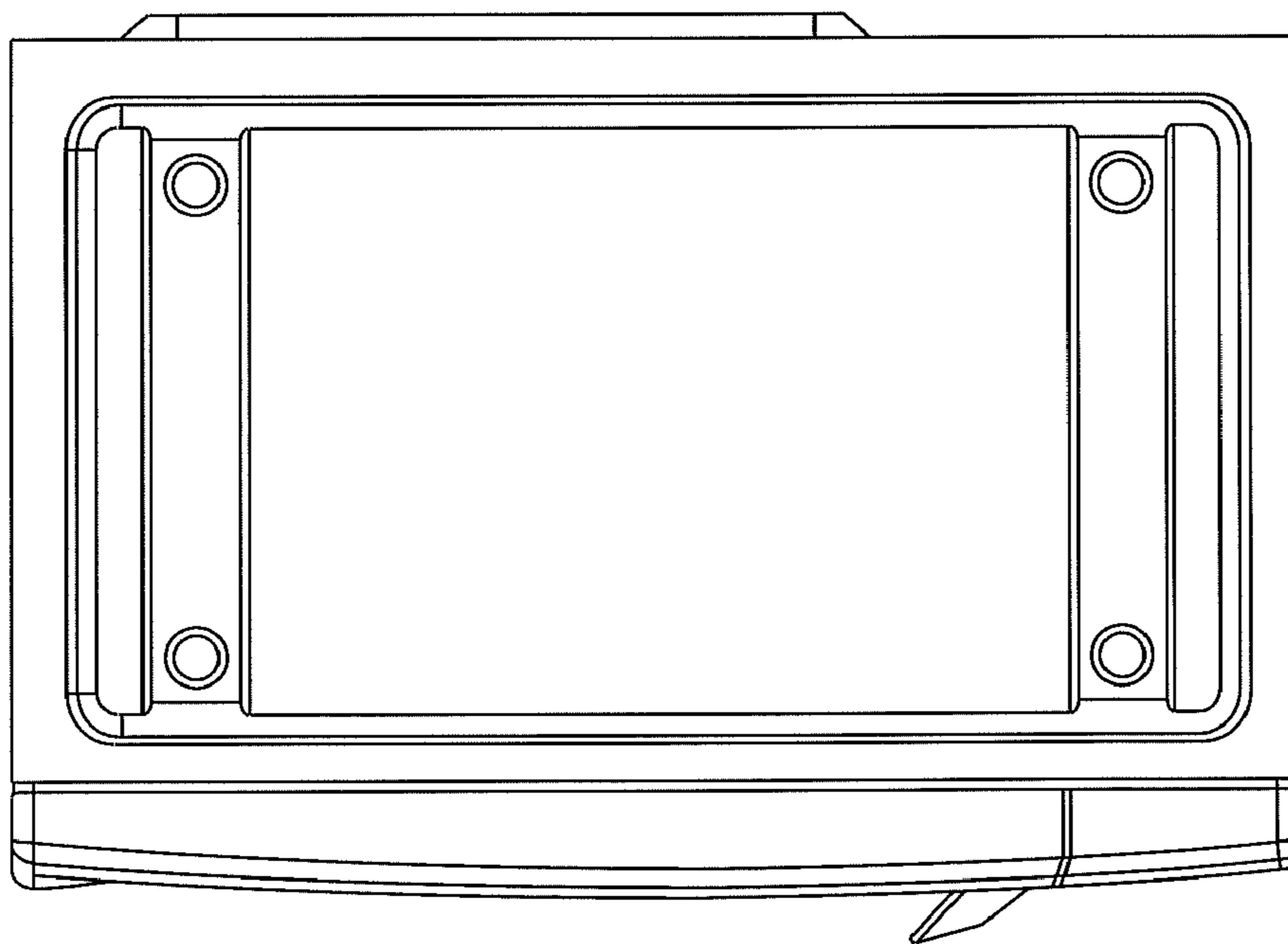


FIG. 8