



US00D614904S

(12) **United States Design Patent**
Lau

(10) **Patent No.:** **US D614,904 S**
(45) **Date of Patent:** **** May 4, 2010**

(54) **DISC CASE**

(75) Inventor: **Kwok Din Lau**, Chai Wan (CN)

(73) Assignee: **Finest Products Limited** (CN)

(**) Term: **14 Years**

(21) Appl. No.: **29/350,126**

(22) Filed: **Nov. 11, 2009**

(51) **LOC (9) Cl.** **06-04**

(52) **U.S. Cl.** **D6/634**

(58) **Field of Classification Search** D6/407,
D6/626-635; D3/201, 218, 273; D9/337,
D9/445, 454; 206/307.1, 308.1, 308.2, 308.3,
206/309-313; 312/9.2, 9.9, 9.48, 9.55, 9.64,
312/9.47

See application file for complete search history.

(56) **References Cited**

U.S. PATENT DOCUMENTS

D437,171	S *	2/2001	Cuadrado-Serena	D6/632
6,227,362	B1 *	5/2001	Cheung	206/308.1
D450,973	S *	11/2001	Bieda	D6/632
D452,105	S *	12/2001	Chan	D6/635
D465,960	S *	11/2002	Yau	D6/632
D477,143	S *	7/2003	Nagata et al.	D3/294
6,729,469	B1 *	5/2004	Yau et al.	206/308.1
6,766,904	B2 *	7/2004	Hu	206/310
D493,661	S *	8/2004	Yau	D6/635

(Continued)

Primary Examiner—Elizabeth A Albert

Assistant Examiner—Kelley A Donnelly

(74) *Attorney, Agent, or Firm*—Seed Intellectual Property
Law Group PLLC

(57) **CLAIM**

The ornamental design for a disc case, as shown and described.

DESCRIPTION

FIG. 1 is an outer perspective view of the disc case in an open state.

FIG. 2 is an inner perspective view thereof in an open state.

FIG. 3 is a right side elevational view thereof in a closed state.

FIG. 4 is a front plan view thereof in a closed state.

FIG. 5 is a left side elevational view thereof in a closed state.

FIG. 6 is a top plan view thereof in a closed state.

FIG. 7 is a bottom plan view thereof in a closed state.

FIG. 8 is a rear view thereof in a closed state.

FIG. 9 is an inner plan view thereof in an open state.

FIG. 10 is an outer plan view thereof in an open state.

FIG. 11 is a top view thereof in an open state.

FIG. 12 is a bottom view thereof in an open state.

FIG. 13 is a left side view thereof in an open state.

FIG. 14 is a right side view thereof in an open state.

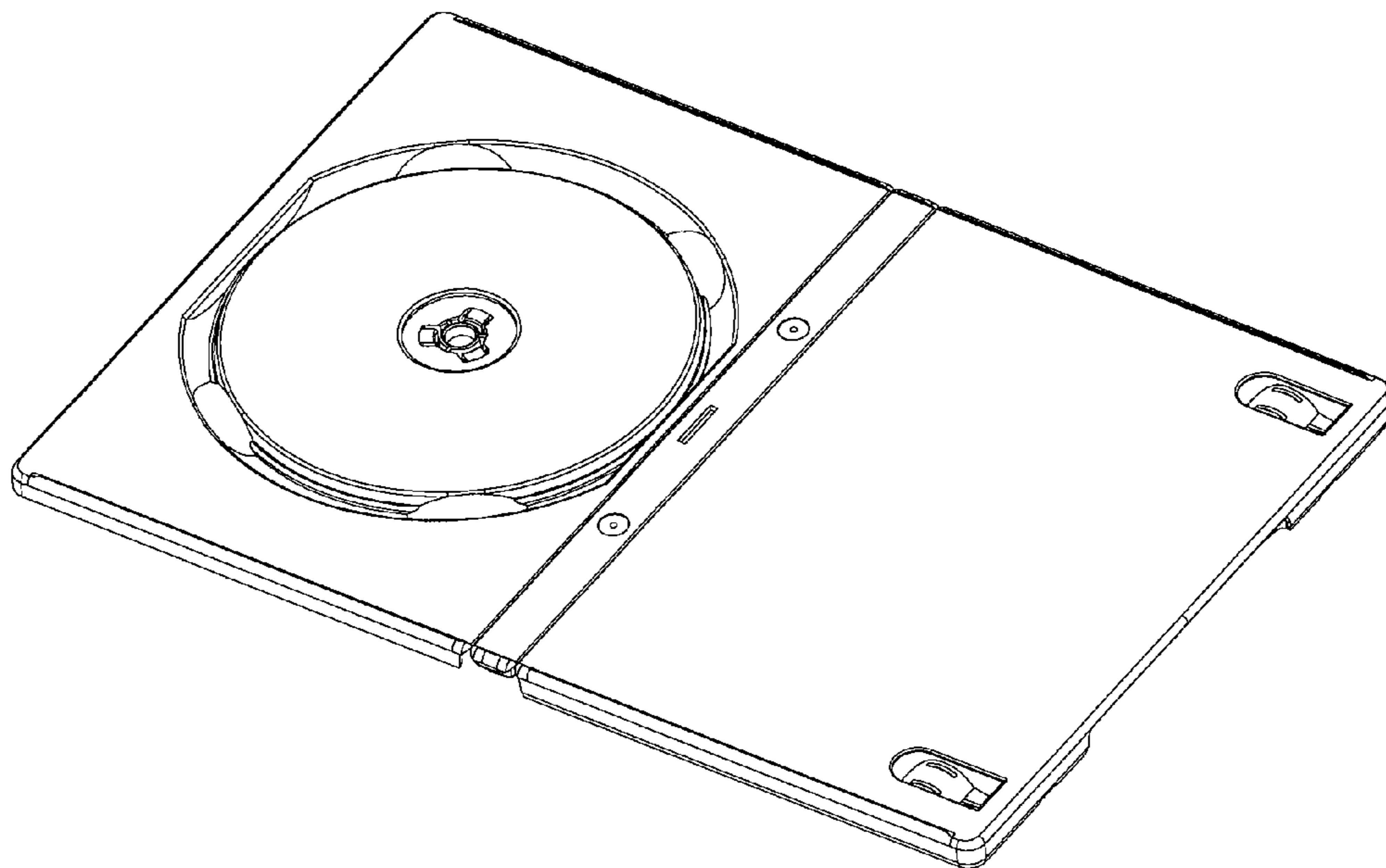
FIG. 15 is a plan view thereof in an open state to show the place of the sectional views of FIGS. 16 and 17.

FIG. 16 is a sectional view taken along the lines of 16—16 of FIG. 15; and,

FIG. 17 is a sectional view taken along the lines of 17—17 of FIG. 15.

The broken lines are for environmental purposes only and form no part of the claimed design.

1 Claim, 8 Drawing Sheets



US D614,904 S

Page 2

U.S. PATENT DOCUMENTS

D543,067 S *	5/2007	Ng	D6/634	D587,922 S *	3/2009	Kwan	D6/407
D543,068 S *	5/2007	Ng	D6/634	2006/0201831 A1 *	9/2006	Hu	206/310
D552,373 S *	10/2007	Kim	D6/407	2007/0102310 A1 *	5/2007	Osborn et al.	206/308.1
D572,962 S *	7/2008	Freitag et al.	D6/634	2007/0138039 A1 *	6/2007	Kirtz et al.	206/308.1
D572,964 S *	7/2008	Gelardi et al.	D6/634	2007/0193898 A1 *	8/2007	Hu	206/308.1
D573,831 S *	7/2008	Gelardi et al.	D6/634	2007/0215498 A1 *	9/2007	Barnette et al.	206/308.1

* cited by examiner

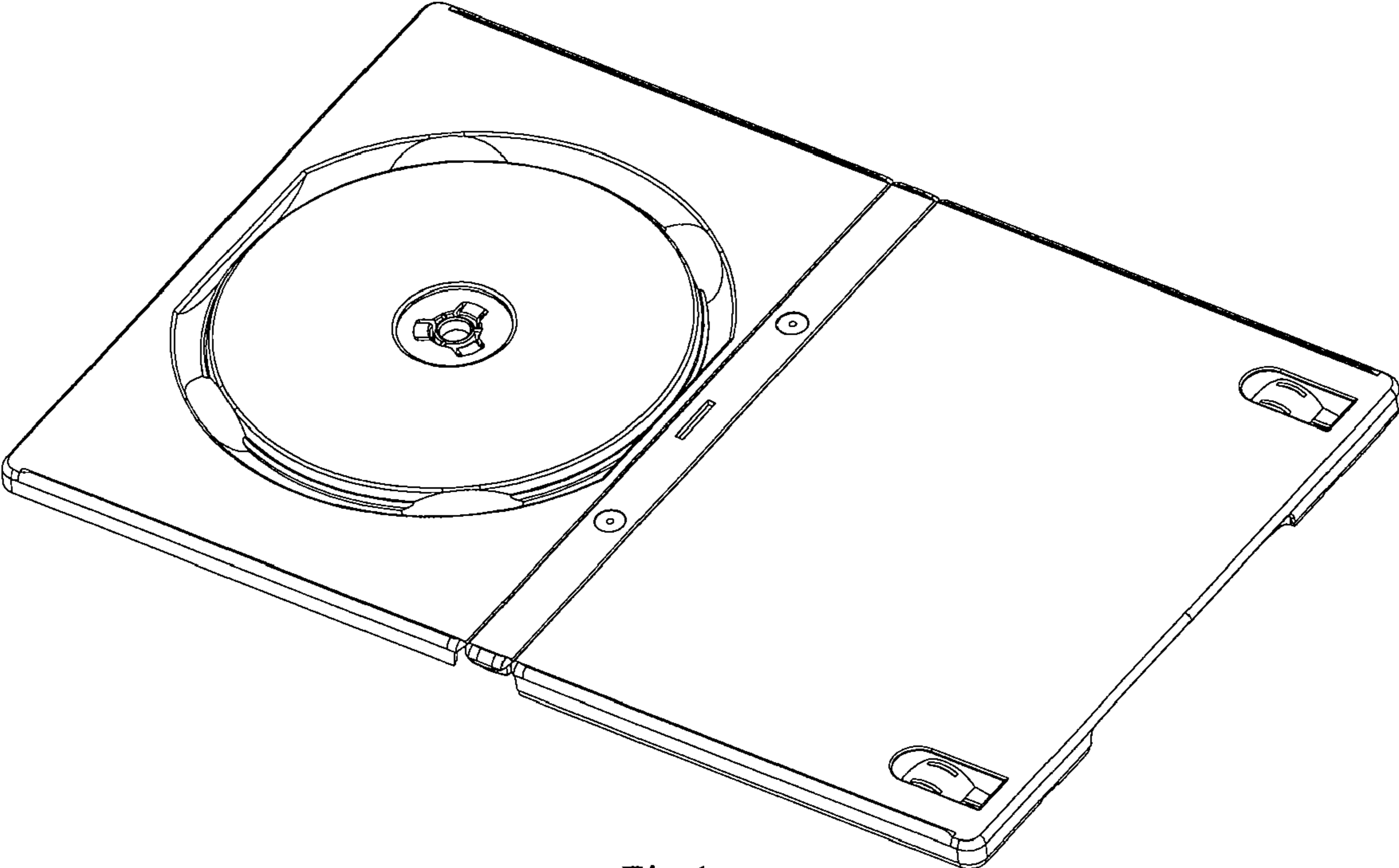


Fig.1

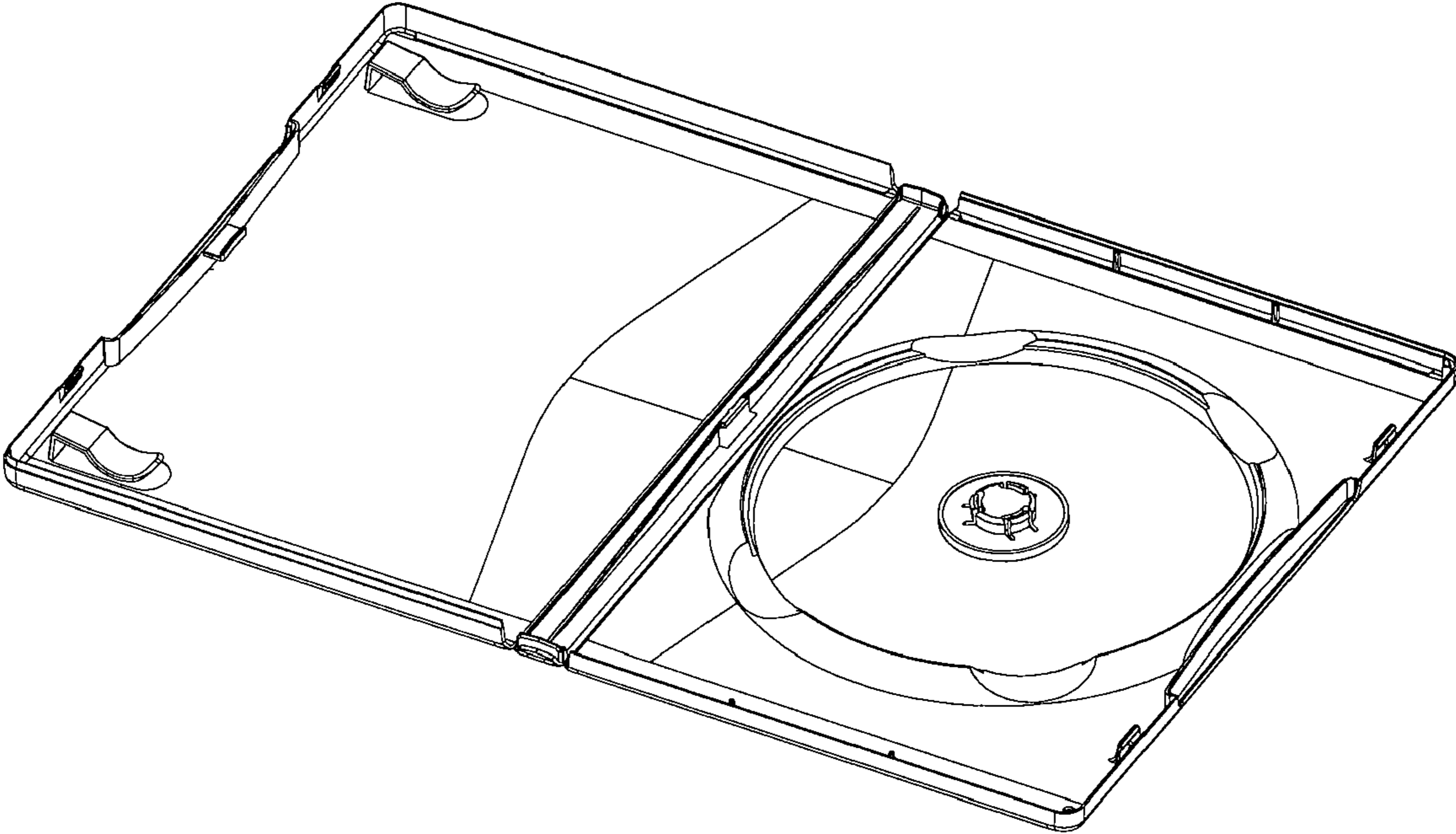


Fig.2

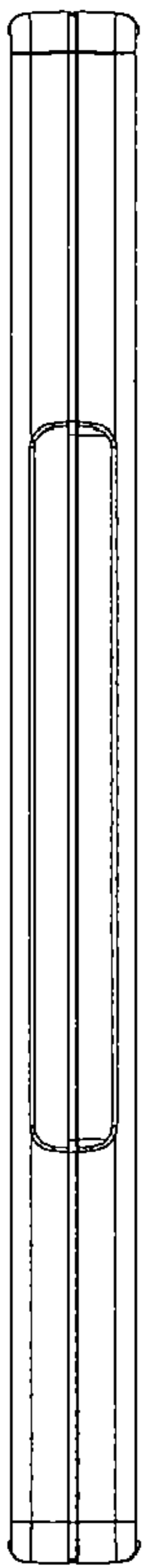


FIG. 3

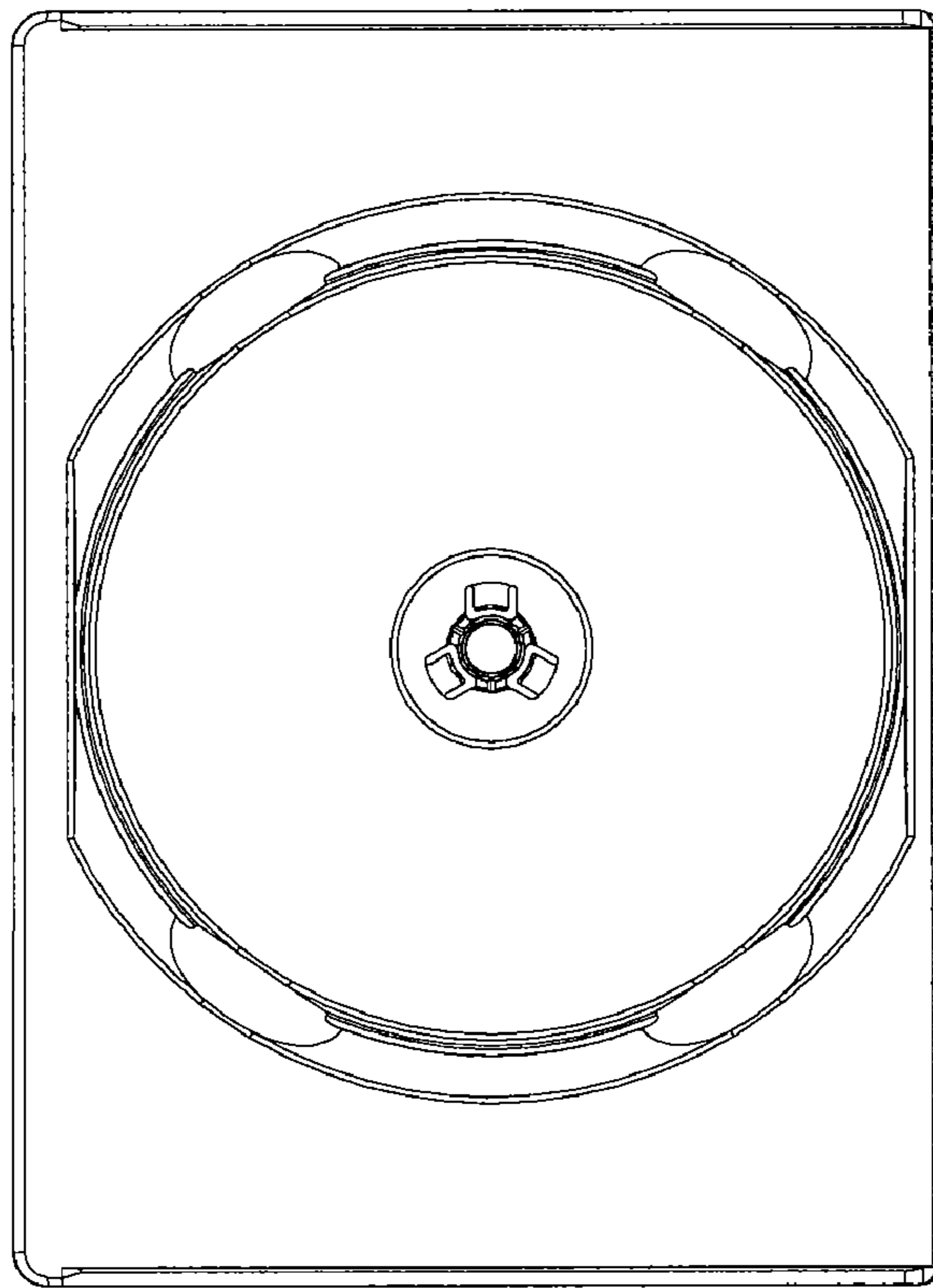


FIG. 4

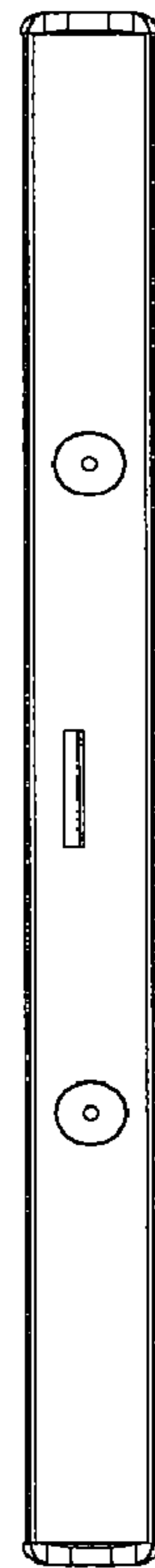


FIG. 5

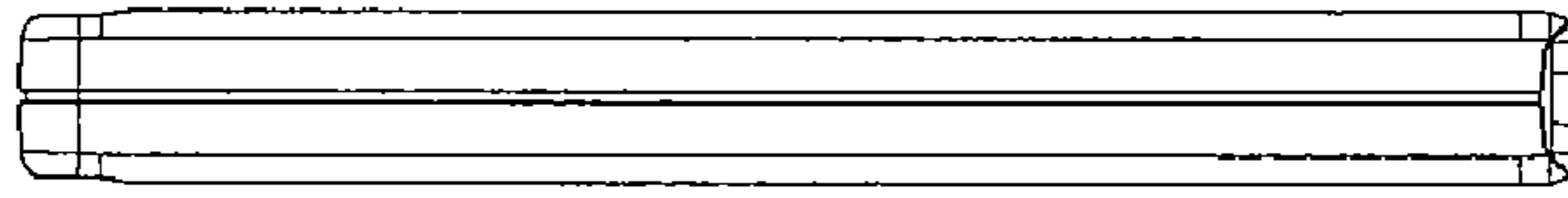


FIG. 6

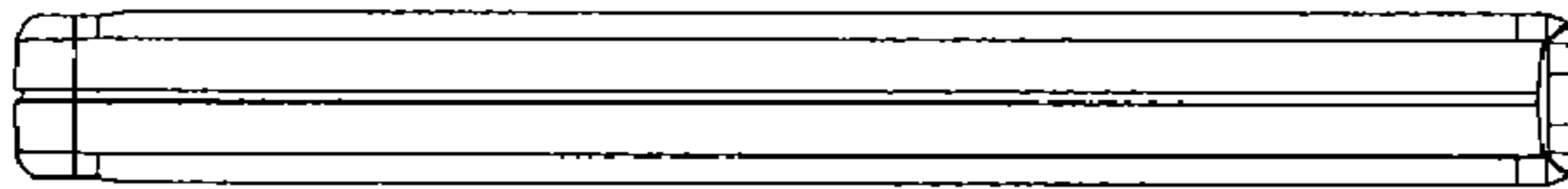


FIG. 7

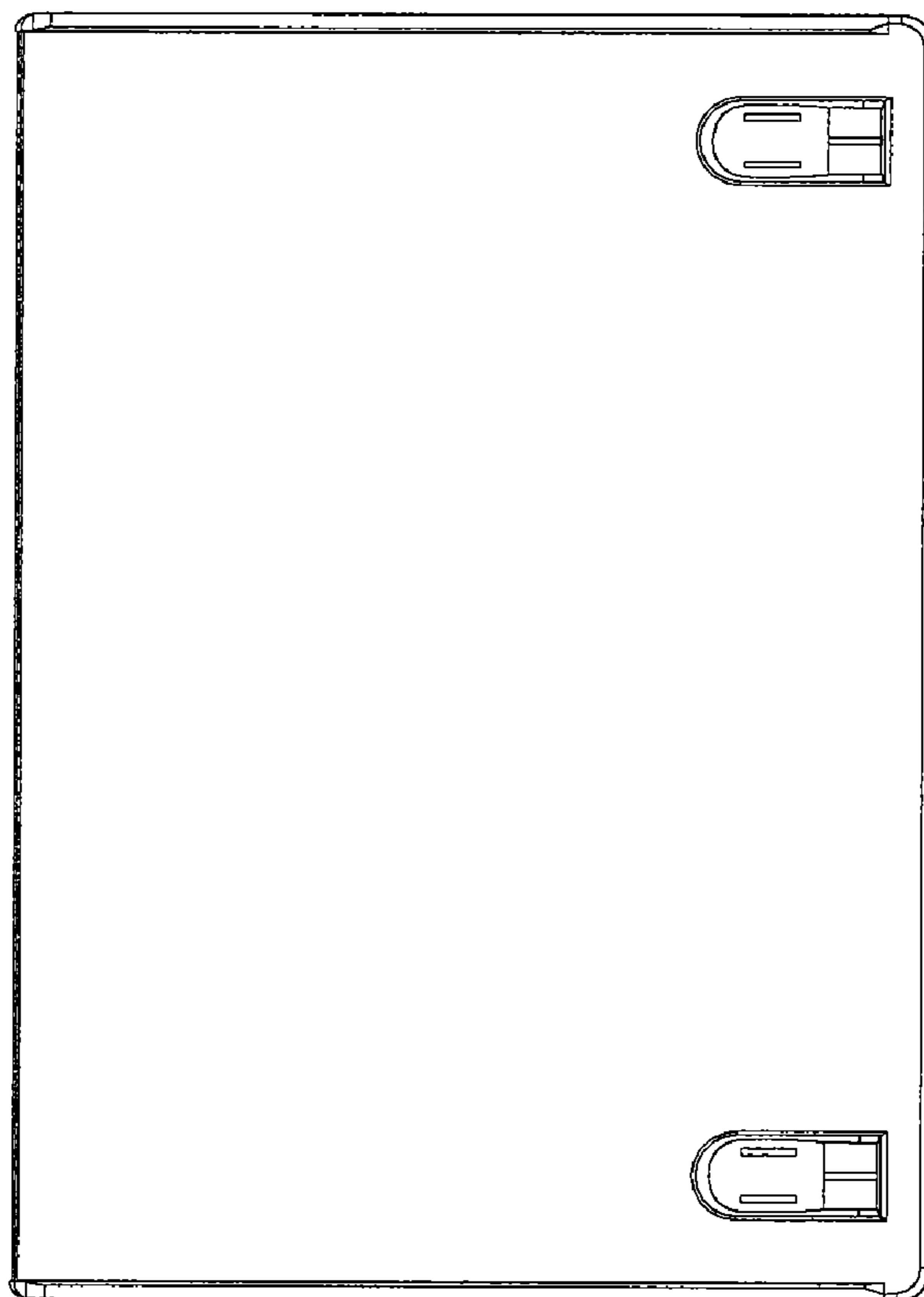


FIG. 8

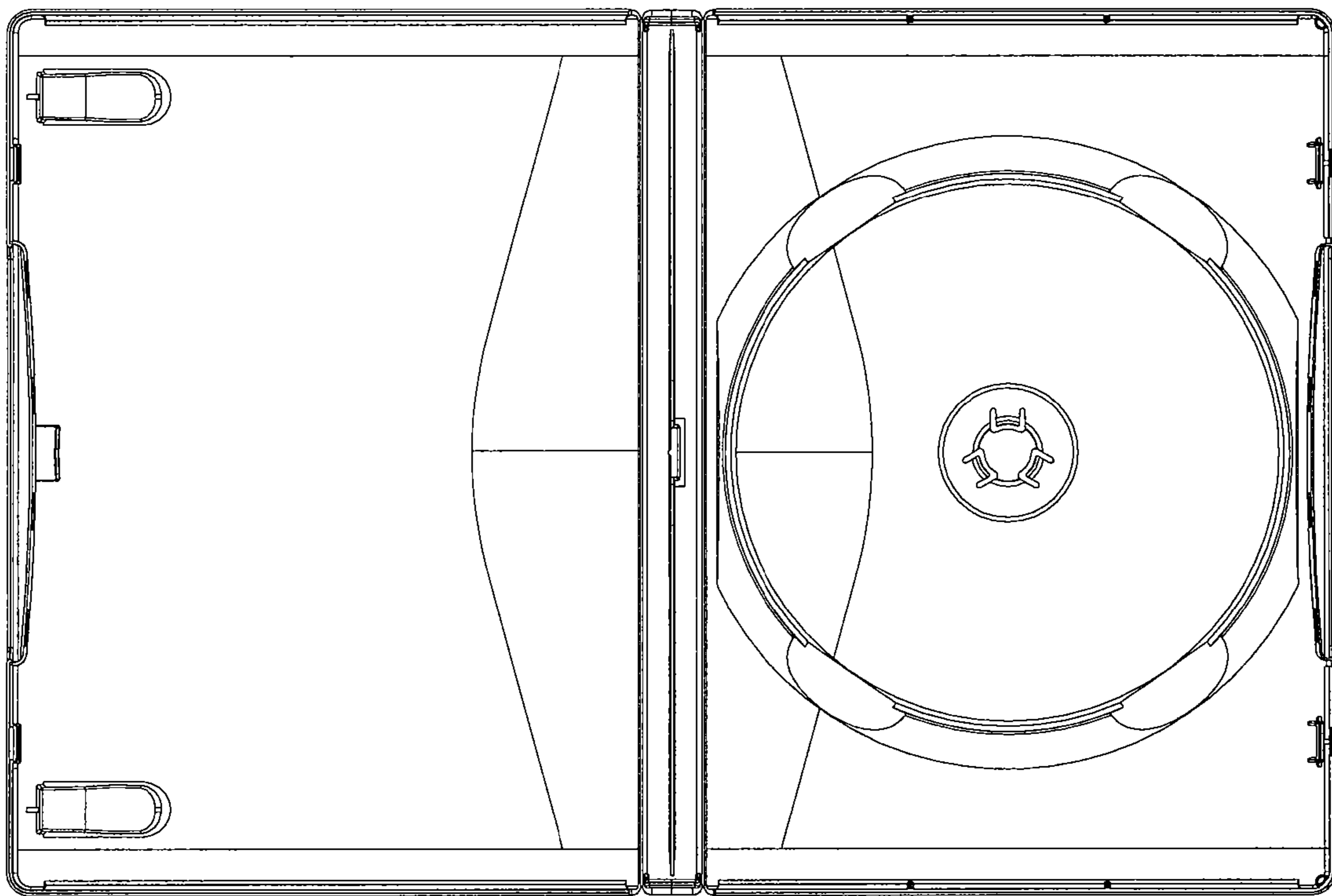


Fig.9

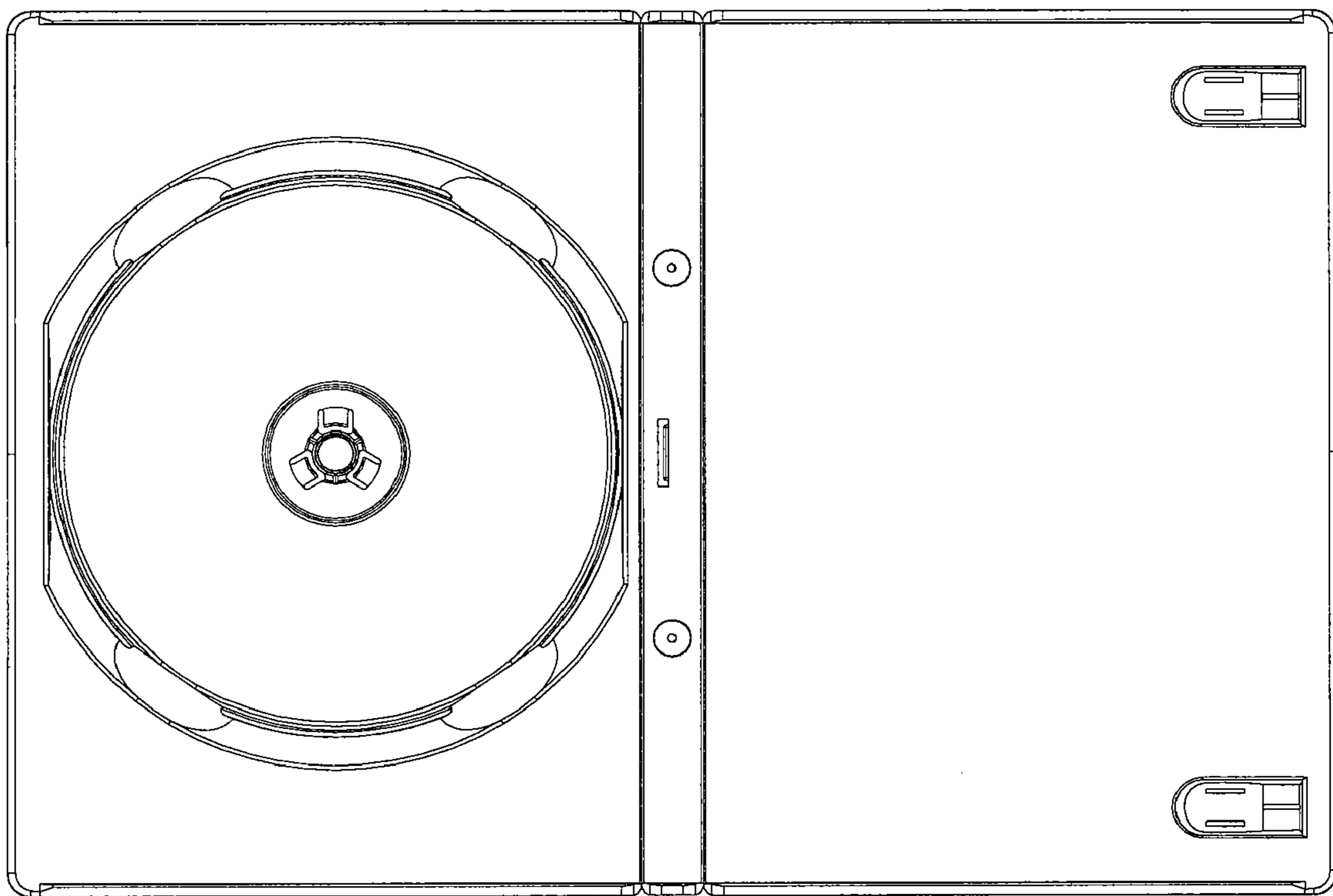


Fig.10



Fig.11

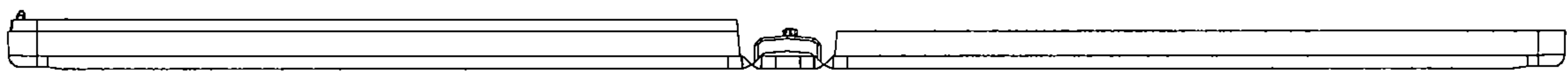


Fig.12

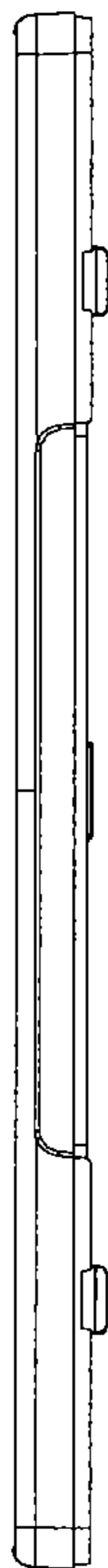


Fig.13

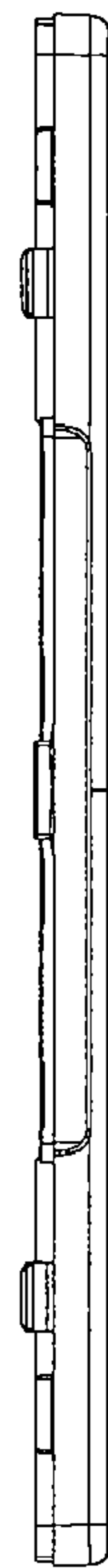


Fig.14

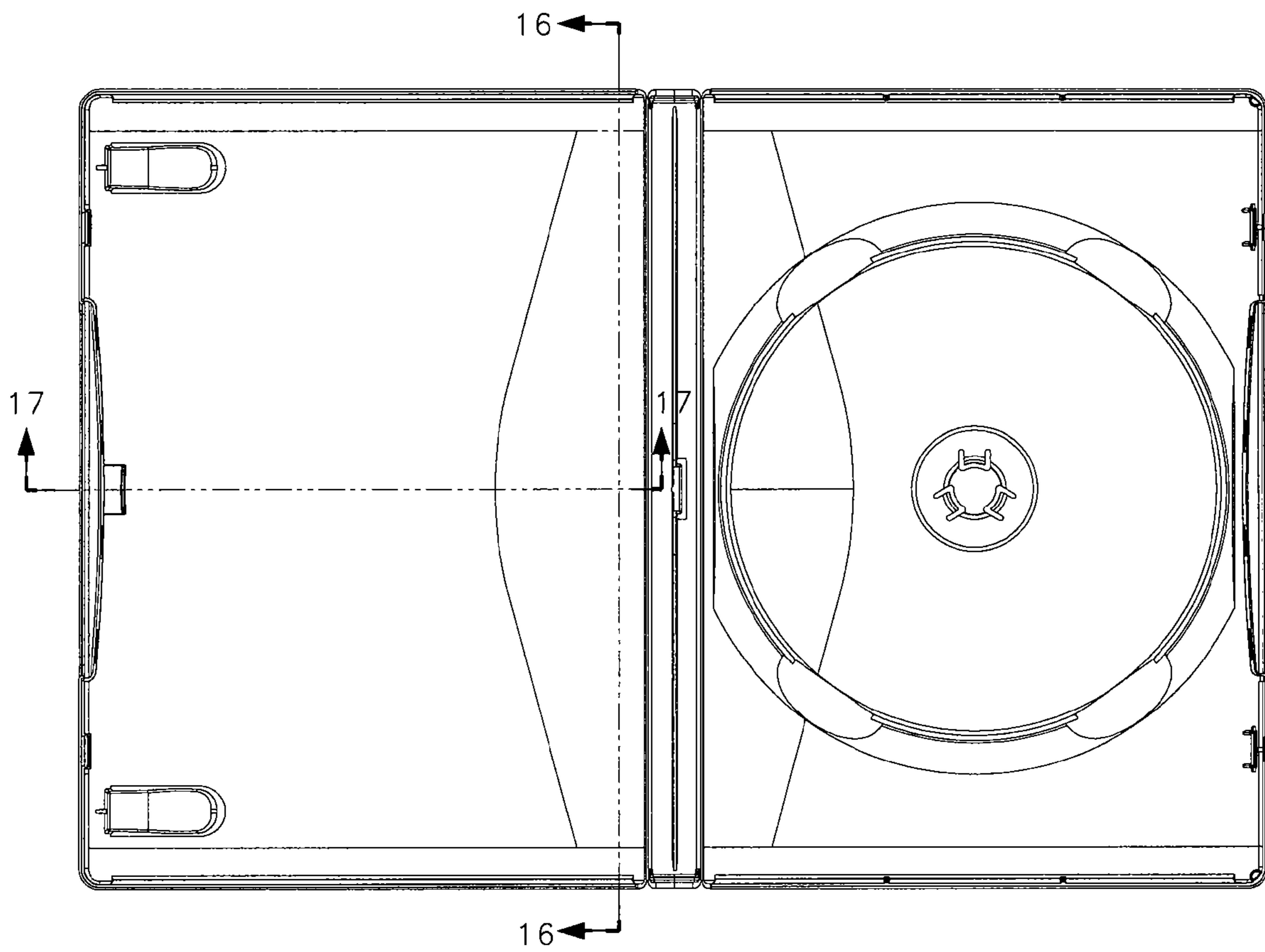


Fig.15

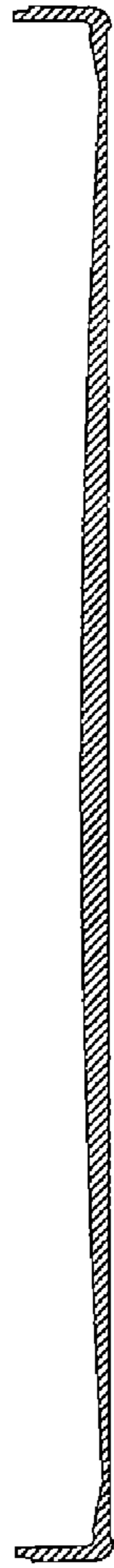


Fig.16



Fig.17