



US00D614901S

(12) **United States Design Patent**  
**Welch**

(10) **Patent No.:** **US D614,901 S**

(45) **Date of Patent:** **\*\* May 4, 2010**

(54) **HEAD SUPPORT APPARATUS**

(76) **Inventor:** **Keith Welch**, 18745 Jennings St. NE.,  
Forest Lake, MN (US) 55025

(\*\*) **Term:** **14 Years**

(21) **Appl. No.:** **29/338,193**

(22) **Filed:** **Jun. 5, 2009**

(51) **LOC (9) Cl.** ..... **06-09**

(52) **U.S. Cl.** ..... **D6/601**

(58) **Field of Classification Search** ..... D6/595-601,  
D6/604, 605; 5/630, 632, 636, 637, 648,  
5/652, 655, 655.3, 655.9, 657; D3/274; D21/803;  
D24/183, 206, 215; D28/20; 297/220, 284.5,  
297/397; 602/17, 18; 606/240

See application file for complete search history.

(56) **References Cited**

**U.S. PATENT DOCUMENTS**

- 744,713 A \* 11/1903 Blomqvist ..... 606/240
- 3,497,872 A 3/1970 Mitchell
- 3,779,549 A 12/1973 MacNeil
- D247,312 S \* 2/1978 Zeiss ..... D24/215
- D251,935 S \* 5/1979 Ikezaki ..... D3/274

(Continued)

**OTHER PUBLICATIONS**

“Barnyard Sleepy Head Toy—Cow” datasheet [online].  
PawPalaceOnline, Red Bank, NJ © 2004-2008 [retrieved on Jun. 8,  
2009]. Retrieved from the Internet<URL:http://www.  
pawpalaceonline.com/barnyard-sleepy-head-toy-cow-p-5403.  
html>; 2 pgs.

(Continued)

*Primary Examiner*—Janice E Seeger

*Assistant Examiner*—Mary Ann Calabrese

(74) *Attorney, Agent, or Firm*—Mueting, Raasch & Gebhardt,  
P.A.

(57) **CLAIM**

The ornamental design for a head support apparatus, as  
shown and described.

**DESCRIPTION**

FIG. 1 is an upper perspective view of a head support appa-  
ratus in accordance with one exemplary embodiment;

FIG. 2 is a front side elevation view of the head support  
apparatus of FIG. 1;

FIG. 3 is a rear side elevation view of the head support  
apparatus of FIG. 1;

FIG. 4 is a top elevation view of the head support apparatus of  
FIG. 1;

FIG. 5 is a bottom elevation view of the head support appa-  
ratus of FIG. 1;

FIG. 6 is a left side elevation view of the head support appa-  
ratus of FIG. 1;

FIG. 7 is a right side elevation view of the head support  
apparatus of FIG. 1;

FIG. 8 is an upper perspective view of a head support appa-  
ratus in accordance with another exemplary embodiment;

FIG. 9 is a front side elevation view of the head support  
apparatus of FIG. 8;

FIG. 10 is a rear side elevation view of the head support  
apparatus of FIG. 8;

FIG. 11 is a top elevation view of the head support apparatus  
of FIG. 8;

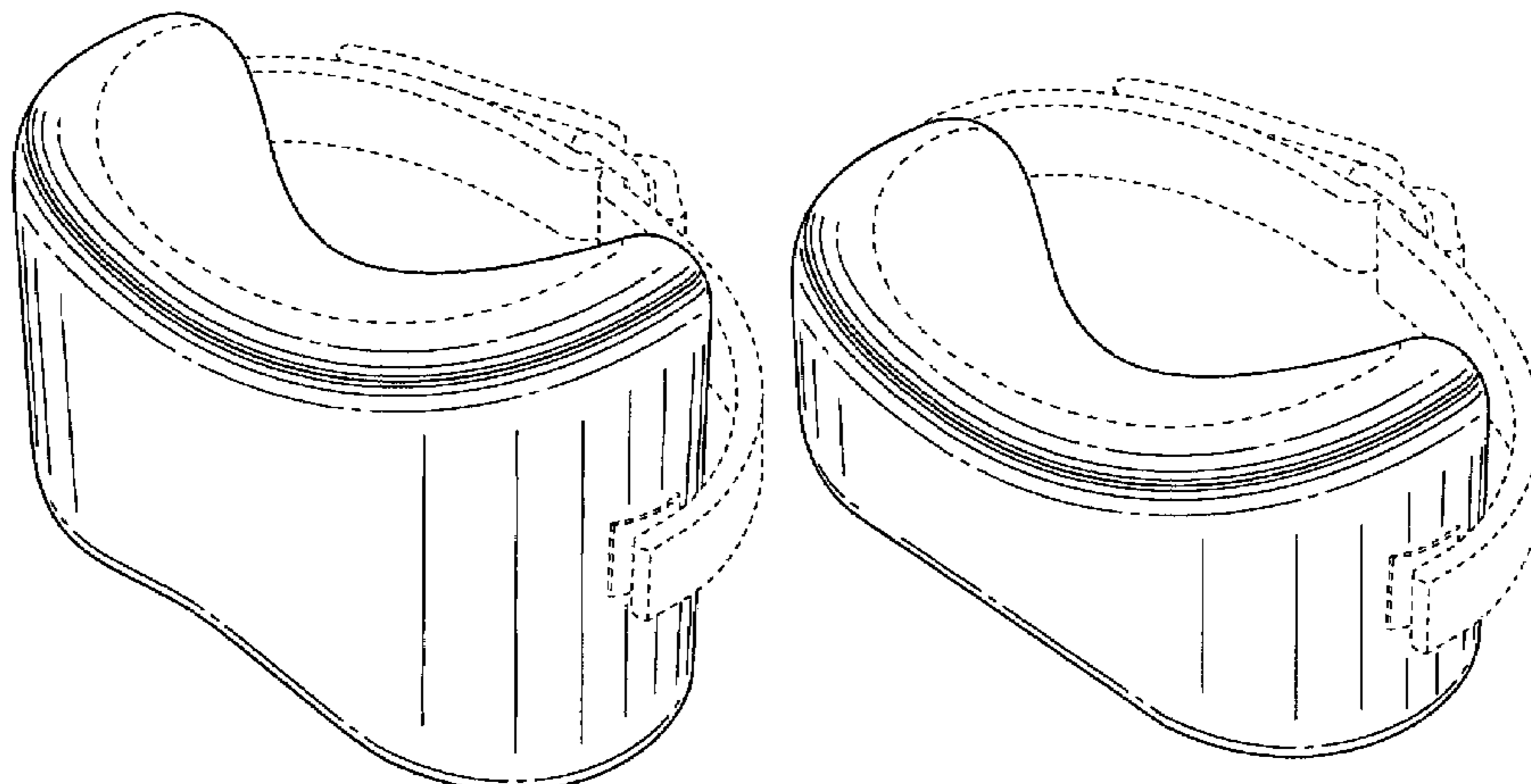
FIG. 12 is a bottom elevation view of the head support appa-  
ratus of FIG. 8;

FIG. 13 is a left side elevation view of the head support  
apparatus of FIGS. 8; and,

FIG. 14 is a right side elevation view of the head support  
apparatus of FIG. 8.

The broken lines are directed to environment and are for  
illustrative purposes only; features illustrated in broken lines  
form no part of the claimed design.

**1 Claim, 8 Drawing Sheets**



U.S. PATENT DOCUMENTS

4,870,705	A	10/1989	Higby et al.	
5,135,446	A	8/1992	Cooley	
5,154,649	A *	10/1992	Pender .....	5/655
D333,884	S *	3/1993	Colett .....	D28/20
D338,587	S *	8/1993	Harnish .....	D6/601
D358,957	S *	6/1995	Propp .....	D6/501
D384,851	S *	10/1997	Heginbottom .....	D6/601
6,058,517	A	5/2000	Hartunian	
6,231,535	B1 *	5/2001	Mainiero et al. ....	602/18
6,435,617	B1 *	8/2002	McNair .....	297/397
6,578,218	B2 *	6/2003	Wassilefsky .....	5/648
6,886,186	B2	5/2005	Jansen	
7,093,903	B2 *	8/2006	O'Connor et al. ....	297/397
D542,071	S *	5/2007	Chan .....	D6/601
2005/0005359	A1 *	1/2005	Matthews Brown .....	5/655
2005/0055775	A1 *	3/2005	Gourd .....	5/636

OTHER PUBLICATIONS

“ezysleep—The ultimate travel pillow” datasheet [online]. Dearlove & Co. International Ltd., Worcestershire, UK, © 2004-2007 [retrieved Oct. 7, 2008]. Retrieved from the Internet:<URL:http://www.ezysleep.com/profile.html>; 2 pgs.

“Macpac Sleepyhead Padded Neck Support for Macpac Child Carriers” datasheet [online]. Z&M Enterprises, LLC, Columbia, MD, © 2000-2009 [retrieved on Jun. 8, 2009]. Retrieved from the Internet:<URL:http://comfortfirst.com/p-43020-macpac-sleepyhead-padded-neck-support-for-macpac-child-carriers-free-shipping.aspx>; 2 pgs.

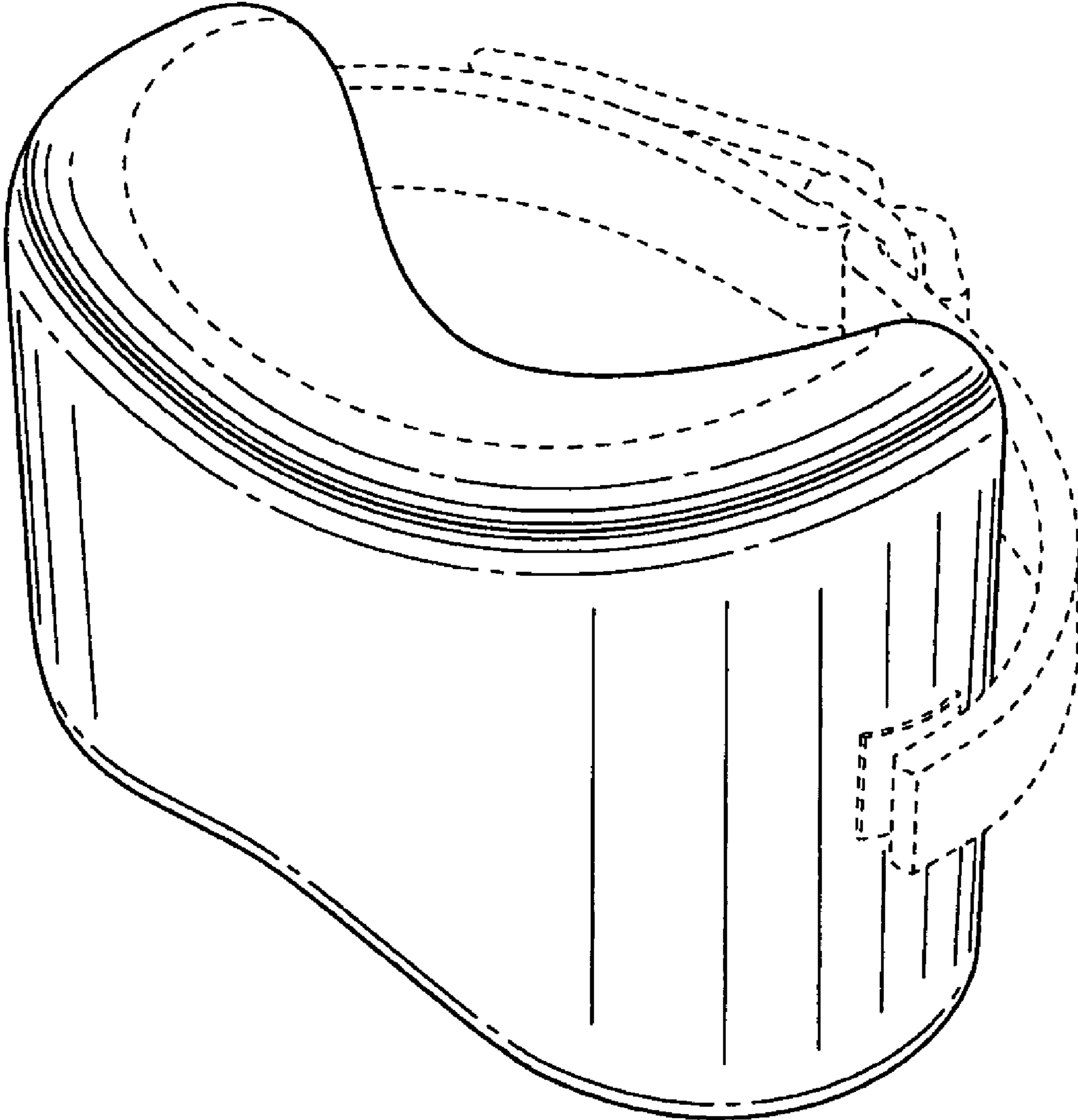
“Pillow” datasheet [online]. TravelSmith Outfitters, Novato, CA © 2006 [retrieved Jul. 13, 2009]. Retrieved from the Internet:<URL:https://www.travelsmith.com/mercadoSearch.do?action=search&newSearch=true&freeText=pillow>; 2 pgs.

“Snore Stopper Chin Pillow” datasheet [online]. Snore Stopper, Kamuela, HI © 2003/04, [retrieved on Dec. 15, 2008]. Retrieved from the Internet:<URL:http://www.snorestopper.com.au/>; 1 page.

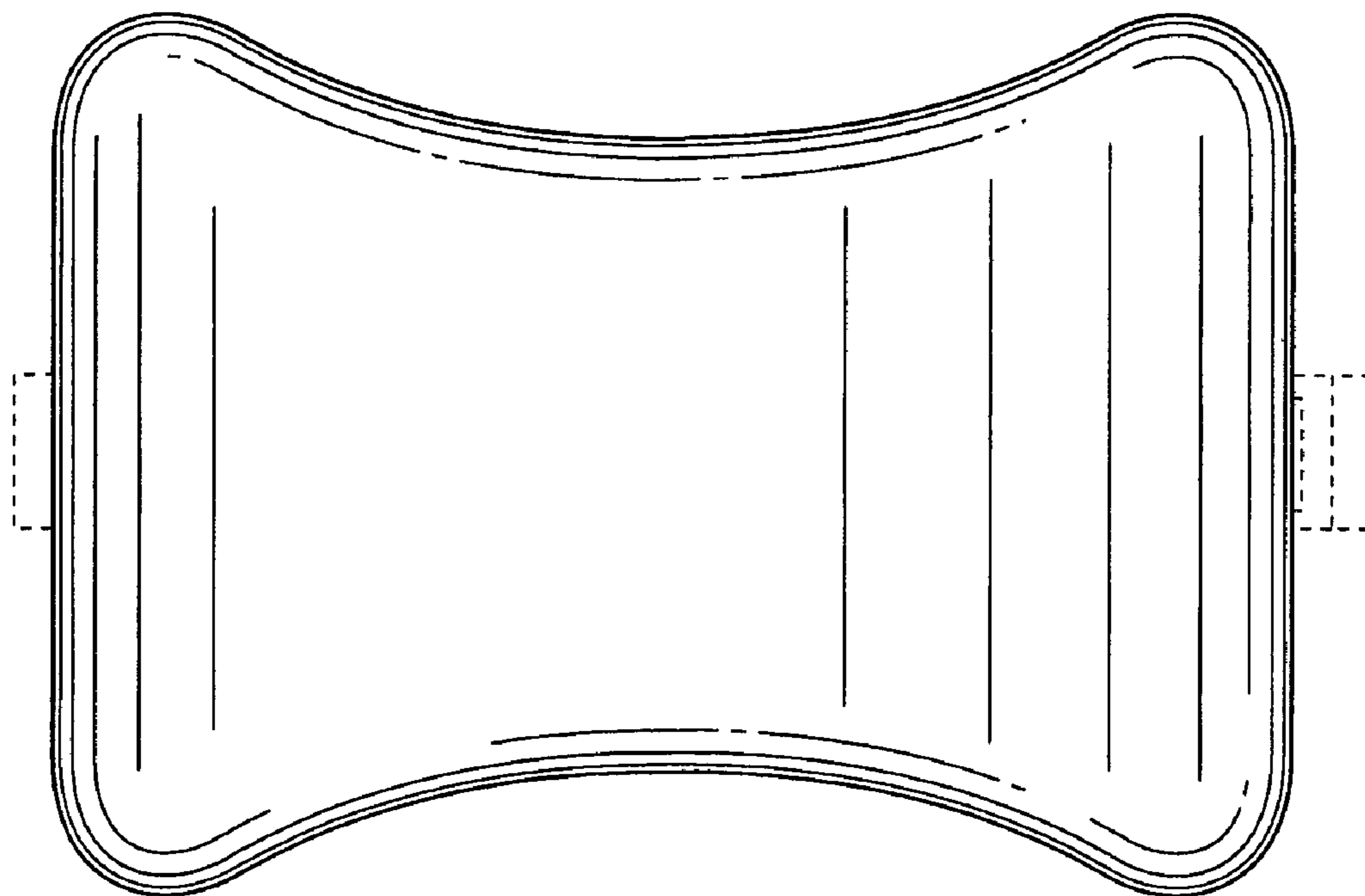
“Travel Buddies™ Children’s Neck Pillows” datasheet [online]. Noodle Head, Inc., Spokane Valley, WA [retrieved on Jun. 6, 2009]. Retrieved from the Internet:<URL:http://http://www.noodlehead-fun.com/index.cfm?%3D2VN%20VOV4DX%5E%20THFB4E%2A0%3DVMHIS%3AZ%5B%5F%3BNQH42Z%5C%20%0Aurle>; 1 page.

“Travel Pillow” datasheet [online]. Brookstone, Inc., Merrimack, NH, © 2008 [retrieved on Oct. 7, 2008]. Retrieved from the Internet:<URL:http://www.brookstone.com/sl/jome-gifts/travel-pillow>; 2 pgs.

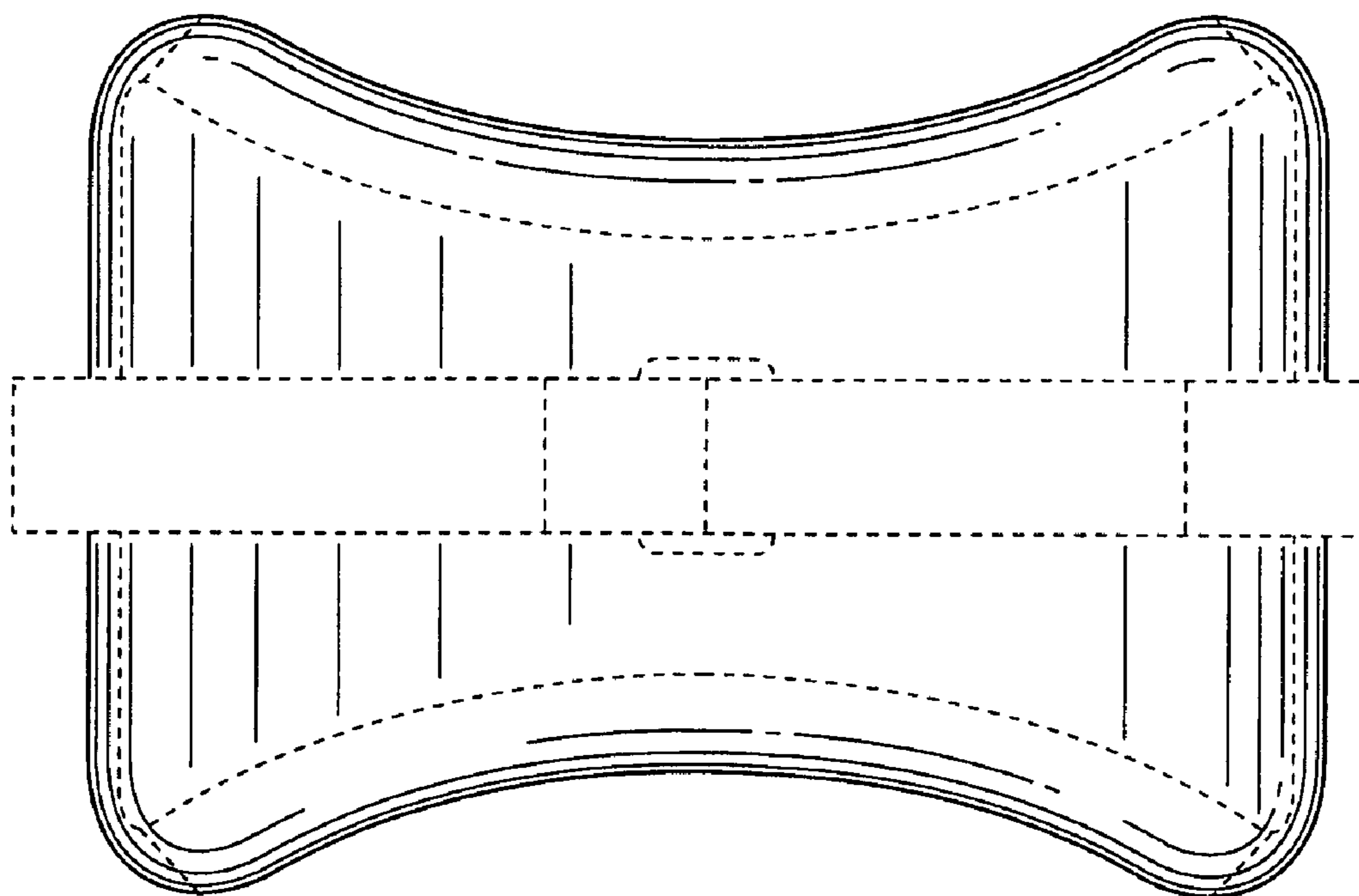
\* cited by examiner



**Fig. 1**

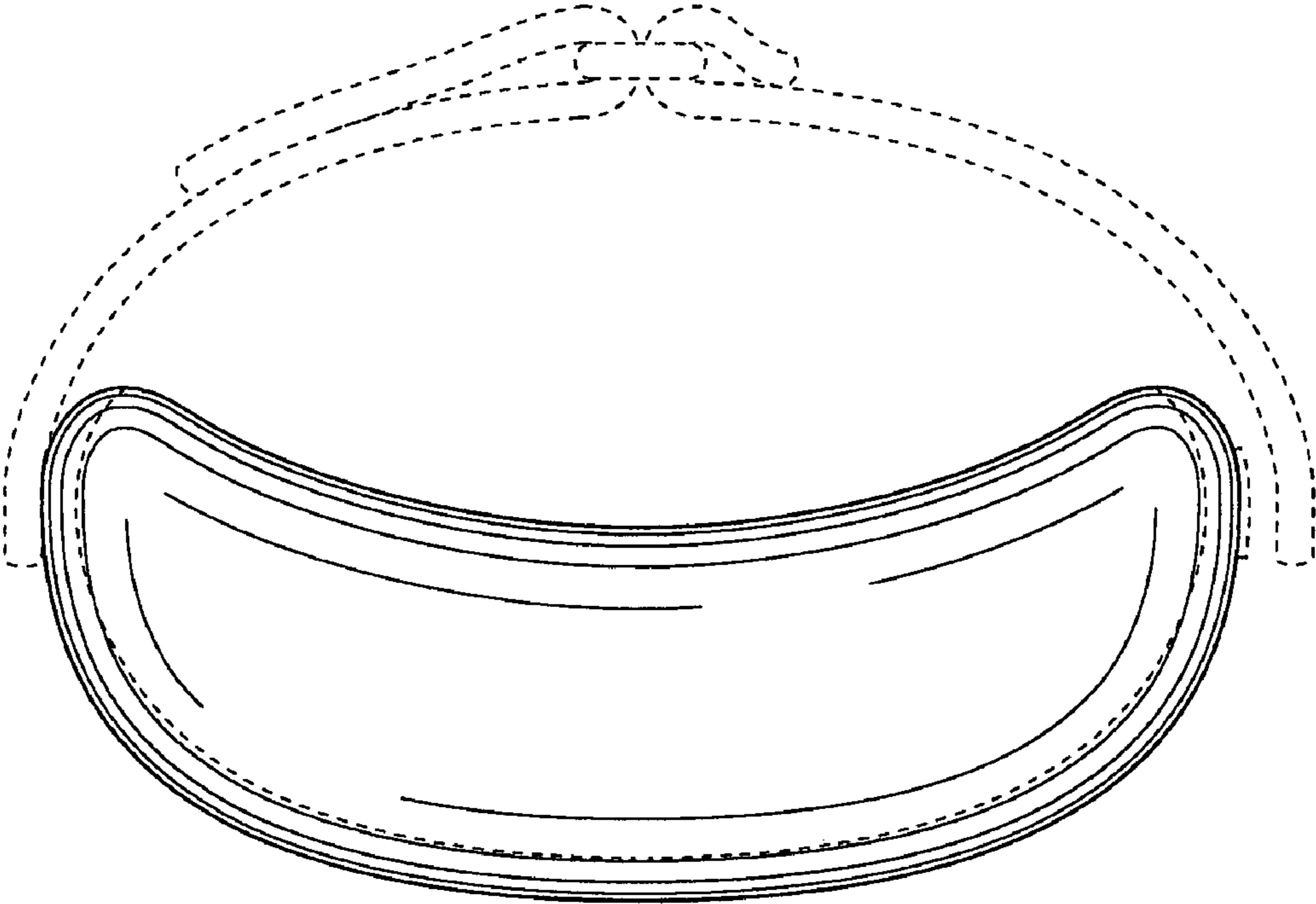


**Fig. 2**

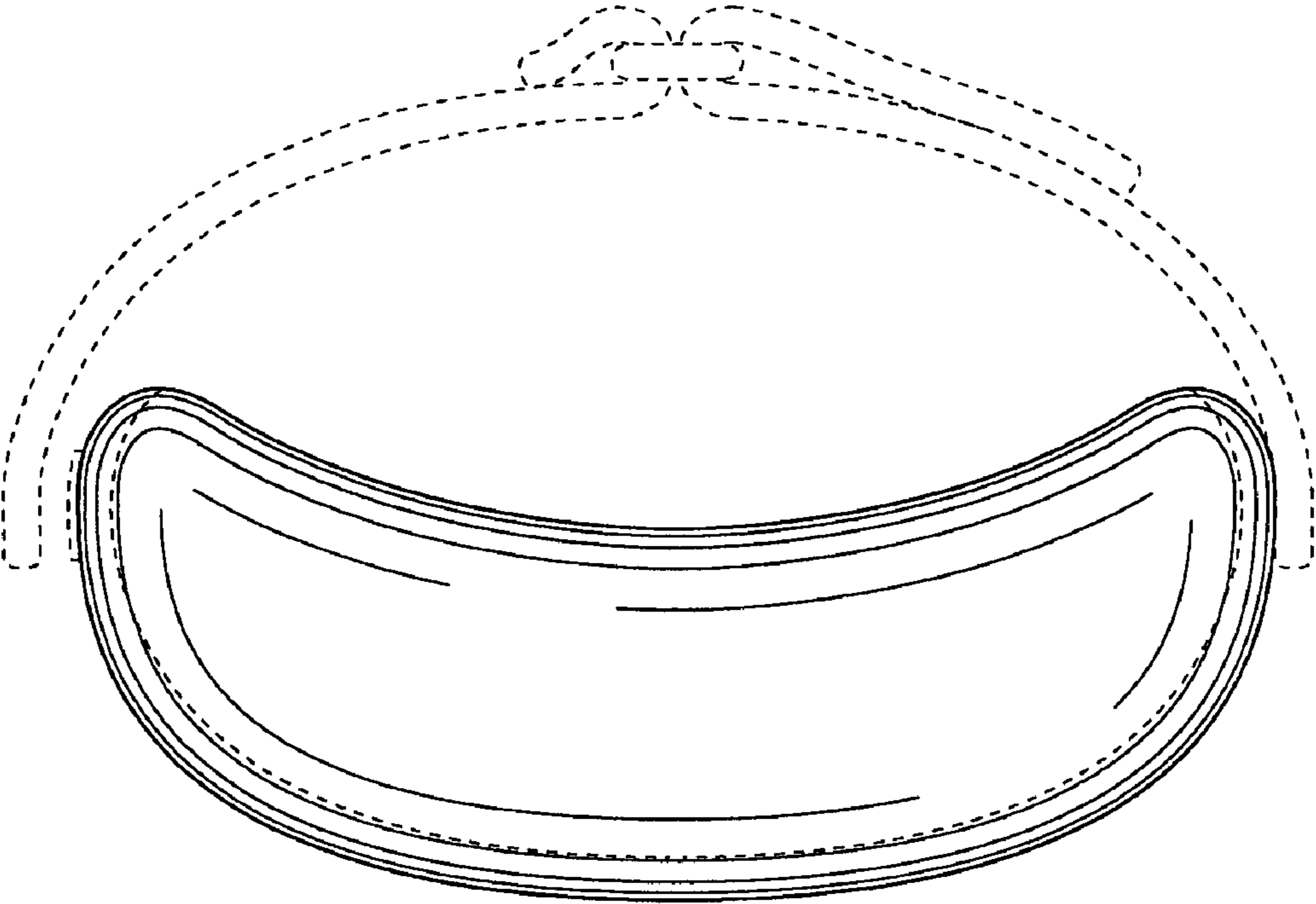


**Fig. 3**

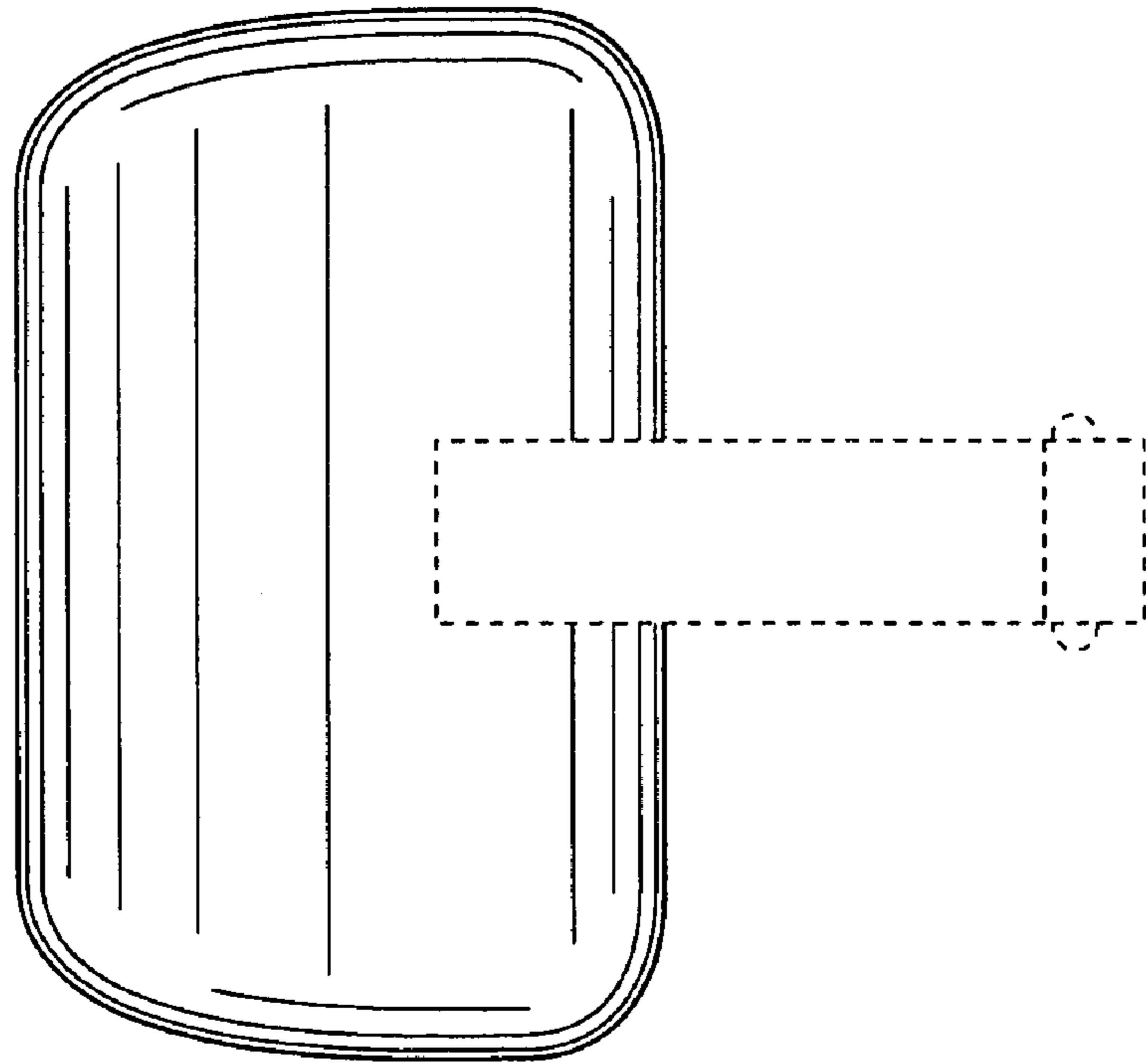




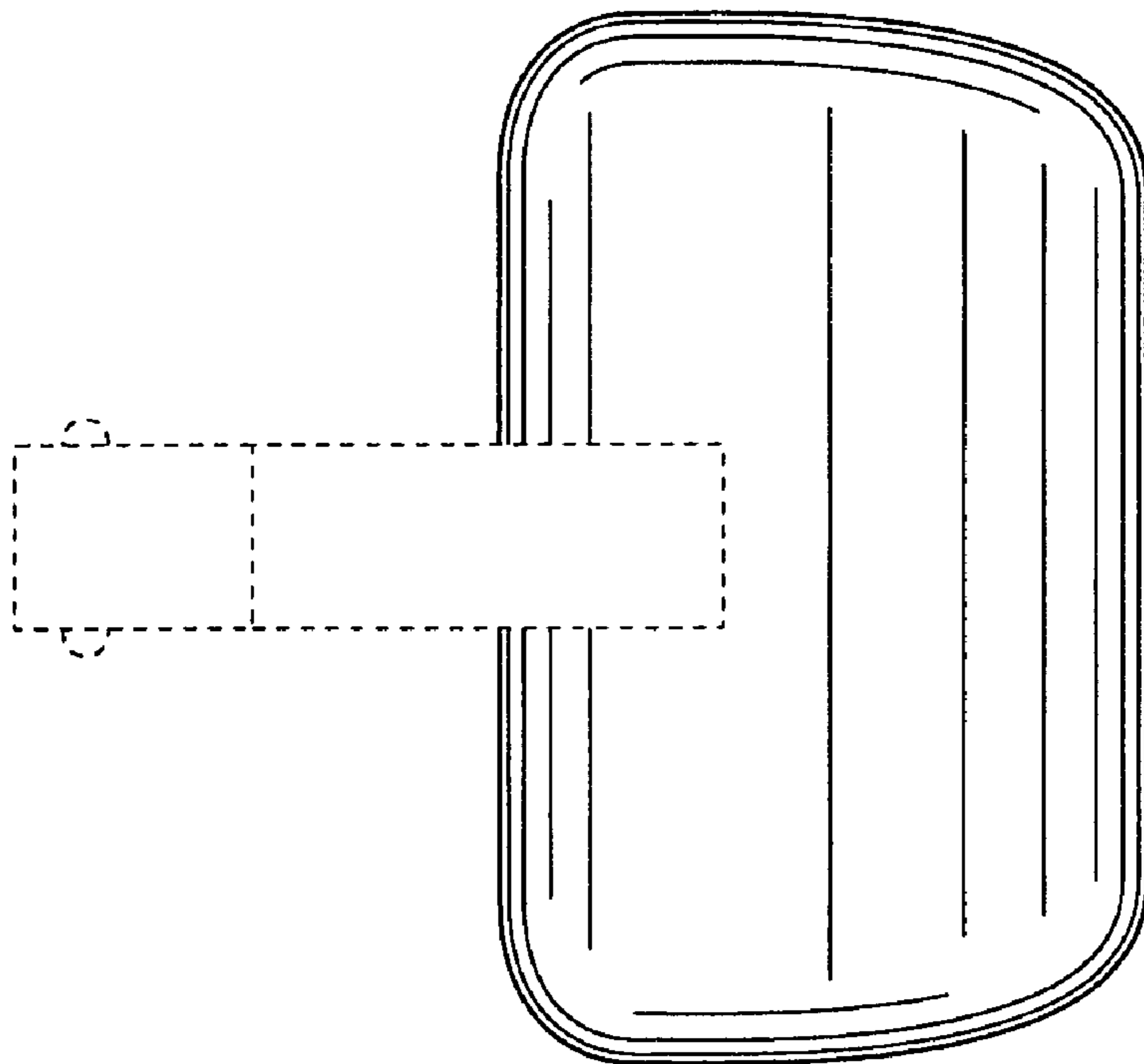
**Fig. 4**



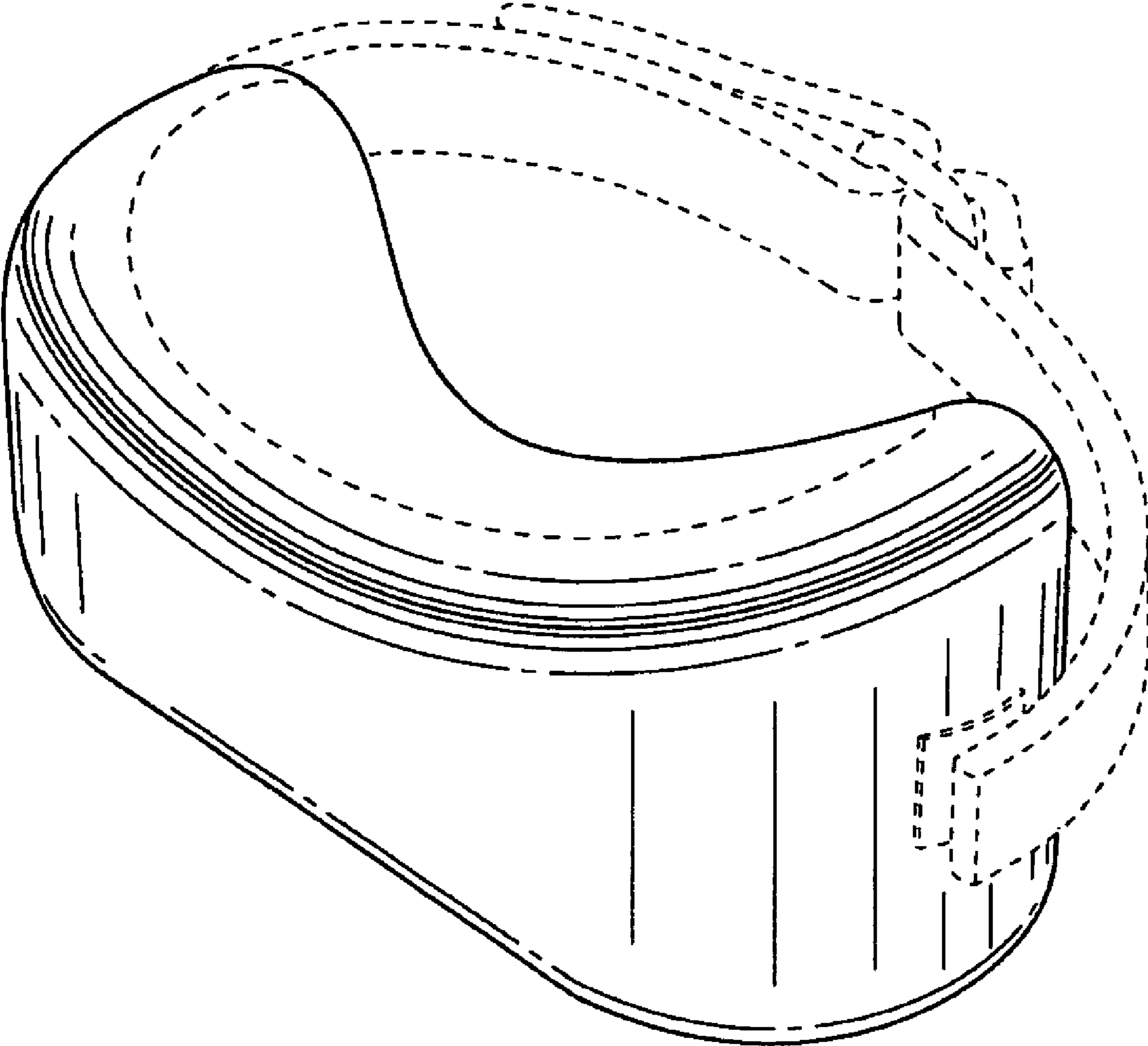
**Fig. 5**



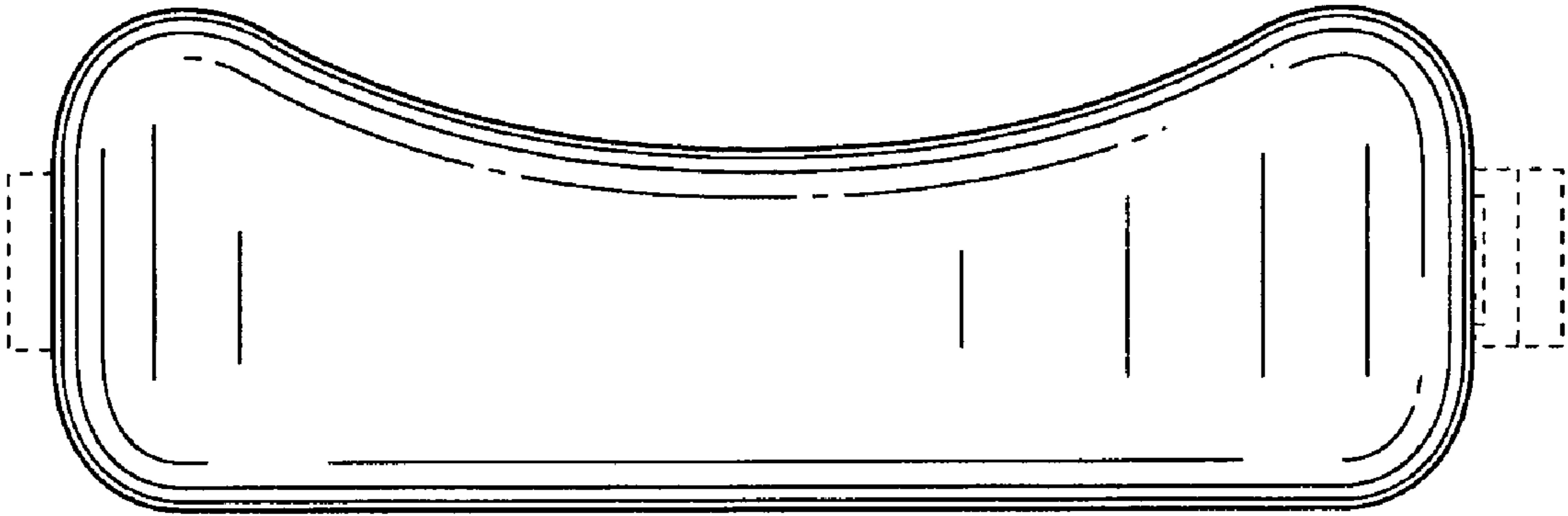
**Fig. 6**



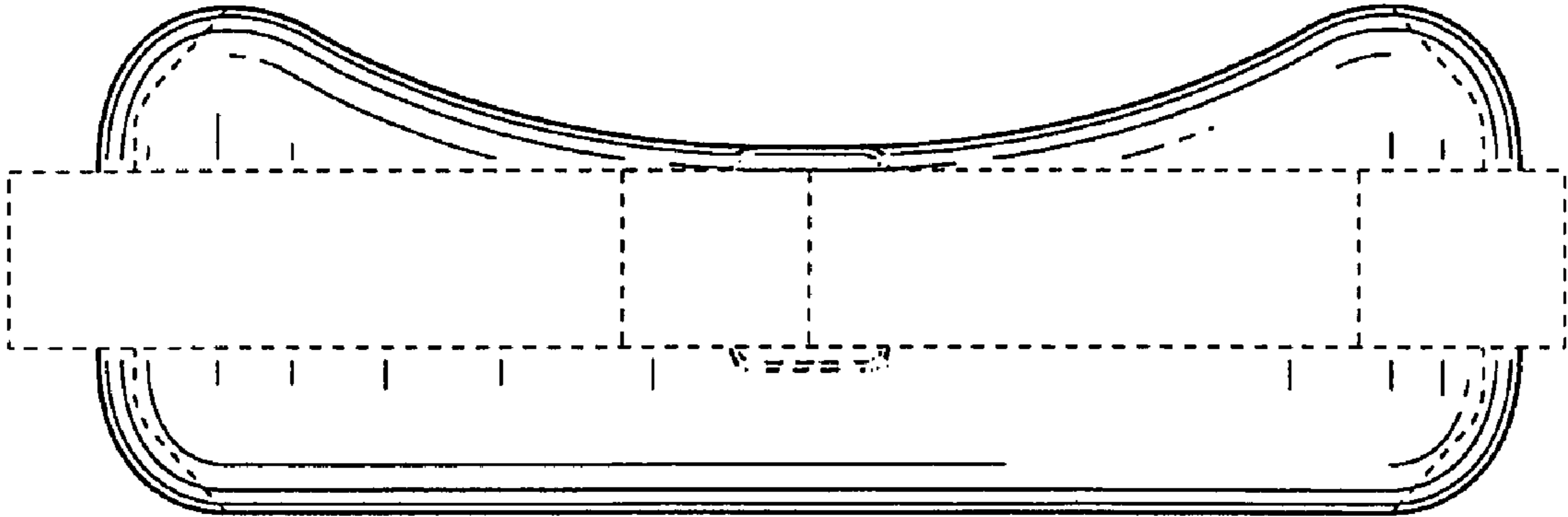
**Fig. 7**



**Fig. 8**

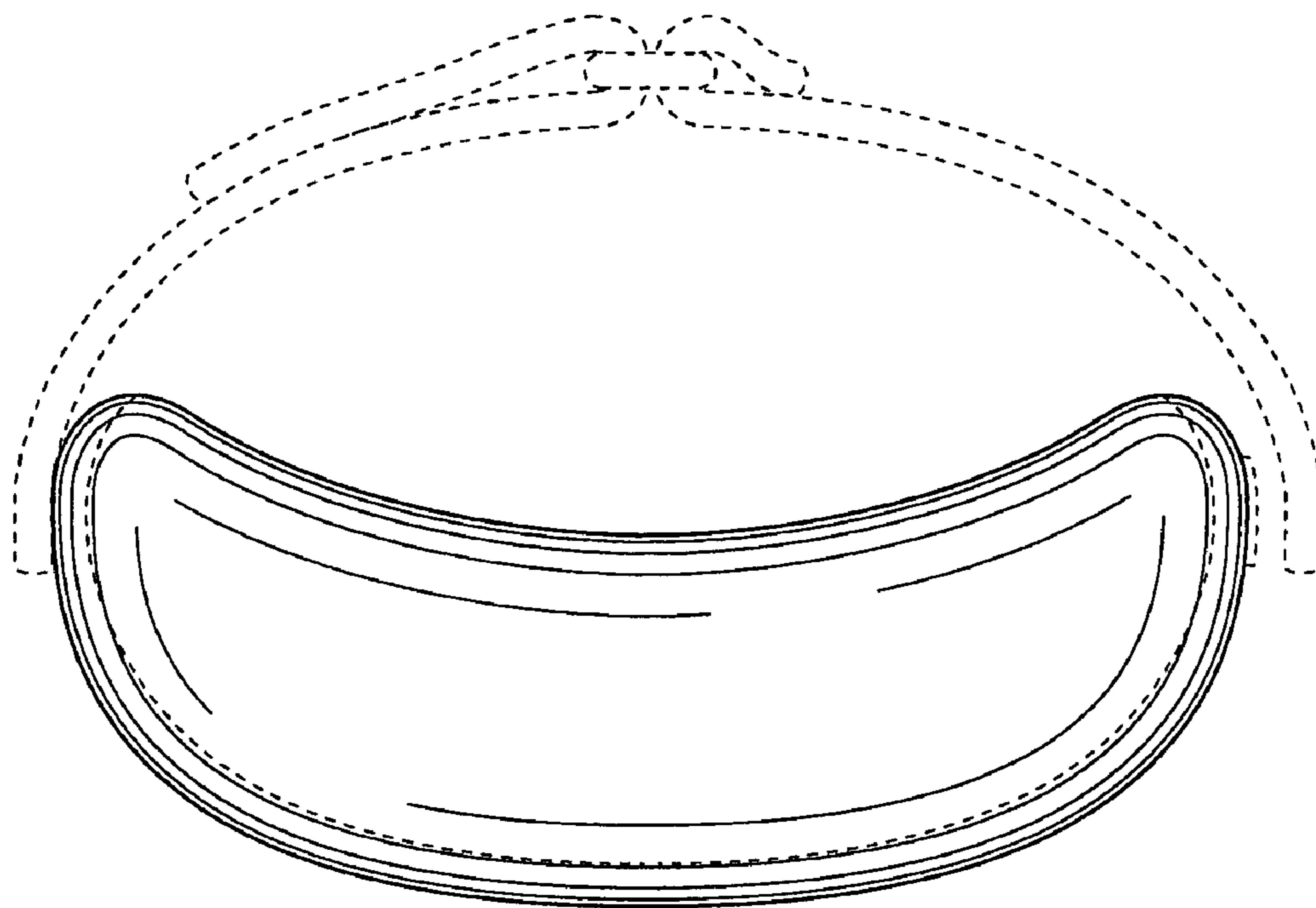


**Fig. 9**

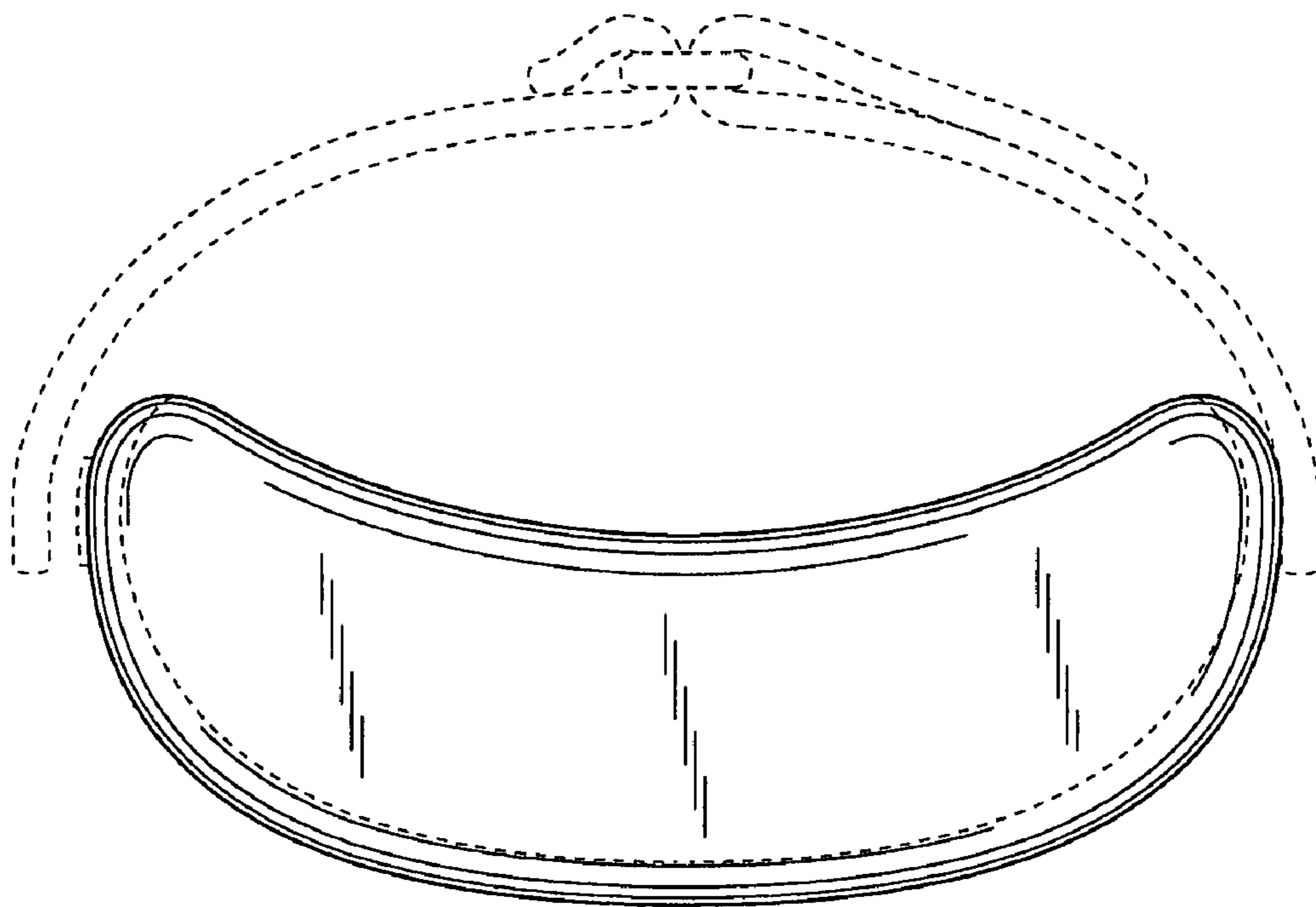


**Fig. 10**

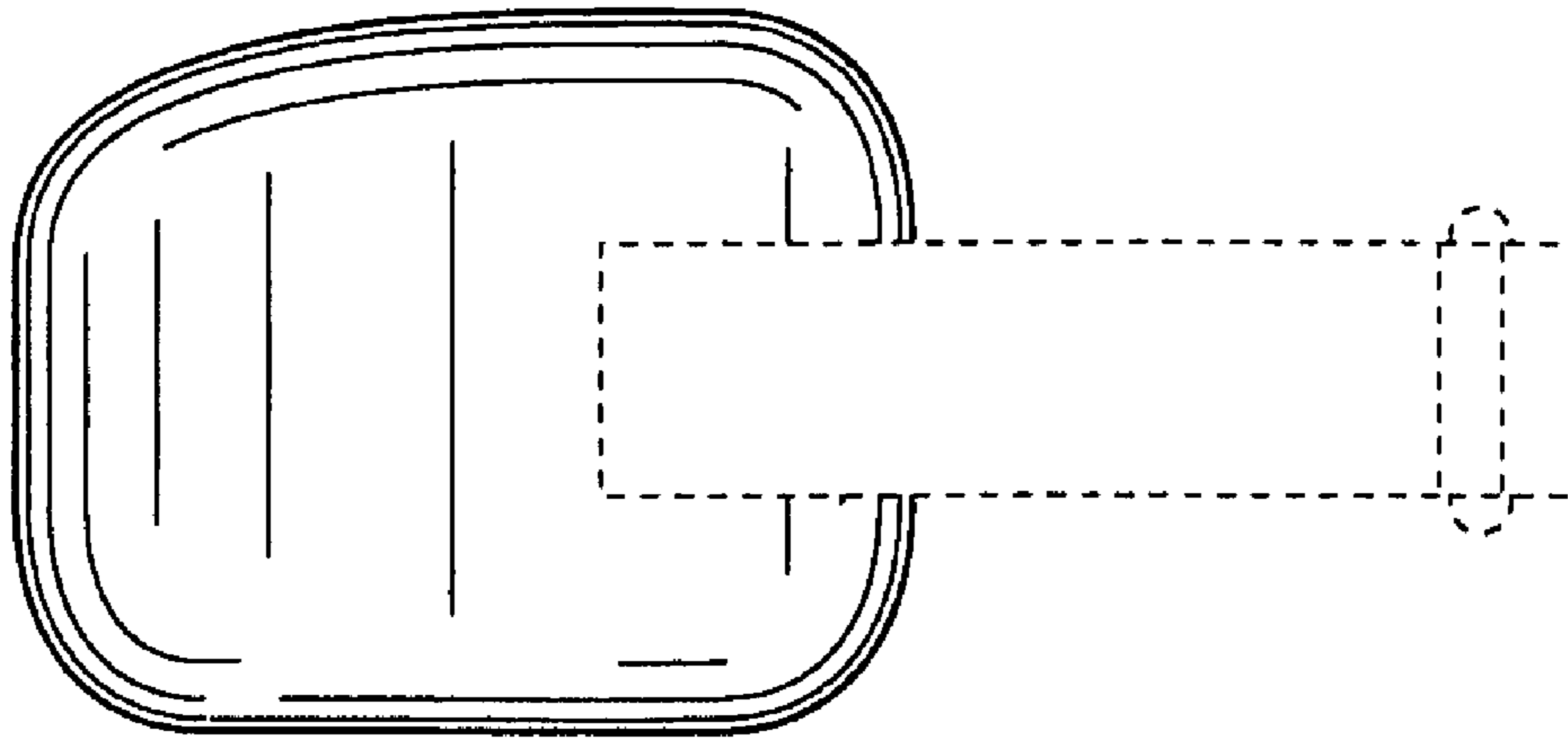




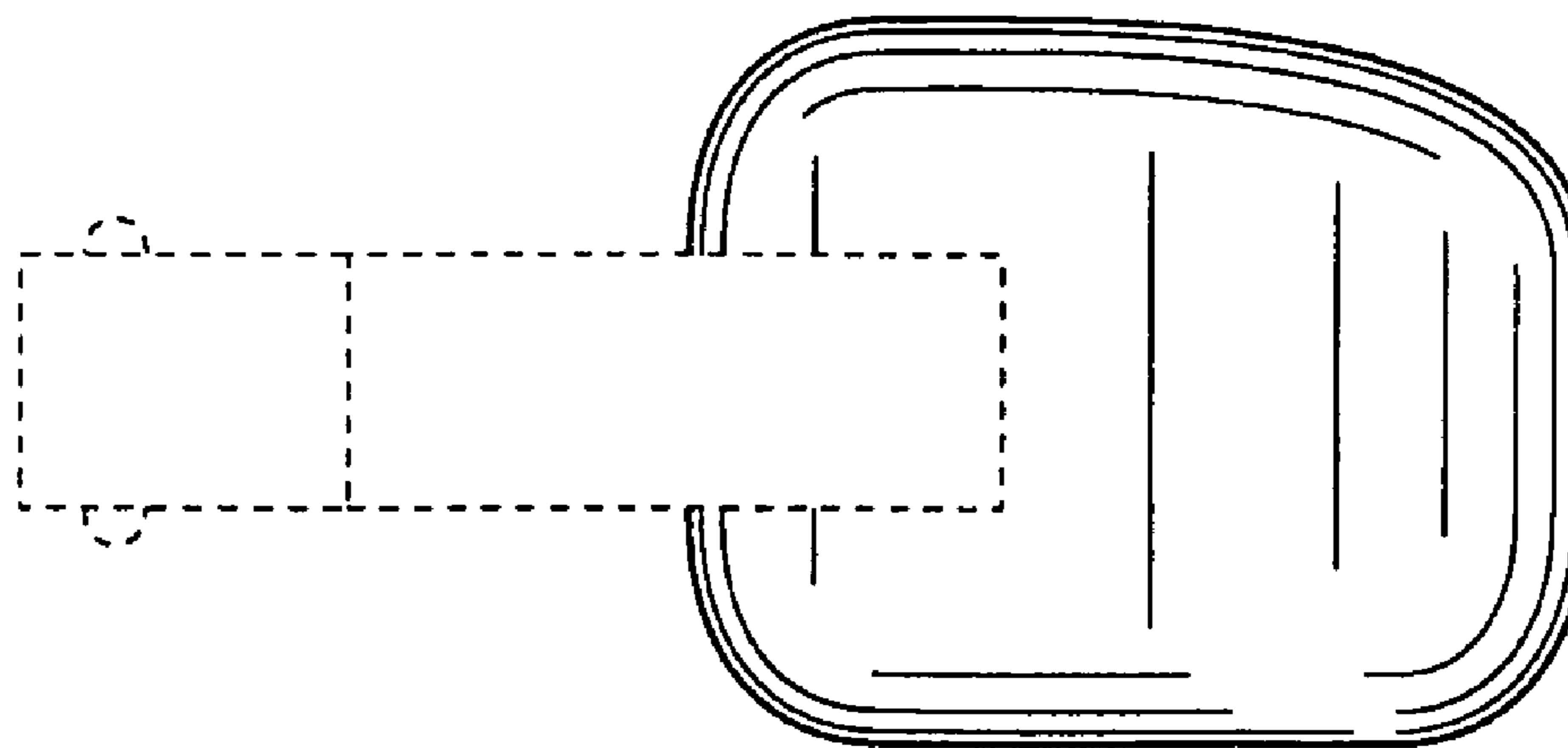
**Fig. 11**



**Fig. 12**



**Fig. 13**



**Fig. 14**