



US00D614893S

(12) **United States Design Patent**
Opsvik

(10) **Patent No.:** **US D614,893 S**
(45) **Date of Patent:** **** May 4, 2010**

(54) **BACKREST STANCHION FOR A CHILD'S CHAIR**

D590,159 S * 4/2009 Lin D6/339

* cited by examiner

(75) Inventor: **Peter Opsvik**, Oslo (NO)

Primary Examiner—Sandra Snapp

(73) Assignee: **Peter Opsvik AS**, Oslo (NO)

(74) *Attorney, Agent, or Firm*—Schneck & Schneck; Thomas Schneck

(**) Term: **14 Years**

(57) **CLAIM**

(21) Appl. No.: **29/277,596**

I claim the ornamental design for a backrest stanchion for a child's chair, as shown and described.

(22) Filed: **Mar. 2, 2007**

(30) **Foreign Application Priority Data**

DESCRIPTION

Sep. 4, 2006 (NO) 20060454

FIG. 1 is a front perspective view illustrating a backrest stanchion for a child's chair;

(51) **LOC (9) Cl.** **06-01**

FIG. 2 is a rear perspective view thereof;

(52) **U.S. Cl.** **D6/500**

FIG. 3 is a front elevational view thereof;

(58) **Field of Classification Search** D6/333,
D6/335, 339, 491, 500–502; D12/129; D21/412,
D21/419; 280/30, 31; 5/94, 98.1, 99.1, 101,
5/102, 105, 655; 297/183.1, 183.2, 183.3,
297/183.4, 184.13, 184.15, 184.17, 250.1,
297/255, 256.1, 256.15, 256.16

FIG. 4 is a rear elevational view thereof;

FIG. 5 is a left side view thereof;

See application file for complete search history.

FIG. 6 is a right side view thereof;

FIG. 7 is a top view thereof;

FIG. 8 is a bottom view thereof;

(56) **References Cited**

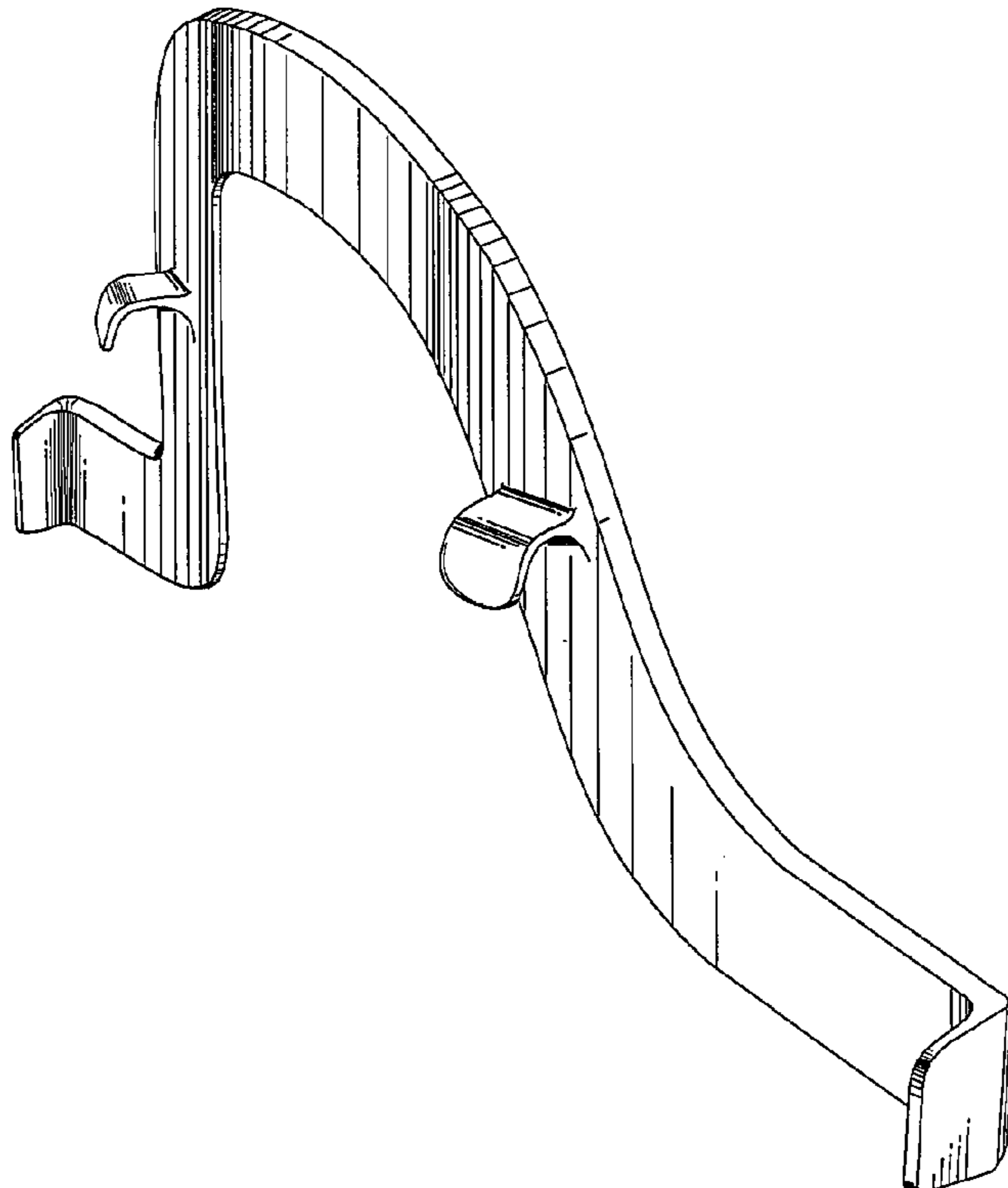
U.S. PATENT DOCUMENTS

D257,298 S * 10/1980 Temple D6/373
5,317,765 A * 6/1994 Knoedler et al. 4/572.1
D362,554 S * 9/1995 Grundner D6/339
D365,449 S * 12/1995 Wood D6/333
D575,534 S * 8/2008 Jane Santamaria D6/333

FIG. 9 is a front perspective view thereof with broken lines disclosing the environment associated with the design but not part of the claimed design; and,

FIG. 10 is a rear perspective view thereof with broken lines disclosing the environment associated with the design but not part of the claimed design.

1 Claim, 3 Drawing Sheets



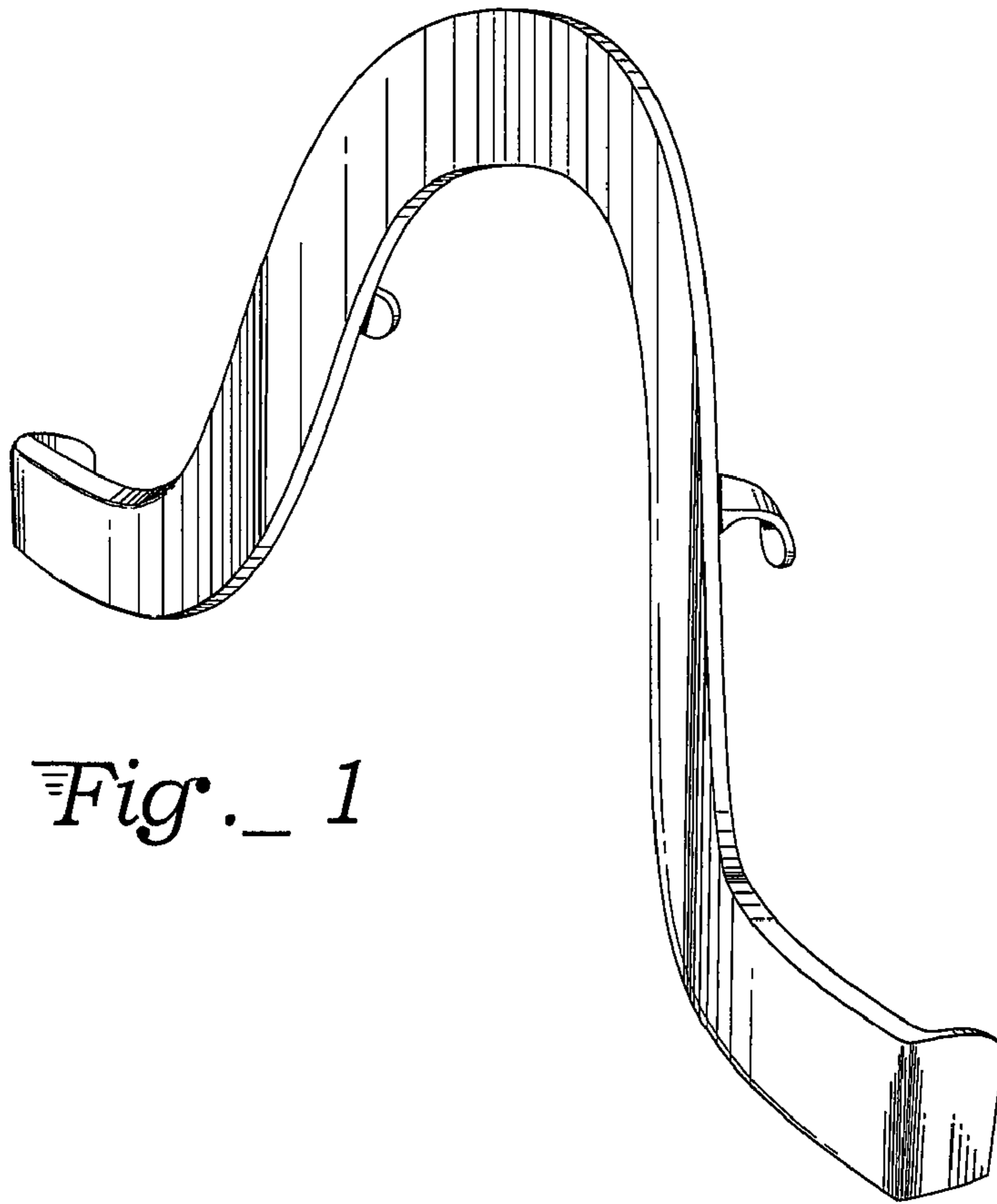


Fig. 1

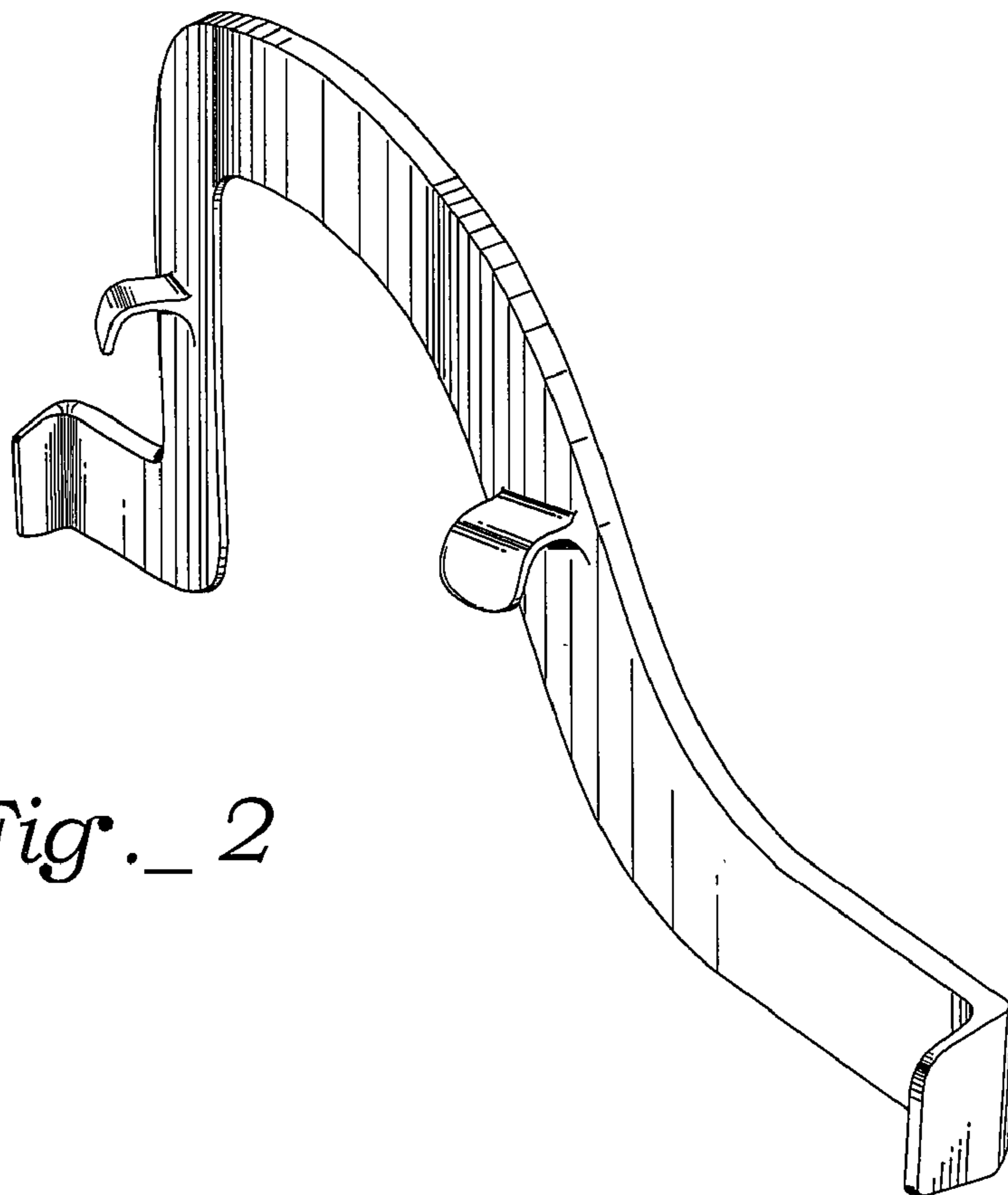


Fig. 2

Fig. 7

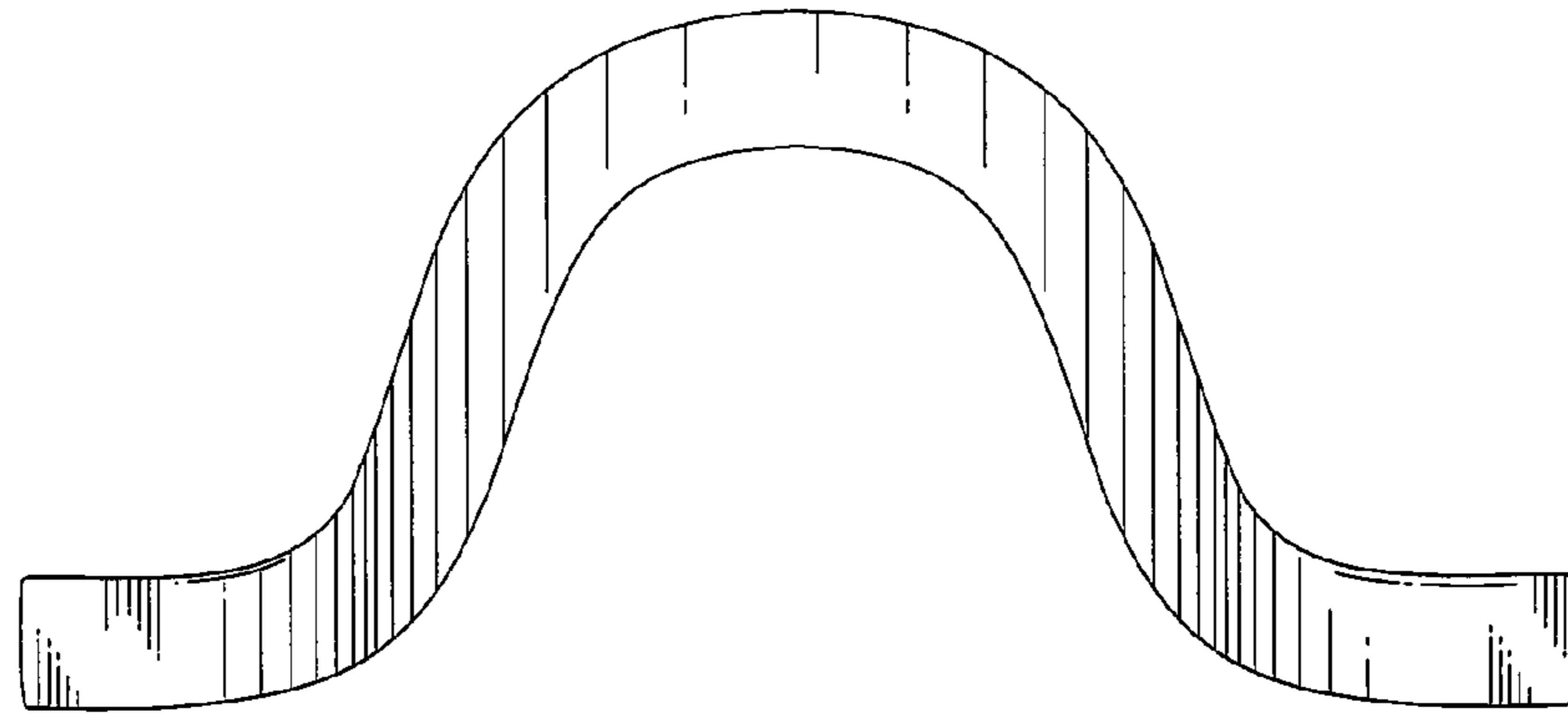
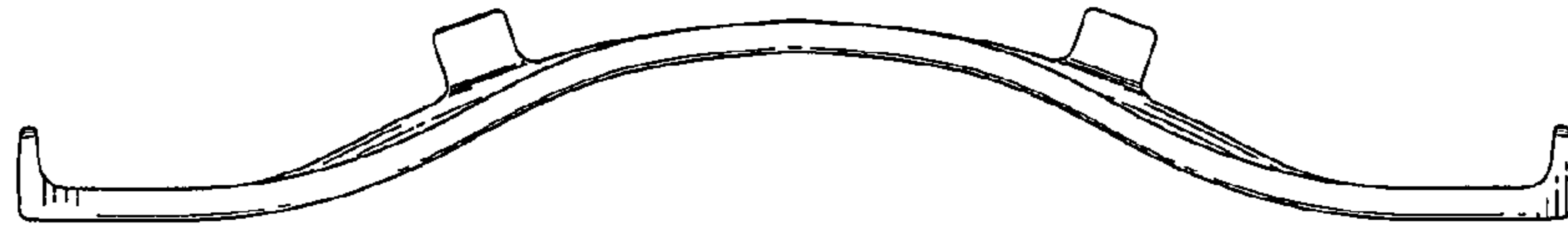


Fig. 3

Fig. 5

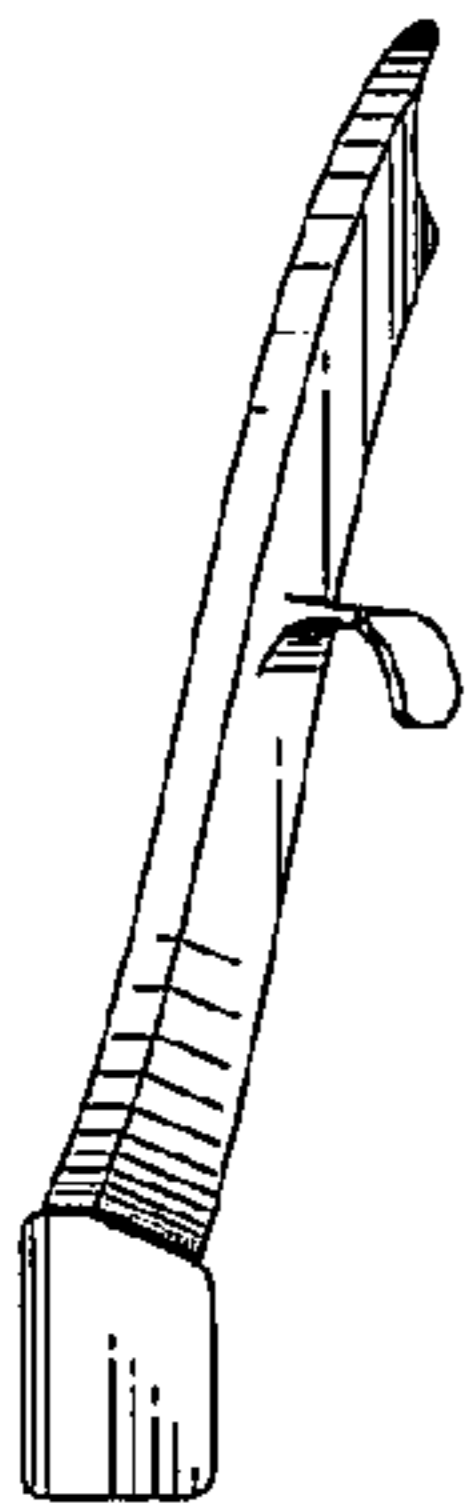


Fig. 6

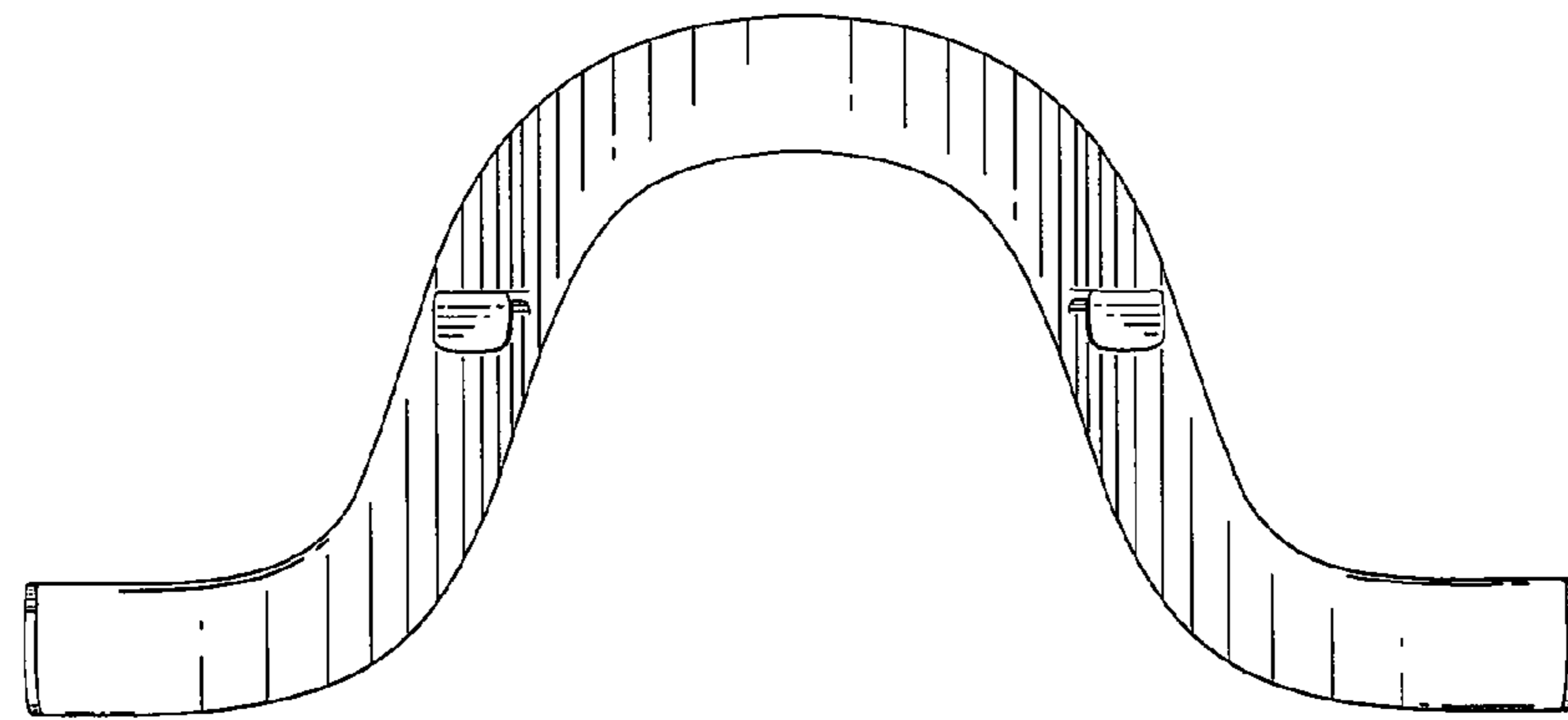
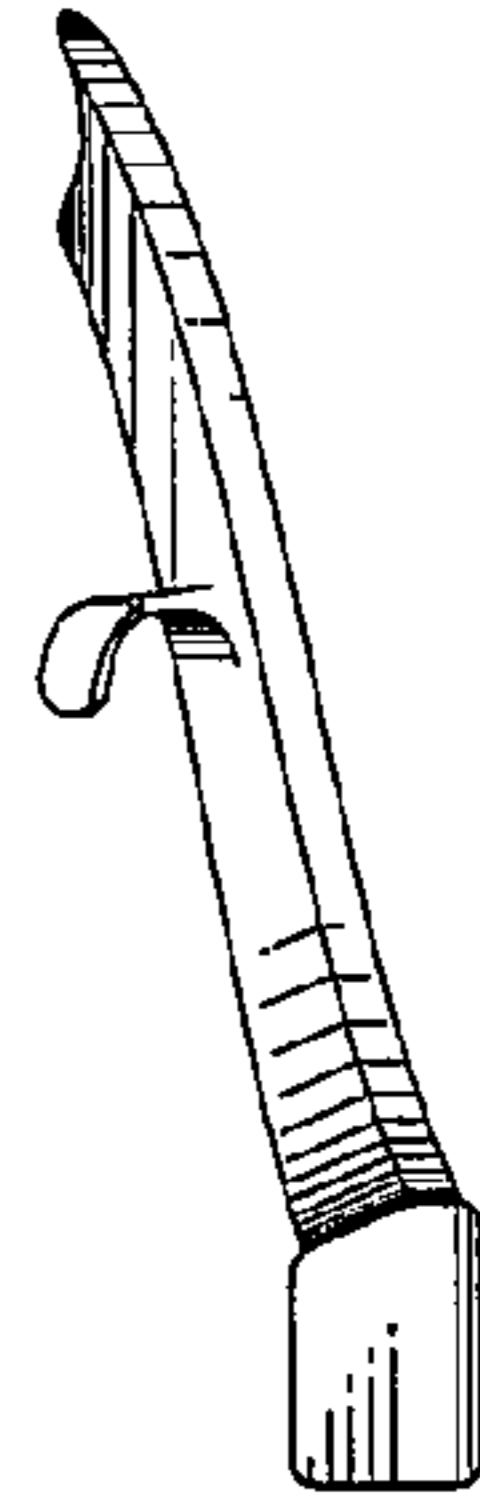


Fig. 4



Fig. 8

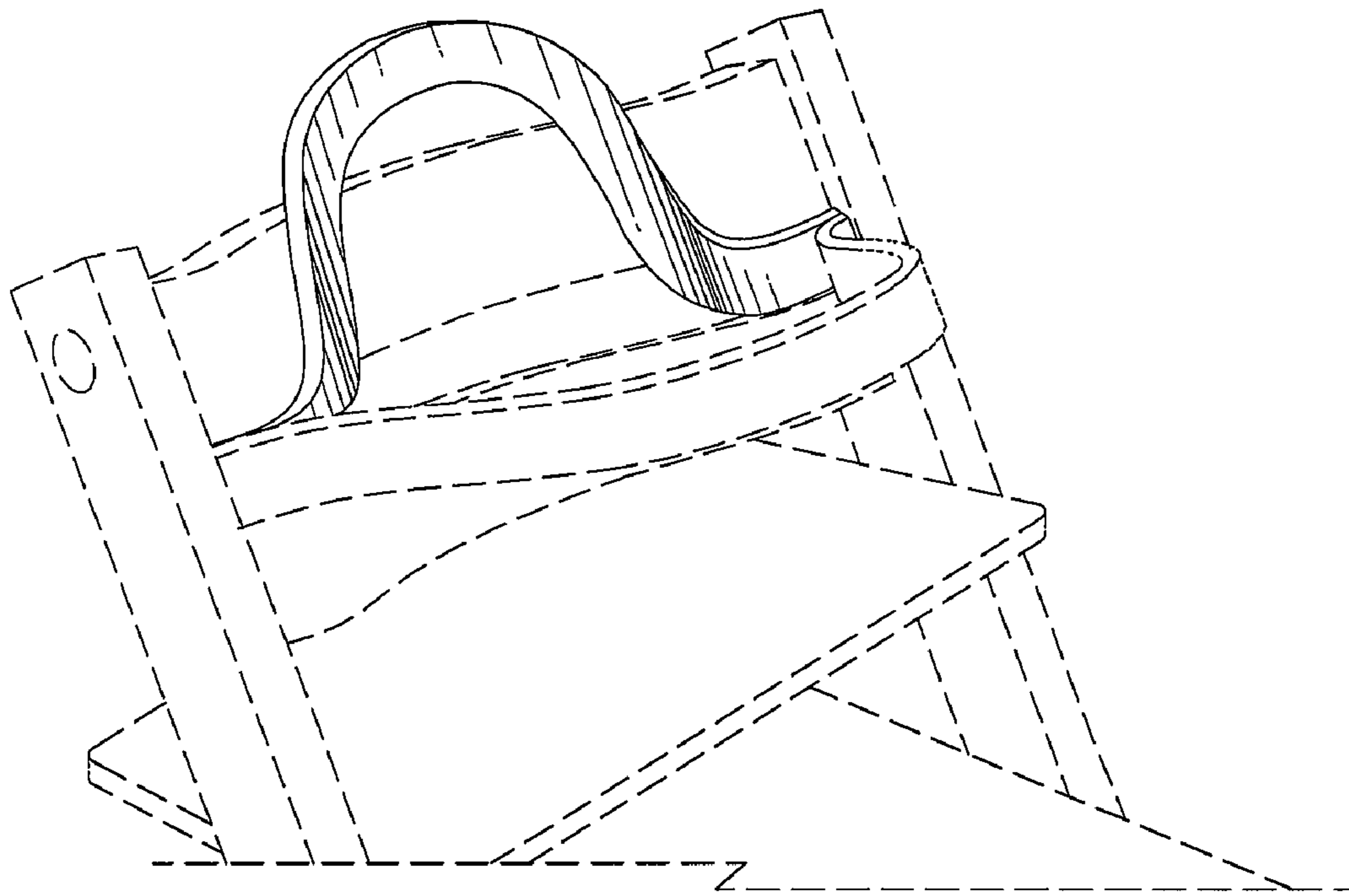


Fig. 9

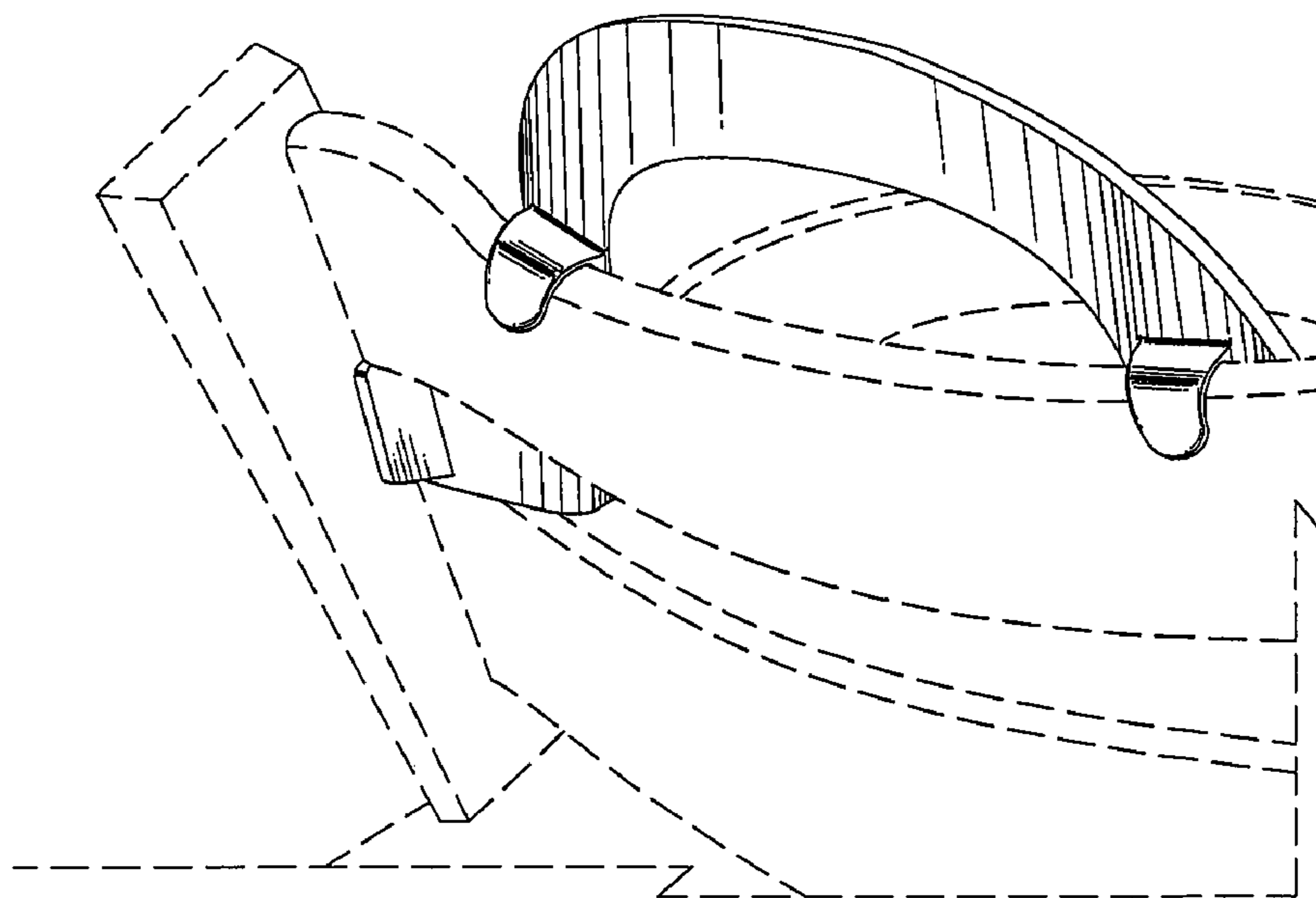


Fig. 10