



US00D614891S

(12) **United States Design Patent**
Matus, Jr.

(10) **Patent No.:** **US D614,891 S**

(45) **Date of Patent:** **** May 4, 2010**

(54) **SUPPORT POST FOR A ROLLER GRILL ASSEMBLY FOOD GUARD**

2002/0074907 A1* 6/2002 Elmer 312/140

* cited by examiner

(76) Inventor: **Jose Orlando Matus, Jr.**, 3850 Jack Wilson Rd., Gainesville, GA (US) 30506

Primary Examiner—Janice E Seeger

Assistant Examiner—Zenia I Bennett

(74) *Attorney, Agent, or Firm*—Daniel J. Santos

(**) Term: **14 Years**

(57) **CLAIM**

(21) Appl. No.: **29/334,187**

The ornamental design for a support post for a roller grill assembly food guard, as shown and described.

(22) Filed: **Mar. 23, 2009**

(51) **LOC (9) Cl.** **06-04**

(52) **U.S. Cl.** **D6/491**

(58) **Field of Classification Search** D6/397,
D6/471, 491, 495, 511, 470, 472, 481; 211/85.4;
312/114, 116, 137, 140.4

See application file for complete search history.

DESCRIPTION

FIG. 1 is a perspective view showing my new design in an exemplary environment.

FIG. 2 illustrates a left-side perspective view of the support post shown in FIG. 1.

FIG. 3 illustrates a top plan view of the support post shown in FIG. 2.

FIG. 4 illustrates a side plan view of the support post shown in FIG. 2.

FIG. 5 illustrates a bottom plan view of the support post shown in FIG. 2; and,

FIG. 6 illustrates a front plan view of the support post shown in FIG. 2.

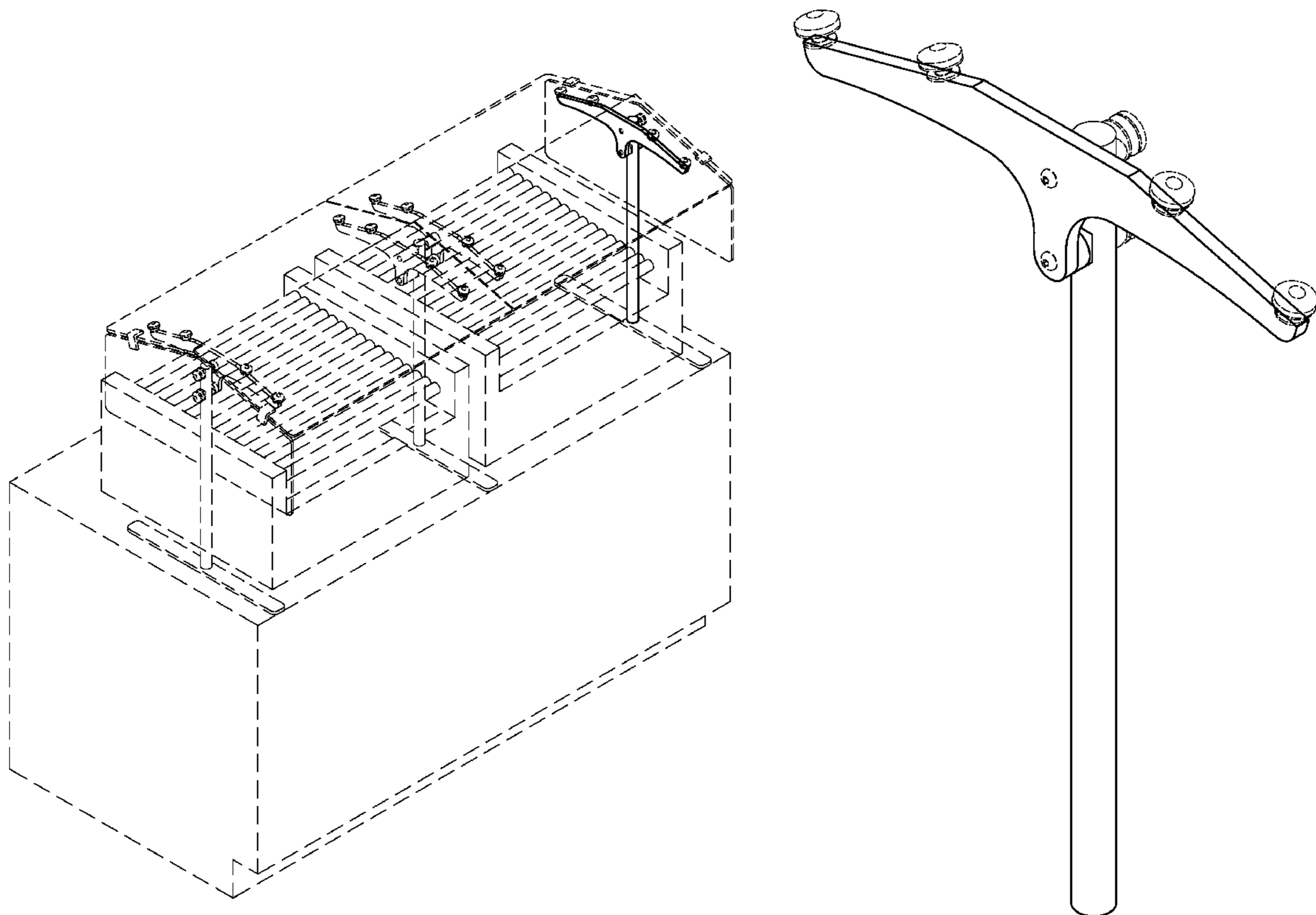
The broken lines in the drawings are for illustrative purposes only and form no part of the claimed design.

(56) **References Cited**

U.S. PATENT DOCUMENTS

- 3,162,495 A * 12/1964 Swift 108/23
- 4,572,598 A * 2/1986 Moore, Jr. 312/284
- D302,221 S * 7/1989 Suttles et al. D6/481
- 5,048,857 A * 9/1991 Stevens 280/651
- 5,082,334 A * 1/1992 Beyer et al. 312/140.4
- D349,617 S * 8/1994 Herman D6/481
- D364,764 S * 12/1995 Campbell et al. D6/491
- 5,551,774 A * 9/1996 Campbell et al. 312/284

1 Claim, 6 Drawing Sheets



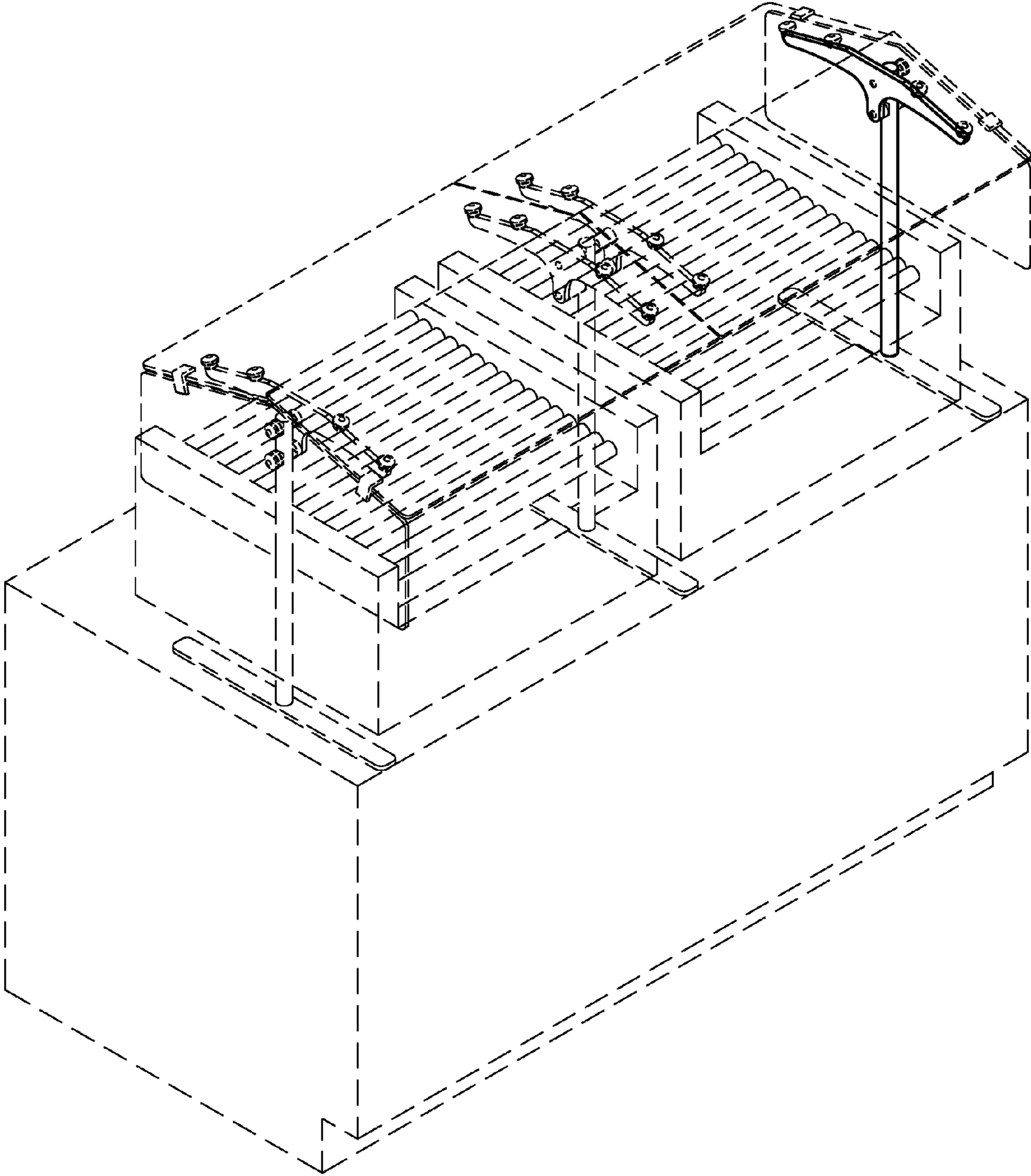


FIG. 1

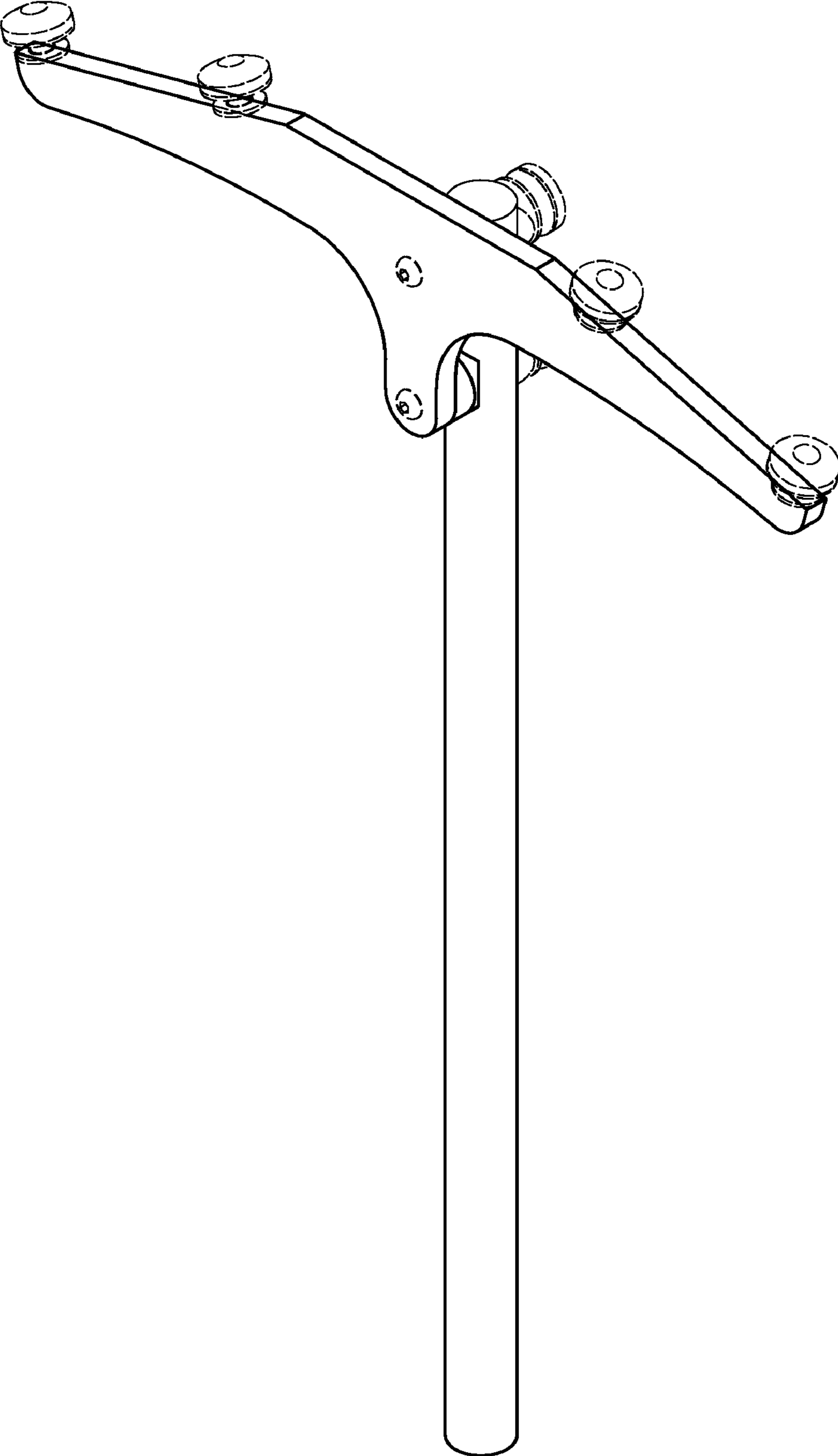


FIG. 2

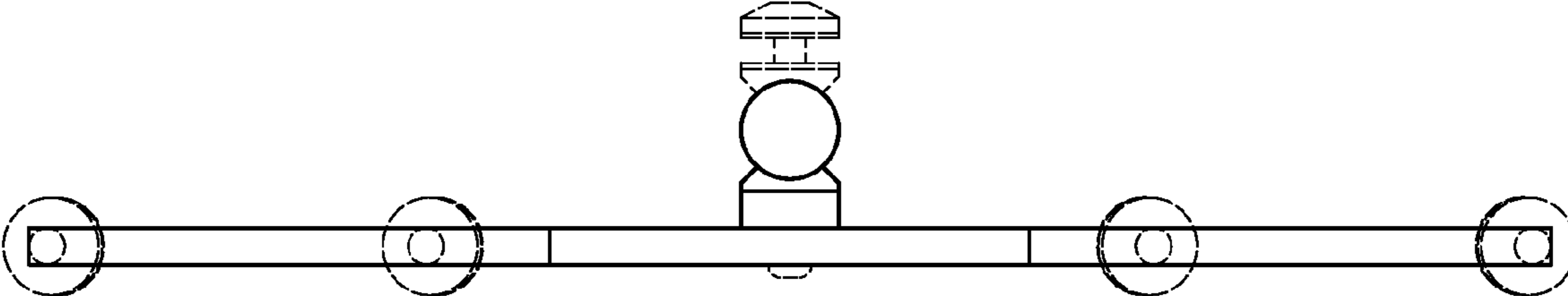


FIG. 3

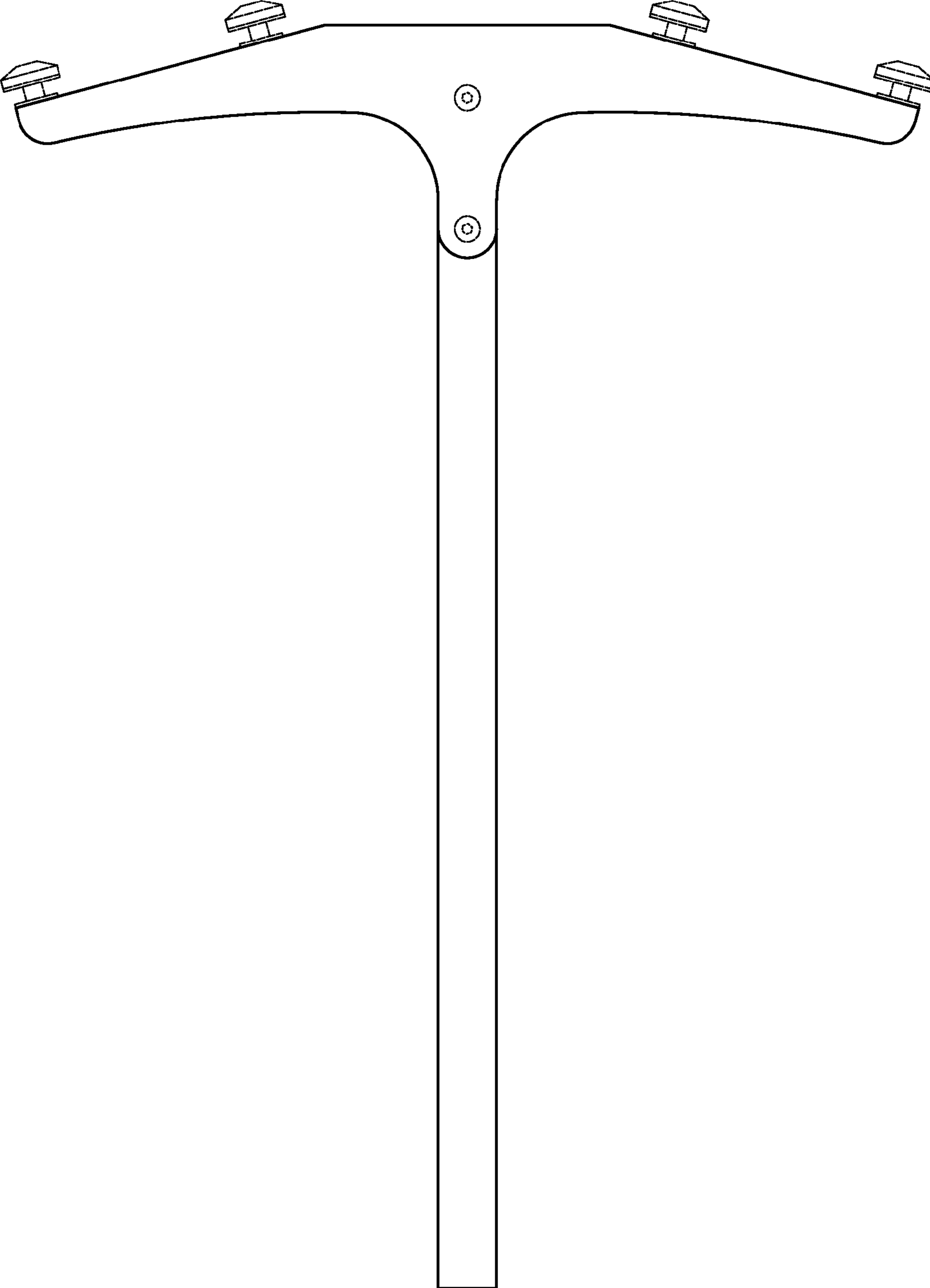


FIG. 4

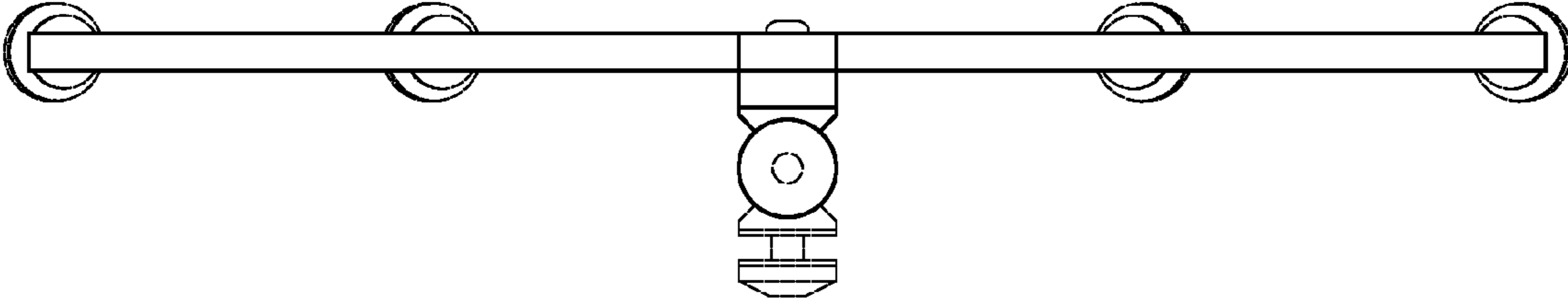


FIG. 5

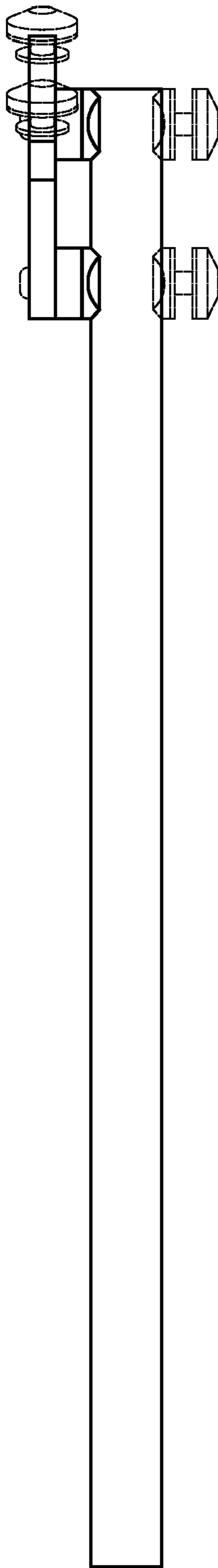


FIG. 6