



US00D614890S

(12) **United States Design Patent**
Matus, Jr.

(10) **Patent No.:** **US D614,890 S**
(45) **Date of Patent:** **** May 4, 2010**

(54) **SET OF SUPPORT STRUCTURES FOR A FOOD GUARD SYSTEM**

2002/0074907 A1* 6/2002 Elmer 312/140
* cited by examiner

(76) Inventor: **Jose Orlando Matus, Jr.**, 3860 Jack Wilson Rd., Gainesville, GA (US) 30506

Primary Examiner—Janice E Seeger
Assistant Examiner—Zenia I Bennett
(74) *Attorney, Agent, or Firm*—Daniel J. Santos

(**) Term: **14 Years**

(57) **CLAIM**

(21) Appl. No.: **29/326,272**

The ornamental design for a set of support structures for a food guard system, as shown and described.

(22) Filed: **Oct. 15, 2008**

(51) **LOC (9) Cl.** **06-04**

(52) **U.S. Cl.** **D6/491**

(58) **Field of Classification Search** D6/397,
D6/471, 491, 495, 511, 470, 472, 481; 211/85.4;
312/114, 116, 137, 140.4; D8/363, 349,
D8/354, 373; D25/126

DESCRIPTION

See application file for complete search history.

FIG. 1 illustrates a perspective view of the set of support structures for a food guard shield.

FIG. 2 illustrates a left-side perspective view of the support structure shown in FIG. 1.

FIG. 3 illustrates a top plan view of the support structure shown in FIG. 2.

FIG. 4 illustrates a side plan view of the support structure shown in FIG. 2.

FIG. 5 illustrates a bottom plan view of the support structure shown in FIG. 2; and,

FIG. 6 illustrates a front plan view of the support structure shown in FIG. 2.

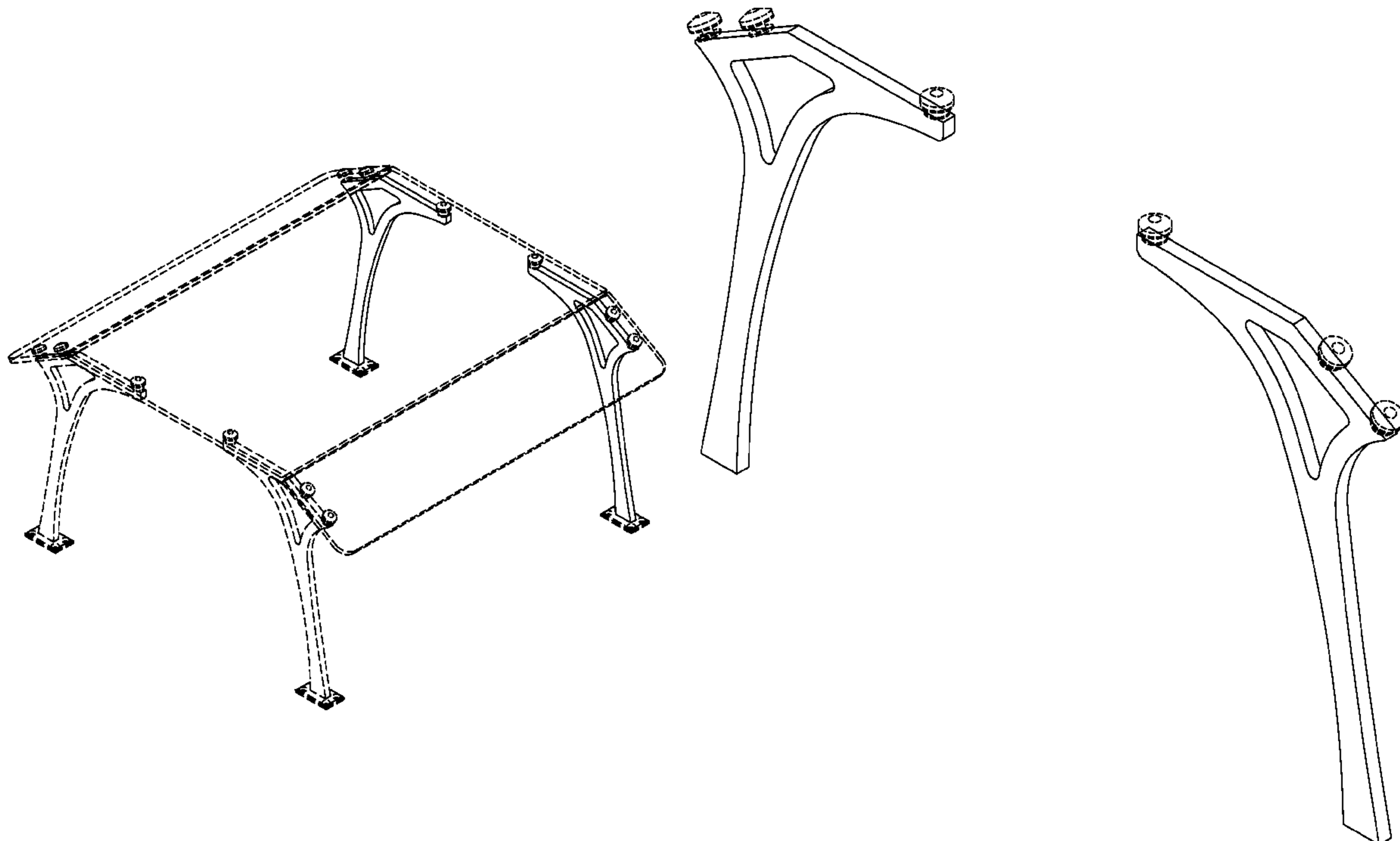
One illustrative embodiment is provided. The illustrated embodiment shows the form of a support structure of a food guard system. The broken lines in the drawings are for illustrative purposes only and form no part of the claimed design.

(56) **References Cited**

U.S. PATENT DOCUMENTS

D189,785 S *	2/1961	Swarts	D6/511
D206,198 S *	11/1966	Molitor	D6/509
D273,547 S *	4/1984	Taub	D6/491
4,572,598 A *	2/1986	Moore, Jr.	312/284
D302,221 S *	7/1989	Suttles et al.	D6/481
5,048,857 A *	9/1991	Stevens	280/651
D346,516 S *	5/1994	D'Anna et al.	D6/511
D349,617 S *	8/1994	Herman	D6/481
D364,764 S *	12/1995	Campbell et al.	D6/491
5,551,774 A *	9/1996	Campbell et al.	312/284

1 Claim, 6 Drawing Sheets



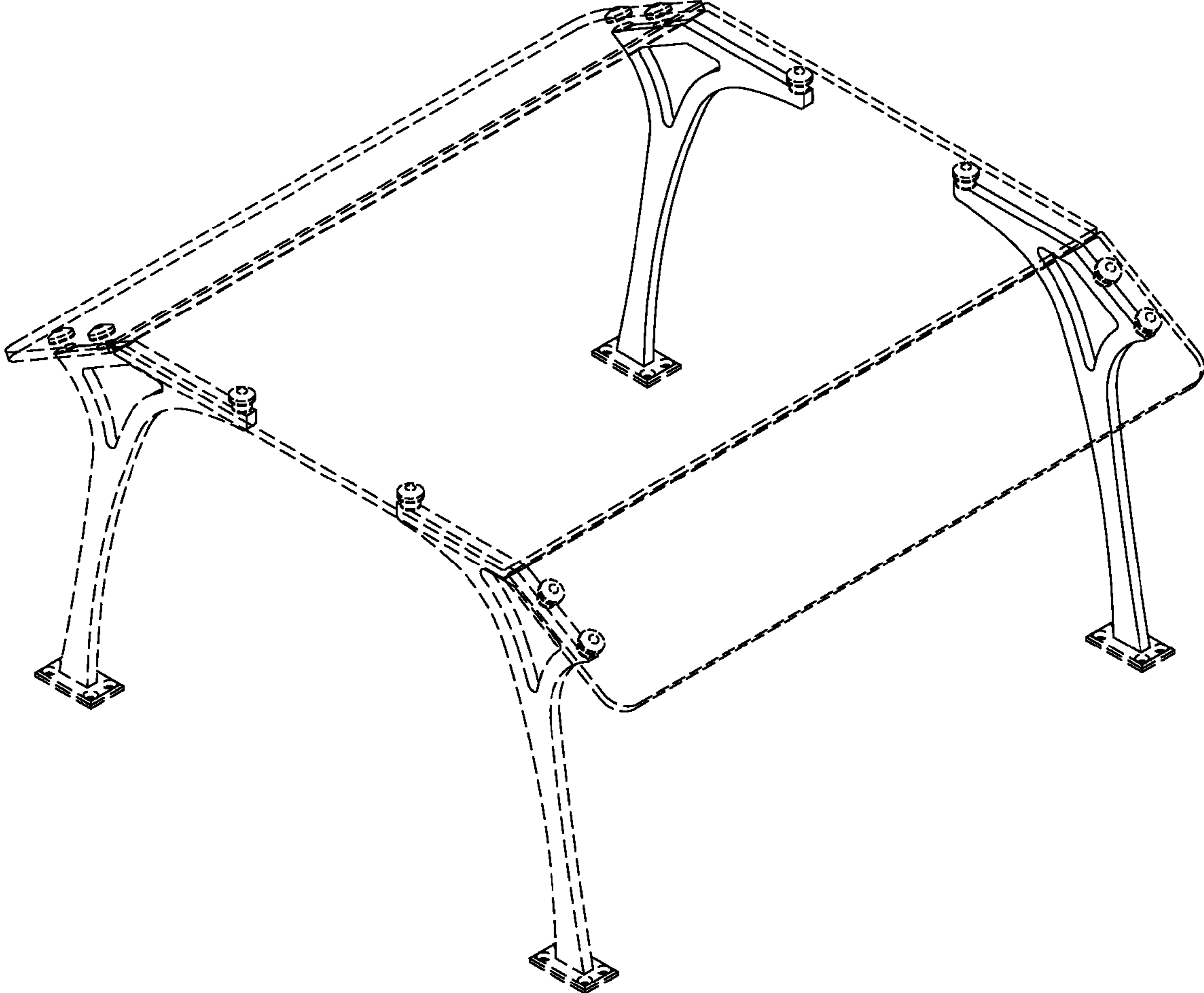


Fig 1

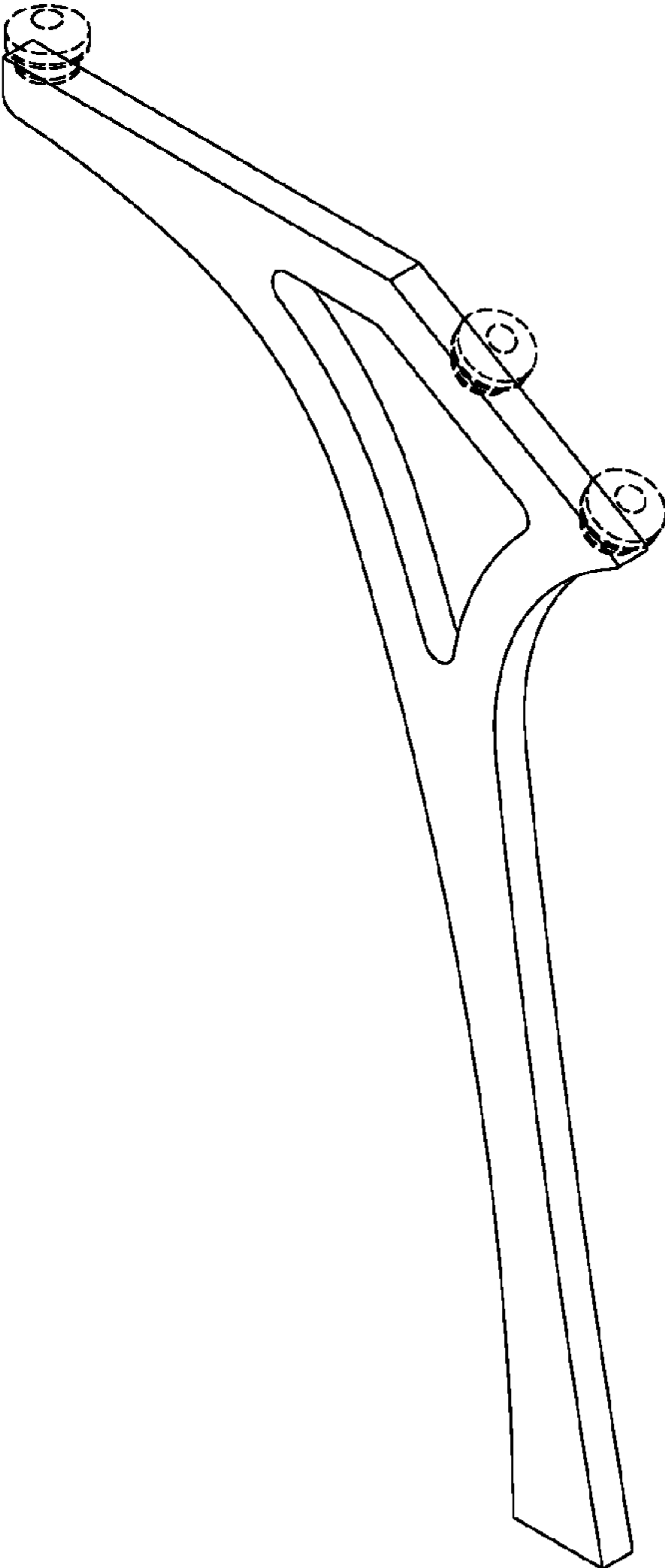
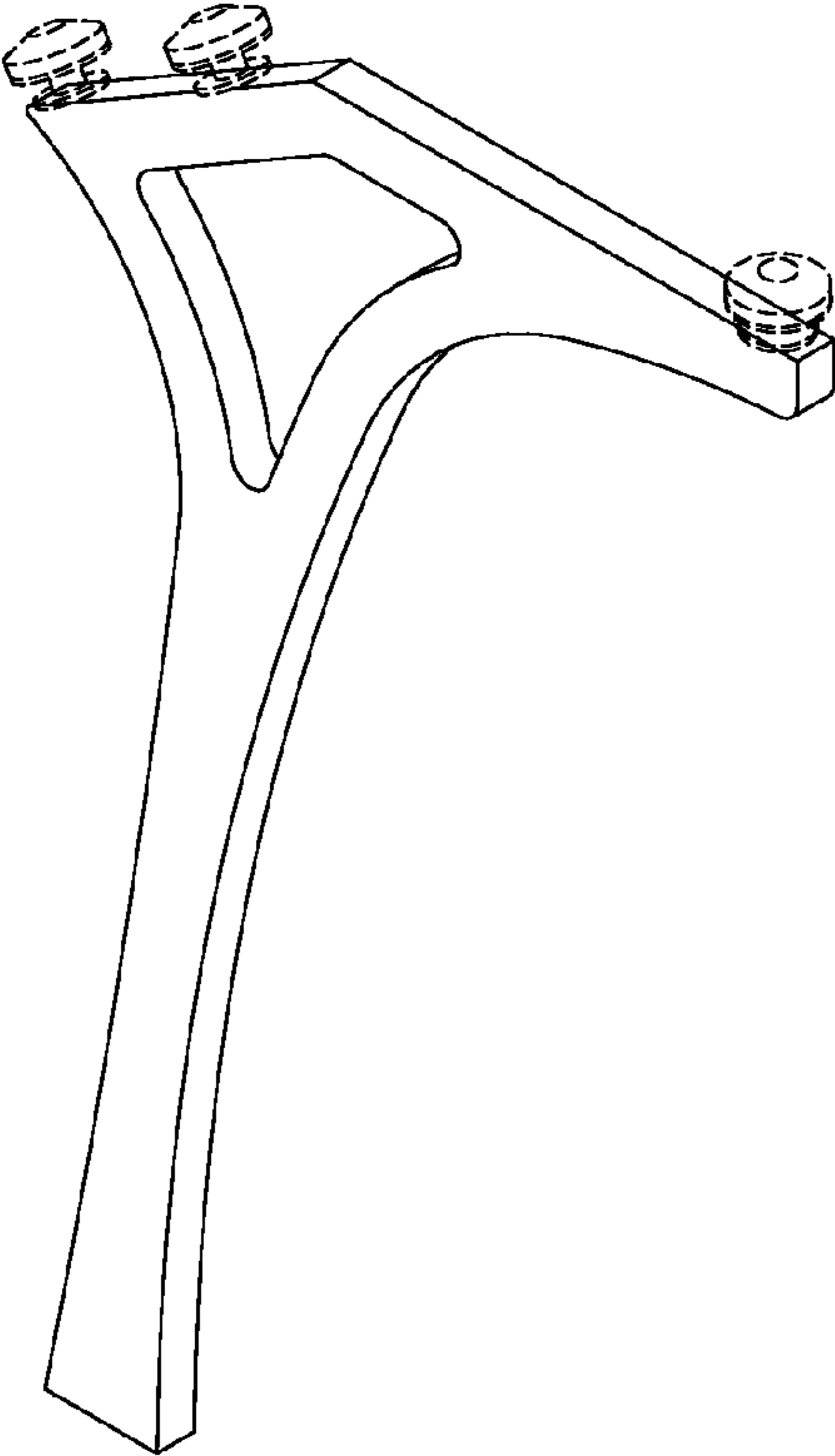


Fig 2



Fig 3

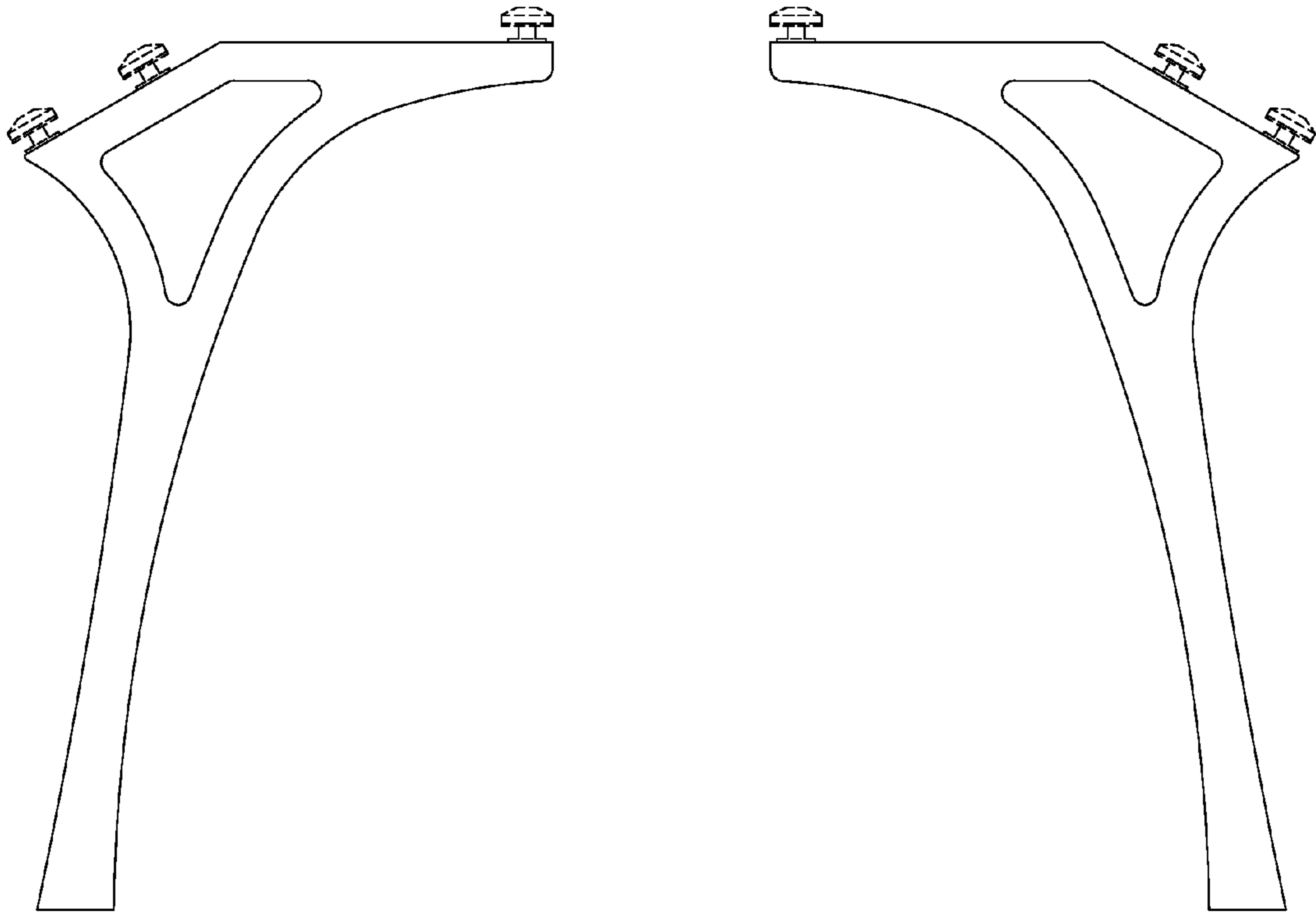


Fig 4

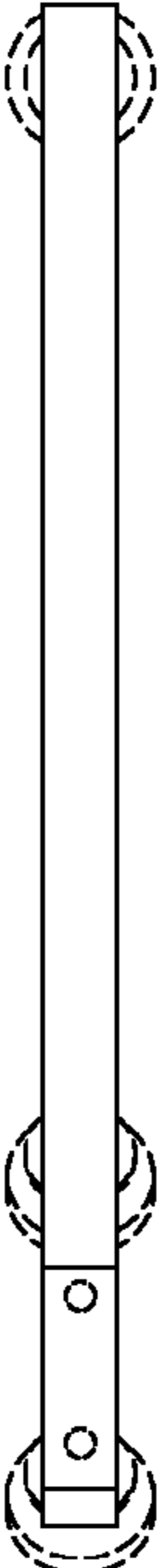
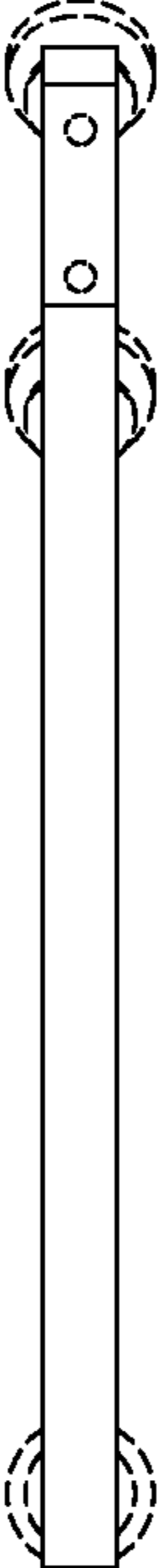


Fig 5

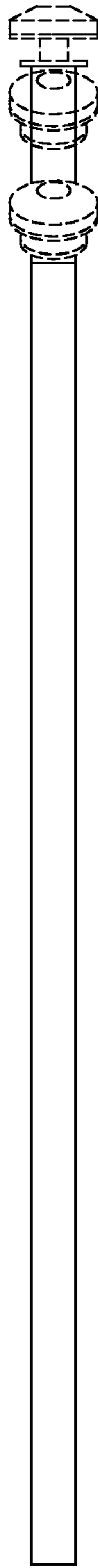


Fig 6