



US00D614887S

(12) **United States Design Patent**
Reeves et al.

(10) **Patent No.:** **US D614,887 S**

(45) **Date of Patent:** **** May 4, 2010**

(54) **PORTABLE WORKBENCH**

(75) Inventors: **Kim C. Reeves**, Lexington, TN (US);
Robert P. Welsh, Phoenix, MD (US)

(73) Assignee: **Black & Decker Inc.**, Newark, DE (US)

(**) Term: **14 Years**

(21) Appl. No.: **29/303,684**

(22) Filed: **Feb. 14, 2008**

Related U.S. Application Data

(63) Continuation-in-part of application No. 29/282,260,
filed on Jul. 16, 2007, now Pat. No. Des. 564,780.

(51) **LOC (9) Cl.** **06-04**

(52) **U.S. Cl.** **D6/397**

(58) **Field of Classification Search** D6/397,
D6/400, 429-431, 495-499, 509; 108/127,
108/153.1, 155, 188.6; 144/286.1, 287, 329,
144/286.5; 248/188.6; D15/141; 269/295;
83/859

See application file for complete search history.

(56) **References Cited**

U.S. PATENT DOCUMENTS

D306,109	S	*	2/1990	Borsani	D6/487
4,909,491	A	*	3/1990	Cheng	269/16
D325,679	S	*	4/1992	O'Mealy et al.	D6/429
D386,328	S	*	11/1997	Good	D6/480
D405,294	S	*	2/1999	Adams	D6/462
5,950,999	A	*	9/1999	Lin	269/139
6,113,088	A	*	9/2000	Gakhar et al.	269/139
D432,810	S	*	10/2000	Eckhoff et al.	D6/400
D448,948	S	*	10/2001	Wolff	D6/400

D491,962	S	*	6/2004	Laga	D15/141
D566,735	S	*	4/2008	Wise	D15/141
D571,121	S	*	6/2008	Radermacher	D6/400
D572,937	S	*	7/2008	Wenskowski	D6/400
D591,539	S	*	5/2009	Bracher	D6/495
D592,420	S	*	5/2009	Nankervis	D6/411
2003/0214088	A1	*	11/2003	Chang	269/139

* cited by examiner

Primary Examiner—Elizabeth A Albert

Assistant Examiner—Kelley A Donnelly

(74) *Attorney, Agent, or Firm*—Adan Ayala

(57) **CLAIM**

The ornamental design for a portable workbench, as shown and described.

DESCRIPTION

FIG. 1 is a perspective view of a portable workbench according to the invention.

FIG. 2 is a right side view of the portable workbench of FIG. 1.

FIG. 3 is a left side view of the portable workbench of FIG. 1.

FIG. 4 is a front view of the portable workbench of FIG. 1.

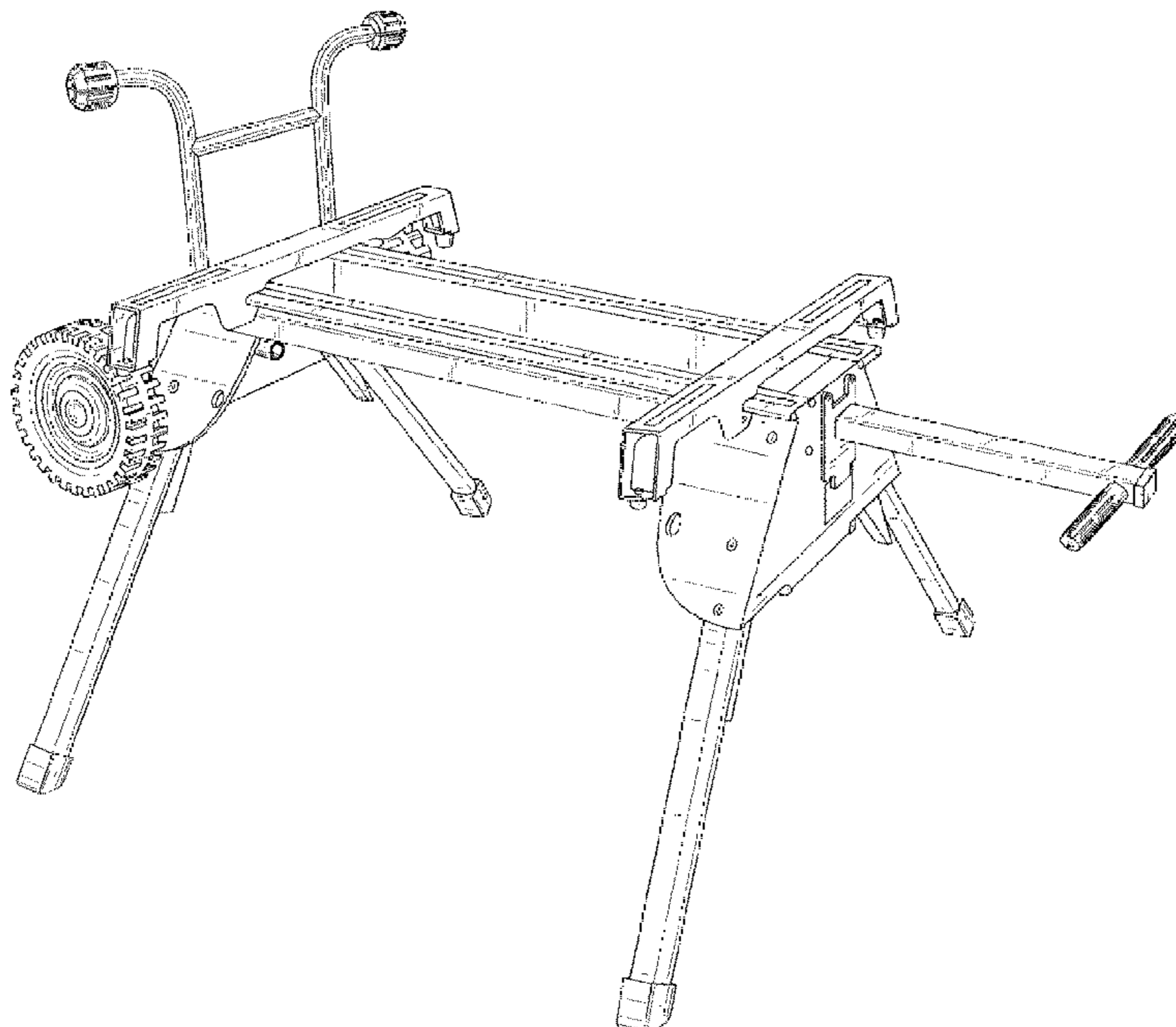
FIG. 5 is a rear view of the portable workbench of FIG. 1.

FIG. 6 is a top plan view of the portable workbench of FIG. 1; and,

FIG. 7 is a bottom plan view of the portable workbench of FIG. 1.

The broken lines showing features in the drawings are for environmental purposes only and form no part of the claimed design.

1 Claim, 7 Drawing Sheets



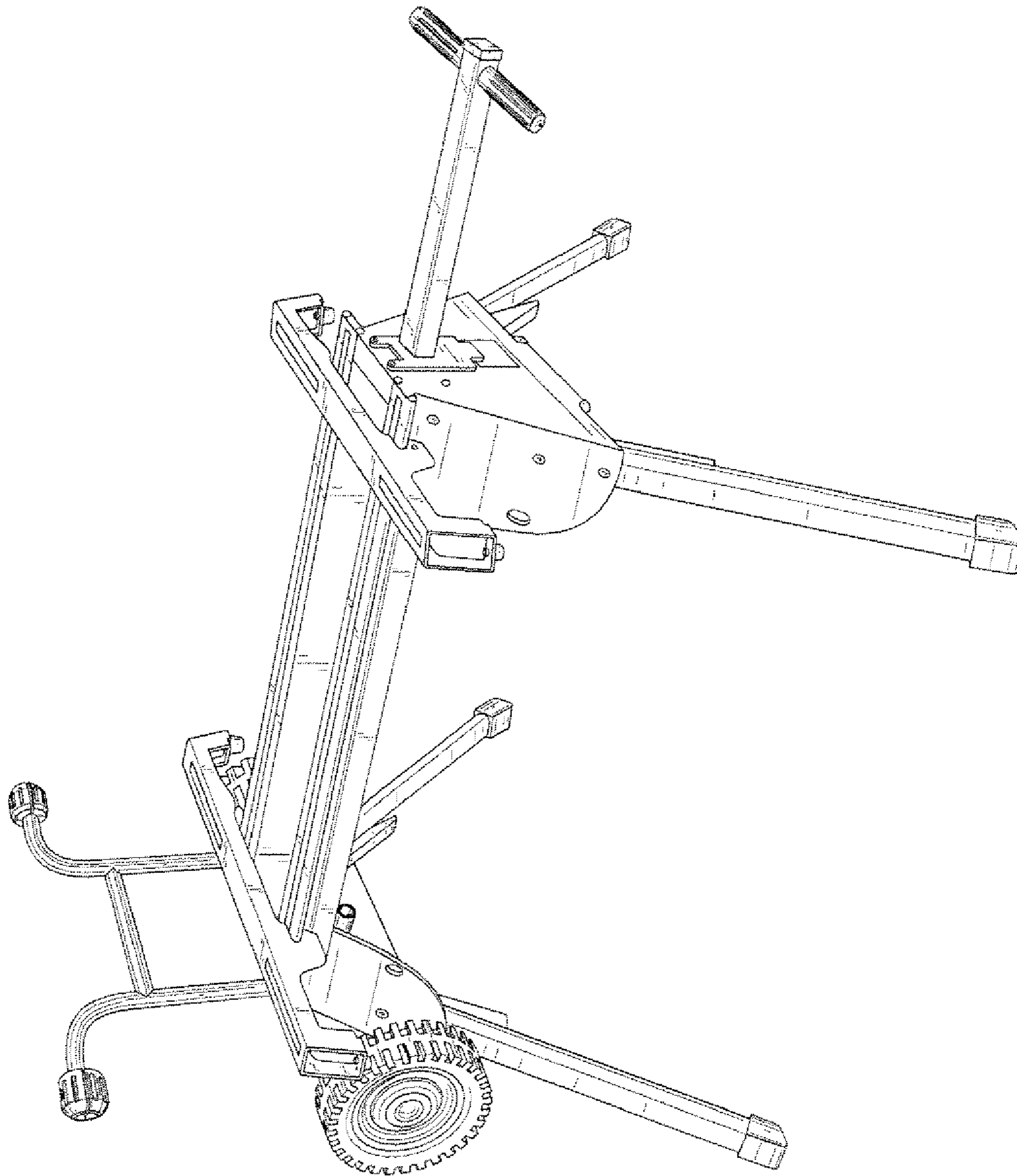


FIG. 1

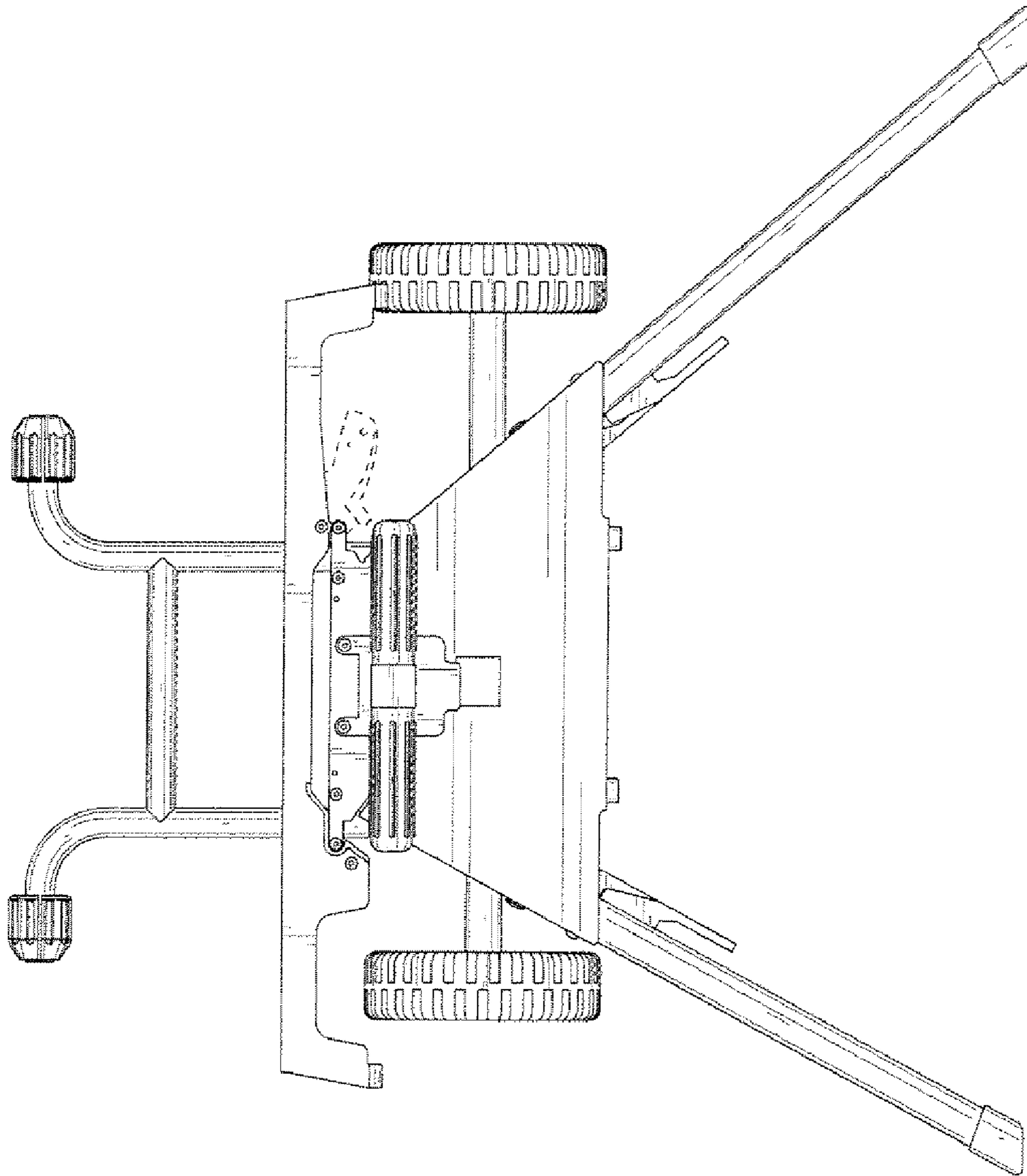


FIG. 2

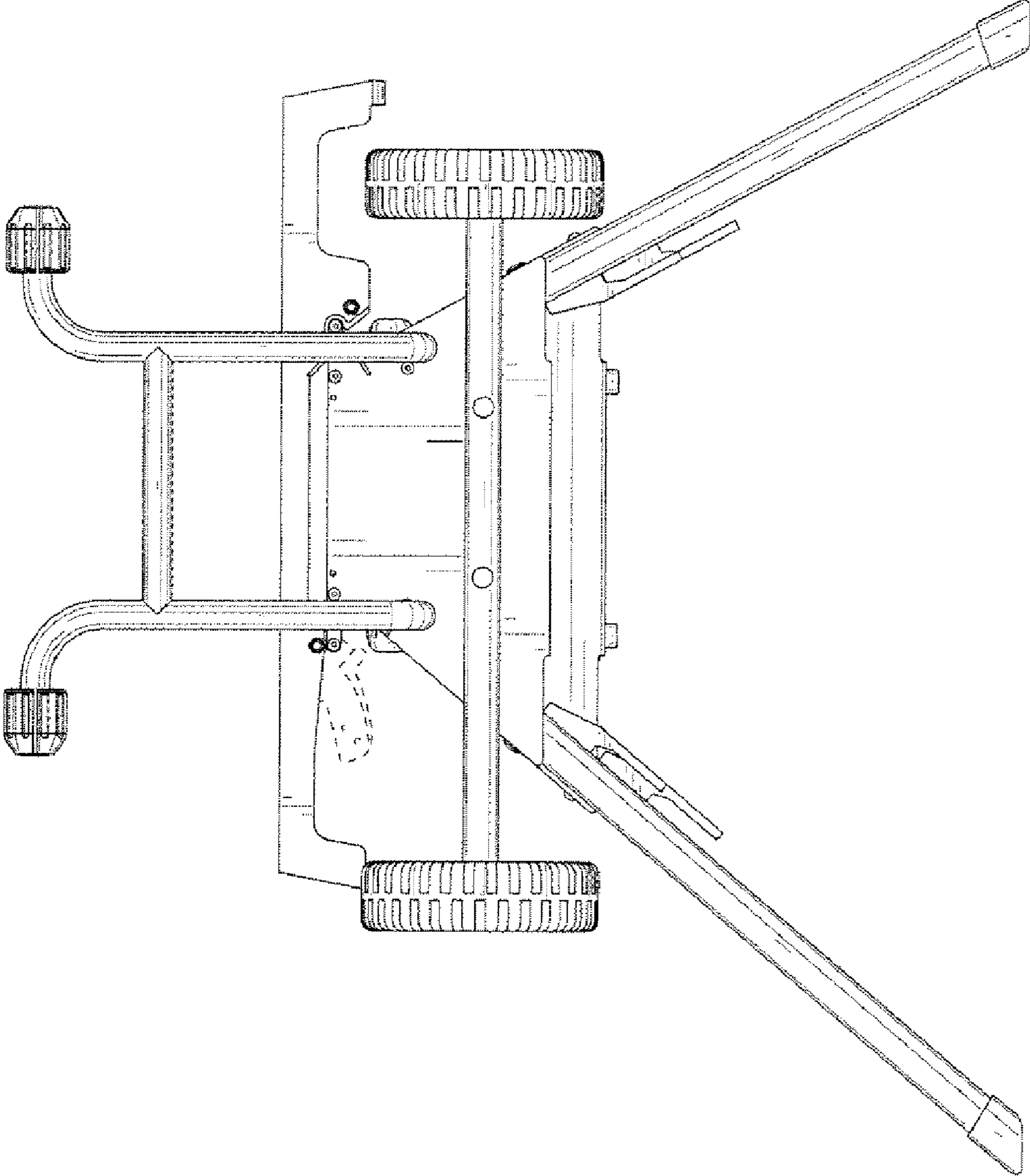


FIG. 3

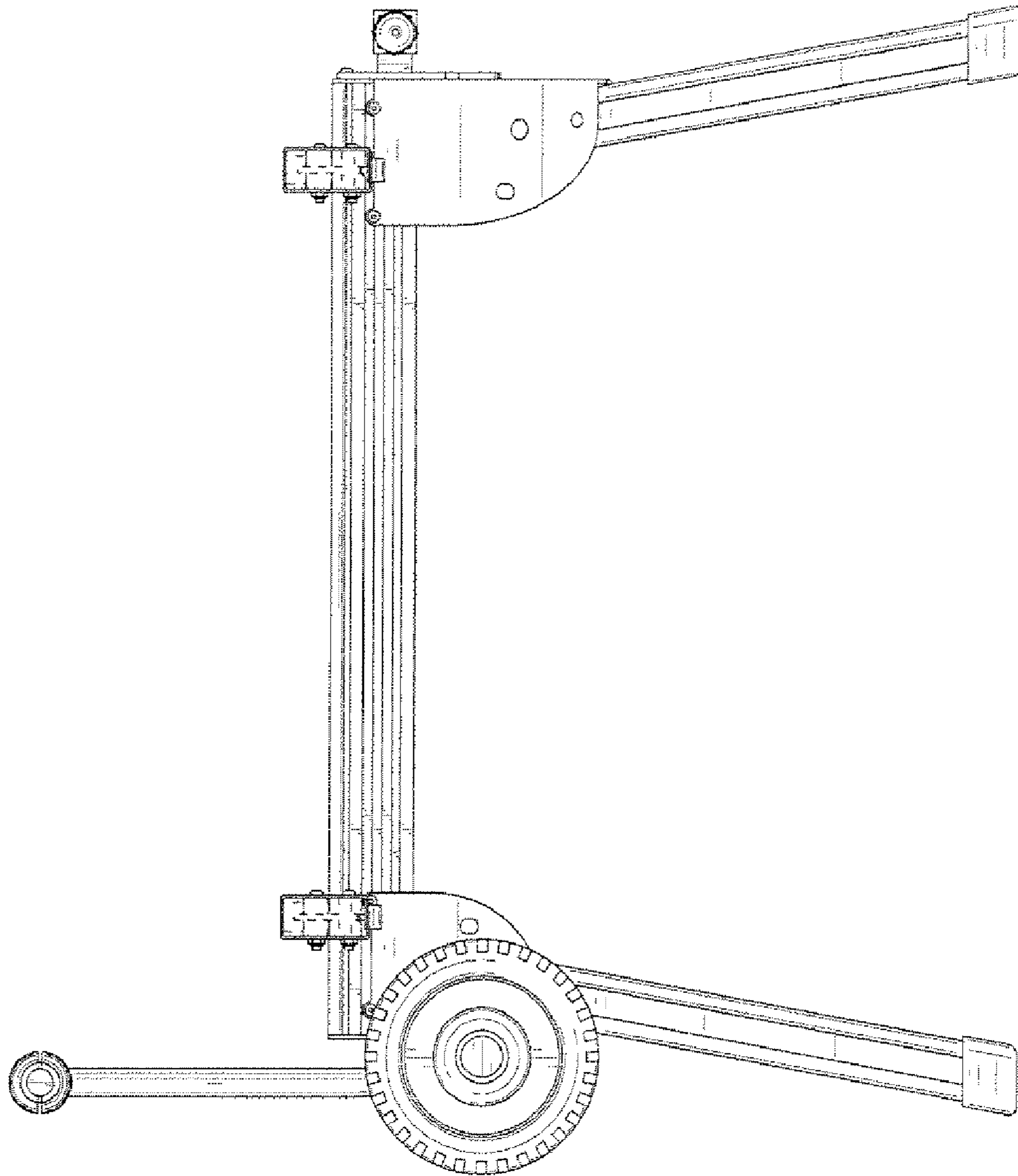


FIG. 4

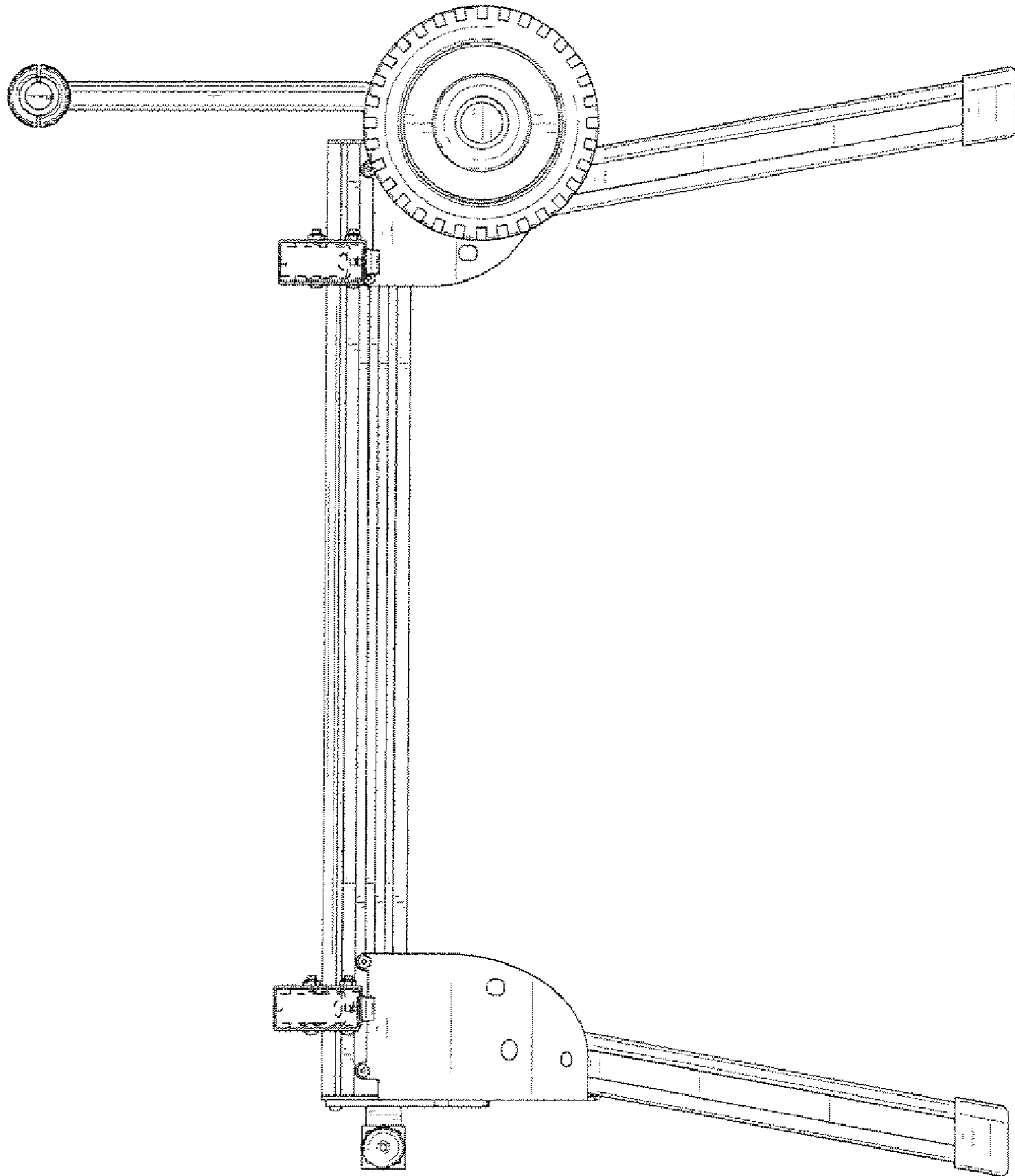


FIG. 5

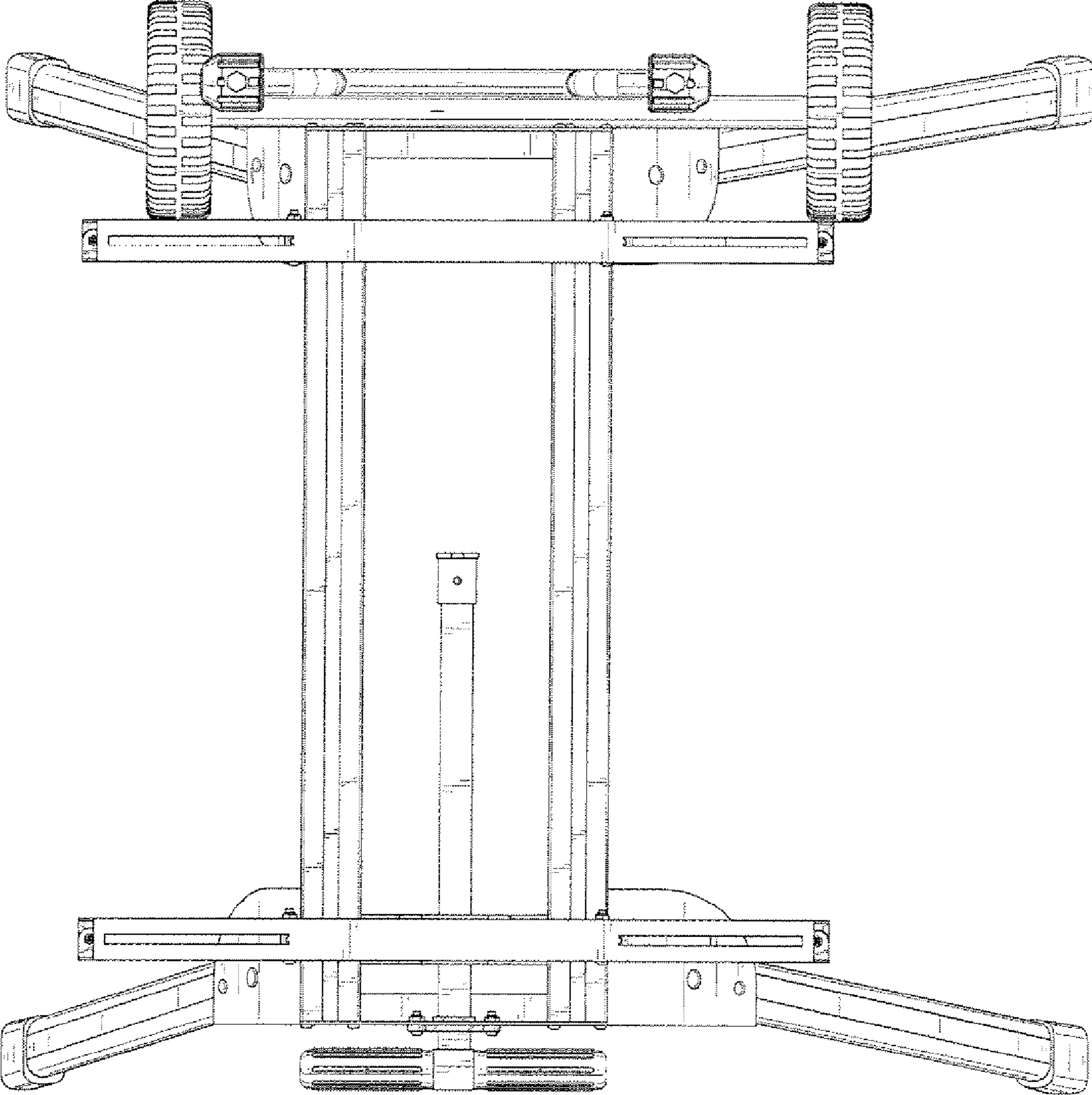


FIG. 6

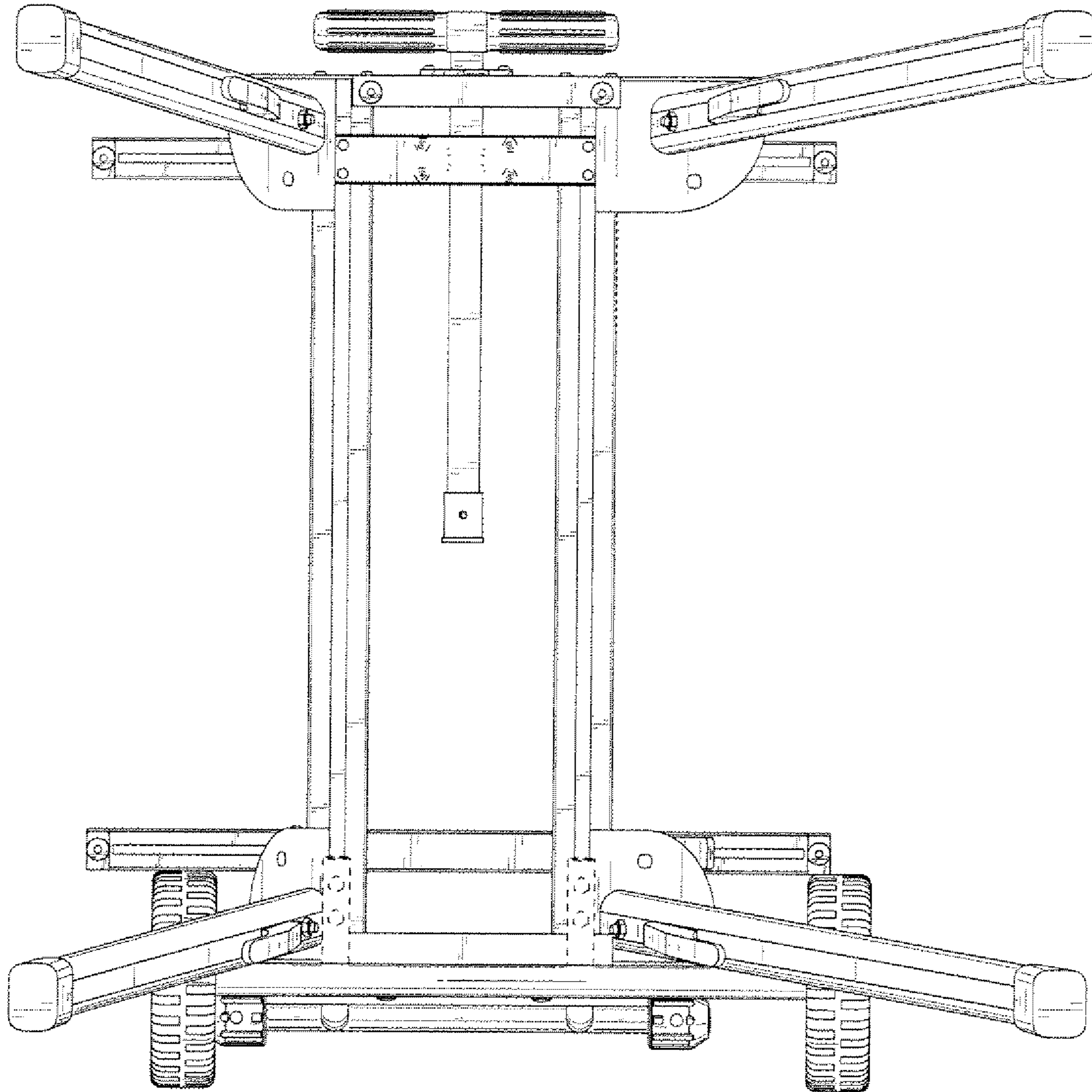


FIG. 7