

US00D614875S

(12) **United States Design Patent**  
**Johnson et al.**

(10) **Patent No.:** **US D614,875 S**  
(45) **Date of Patent:** **\*\* May 4, 2010**

(54) **HIGH CHAIR**

(75) Inventors: **Sean Johnson**, Todwick (GB); **Darren Williams**, Chesterfield (GB)

(73) Assignee: **Real Design & Marketing Limited**, Sheffield (GB)

(\*\*) Term: **14 Years**

(21) Appl. No.: **29/330,595**

(22) Filed: **Jan. 9, 2009**

(30) **Foreign Application Priority Data**

Jul. 11, 2008 (EM) ..... 0009688281-0001

(51) **LOC (9) Cl.** ..... **06-01**

(52) **U.S. Cl.** ..... **D6/339**

(58) **Field of Classification Search** ..... D6/333,  
D6/335, 339, 491, 500-502; D12/129; D21/412,  
D21/419; 280/30, 31; 5/94, 98.1, 99.1, 101,  
5/102, 105, 655; 297/183.1, 183.2, 183.3,  
297/183.4, 184.13, 184.15, 184.17, 250.1,  
297/255, 256.1, 256.15, 256.16; 24/200,  
24/211

See application file for complete search history.

(56) **References Cited**

**U.S. PATENT DOCUMENTS**

3,879,083 A \* 4/1975 Olsson ..... 297/1  
D248,516 S \* 7/1978 Johansson ..... D6/335

D357,128 S \* 4/1995 Watson et al. .... D6/335  
5,634,687 A \* 6/1997 Gamble ..... 297/338  
D409,007 S \* 5/1999 Osterweil-Glaz et al. .... D6/335  
D441,553 S \* 5/2001 Ware, Sr. .... D6/335  
6,634,712 B2 \* 10/2003 Gamble ..... 297/338  
D577,209 S \* 9/2008 Prent-de Jong et al. .... D6/333

**FOREIGN PATENT DOCUMENTS**

EM 000774252-0001 A1 9/2007  
WO WO2006/090170 A1 8/2006

\* cited by examiner

*Primary Examiner*—Sandra Snapp

(74) *Attorney, Agent, or Firm*—James E. Hudson, III; Crain, Caton & James P.C.

(57) **CLAIM**

The ornamental design for a high chair, as shown.

**DESCRIPTION**

FIG. 1 is a front perspective view of a high chair showing our new design;

FIG. 1 is a rear perspective view thereof;

FIG. 3 is a front elevation view thereof;

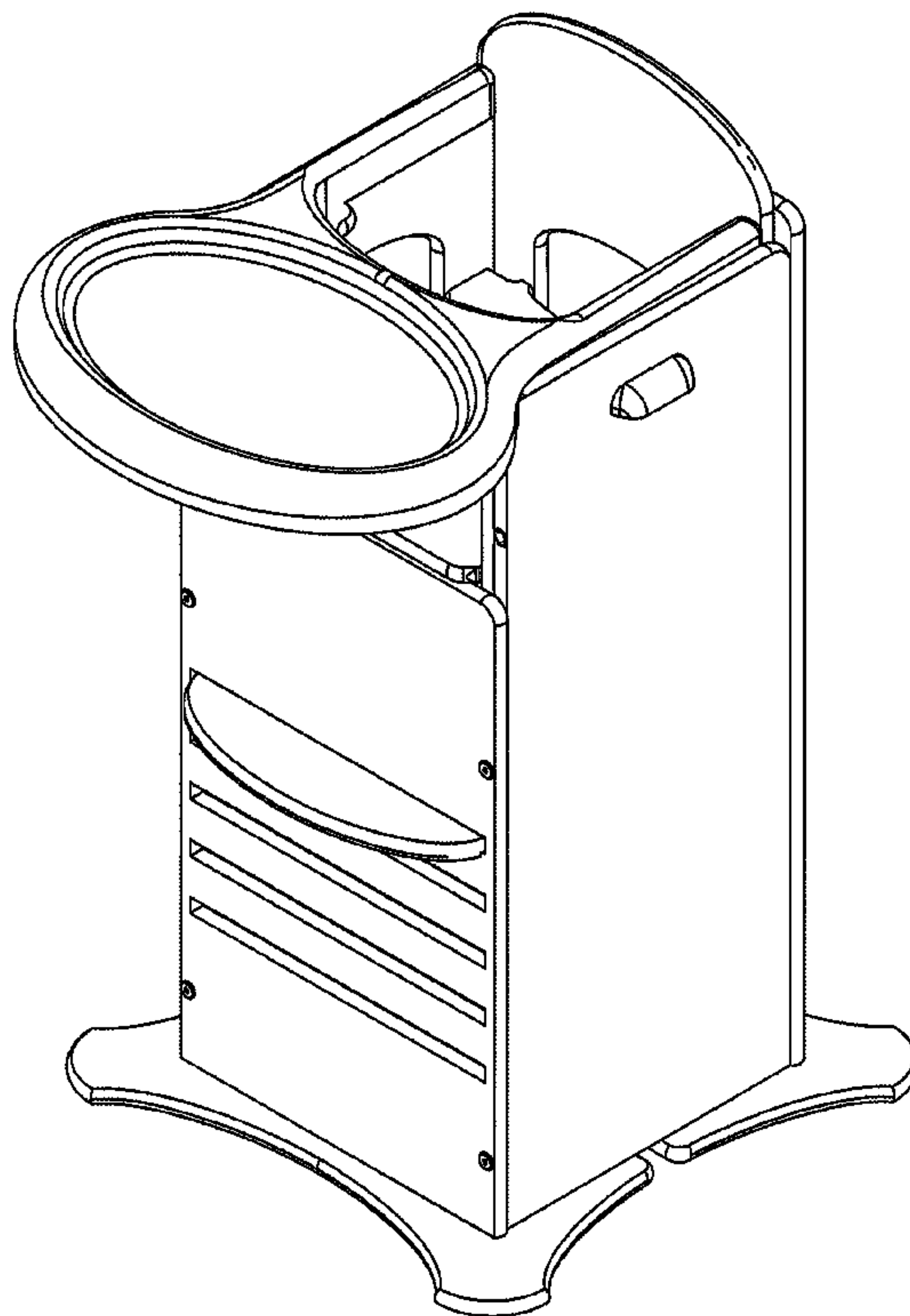
FIG. 4 is a rear elevation view thereof;

FIG. 5 is a right side elevation view thereof, the left side elevation view being a mirror image thereof;

FIG. 6 is a bottom plan view thereof; and,

FIG. 7 is a top plan view thereof.

**1 Claim, 7 Drawing Sheets**



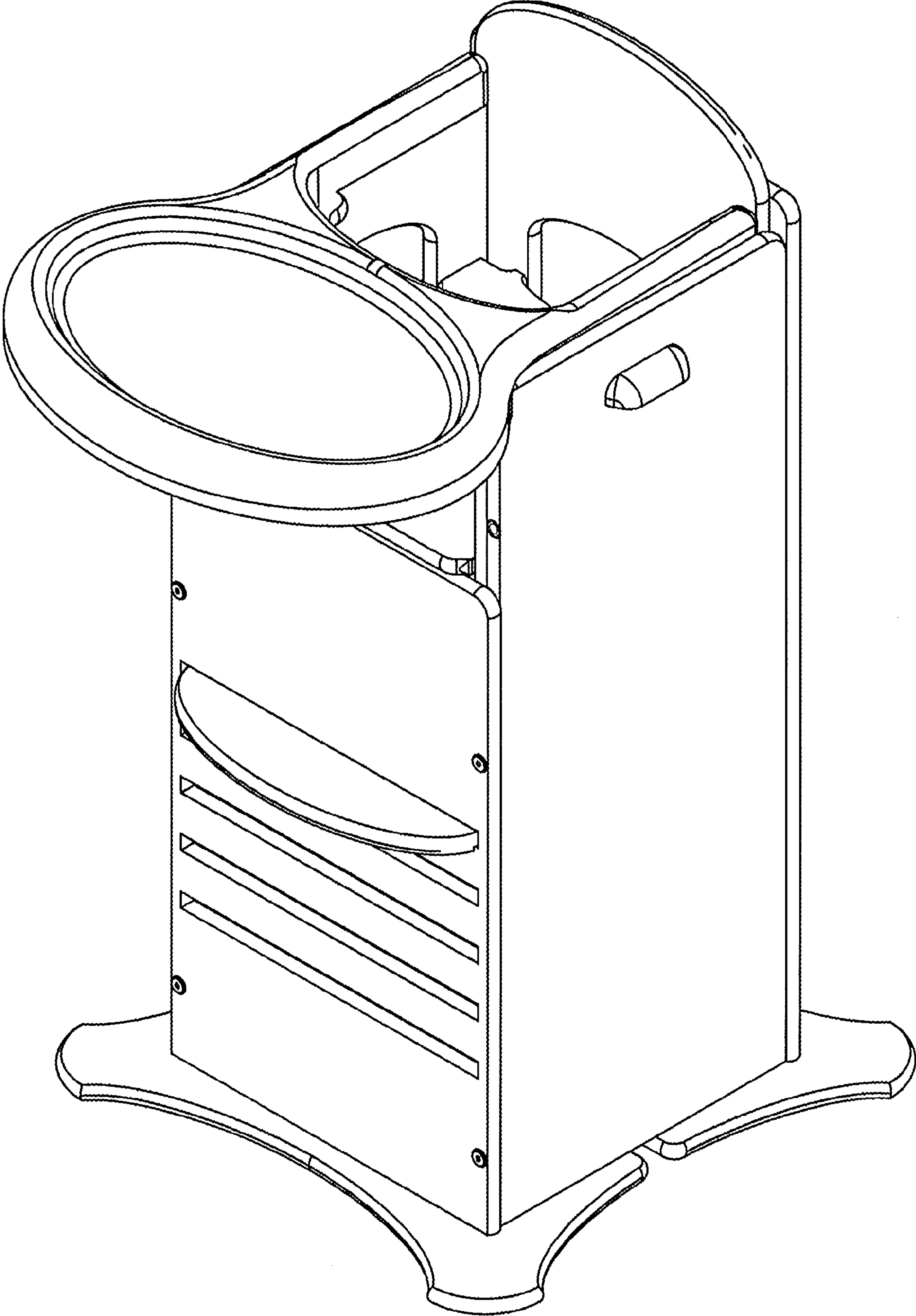


FIG. 1

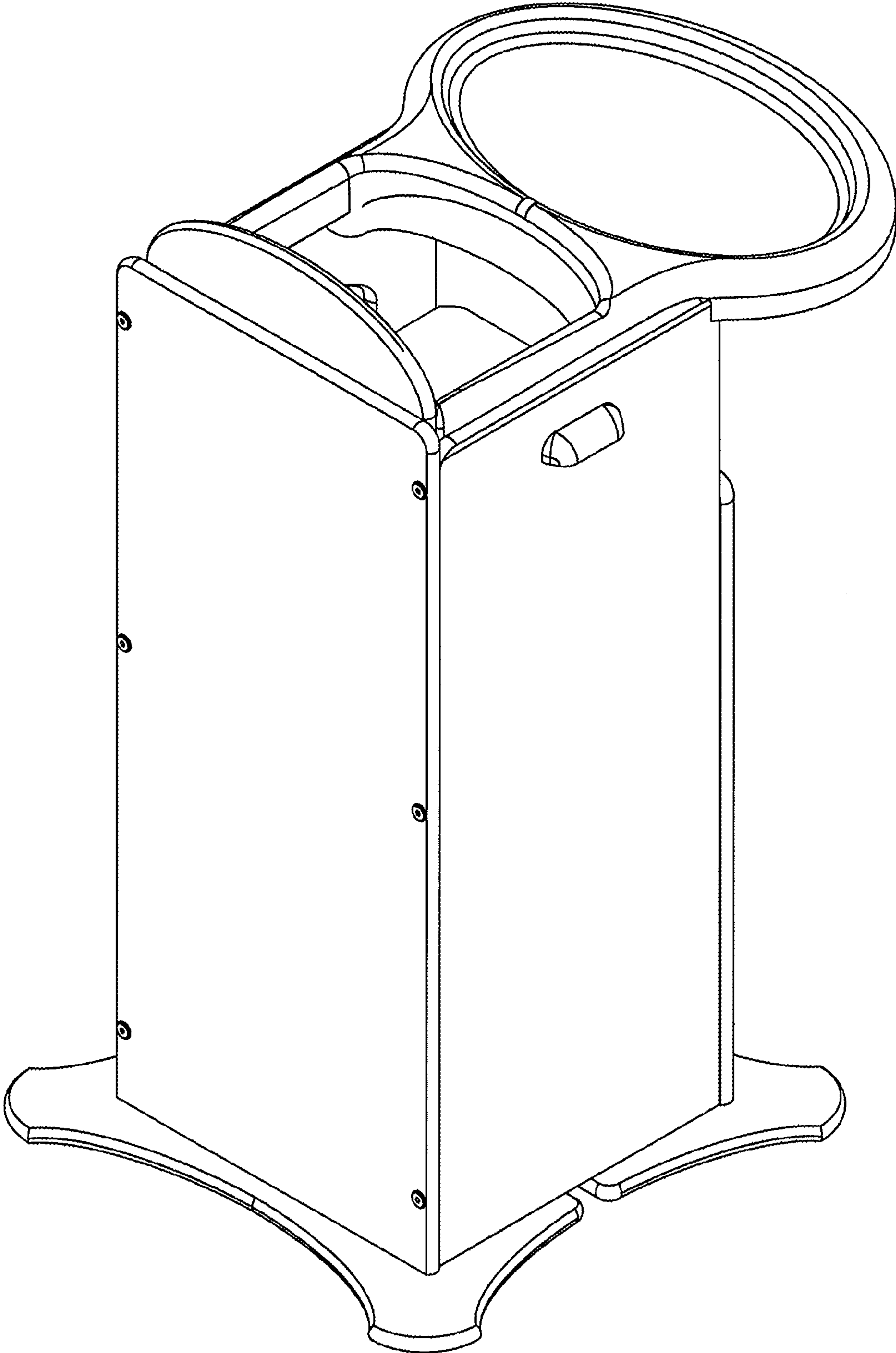


FIG. 2

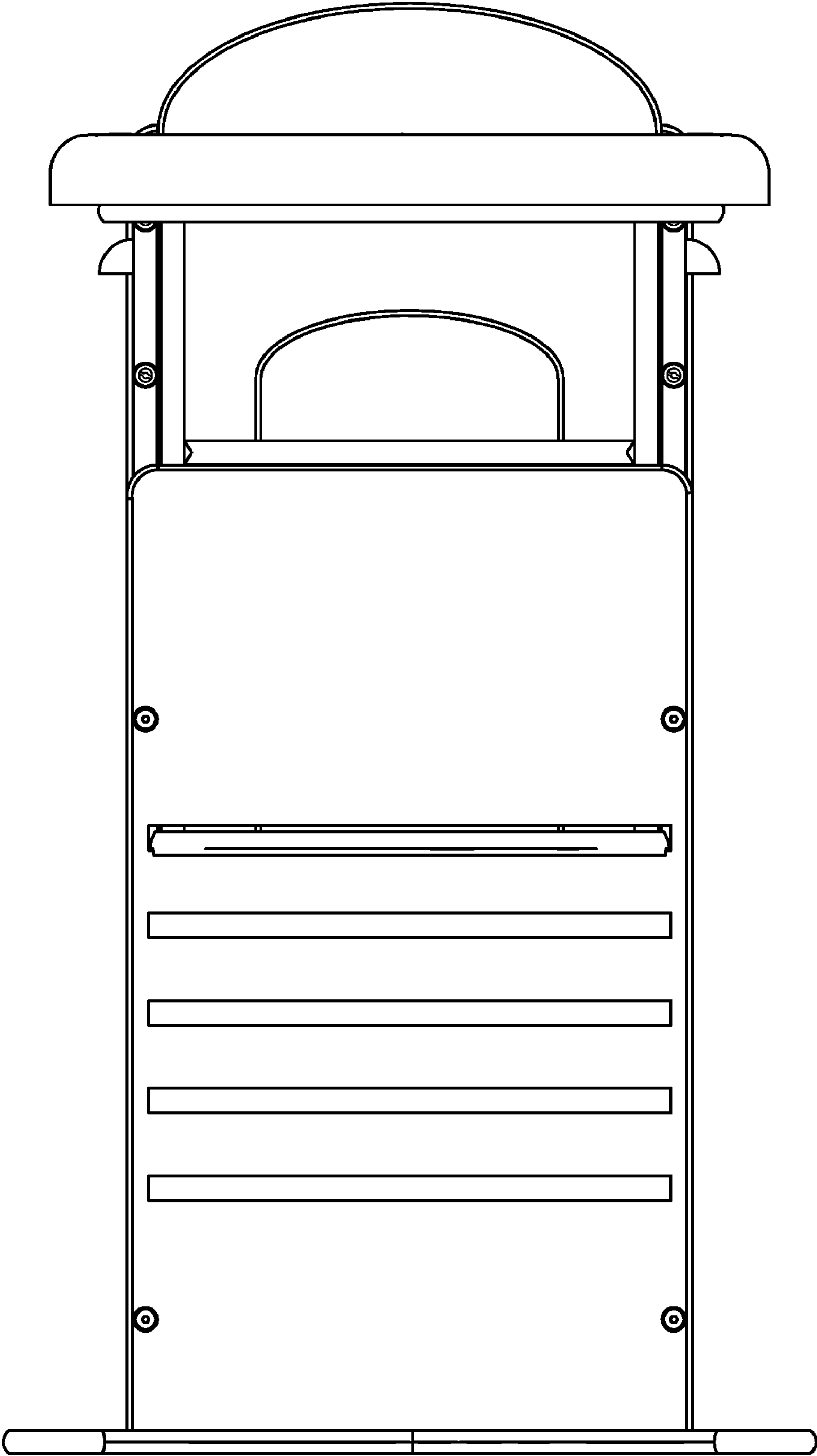
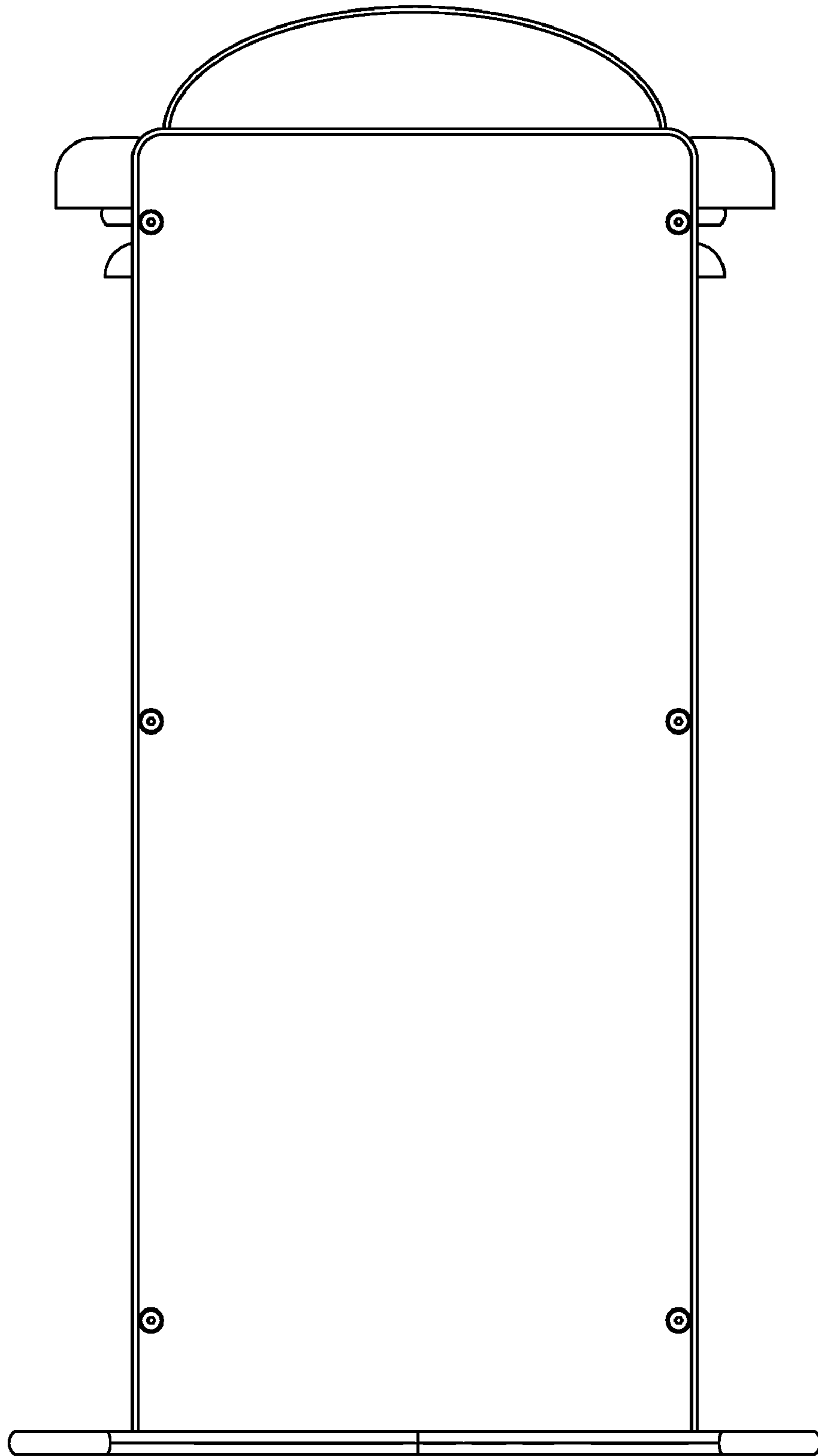


FIG. 3



**FIG. 4**

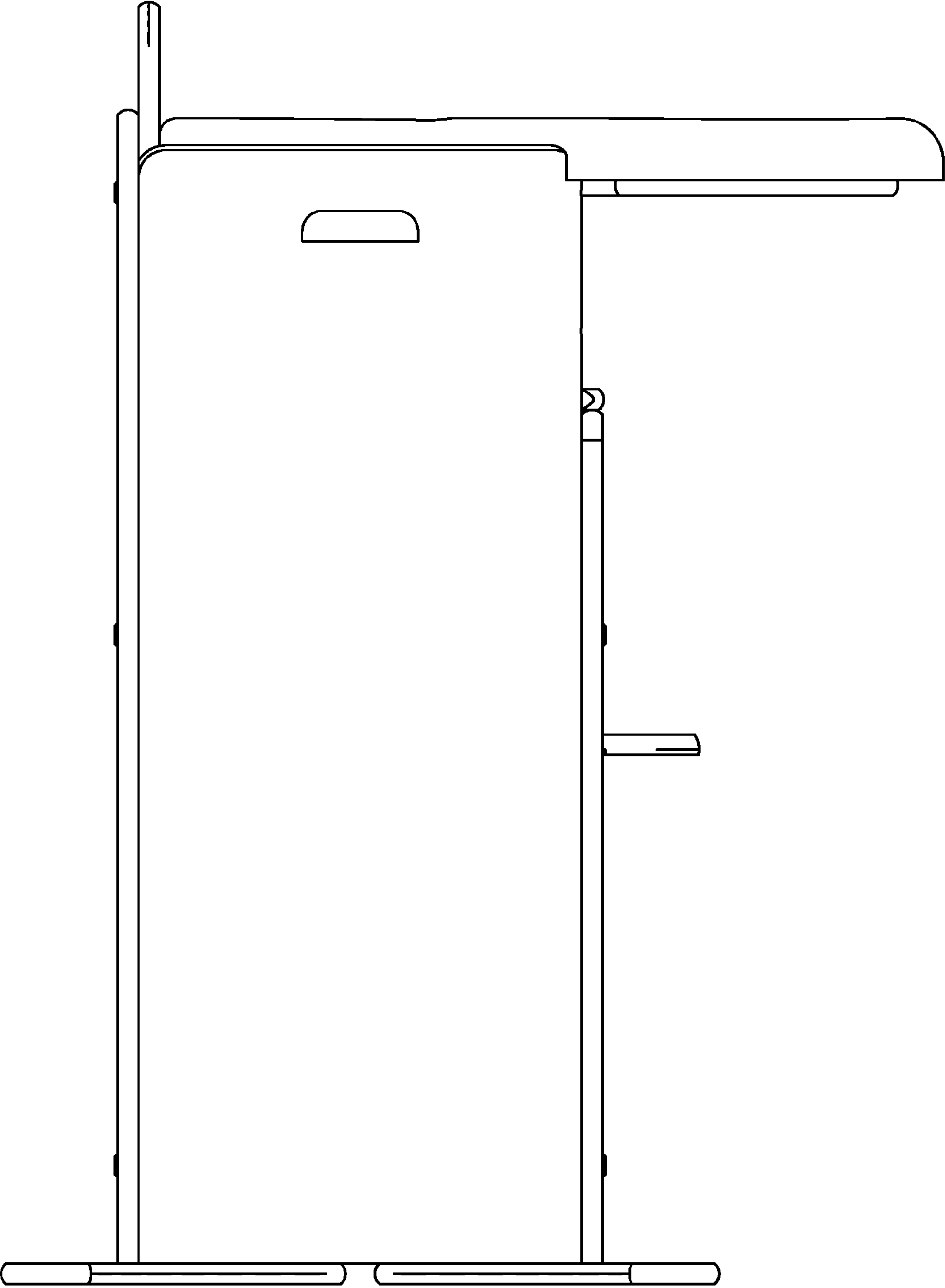
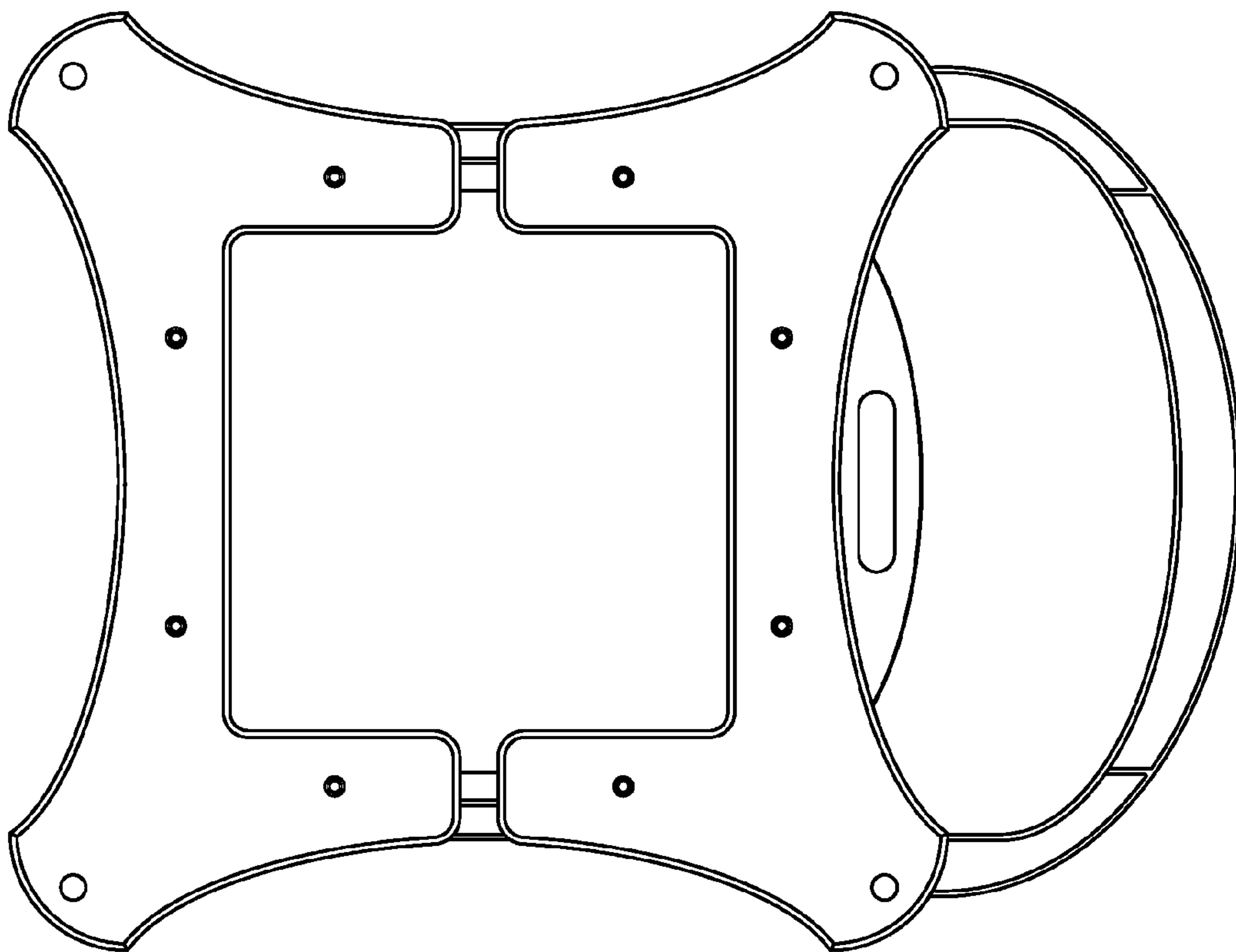
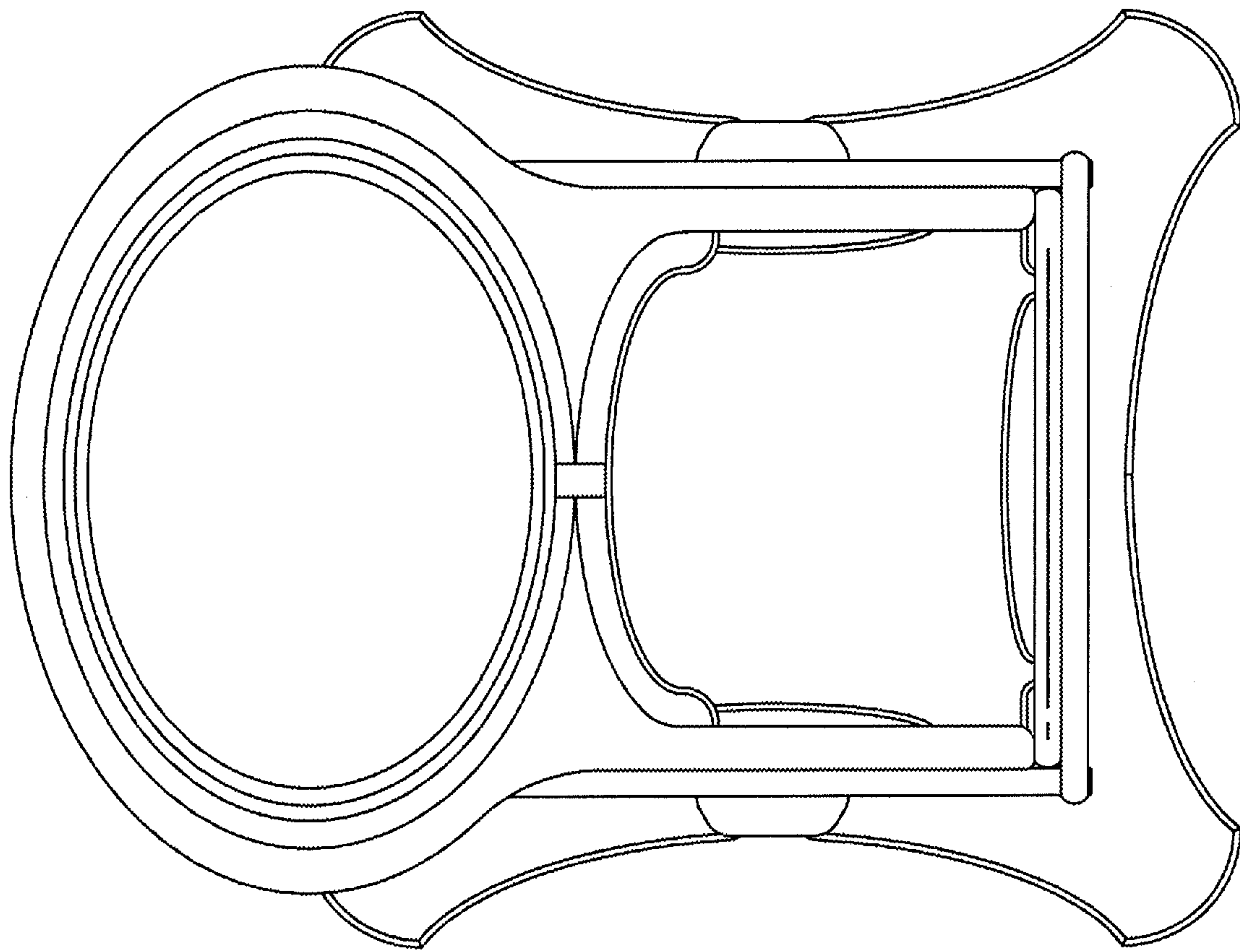


FIG. 5



**FIG. 6**





**FIG. 7**