



US00D614872S

(12) **United States Design Patent**  
**Lee**

(10) **Patent No.:** **US D614,872 S**  
(45) **Date of Patent:** **\*\* May 4, 2010**

(54) **SUN LOUNGER**

(76) Inventor: **Richard Lee**, The Gardner's Cottage,  
Tithe Hill Churchstow, Kingsbridge,  
Devon England (GB)

(\*\*) Term: **14 Years**

(21) Appl. No.: **29/332,339**

(22) Filed: **Feb. 13, 2009**

(30) **Foreign Application Priority Data**

Aug. 14, 2008 (EM) ..... 000989108-0001

(51) **LOC (9) Cl.** ..... **06-01**

(52) **U.S. Cl.** ..... **D6/335**

(58) **Field of Classification Search** ..... D6/330,  
D6/335-338, 340, 349-355, 358, 359, 364,  
D6/366, 376, 491, 495, 500-502; 297/16.1,  
297/39, 46, 135, 140, 156, 158.3, 158.4,  
297/175, 177, 187, 195.1, 195.11, 211, 245,  
297/423.1, 423.16, 445.1, 461, 462

See application file for complete search history.

(56) **References Cited**

**U.S. PATENT DOCUMENTS**

D116,558 S \* 9/1939 Flicks ..... D6/361  
2,593,319 A \* 4/1952 Levitin et al. .... 5/657  
D167,514 S \* 8/1952 Hicks ..... D6/335  
D220,952 S \* 6/1971 Petersen ..... D6/360  
4,300,798 A \* 11/1981 Musgrove et al. .... 297/184.15  
4,641,883 A \* 2/1987 Kato ..... 297/184.15  
4,687,249 A \* 8/1987 Mills ..... 297/184.15  
5,139,308 A \* 8/1992 Ziman ..... 297/188.06  
D330,639 S \* 11/1992 Munro et al. .... D6/335  
D337,445 S \* 7/1993 Sando ..... D6/368  
D343,525 S \* 1/1994 Wright ..... D6/368  
D360,535 S \* 7/1995 Sjoberg ..... D6/335  
D365,451 S \* 12/1995 Shahid ..... D6/336  
D373,475 S \* 9/1996 Sullivan ..... D6/335

5,582,458 A \* 12/1996 Wildt ..... 297/184.15  
D377,574 S \* 1/1997 Makes ..... D6/601  
6,036,262 A \* 3/2000 Shahid ..... 297/188.04  
D430,747 S \* 9/2000 Hill ..... D6/368  
6,662,981 B2 \* 12/2003 McUmbur ..... 224/155  
D490,251 S \* 5/2004 Lin ..... D6/336  
7,048,333 B2 \* 5/2006 Martinez ..... 297/184.11  
7,118,172 B1 \* 10/2006 Pattison-Sheets ..... 297/129  
D548,987 S \* 8/2007 McNae ..... D6/344  
D558,470 S \* 1/2008 Williams et al. .... D6/335  
D571,115 S \* 6/2008 Cohen ..... D6/368  
D591,065 S \* 4/2009 Pedemonte ..... D6/335  
D591,962 S \* 5/2009 Medlock ..... D6/335  
7,562,930 B1 \* 7/2009 Rondeau ..... 297/184.16  
7,566,095 B2 \* 7/2009 Reeb et al. .... 297/184.15

\* cited by examiner

*Primary Examiner*—Sandra Snapp

(74) *Attorney, Agent, or Firm*—Fleit Gibbons Gutman  
Bongini & Bianco, P.L.; Martin Fleit; Paul D. Bianco

(57) **CLAIM**

I claim the ornamental design for the “sun lounger,” as shown  
and described.

**DESCRIPTION**

FIG. 1 is a front perspective view of the sun lounger of the  
present invention;

FIG. 2 is a view from a first side;

FIG. 3 is a front view thereof;

FIG. 4 is a rear view thereof;

FIG. 5 is a top plan view thereof;

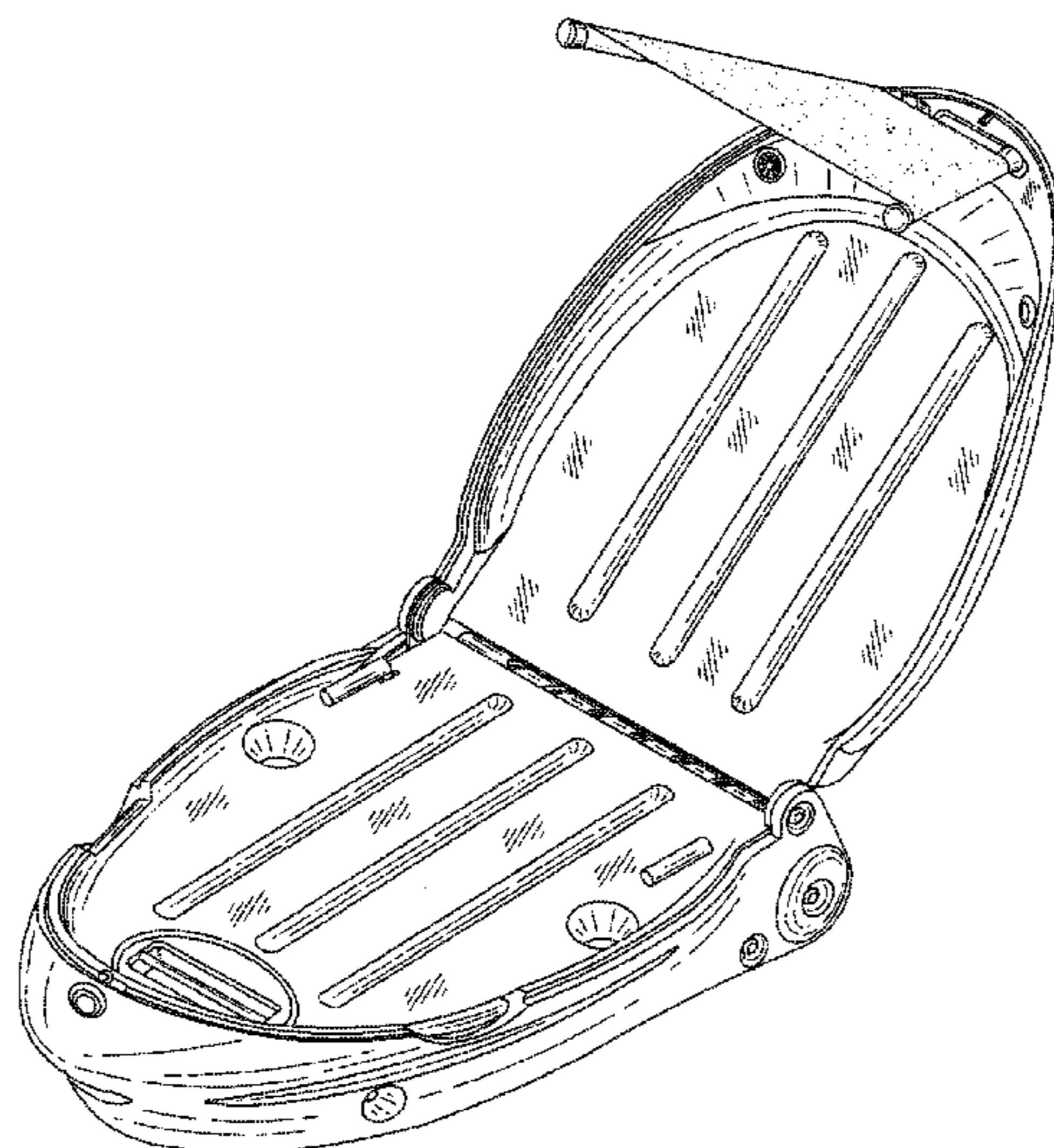
FIG. 6 is a bottom plan view thereof;

FIG. 7 is a rear perspective view thereof;

FIG. 8 is a view from a second side; and,

FIG. 9 is a front perspective view of the sun lounger in a  
closed position.

**1 Claim, 9 Drawing Sheets**



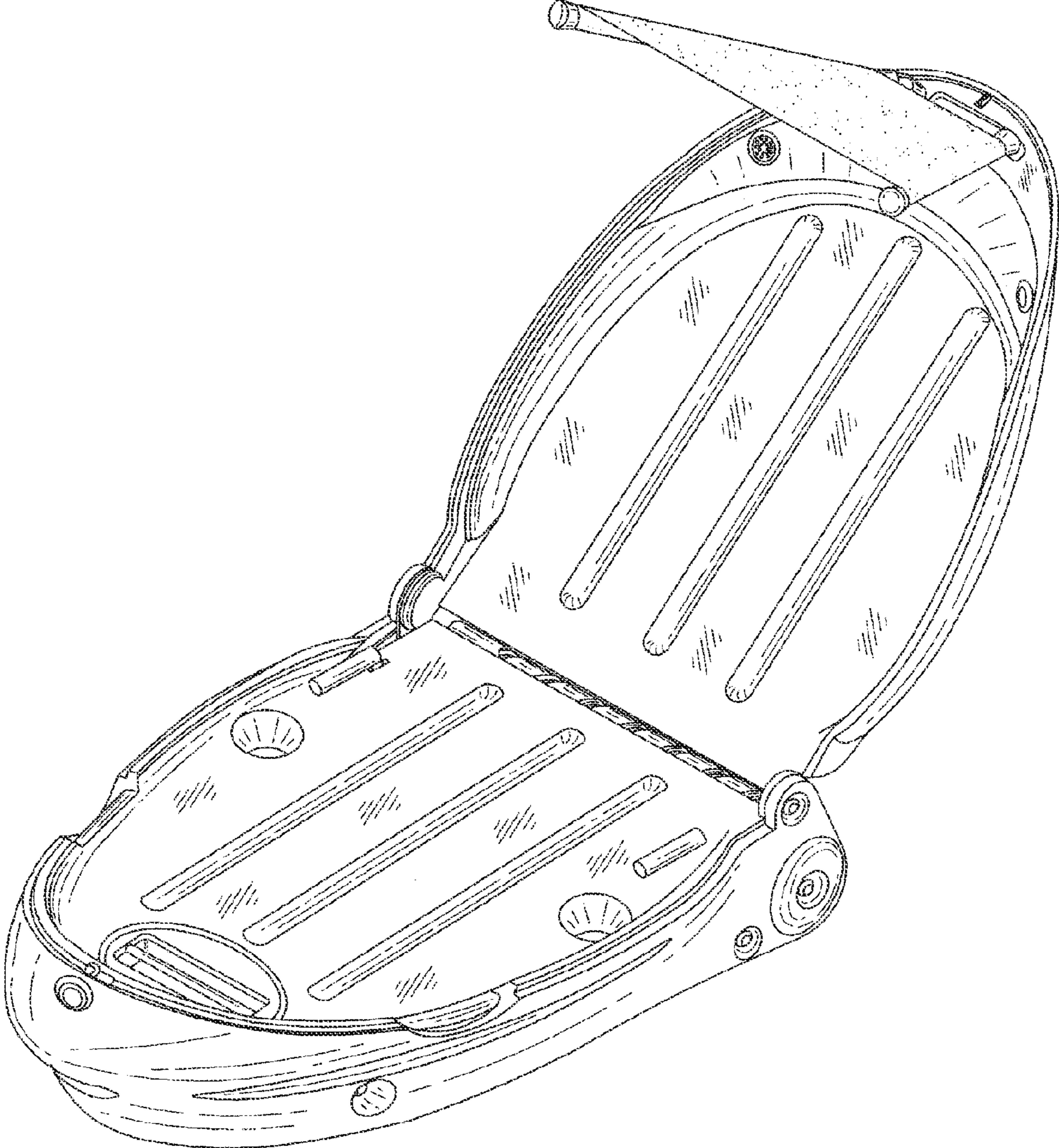


Figure 1

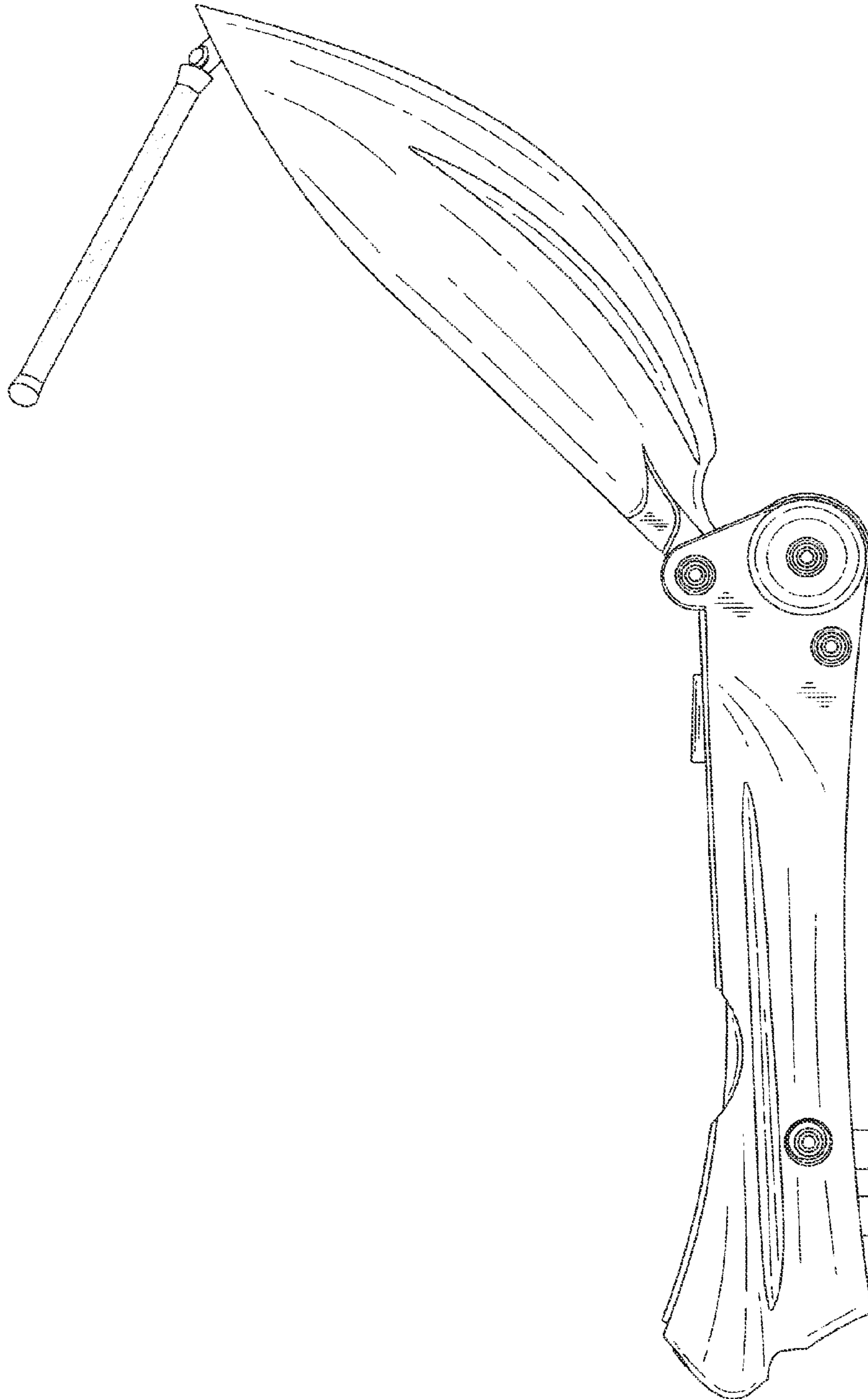


Figure 2



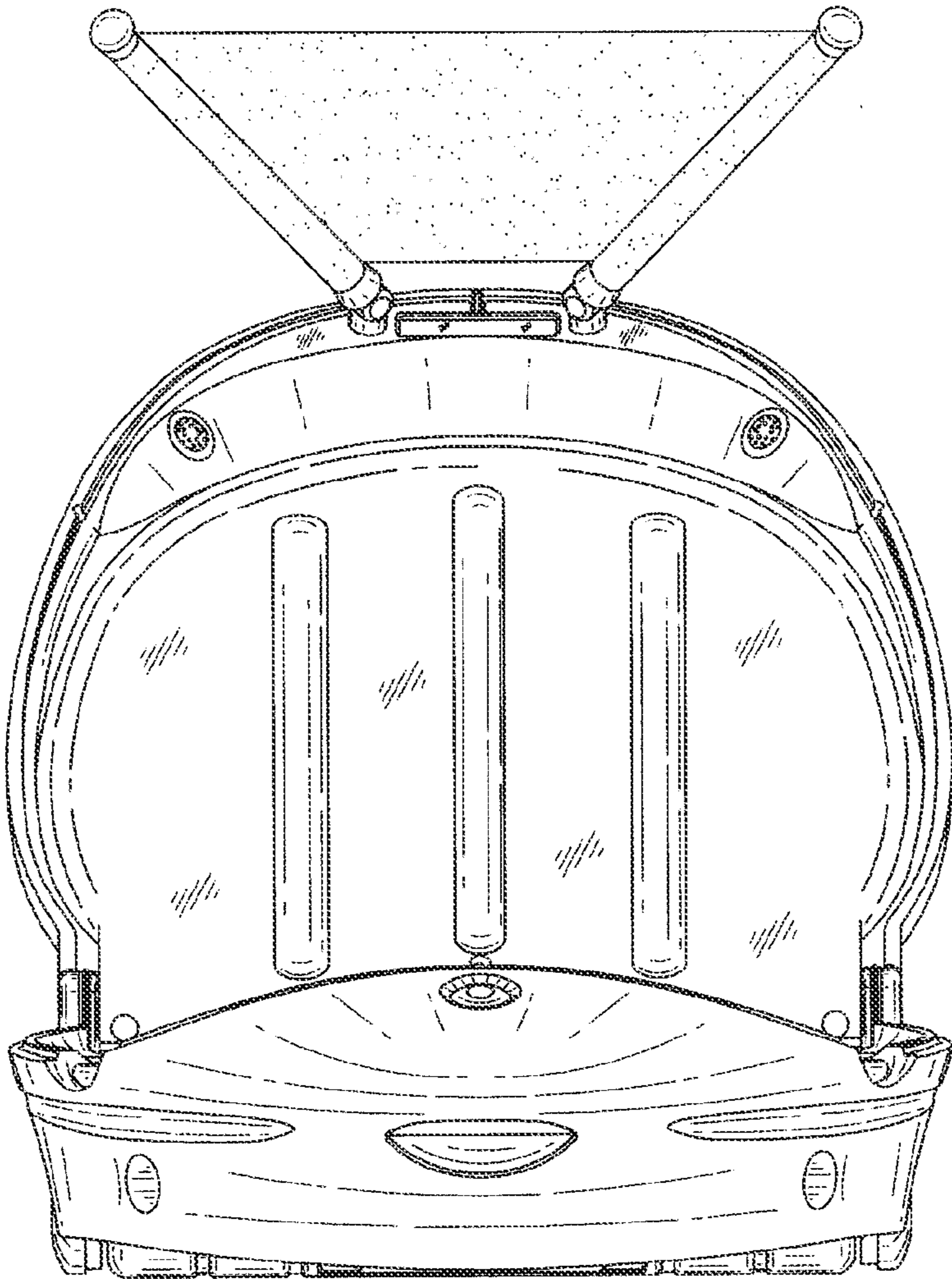


Figure 3

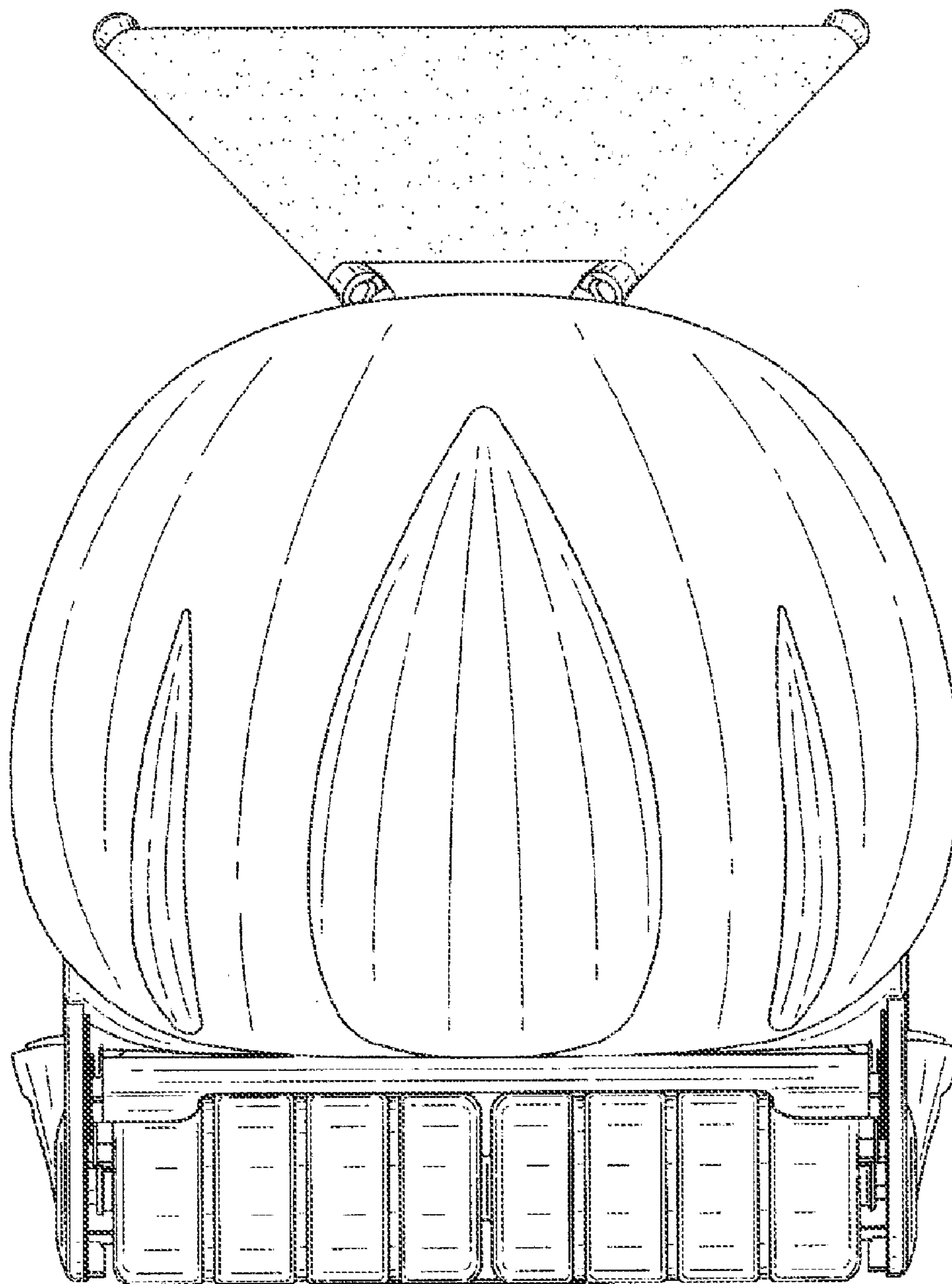


Figure 4

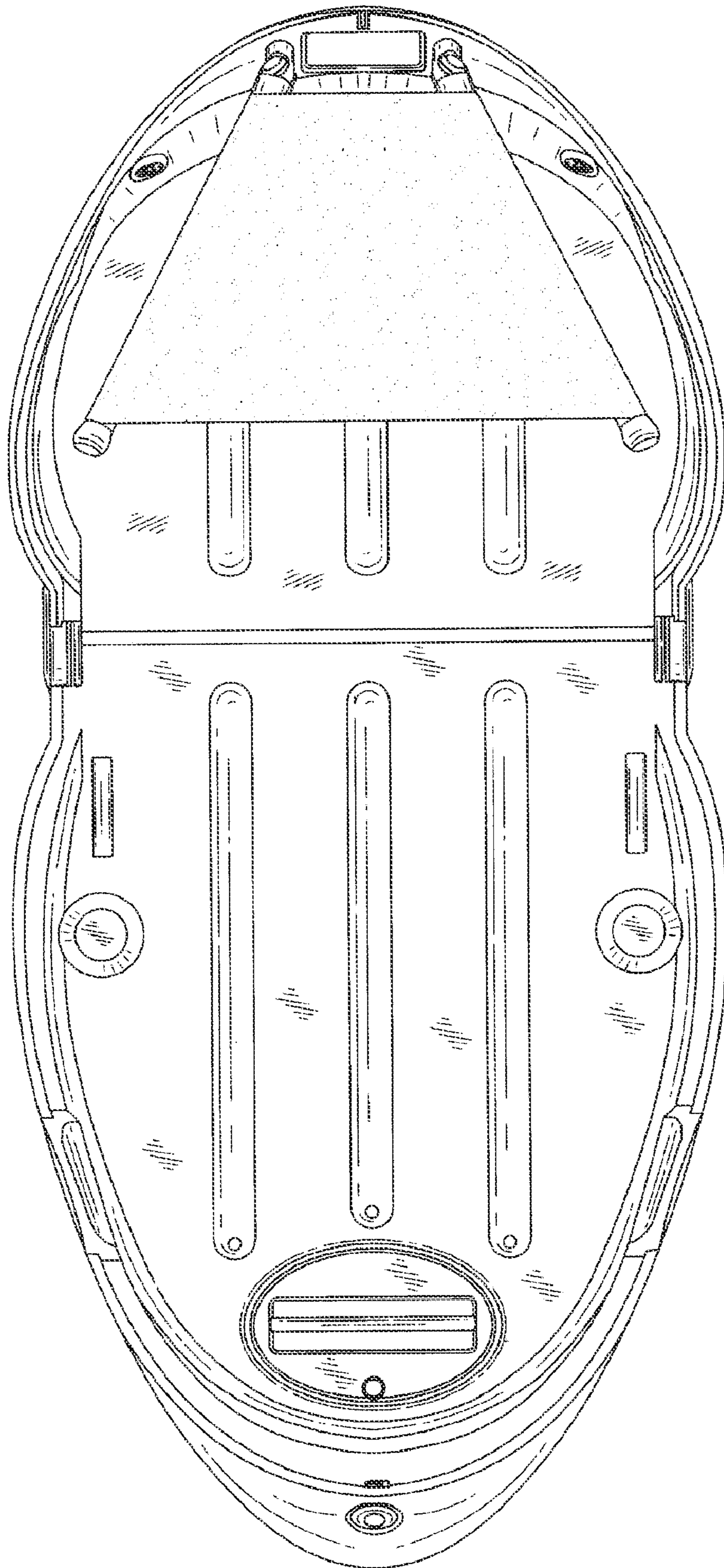


Figure 5



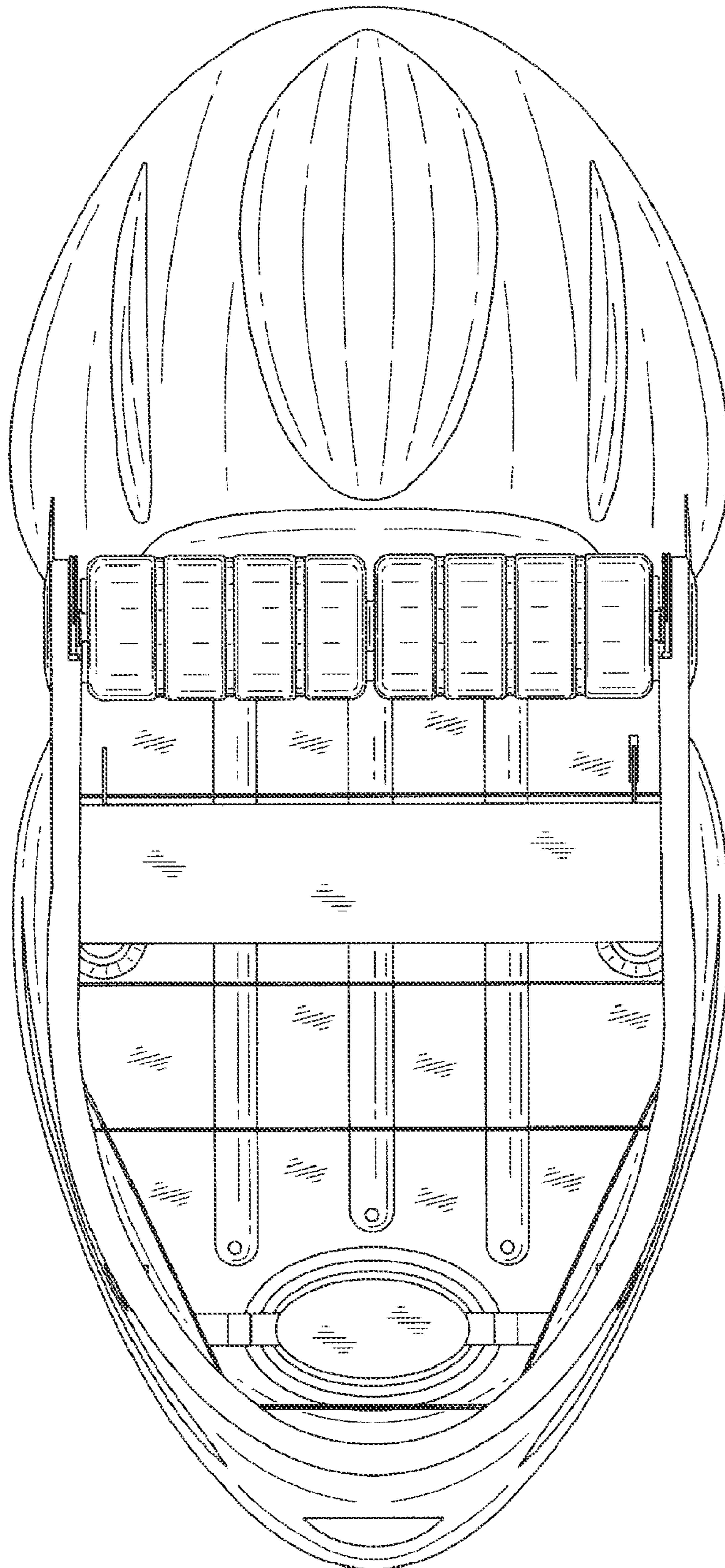


Figure 6

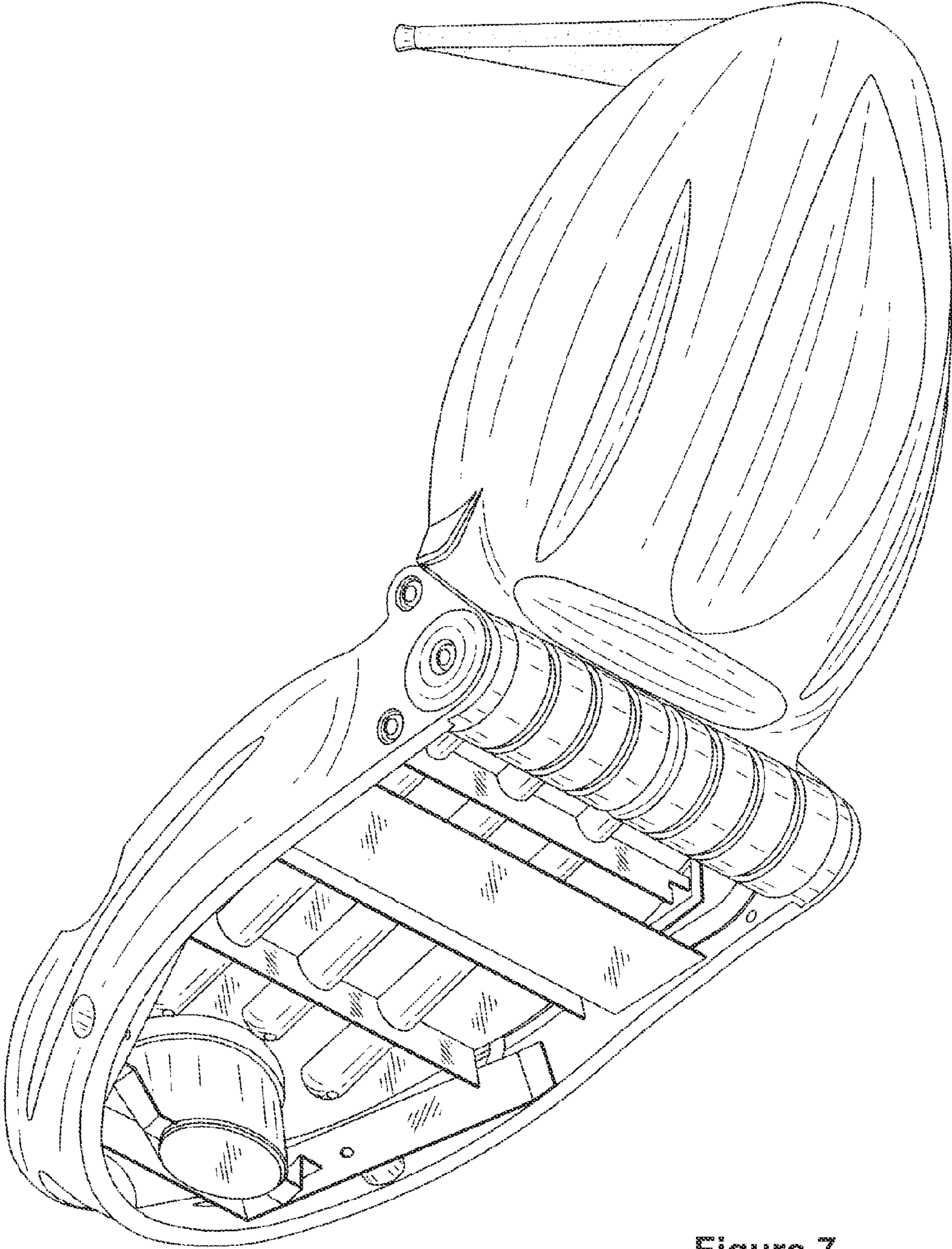


Figure 7



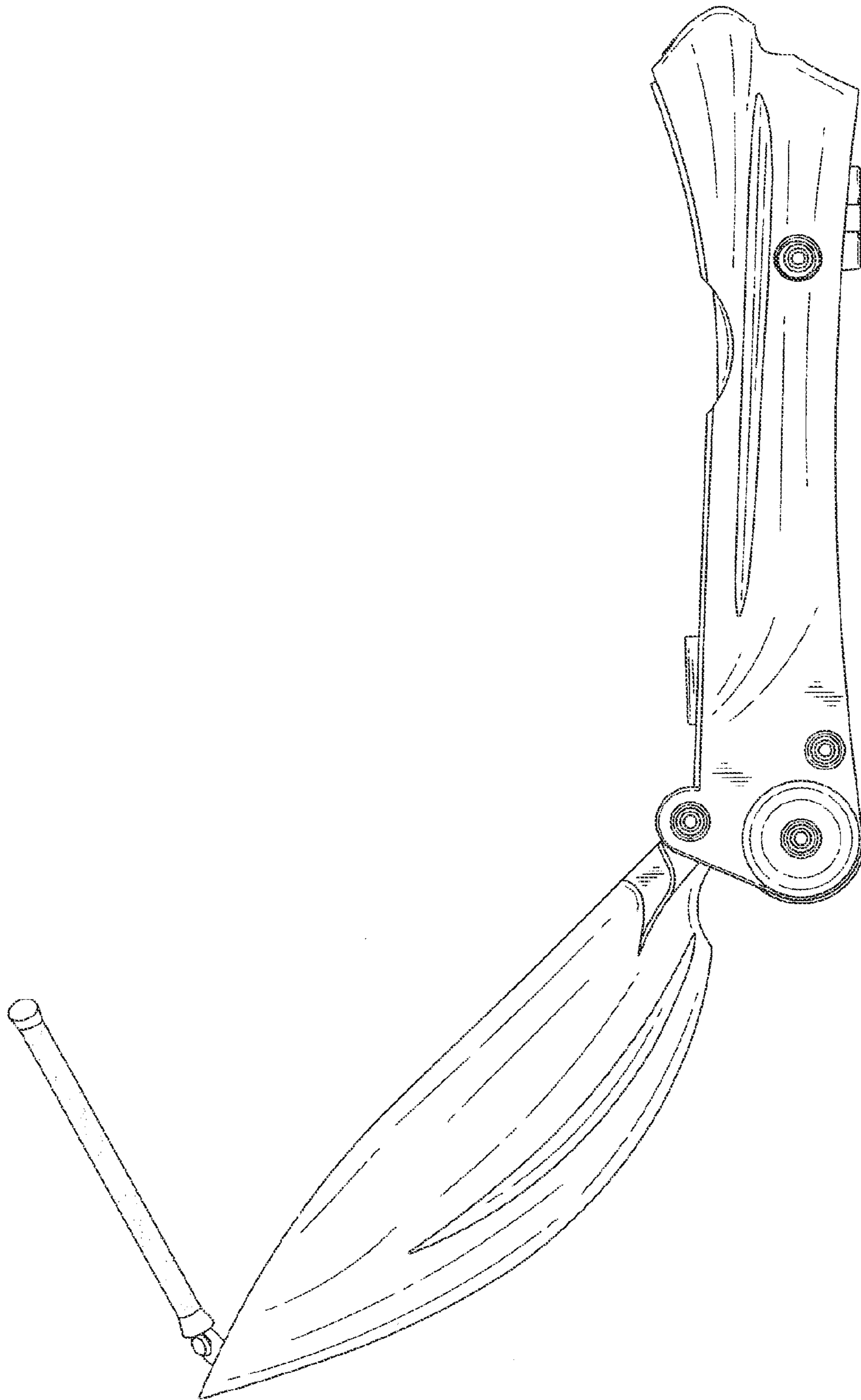


Figure 8

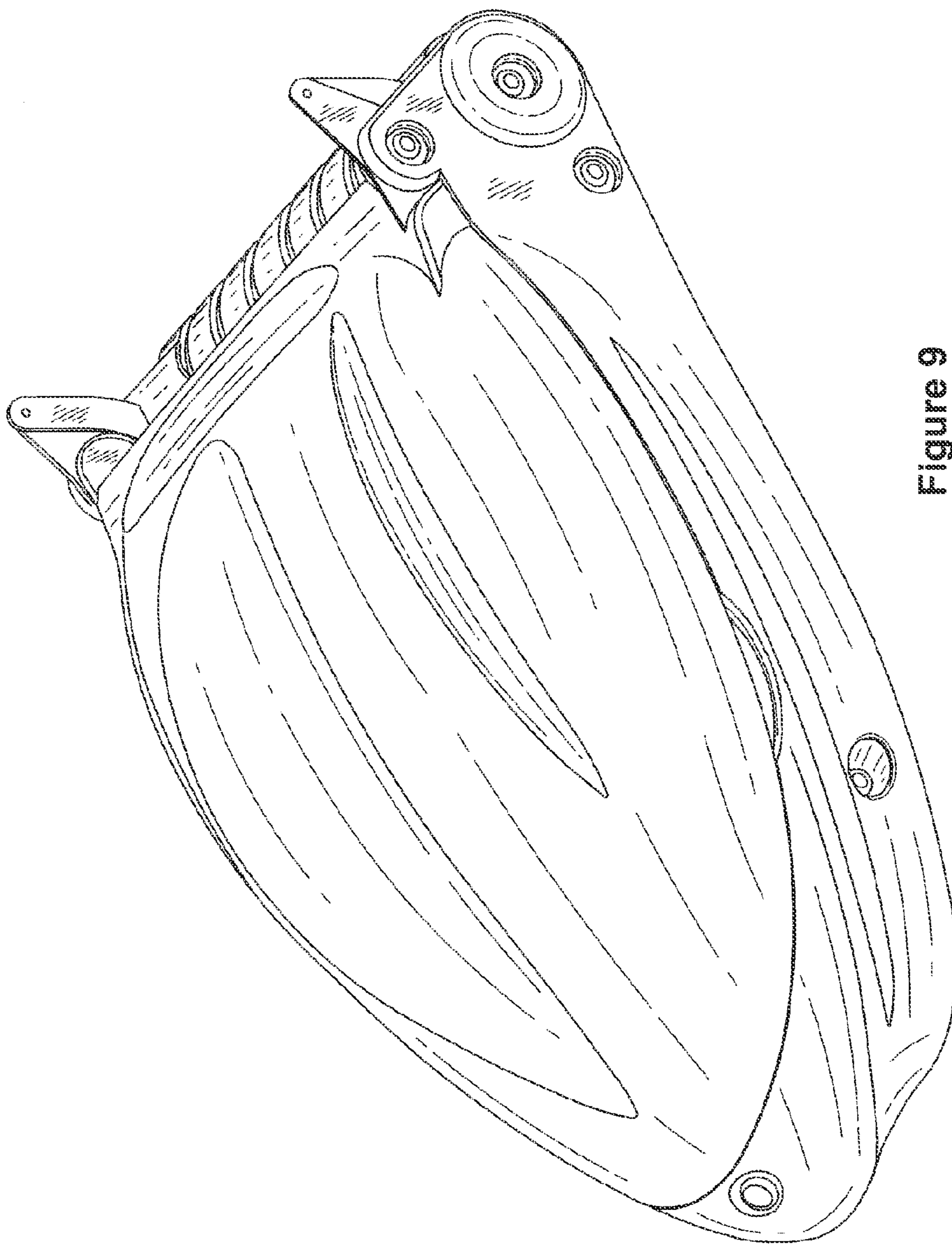


Figure 9