



US00D614871S

(12) **United States Design Patent**
Tang et al.

(10) **Patent No.:** **US D614,871 S**

(45) **Date of Patent:** **** May 4, 2010**

(54) **DIGITAL PHOTO FRAME**

(75) Inventors: **Chiang-Kuo Tang**, Taipei Hsien (TW);
Qian-Kun Han, Shenzhen (CN)

(73) Assignee: **Hon Hai Precision Industry Co., Ltd.**,
Tu-Cheng, Taipei Hsien (TW)

(**) Term: **14 Years**

(21) Appl. No.: **29/343,438**

(22) Filed: **Sep. 14, 2009**

(30) **Foreign Application Priority Data**

Aug. 7, 2009 (CN) 2009 3 0311348

(51) **LOC (9) Cl.** **06-07**

(52) **U.S. Cl.** **D6/308; D14/371; D6/311**

(58) **Field of Classification Search** D6/300-314;
40/700, 768, 717, 714, 721, 735; D14/371,
D14/372, 448, 449, 450, 374, 381, 382, 336,
D14/337, 250, 146, 341, 496, 331, 130, 126;
D20/10; D10/24, 75, 2

See application file for complete search history.

(56) **References Cited**

U.S. PATENT DOCUMENTS

D513,001 S * 12/2005 Jiang et al. D14/371
D558,460 S * 1/2008 Yu et al. D6/308
D564,990 S * 3/2008 Ueno D14/126

D570,610 S * 6/2008 Chuang D6/300
D585,399 S * 1/2009 Hwang D14/130
D587,709 S * 3/2009 Niitsu et al. D14/371
D592,625 S * 5/2009 Hwang D14/130
D601,814 S * 10/2009 Lissola D6/308
D602,259 S * 10/2009 Finnegan D6/300

* cited by examiner

Primary Examiner—Philip S Hyder
Assistant Examiner—Sydney R Buffalow
(74) *Attorney, Agent, or Firm*—Zhigang Ma

(57) **CLAIM**

The ornamental design for a digital photo frame, as shown and described.

DESCRIPTION

FIG. 1 is a perspective view of a digital photo frame showing our new design;

FIG. 2 is a front elevational view thereof;

FIG. 3 is a rear elevational view thereof;

FIG. 4 is a left side elevational view thereof;

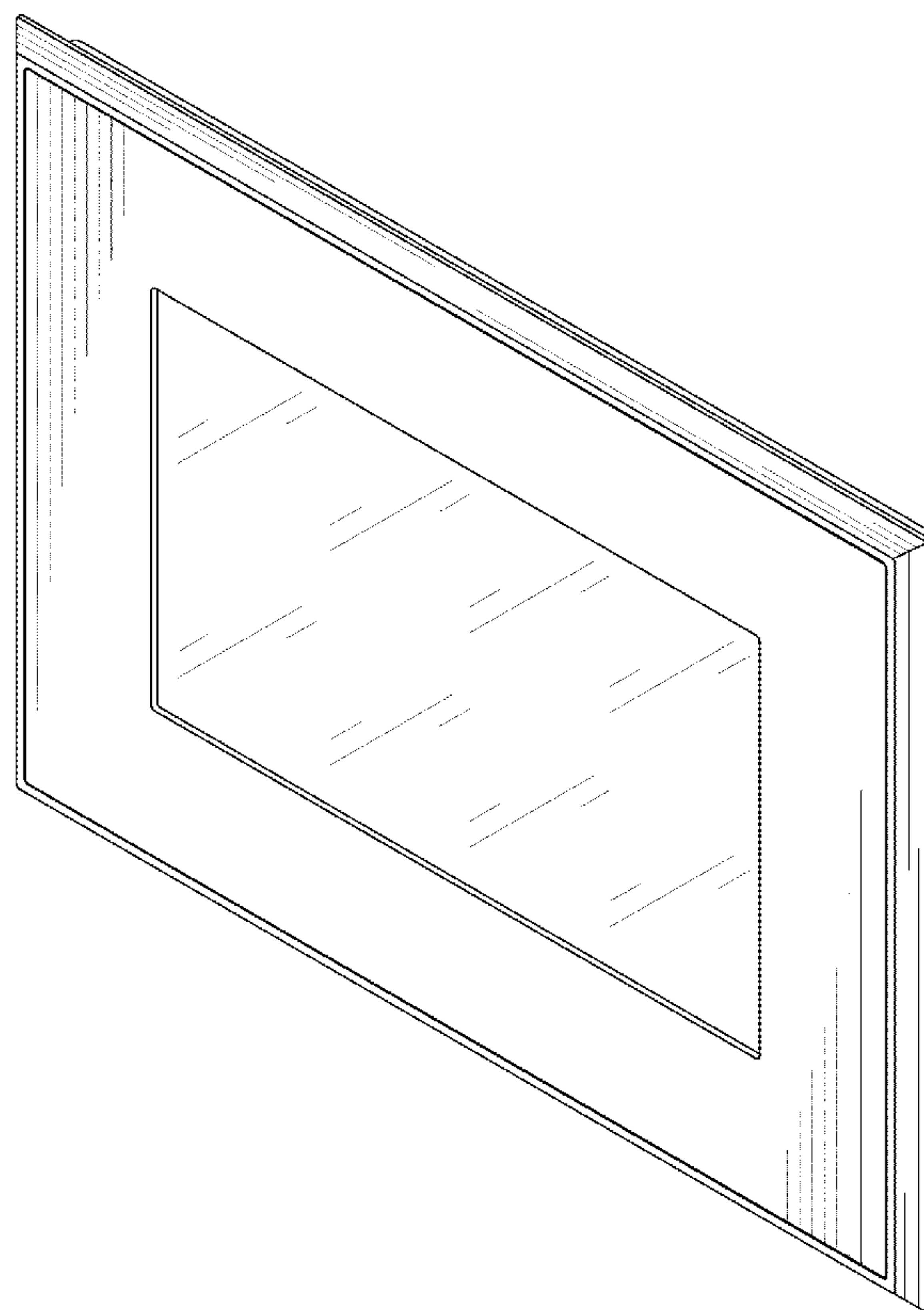
FIG. 5 is a right side elevational view thereof;

FIG. 6 is a top plan view thereof;

FIG. 7 is a bottom plan view thereof; and,

FIG. 8 is a rear perspective view of FIG. 1 in an open state.

1 Claim, 8 Drawing Sheets



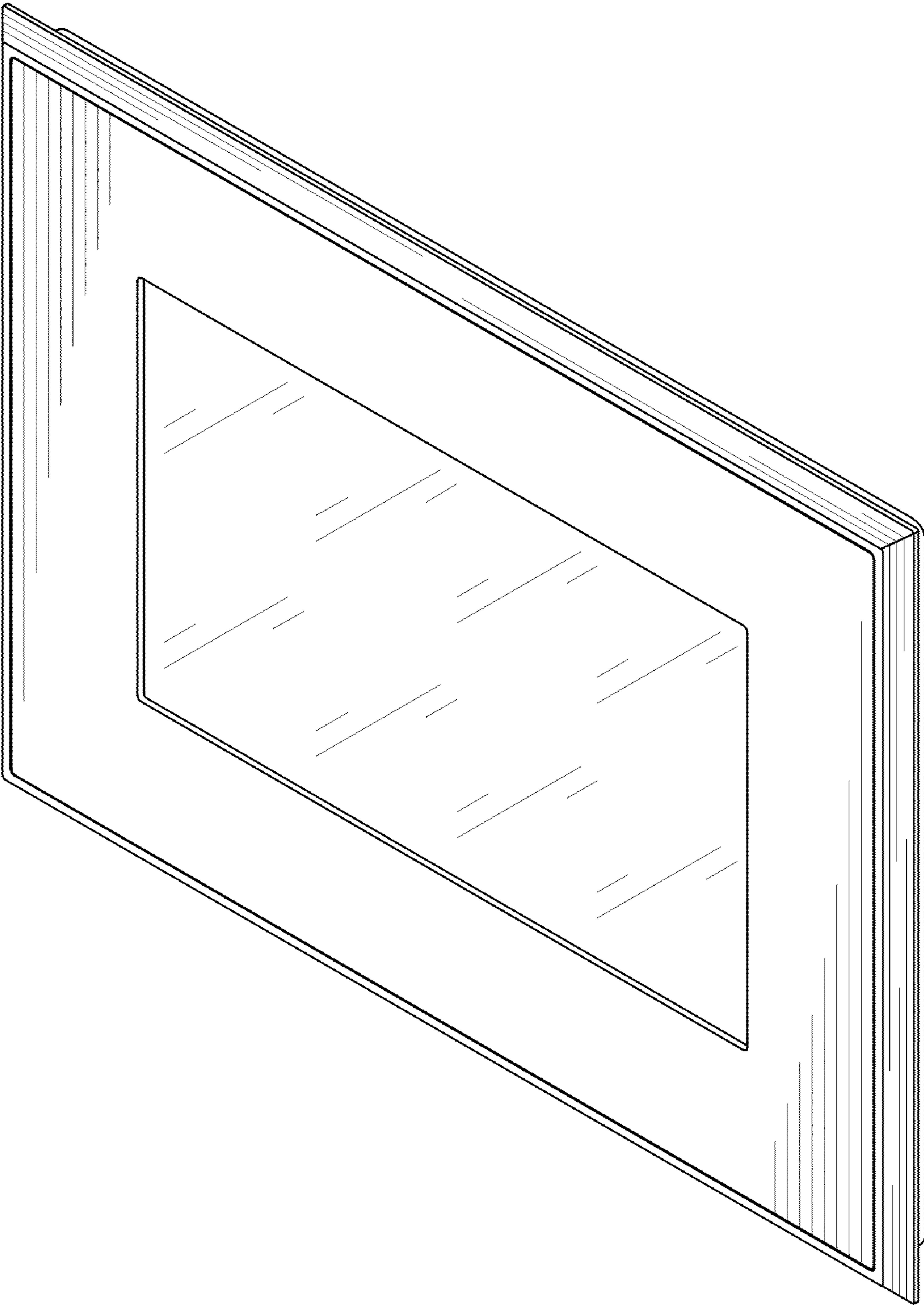


FIG. 1

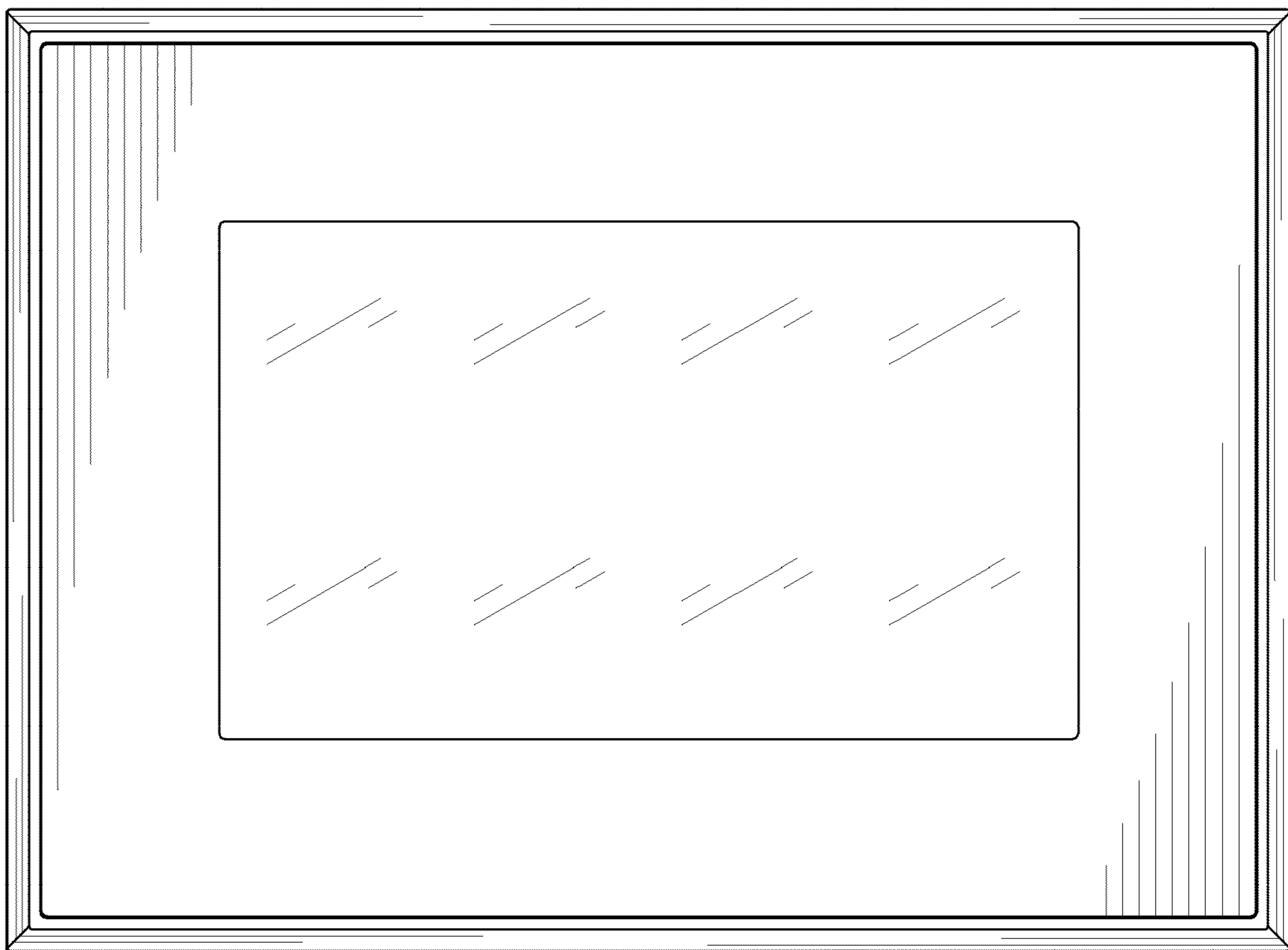


FIG. 2

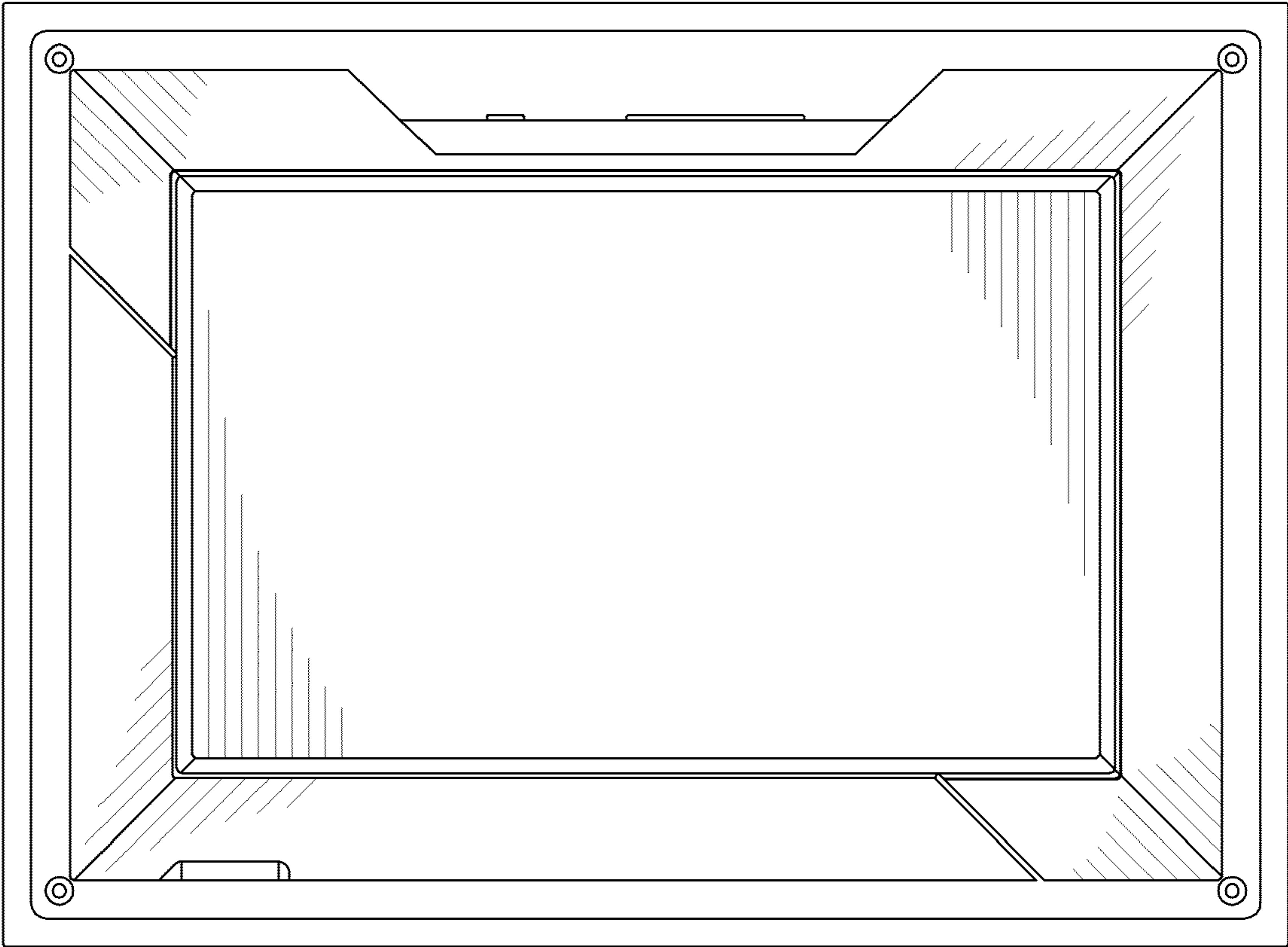


FIG. 3

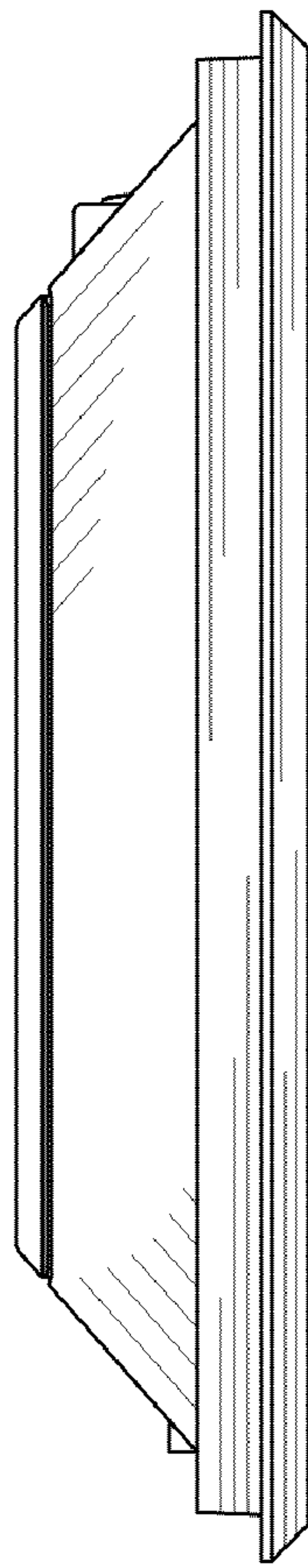


FIG. 4

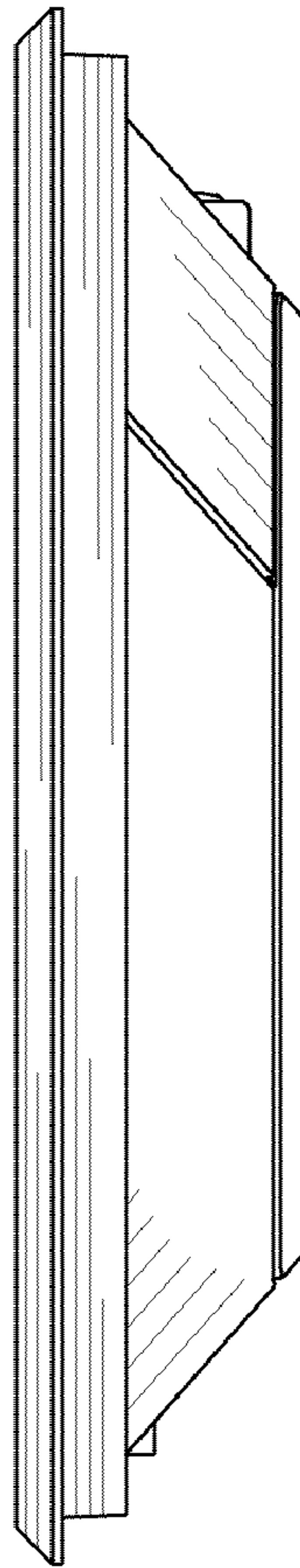


FIG. 5

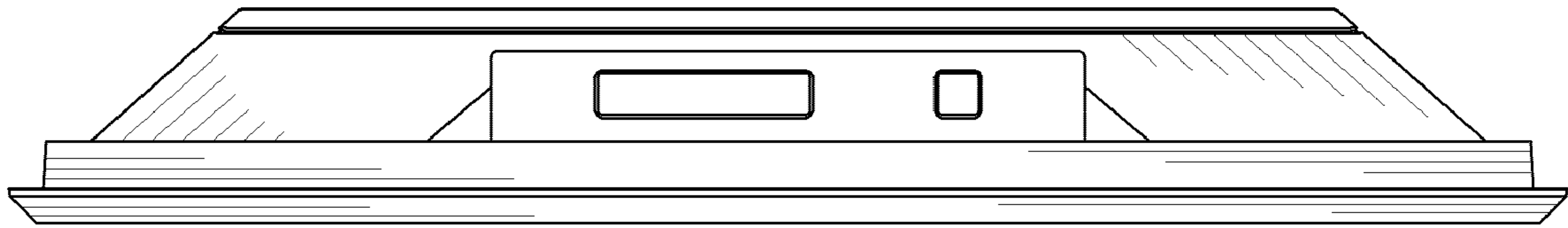


FIG. 6

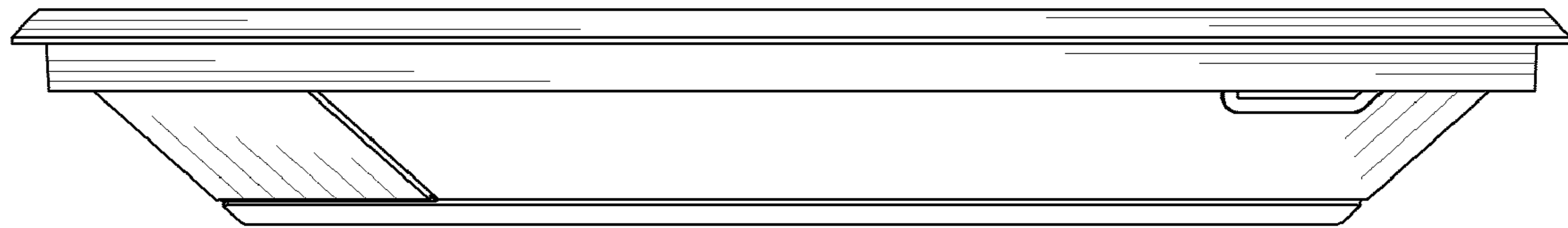


FIG. 7

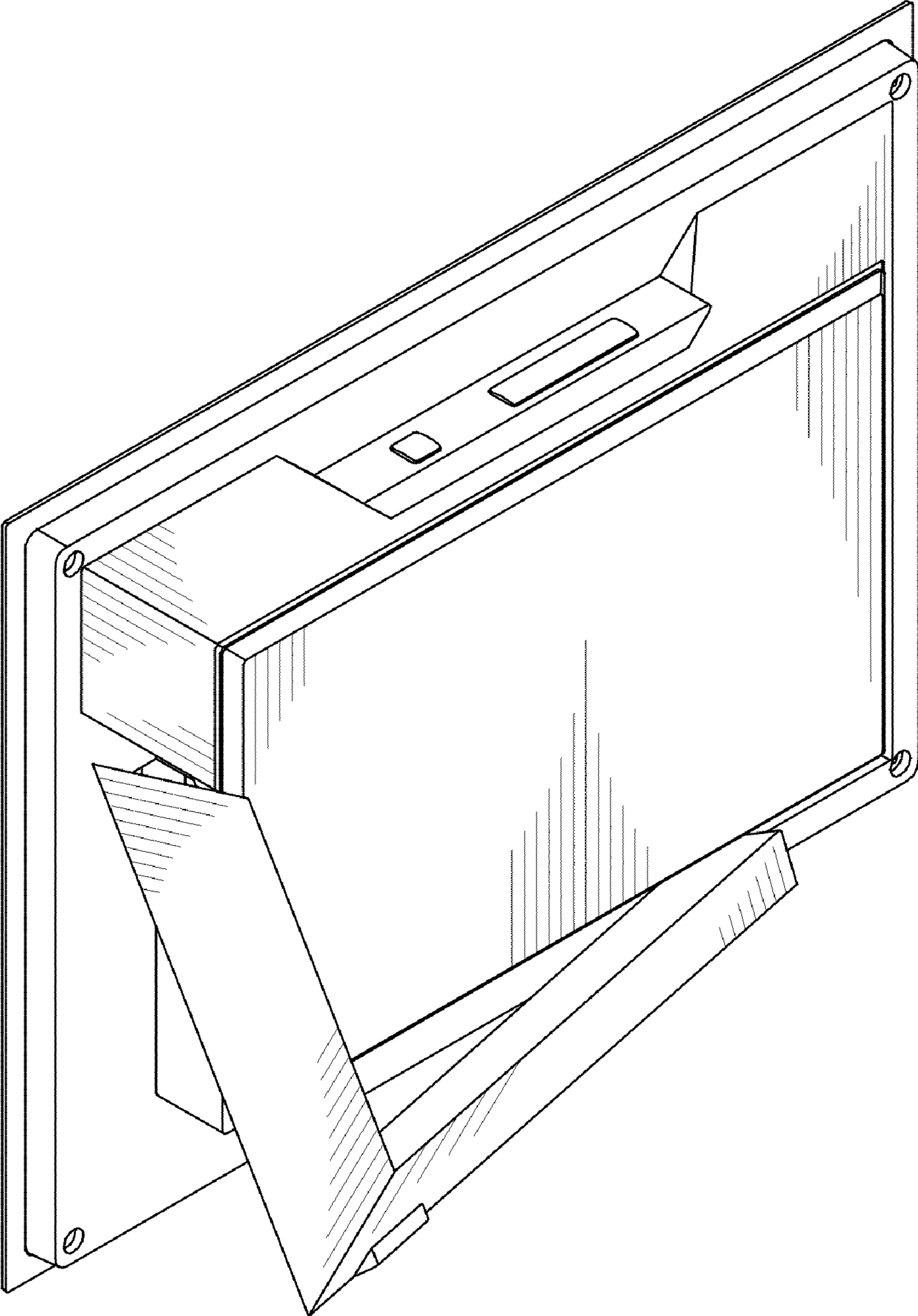


FIG. 8