



US00D614867S

(12) **United States Design Patent**  
**Johnson**

(10) **Patent No.:** **US D614,867 S**

(45) **Date of Patent:** **\*\* May 4, 2010**

(54) **TRAVEL BAG**

(76) **Inventor:** **Maretta Johnson**, 1067 Blankets Creek Dr., Canton, GA (US) 30114

(\*\*) **Term:** **14 Years**

(21) **Appl. No.:** **29/312,477**

(22) **Filed:** **Oct. 22, 2008**

**Related U.S. Application Data**

(63) Continuation-in-part of application No. 11/480,239, filed on Jul. 3, 2006, now abandoned.

(51) **LOC (9) Cl.** ..... **03-01**

(52) **U.S. Cl.** ..... **D3/290**

(58) **Field of Classification Search** ..... D3/216–217, D3/243, 267–268, 276, 283–287, 289–290, D3/901; D7/326–327, 602, 607; 150/106, 150/112, 117; 190/109, 111–112; 206/581  
See application file for complete search history.

(56) **References Cited**

**U.S. PATENT DOCUMENTS**

2,533,850	A *	12/1950	Syracuse	.....	150/117
2,844,141	A *	7/1958	Daugherty	.....	126/263.05
3,732,955	A *	5/1973	Carter et al.	.....	190/109
D276,953	S *	1/1985	Weinreb	.....	D3/268
D291,149	S *	8/1987	Smith	.....	D3/287
D377,415	S *	1/1997	Jacobs et al.	.....	D3/206
D399,057	S *	10/1998	Akutsu	.....	D3/290
5,868,227	A *	2/1999	Garcia	.....	190/112
D414,932	S *	10/1999	Platte, III	.....	D3/276
5,961,216	A *	10/1999	Quinn et al.	.....	383/4
D416,680	S *	11/1999	Latshaw	.....	D3/286
6,047,752	A *	4/2000	Southwick	.....	150/117
6,390,260	B1 *	5/2002	Roegner	.....	190/109
D465,086	S *	11/2002	Watts	.....	D3/290

D467,073	S *	12/2002	Hassett	.....	D3/267
6,491,074	B1 *	12/2002	Roegner	.....	150/112
D473,051	S *	4/2003	Hassett	.....	D3/267
D482,527	S *	11/2003	Fair	.....	D3/267
6,681,936	B2 *	1/2004	Godshaw et al.	.....	206/581
2006/0254952	A1 *	11/2006	Trevino et al.	.....	206/581

\* cited by examiner

*Primary Examiner*—Philip S Hyder

*Assistant Examiner*—Roselynn Cody

(74) *Attorney, Agent, or Firm*—Rodgers & Rodgers

(57) **CLAIM**

The ornamental design for a travel bag, as shown and described.

**DESCRIPTION**

FIG. 1 is a perspective view of a travel bag showing my new design;

FIG. 2 is a front elevational view thereof;

FIG. 3 is a right-side elevational view thereof;

FIG. 4 is a rear elevational view thereof;

FIG. 5 is a left-side elevational view thereof;

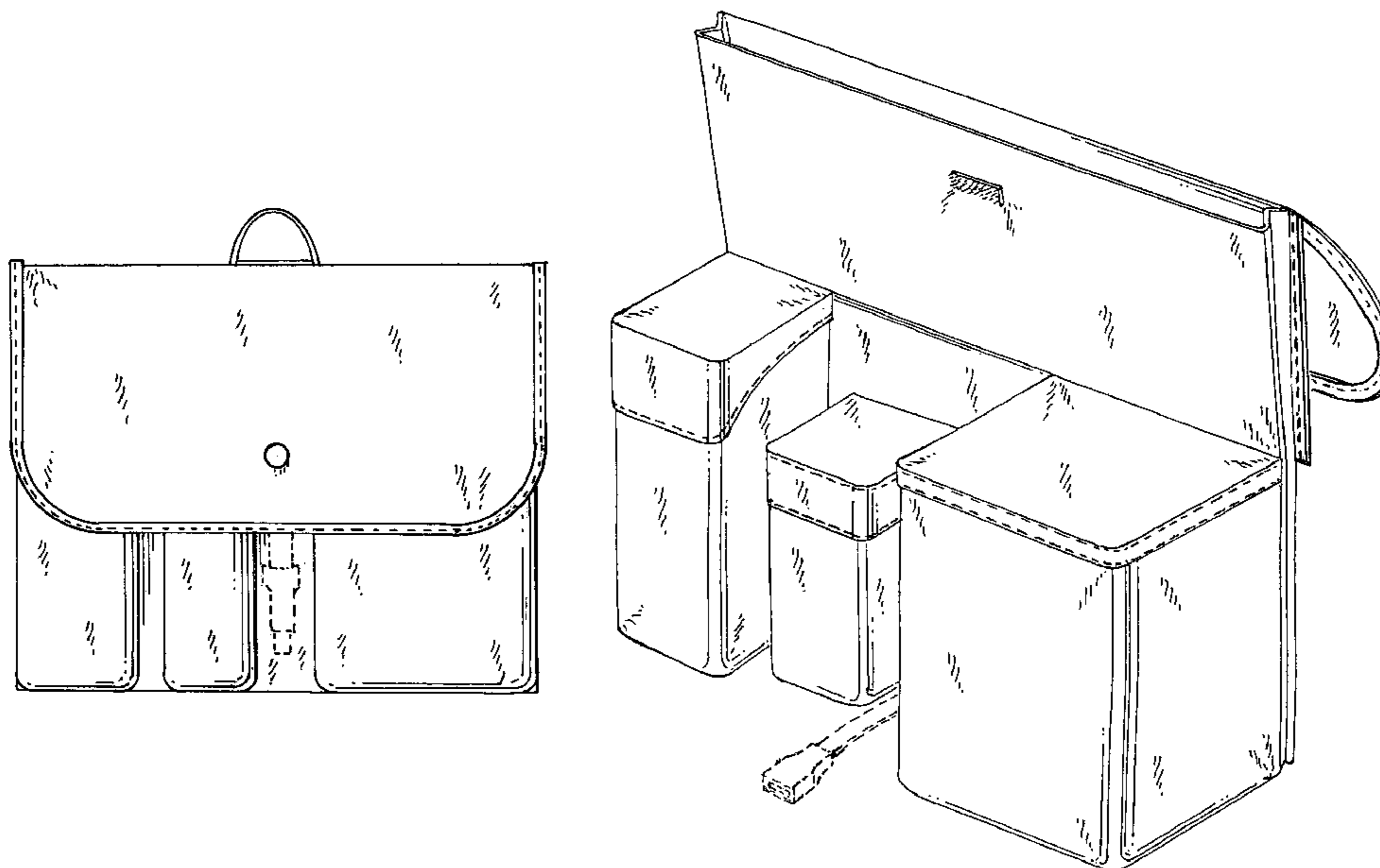
FIG. 6 is a top plan view thereof;

FIG. 7 is a bottom plan view thereof; and,

FIG. 8 is a perspective view showing the travel bag in an open condition.

The broken lines representing a buckle and strap in FIGS. 1, 2, 3, 5, 7 and 8 are for the purpose of showing aspects of the design that form no part of the claim. The broken lines in FIG. 4 that circumscribe unshaded areas indicate boundary within which no claim is made. All other broken lines in the figures represent stitching that does form part of the claimed design.

**1 Claim, 3 Drawing Sheets**



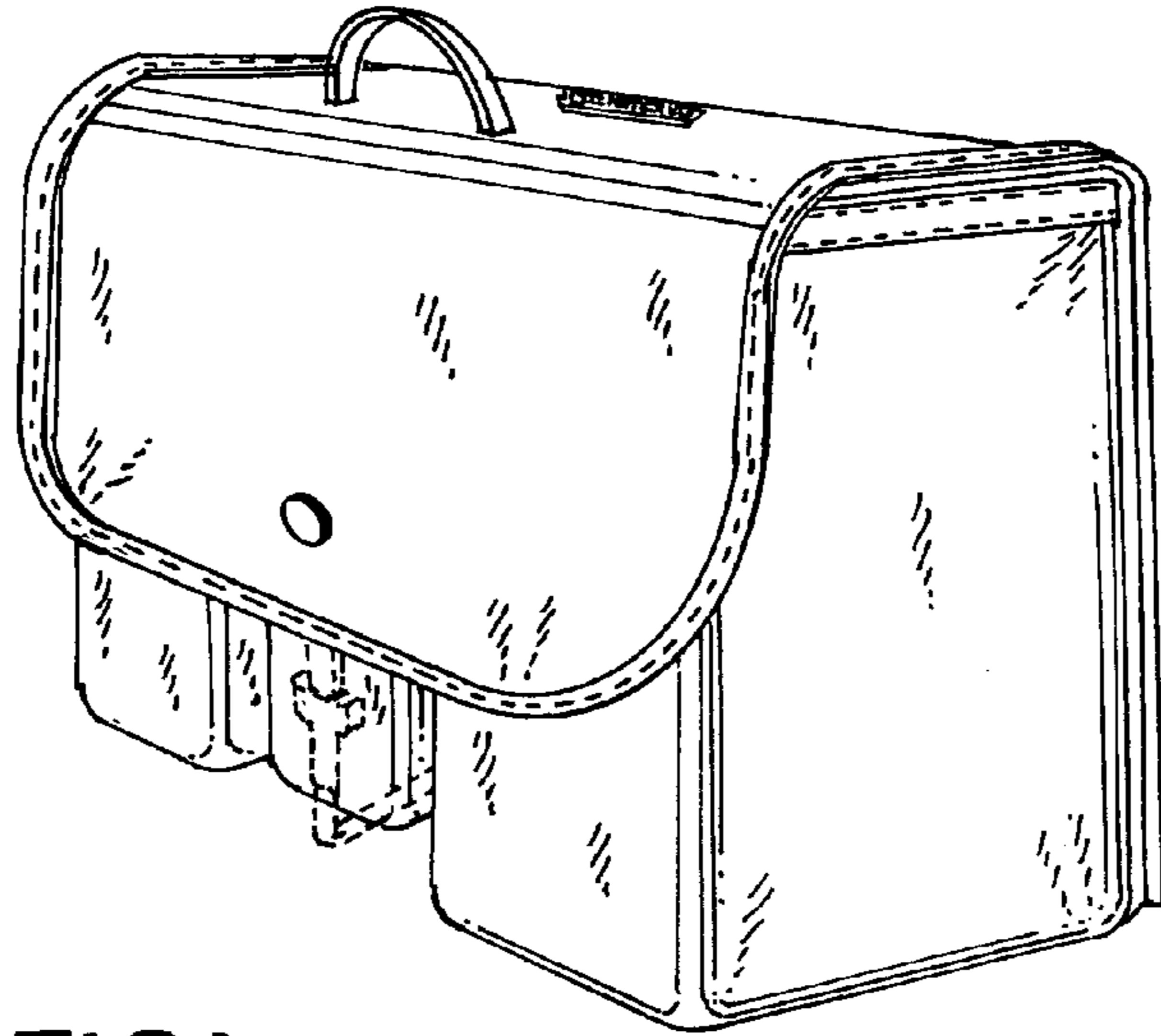


FIG. 1

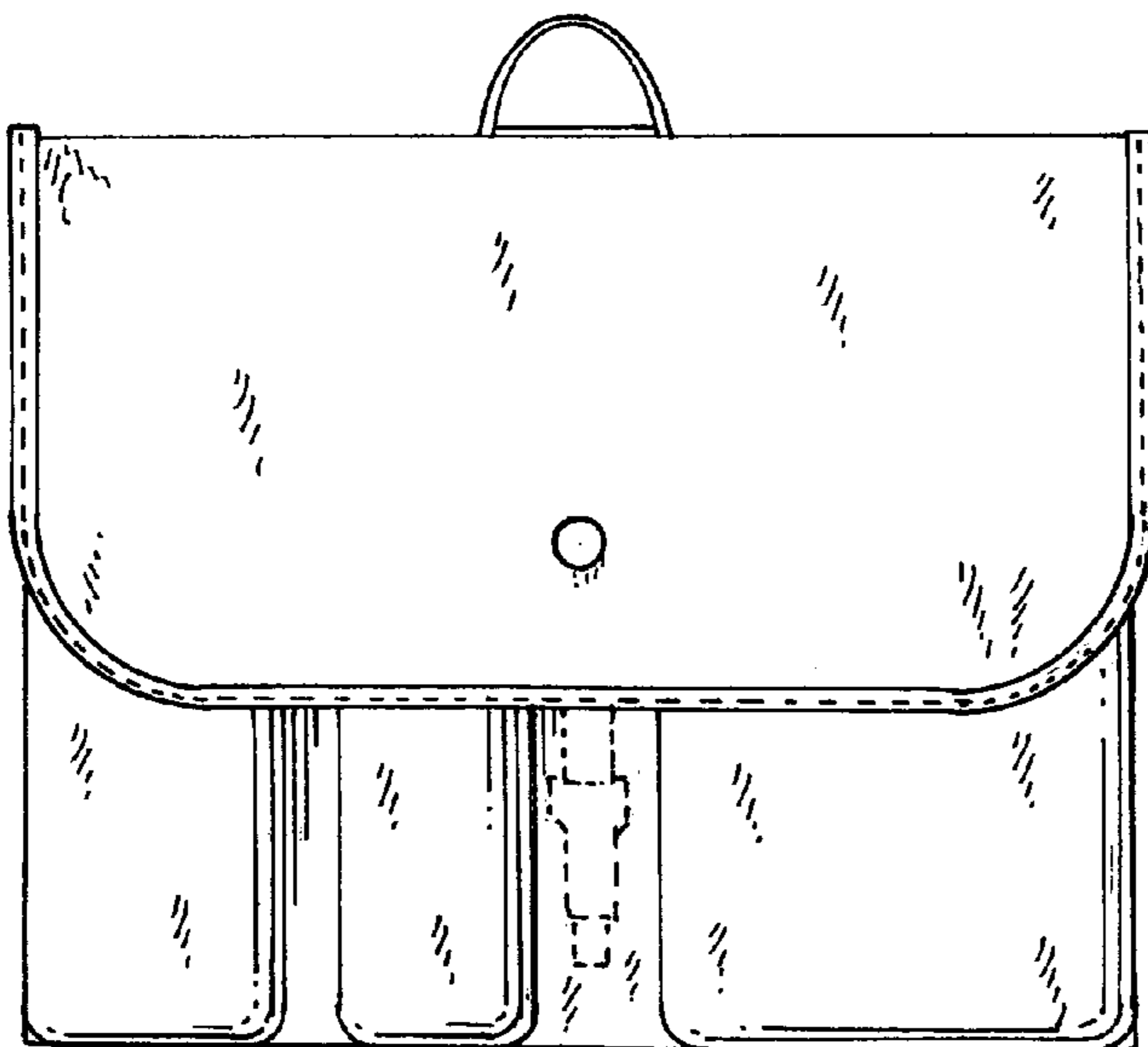


FIG. 2

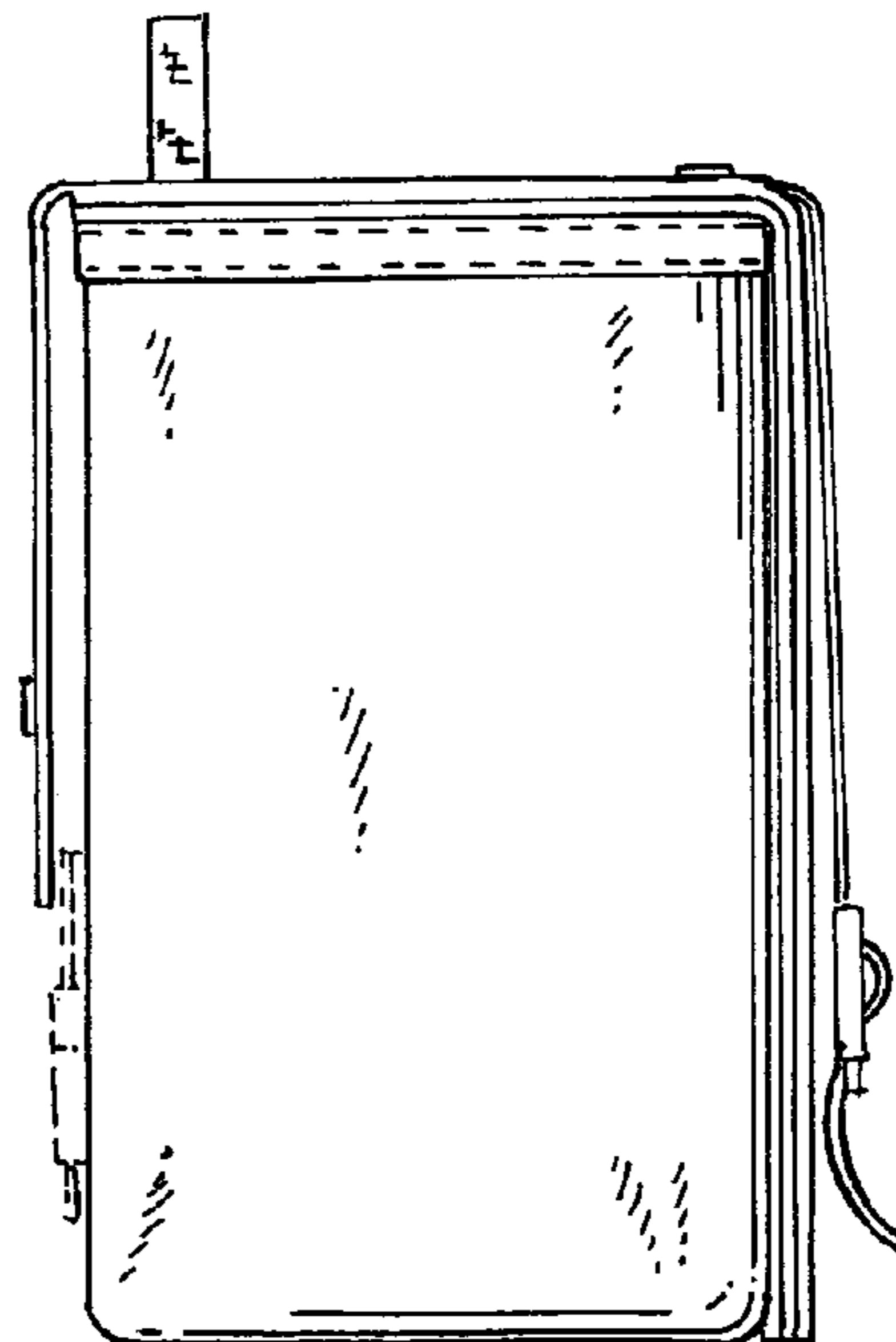


FIG. 3

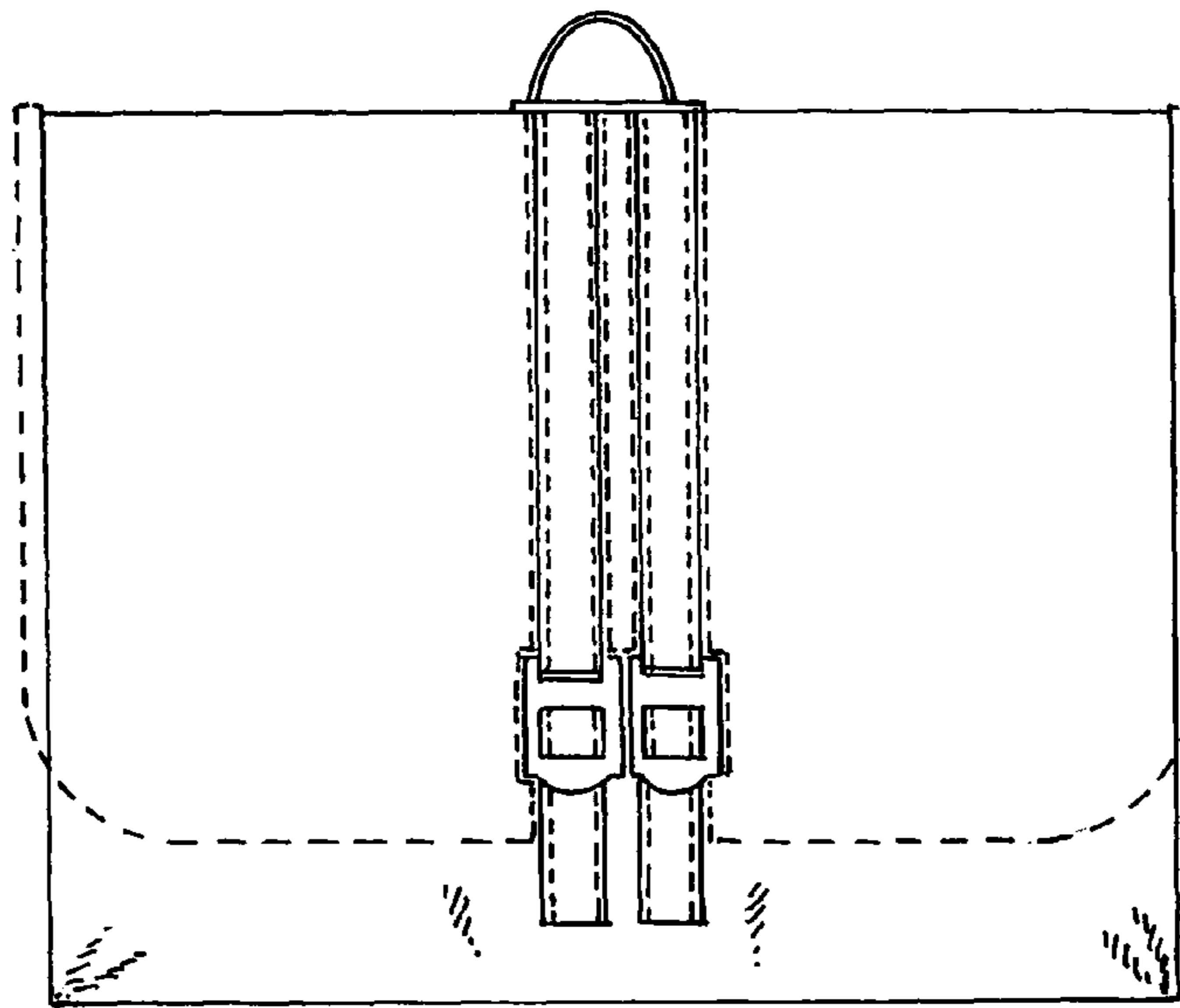


FIG. 4

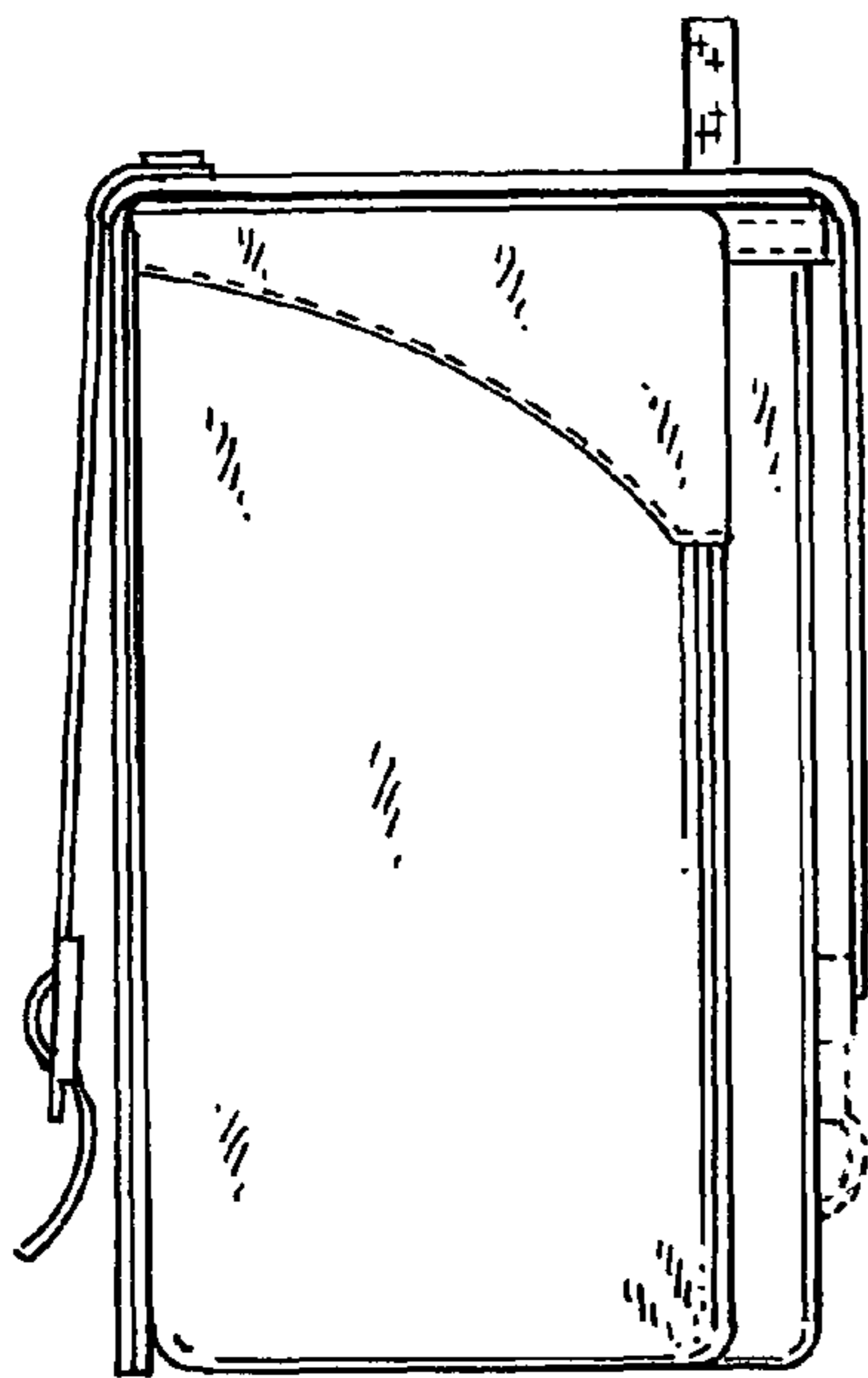


FIG. 5

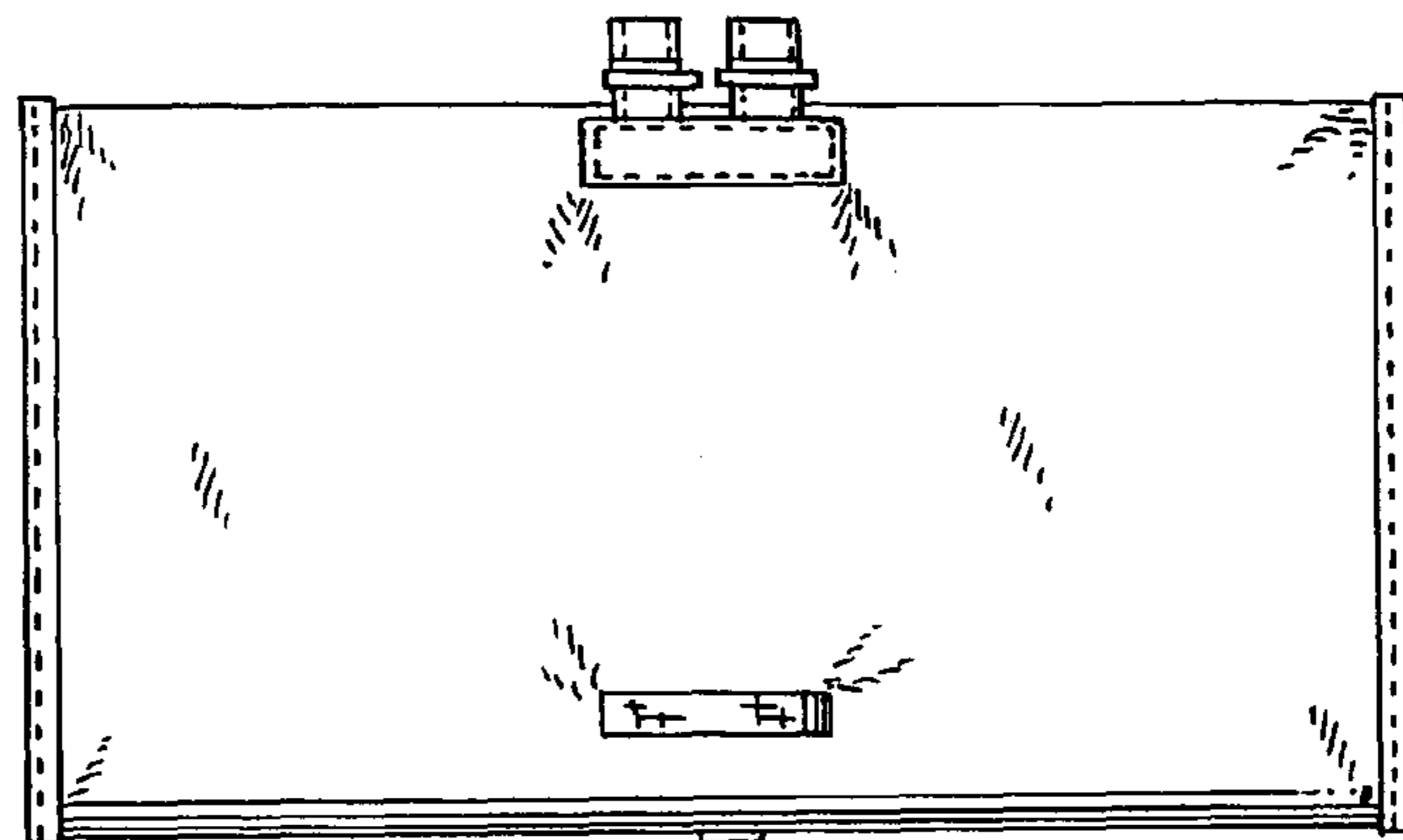


FIG. 6

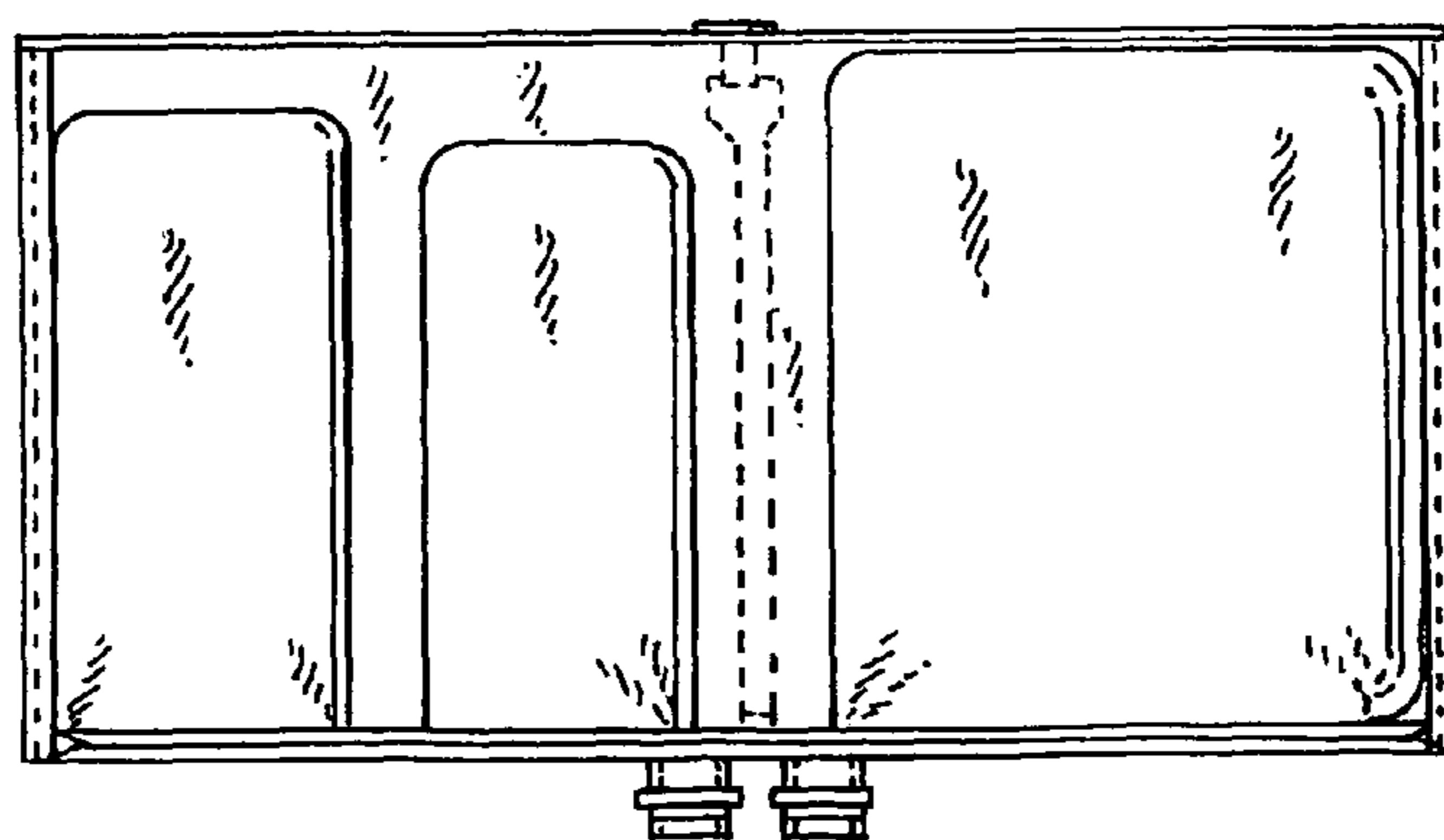


FIG. 7

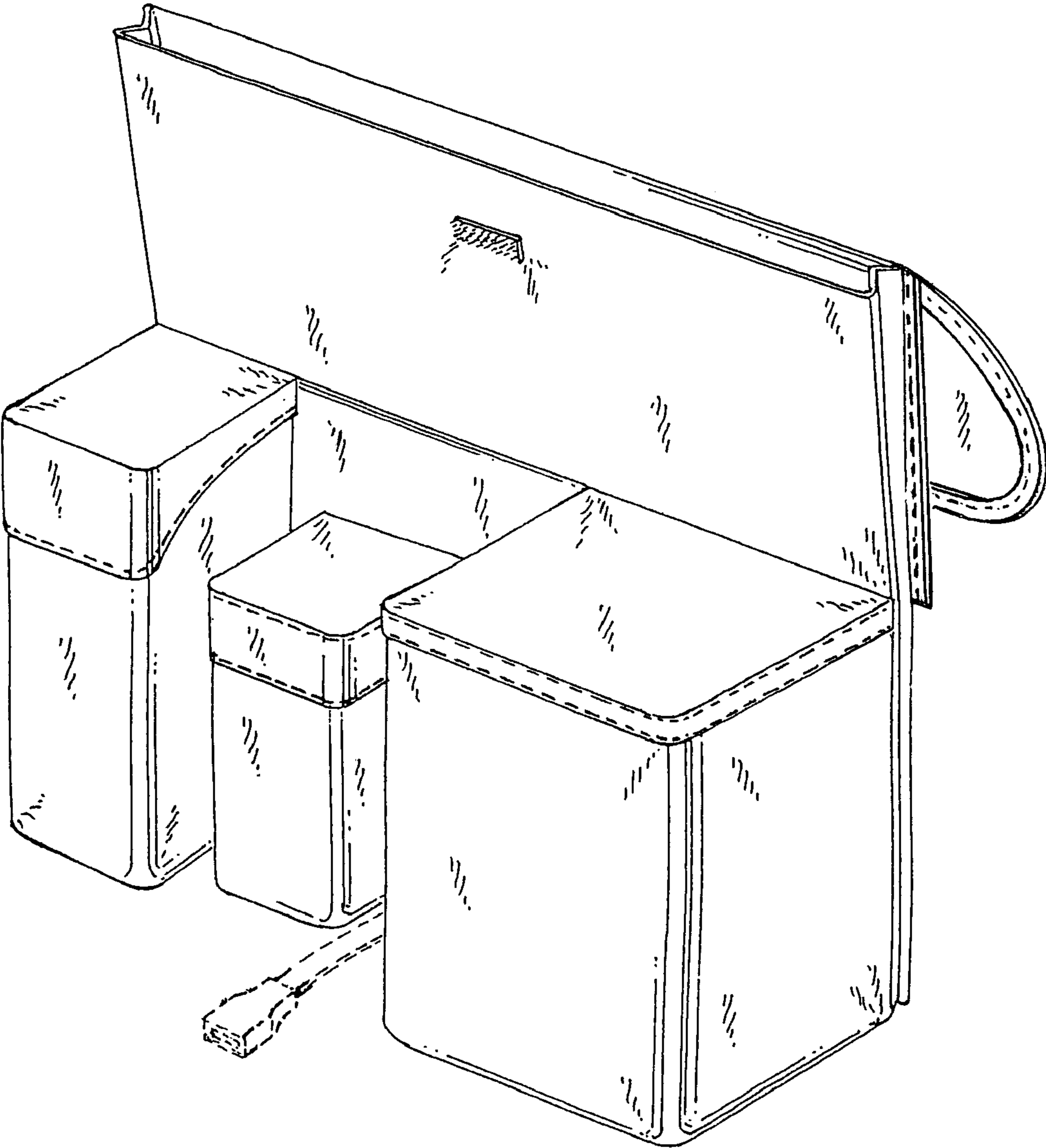


FIG.8