



US00D614859S

(12) **United States Design Patent**
Hansen

(10) **Patent No.:** **US D614,859 S**
(45) **Date of Patent:** **** May 4, 2010**

(54) **MEDICAL TRAINING TROLLEY**

(57) **CLAIM**

(75) Inventor: **Frederik Hansen**, Stavanger (NO)

The ornamented designs in medical training trolley, as shown and described.

(73) Assignee: **Laerdal Medical AS**, Stavanger (NO)

(**) Term: **14 Years**

DESCRIPTION

(21) Appl. No.: **29/320,200**

(22) Filed: **Jun. 23, 2008**

(30) **Foreign Application Priority Data**

Dec. 21, 2007 (EM) 000848718

(51) **LOC (9) Cl.** **03-01**

(52) **U.S. Cl.** **D3/203.7**

(58) **Field of Classification Search** D3/203.1–203.7,
D3/201, 205, 272–277, 279, 283, 318, 321–322;
190/18 A, 100, 103, 109, 112, 124
See application file for complete search history.

FIG. 1 is a front view of a medical training trolley according to a first embodiment;

FIG. 2 is a left side view of the medical training trolley of the embodiment of FIG. 1;

FIG. 3 is a right side view of the medical training trolley of the embodiment of FIG. 1;

FIG. 4 is a bottom view of the medical training trolley of the embodiment of FIG. 1;

FIG. 5 is a left side view of the medical training trolley of the embodiment of FIG. 1 in the open position;

FIG. 6 is a front view of the medical training trolley of the embodiment of FIG. 1 in the open position;

FIG. 7 is a front view of a medical training trolley according to a second embodiment;

FIG. 8 is a left side view of the medical training trolley of the embodiment of FIG. 7;

FIG. 9 is a right side view of the medical training trolley of the embodiment of FIG. 7;

FIG. 10 is a bottom view of the medical training trolley of the embodiment of FIG. 7;

FIG. 11 is a left side view of the medical training trolley of the embodiment of FIG. 7 in the open position;

FIG. 12 is a front view of the medical training trolley of the embodiment of FIG. 7 in the open position;

FIG. 13 is a front view of a medical training trolley according to a third embodiment;

FIG. 14 is a left side view of the medical training trolley of the embodiment of FIG. 13;

FIG. 15 is a right side view of the medical training trolley of the embodiment of FIG. 13;

FIG. 16 is a bottom view of the medical training trolley of the embodiment of FIG. 13;

(56) **References Cited**

U.S. PATENT DOCUMENTS

D601,344 S * 10/2009 Chu et al. D3/321

D603,608 S * 11/2009 Chu et al. D3/321

D604,953 S * 12/2009 Chu et al. D3/318

OTHER PUBLICATIONS

Laerdal 3D Cervical Effacement & Delation Model—Laerdal Product No. 79700. Description Available at [HTTP://WWW.LAERDAL.COM/DOCUMENT.ASPX?DOCID=1675552](http://WWW.LAERDAL.COM/DOCUMENT.ASPX?DOCID=1675552), 2001-2009.

Spftpack for Laerdal AED Trainer 2, Product No. 945030—Description Available at [HTTP://WWW.LAERDAL.COM/DOCUMENT.ASP?SUBNODEID=26294811](http://WWW.LAERDAL.COM/DOCUMENT.ASP?SUBNODEID=26294811).

* cited by examiner

Primary Examiner—Catherine R Oliver

(74) *Attorney, Agent, or Firm*—Connelly Bove Lodge & Hutz LLP; Arlene P. Neal

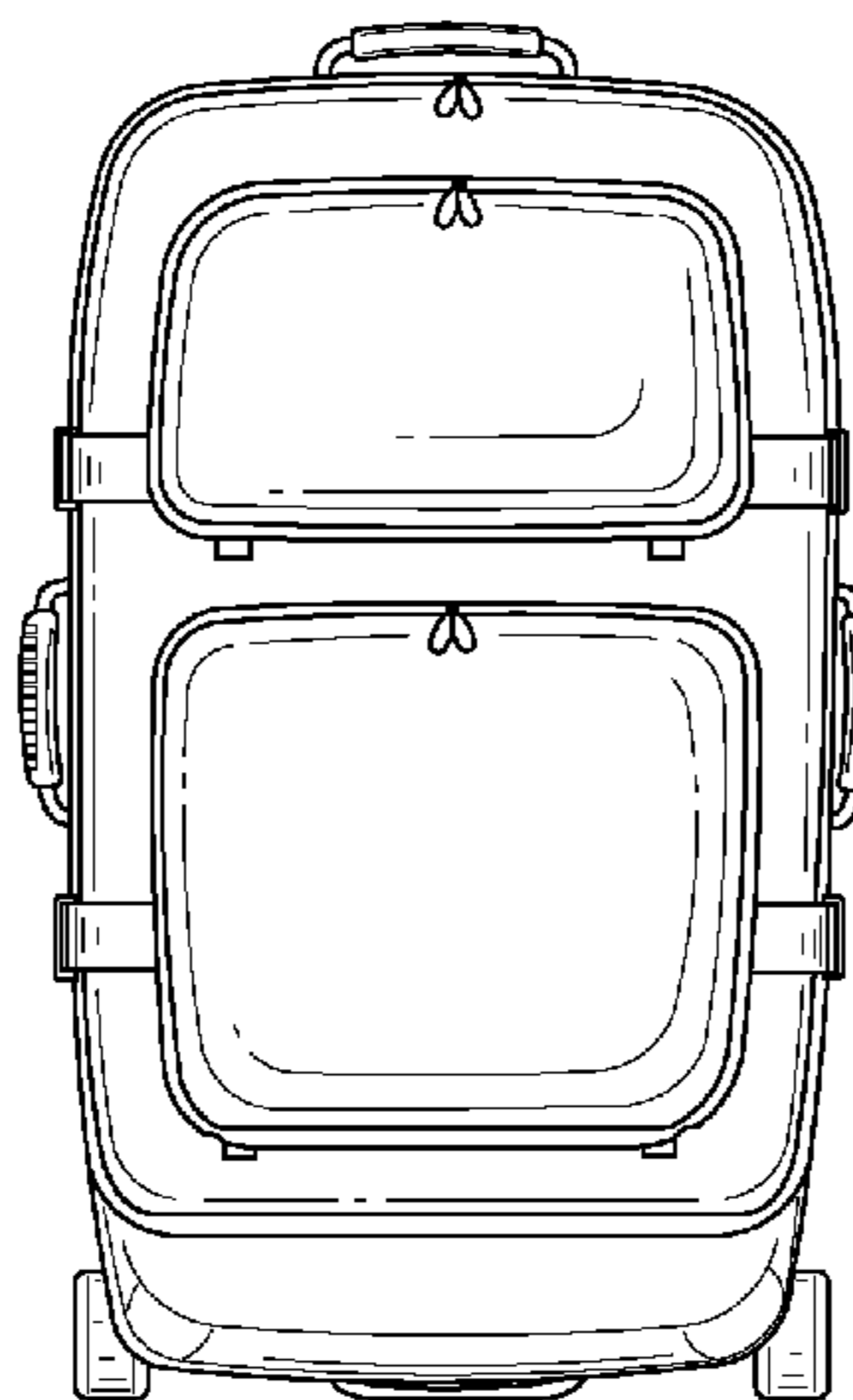


FIG. **17** is a left side view of the medical training trolley of the embodiment of FIG. **13** in the open position;

FIG. **18** is a front view of the medical training trolley of the embodiment of FIG. **13** in the open position;

FIG. **19** is a front view of a medical training trolley according to a fourth embodiment;

FIG. **20** is a left side view of the medical training trolley of the embodiment of FIG. **19**;

FIG. **21** is a right side view of the medical training trolley of the embodiment of FIG. **19**;

Figure. **22** is a bottom view of the medical training trolley of the embodiment of FIG. **19**;

FIG. **23** is a left side view of the medical training trolley of the embodiment of FIG. **19** in the open position; and,

FIG. **24** is a left side view up the medical training trolley of the embodiment of FIG. **19** in the open position.

1 Claim, 24 Drawing Sheets

FIG. 1

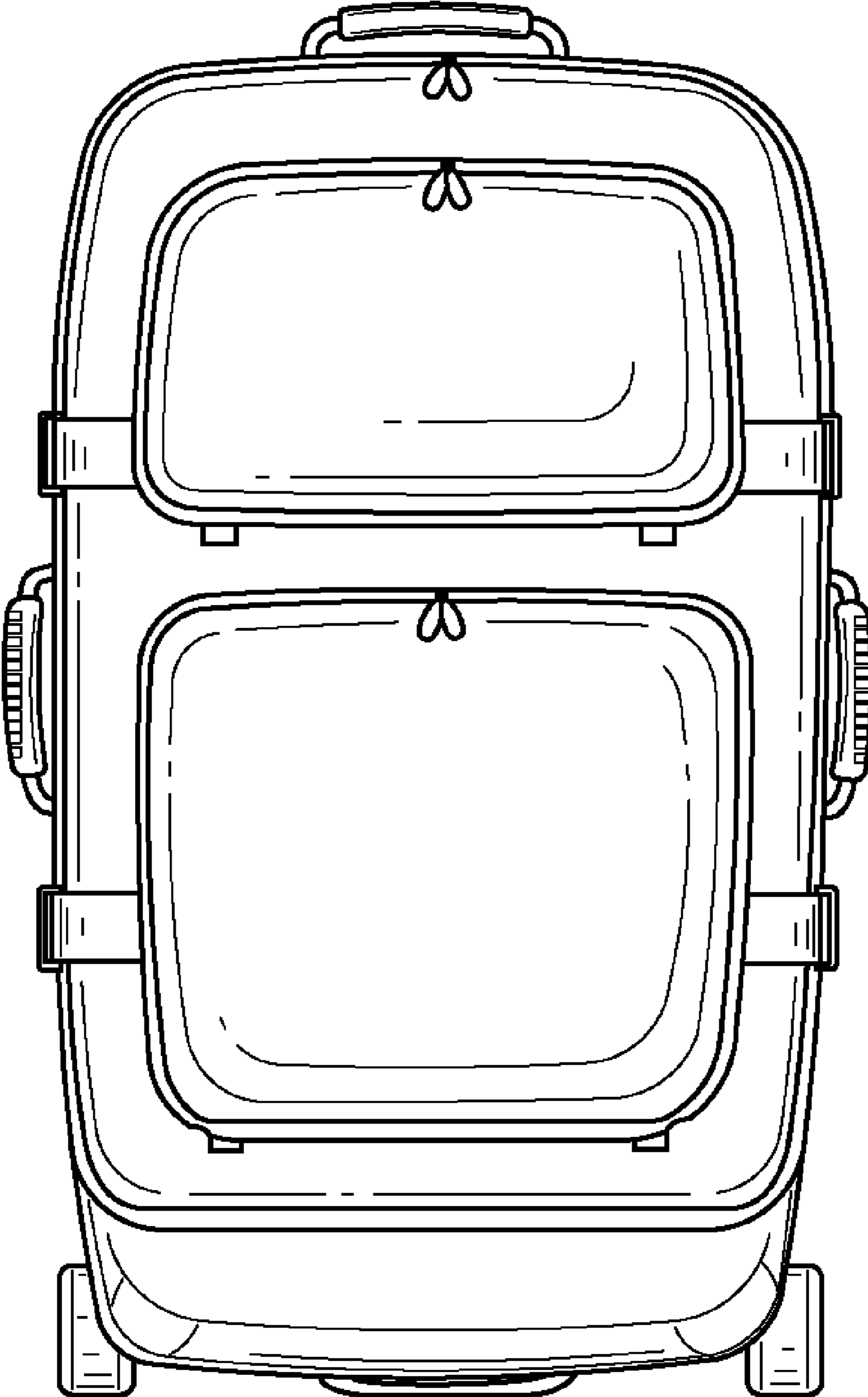


FIG. 2

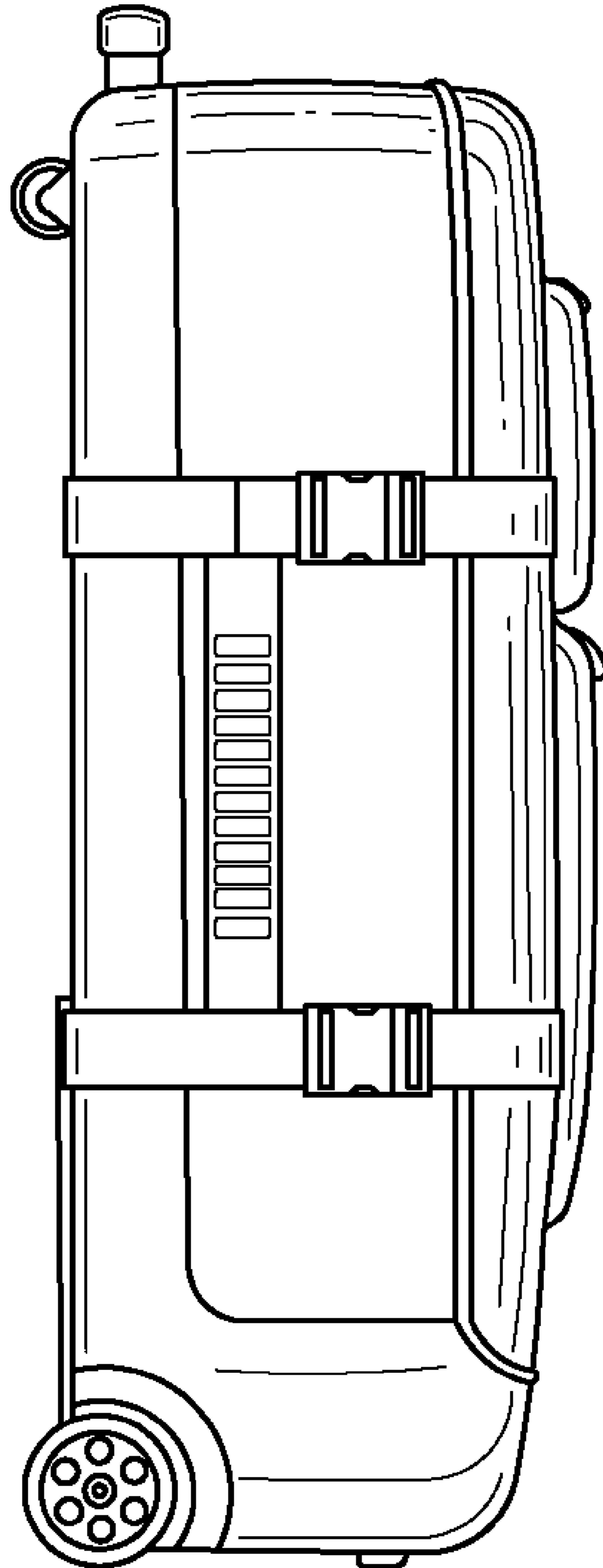


FIG. 3

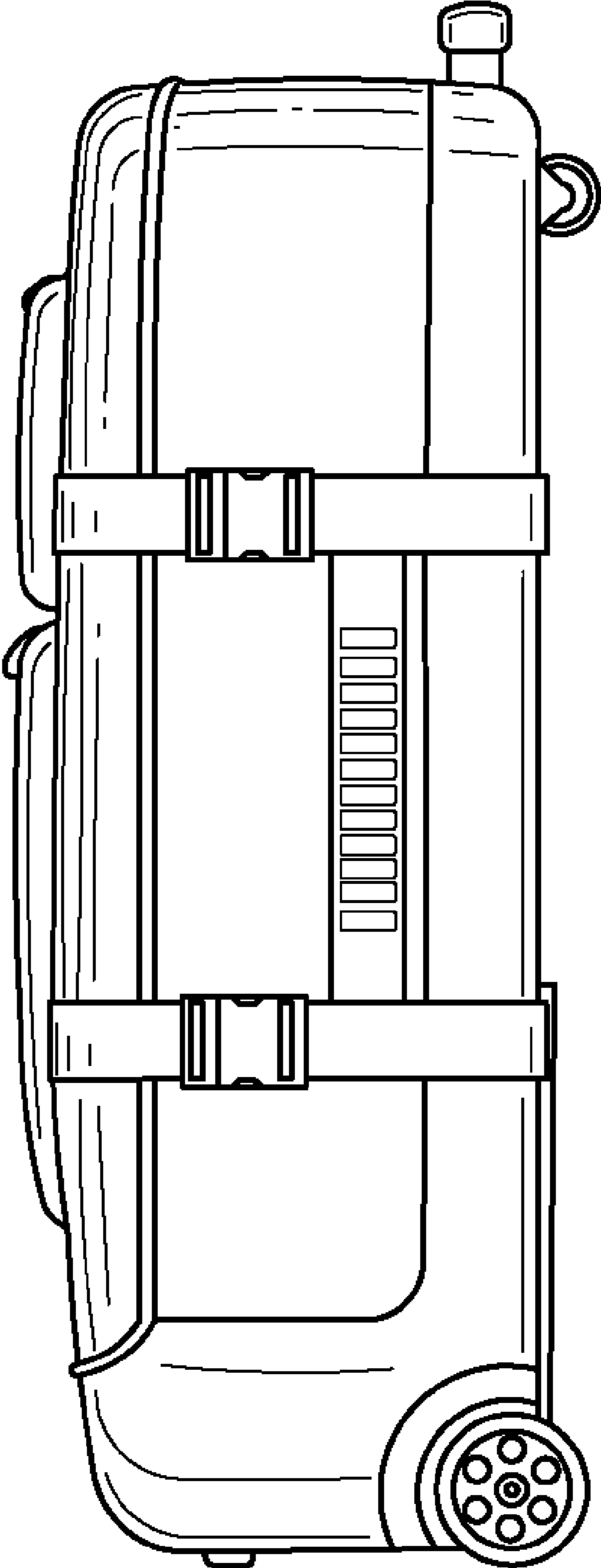


FIG. 4

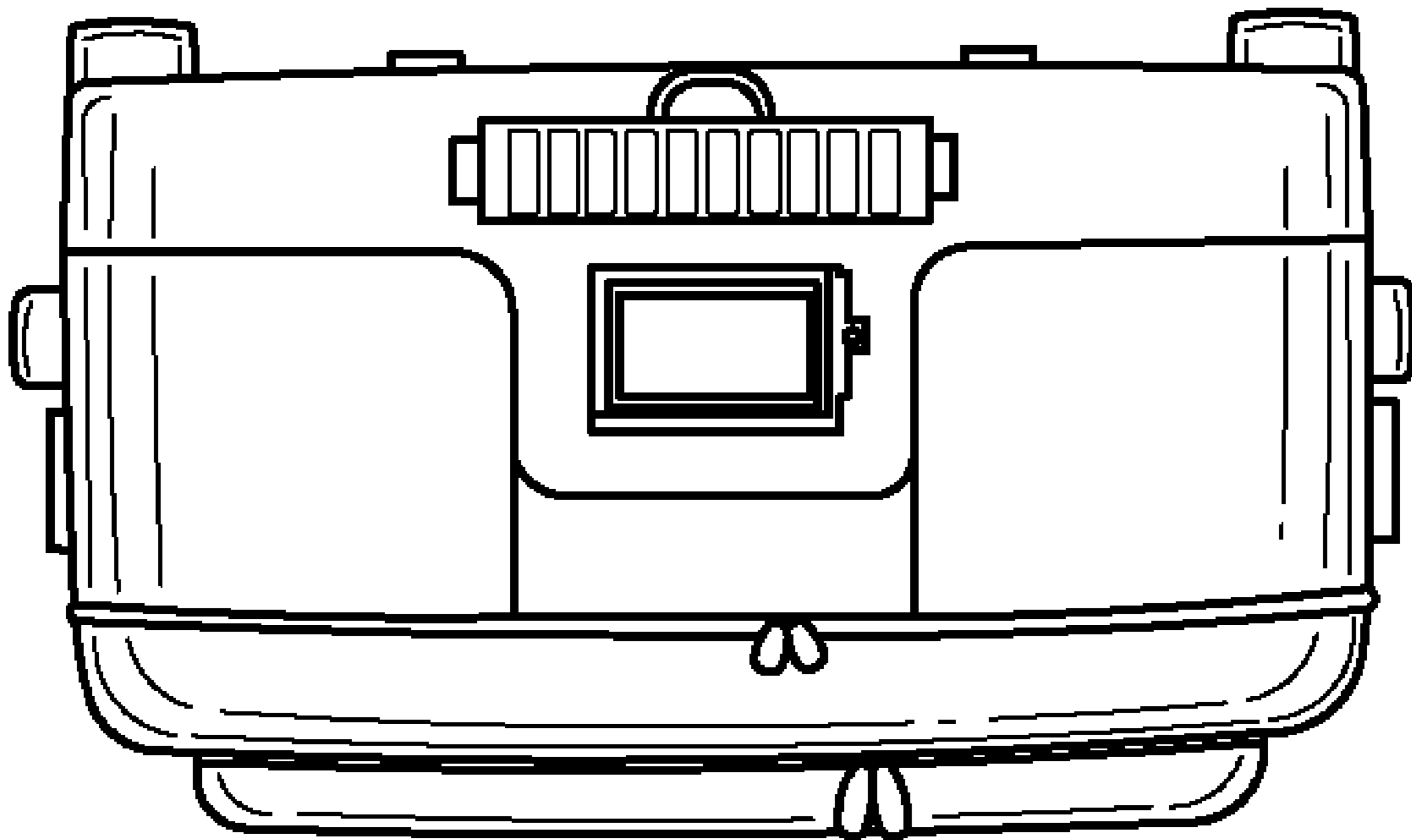


FIG. 5

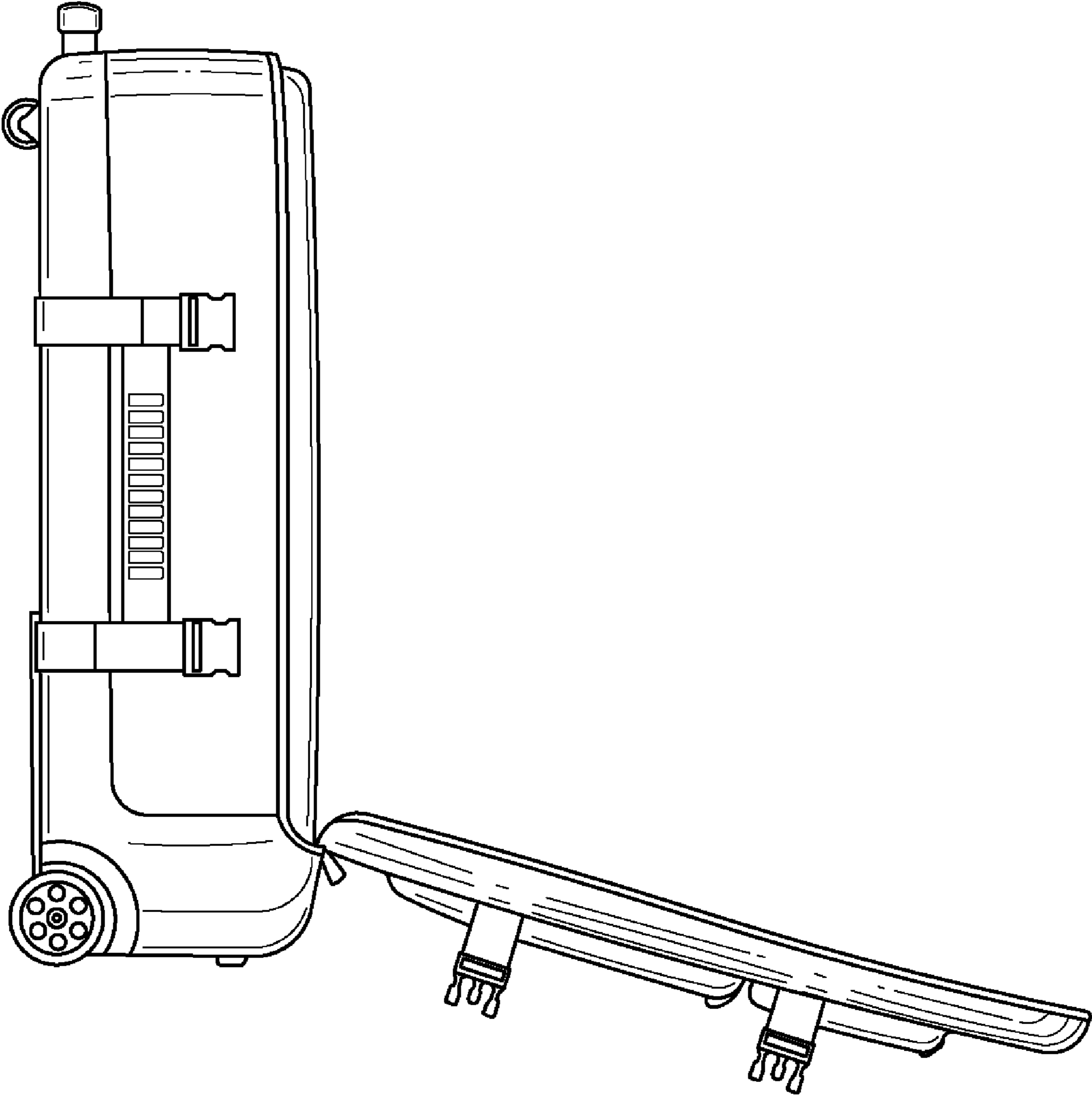


FIG. 6

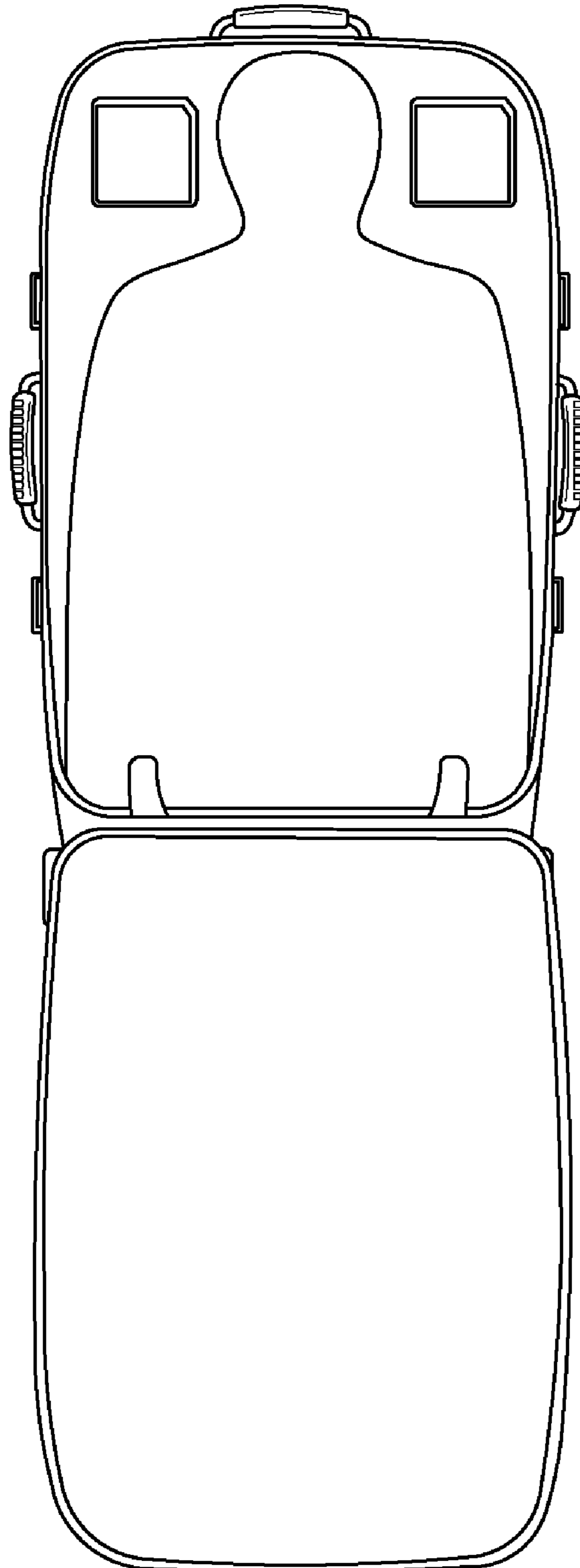


FIG. 7

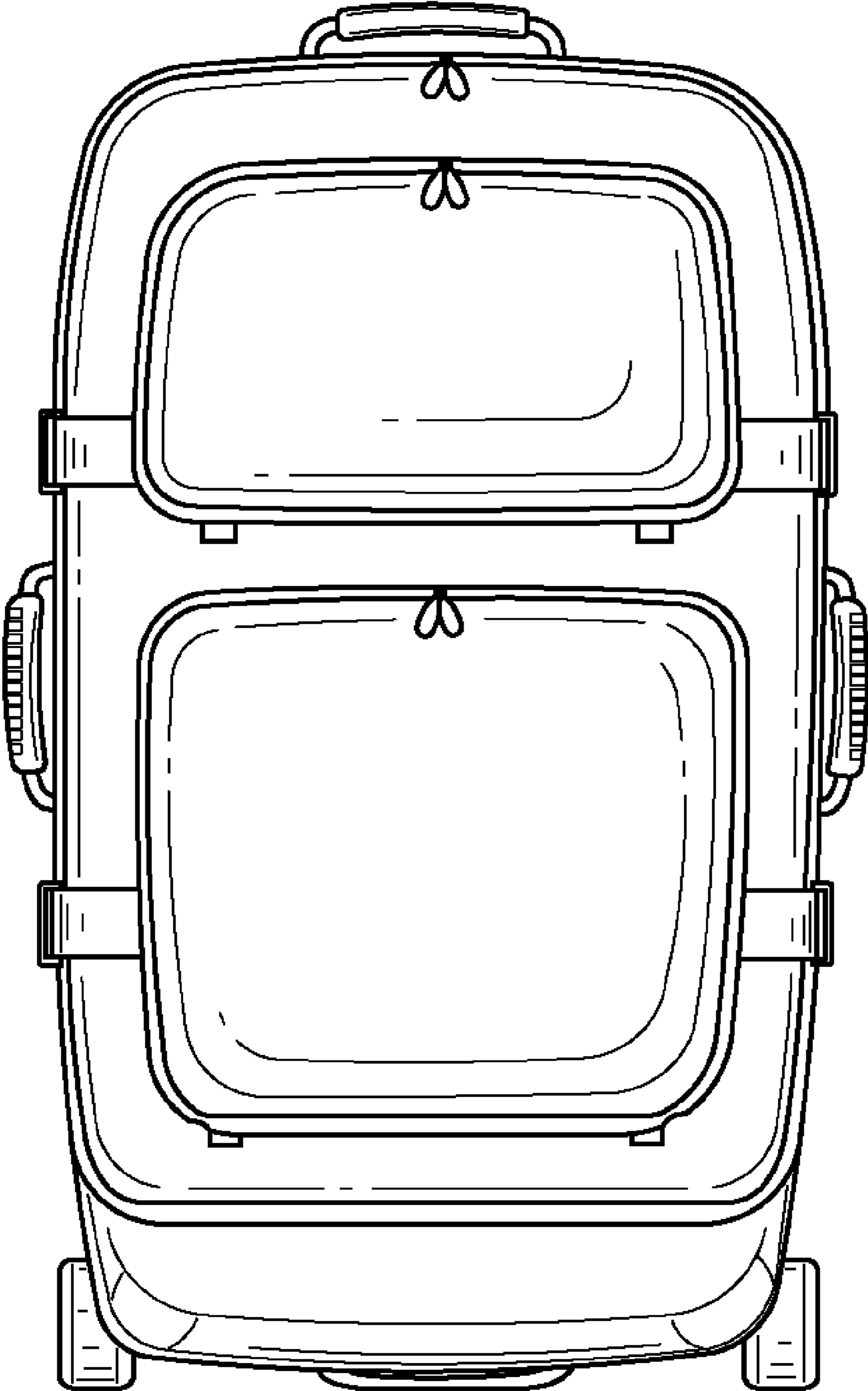


FIG. 8

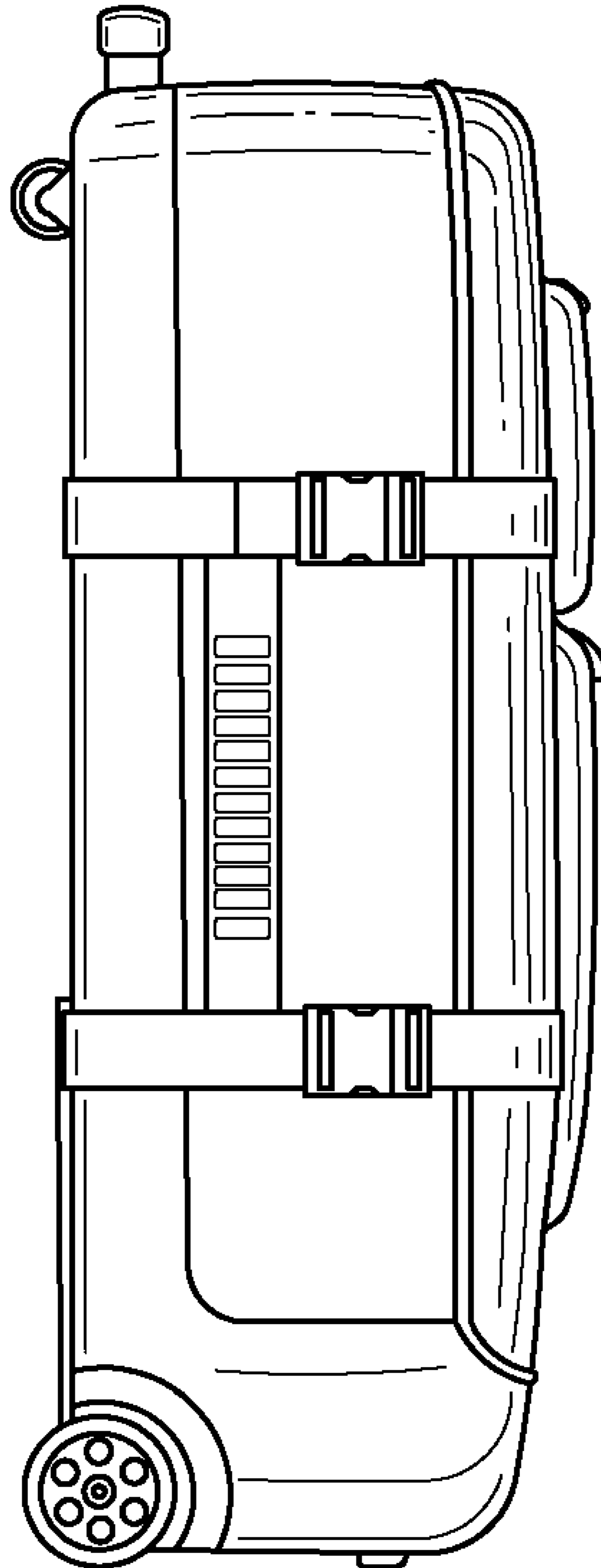


FIG. 9

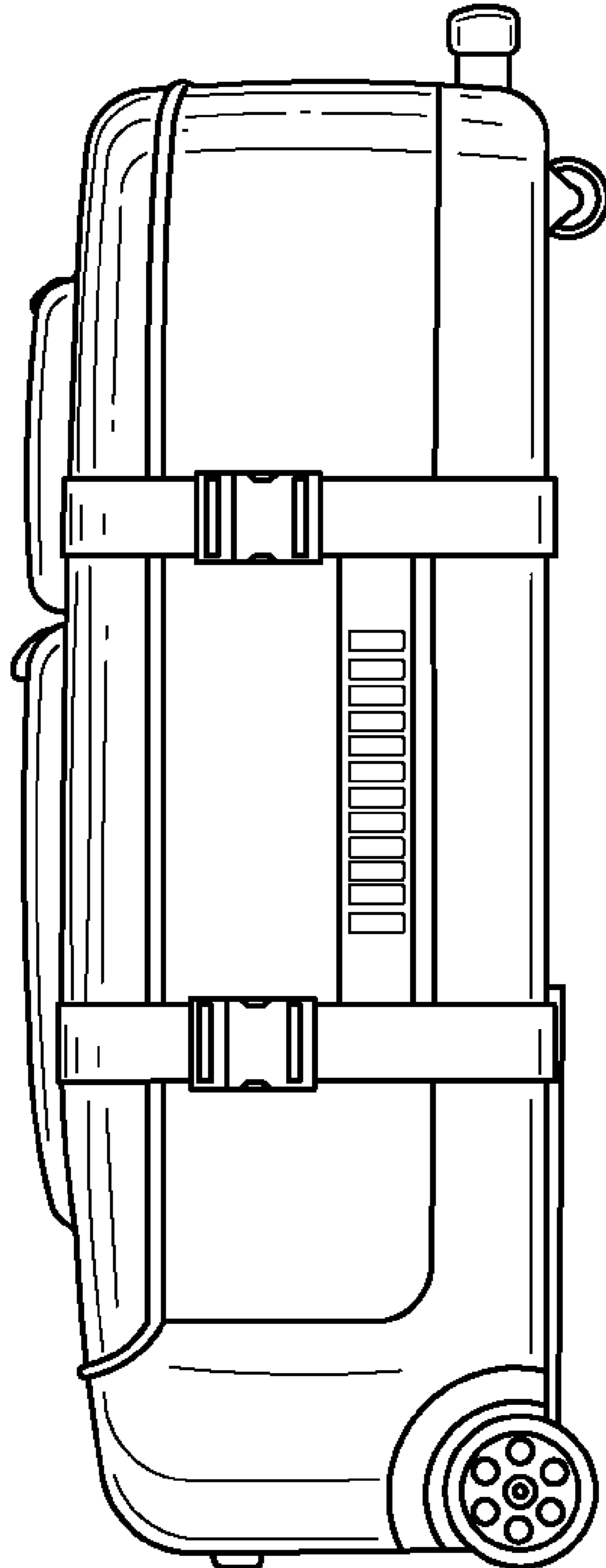


FIG. 10

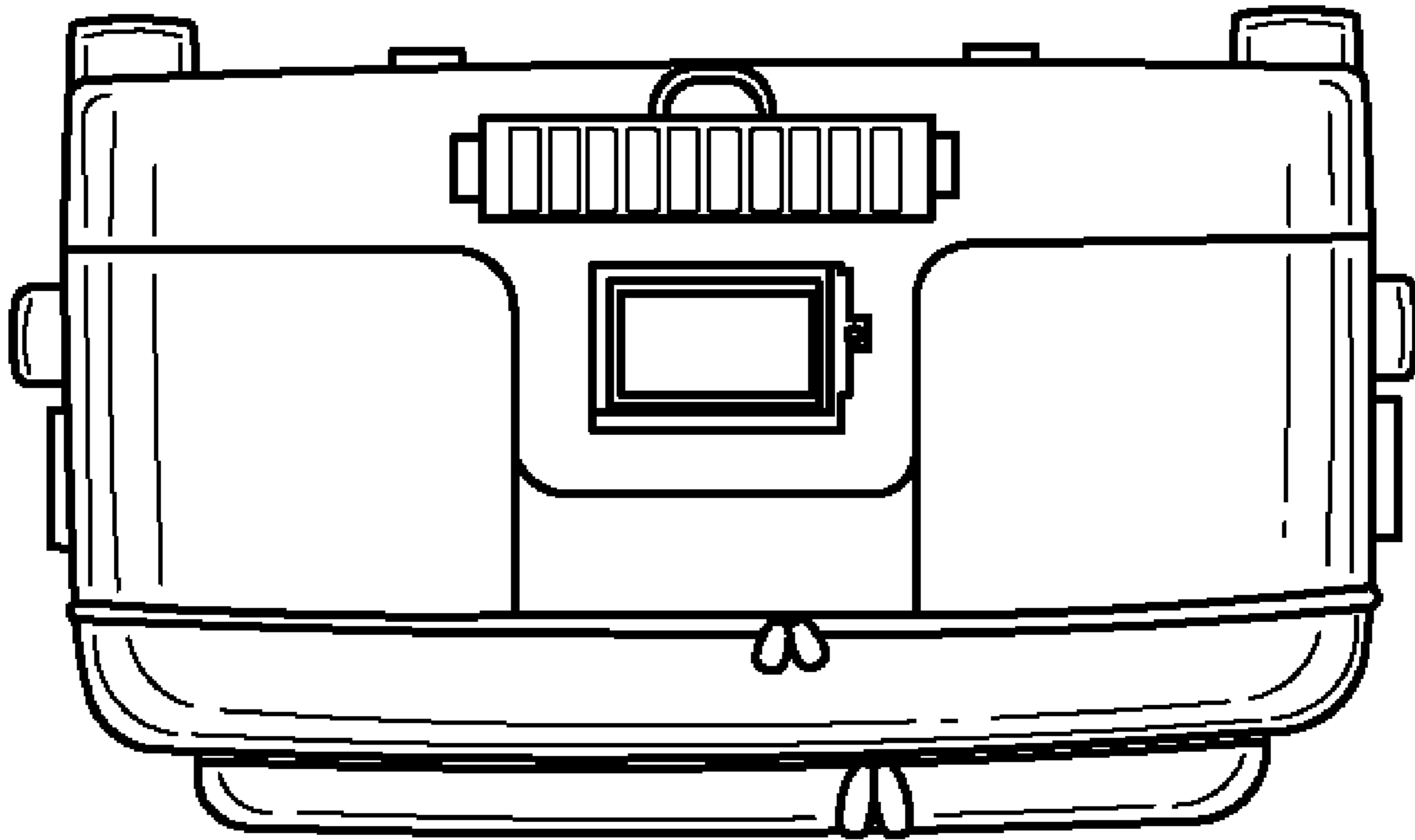


FIG. 11

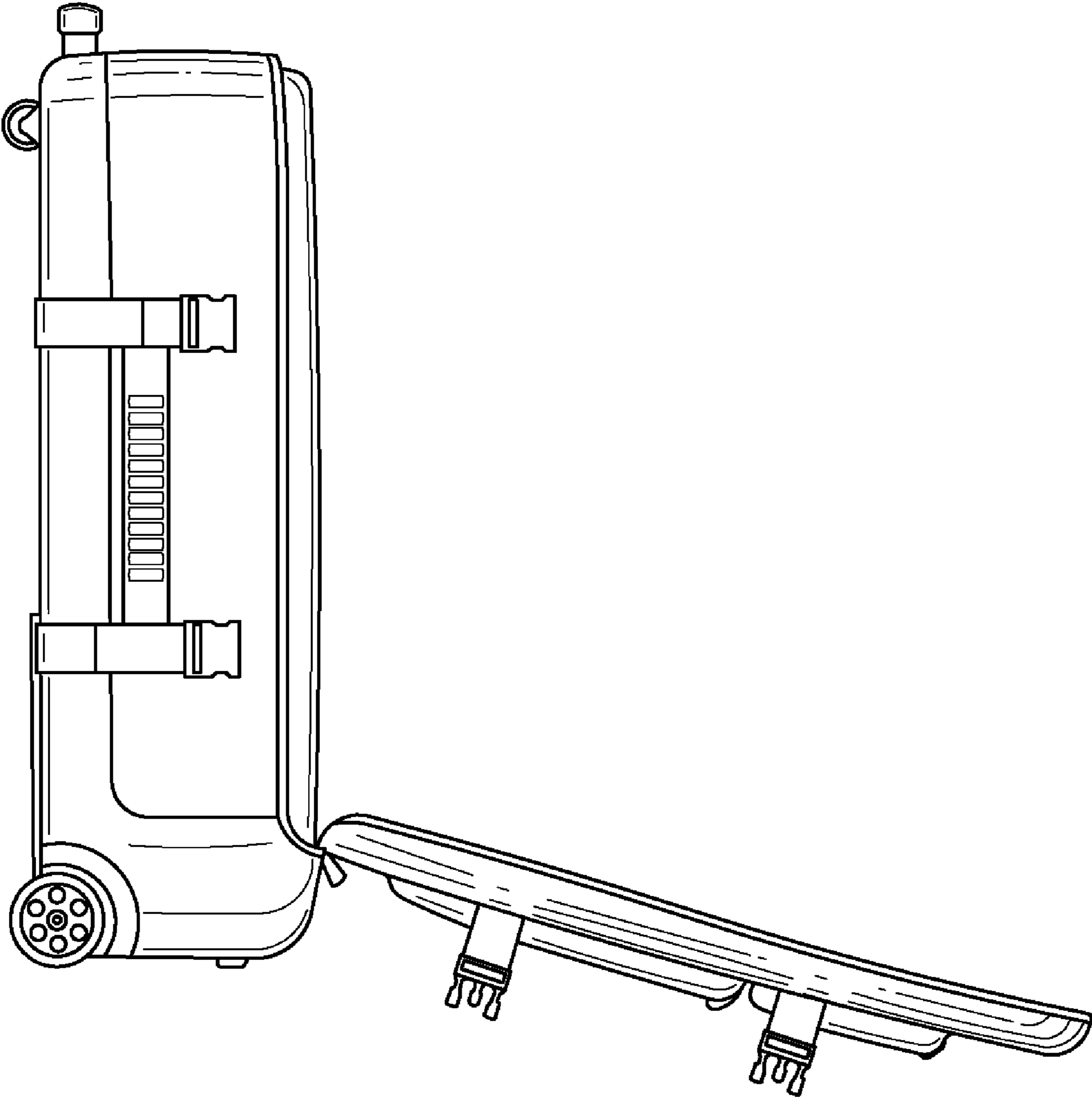


FIG. 12

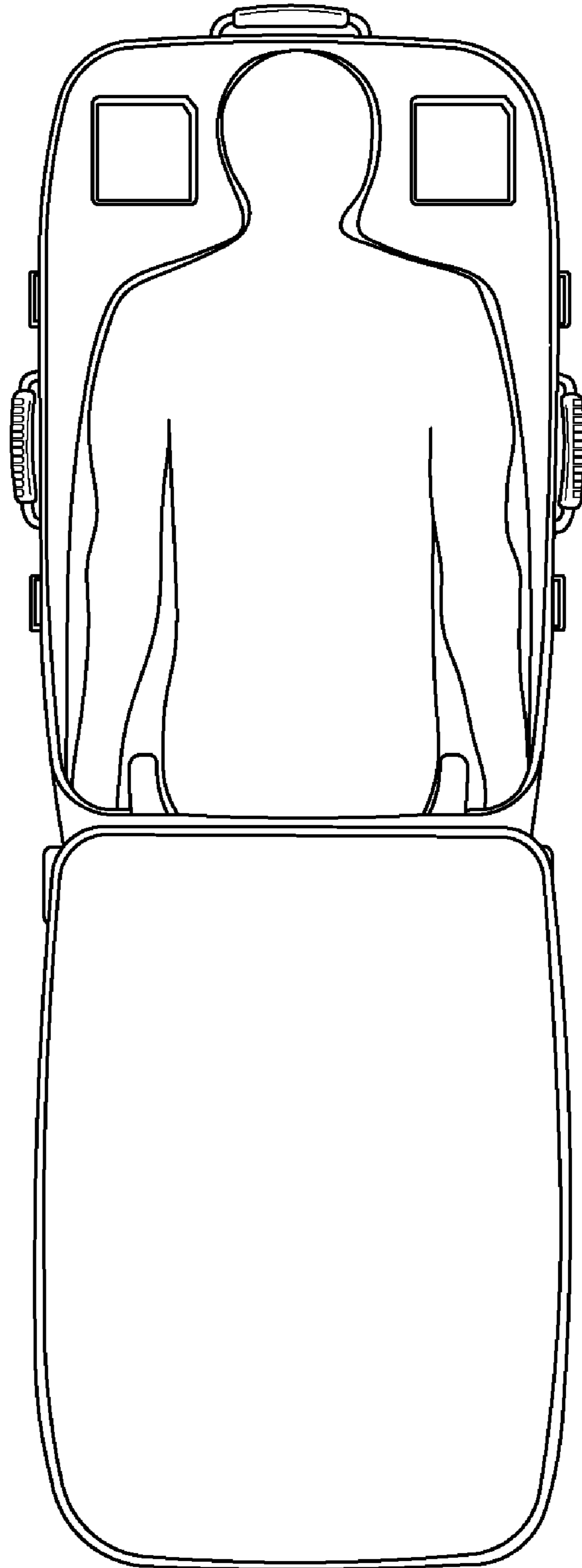


FIG. 13

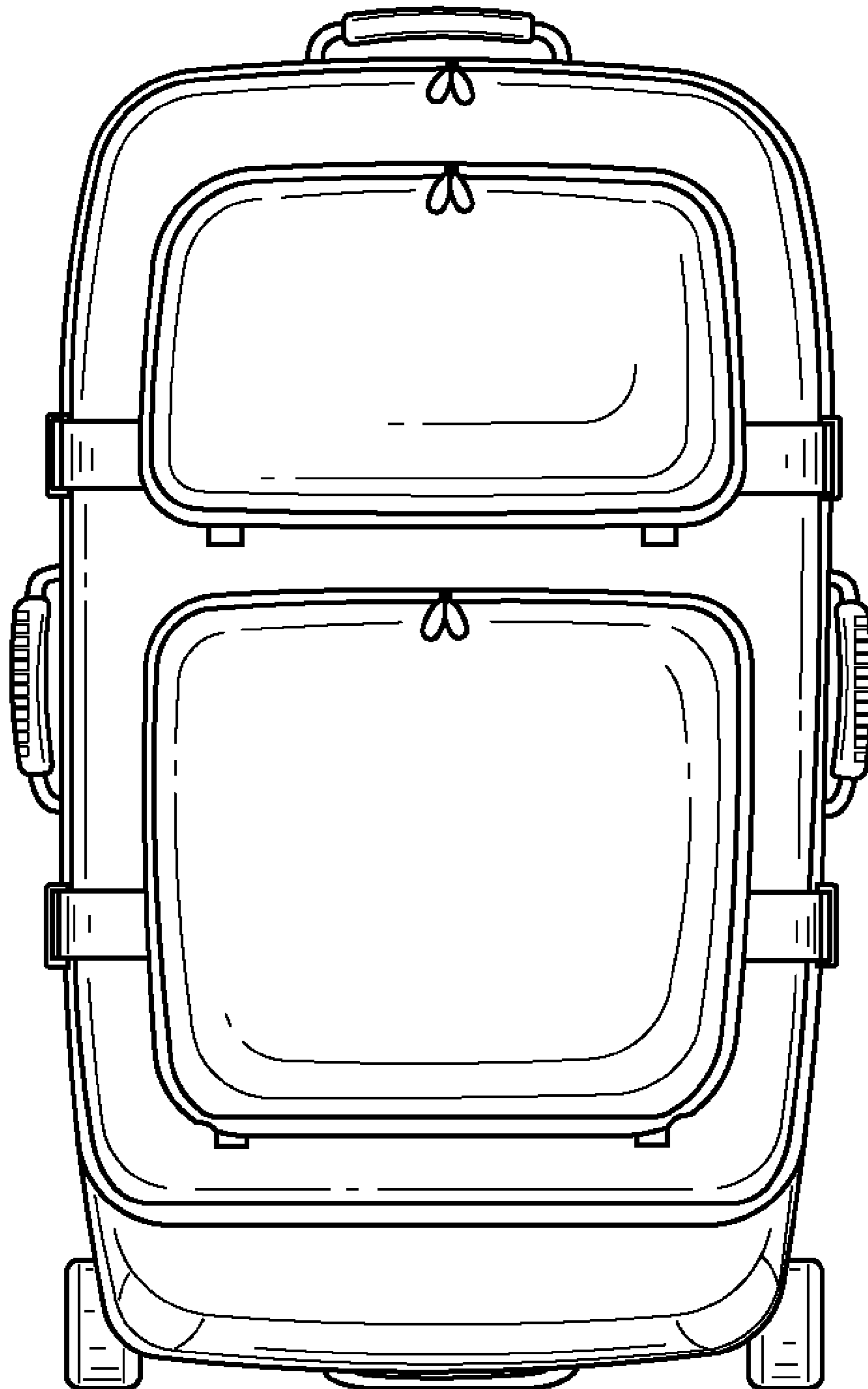


FIG. 14

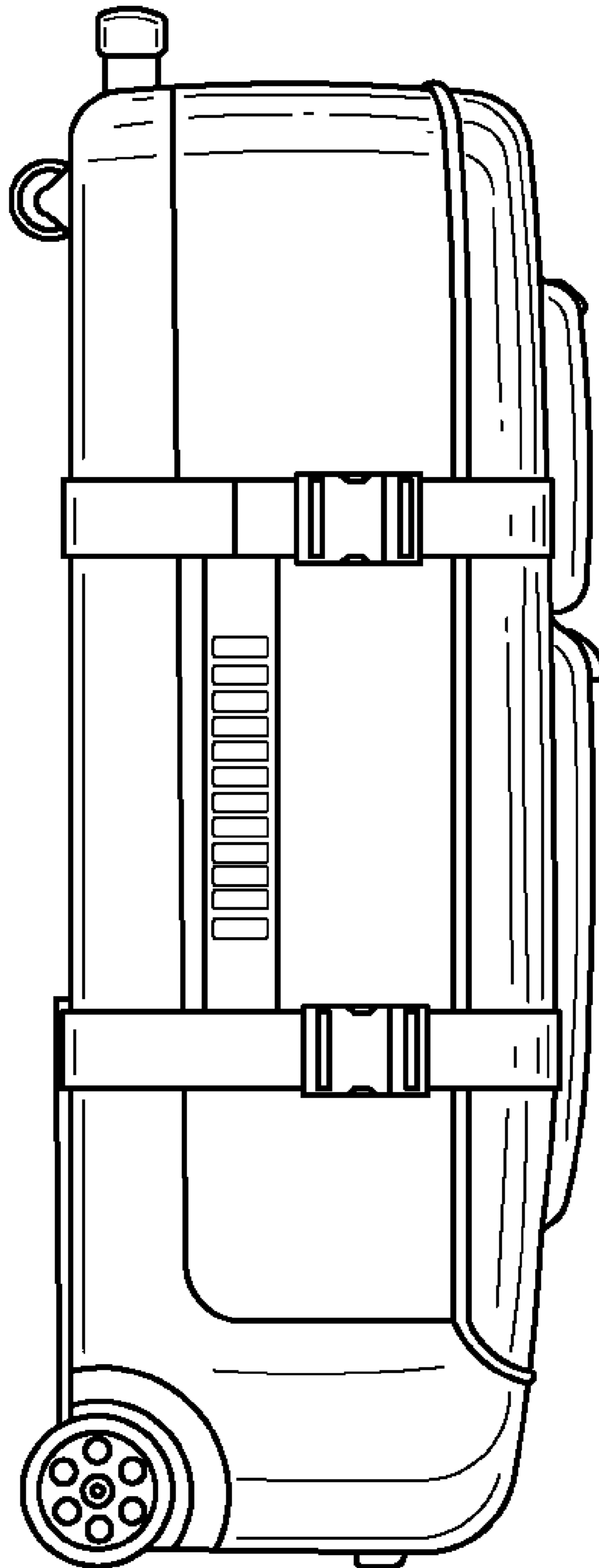


FIG. 15

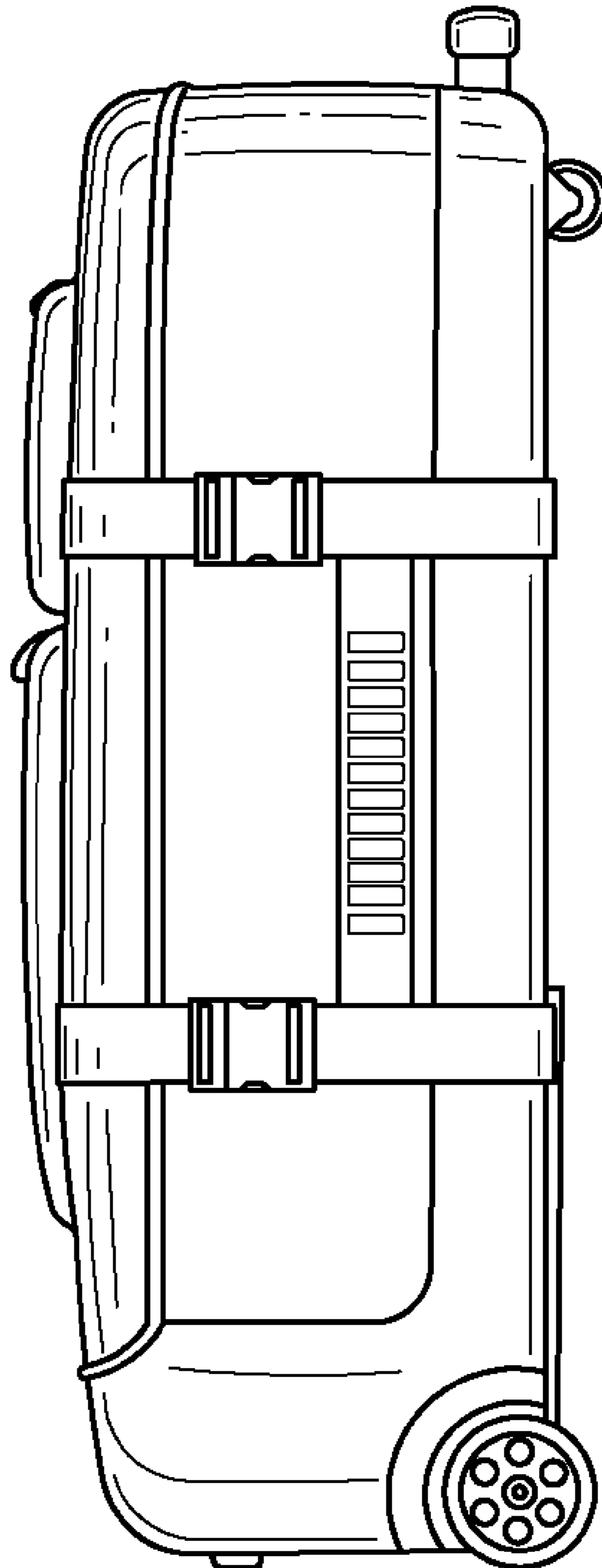


FIG. 16

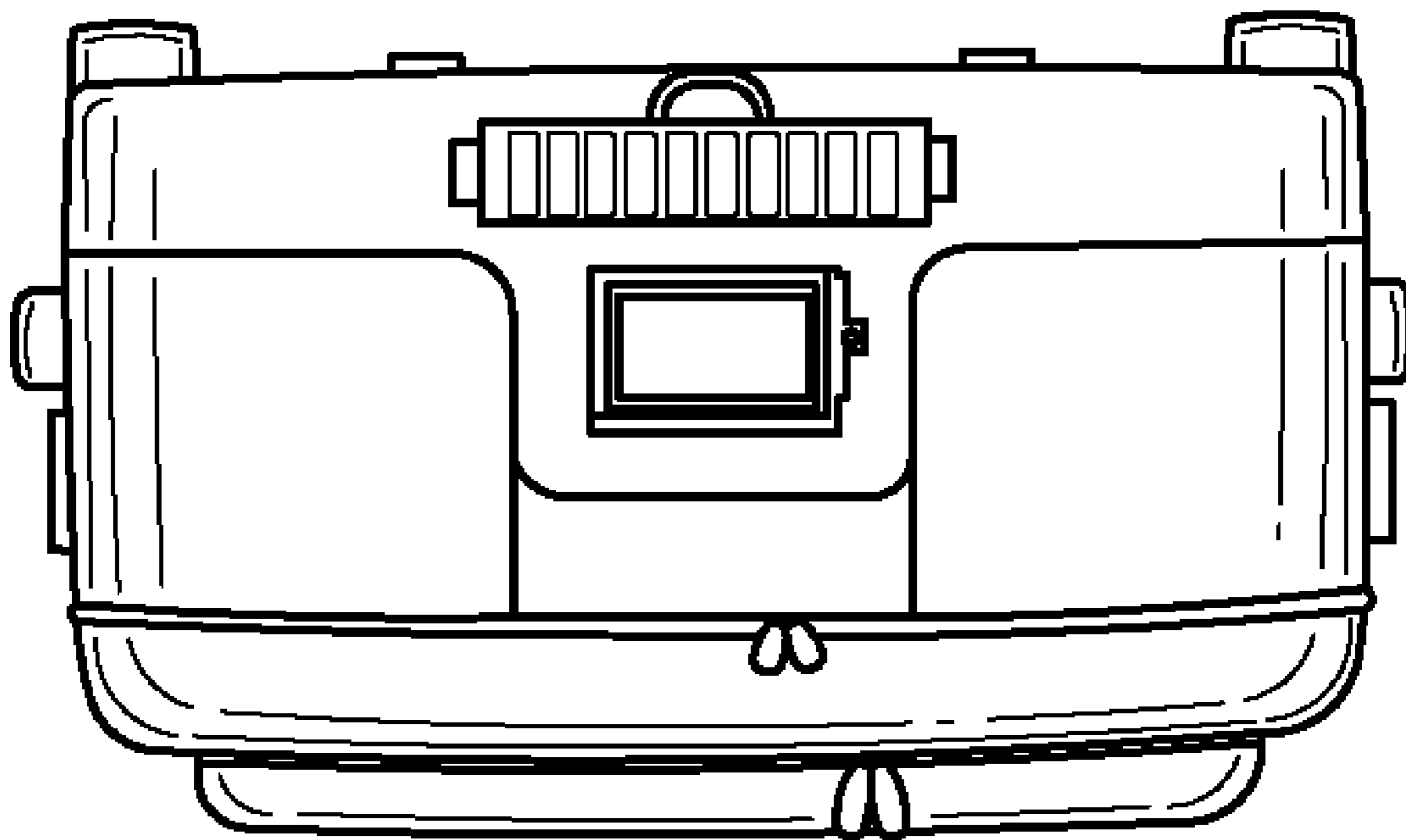


FIG. 17

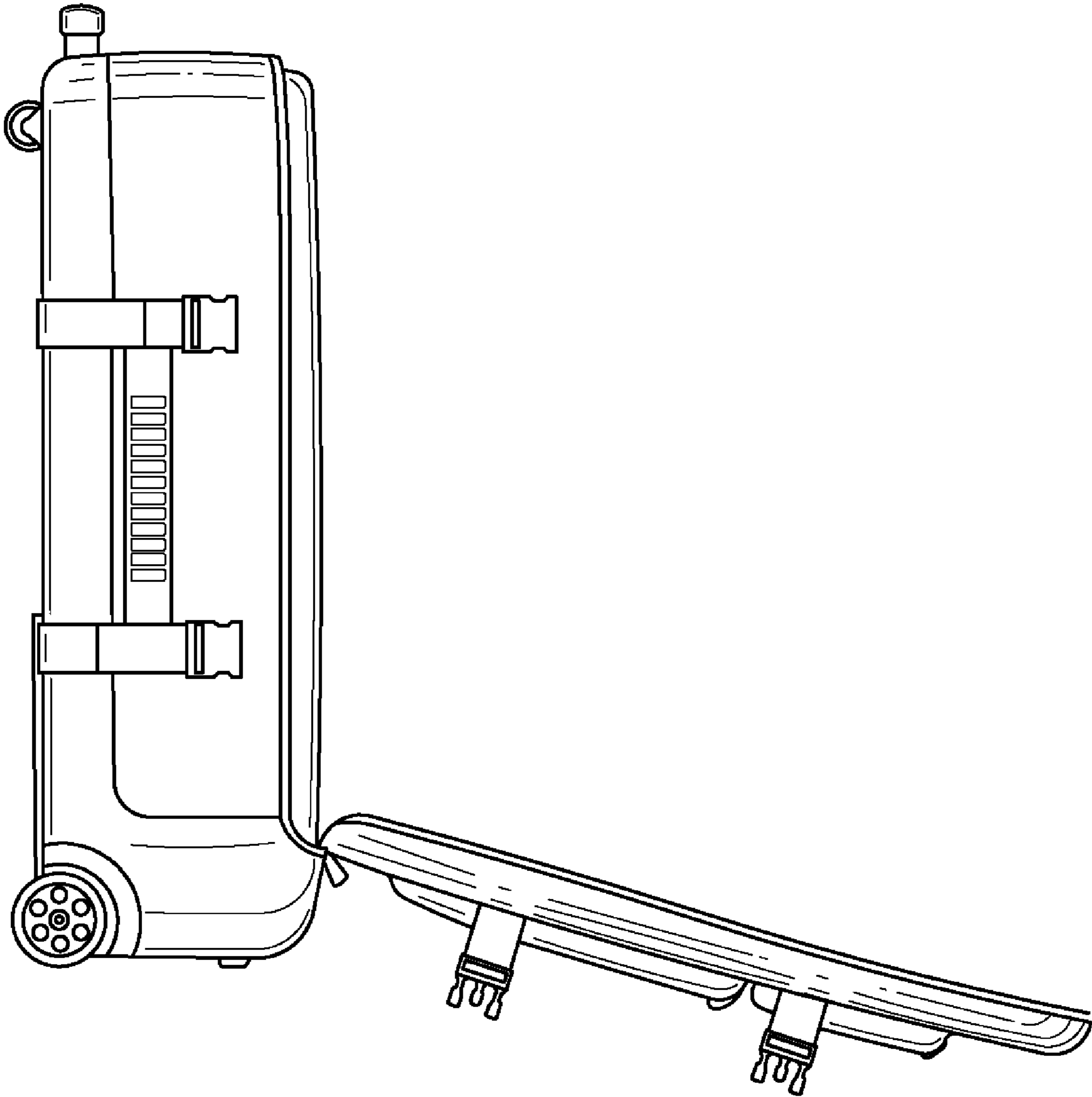


FIG. 18



FIG. 19

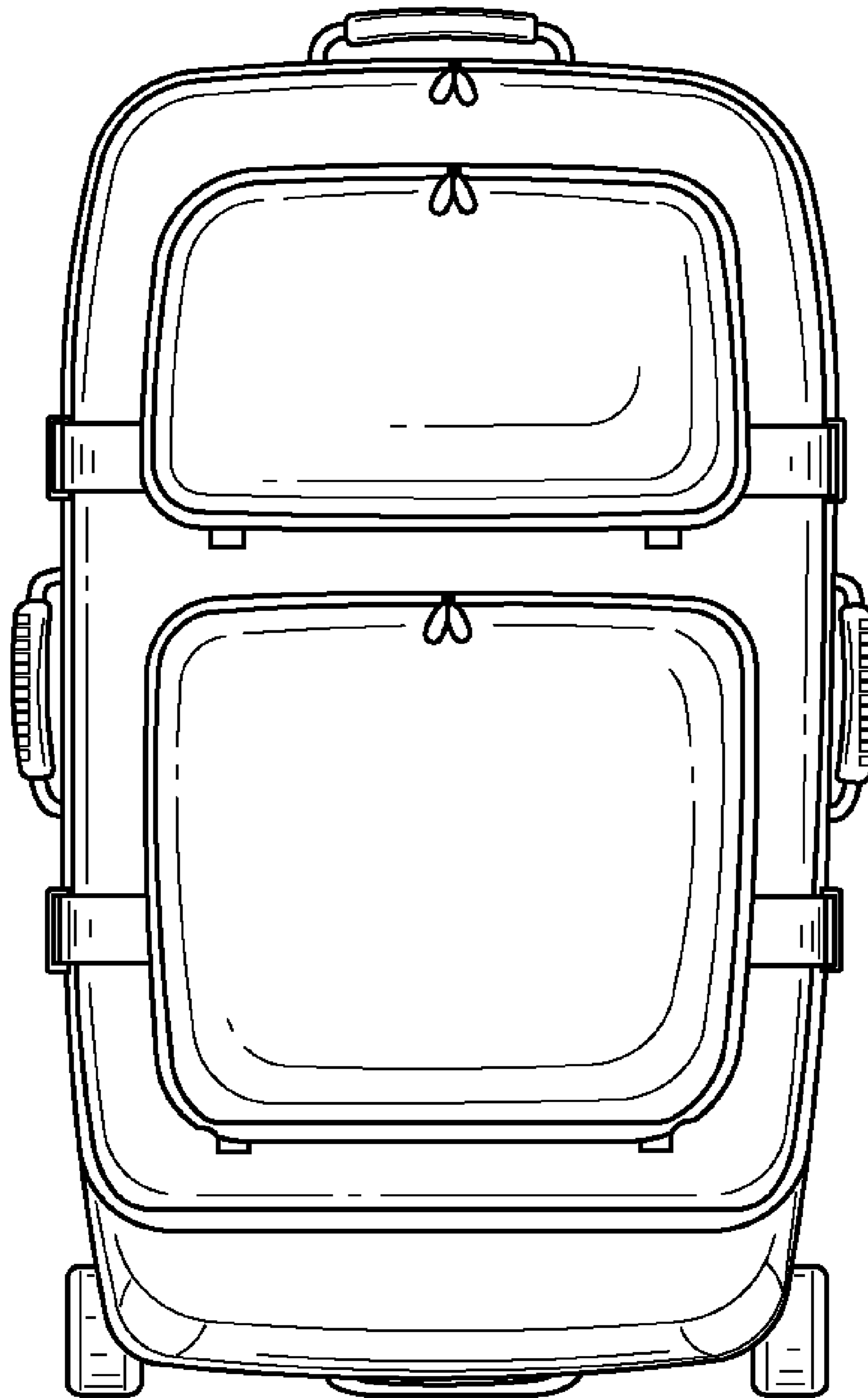


FIG. 20

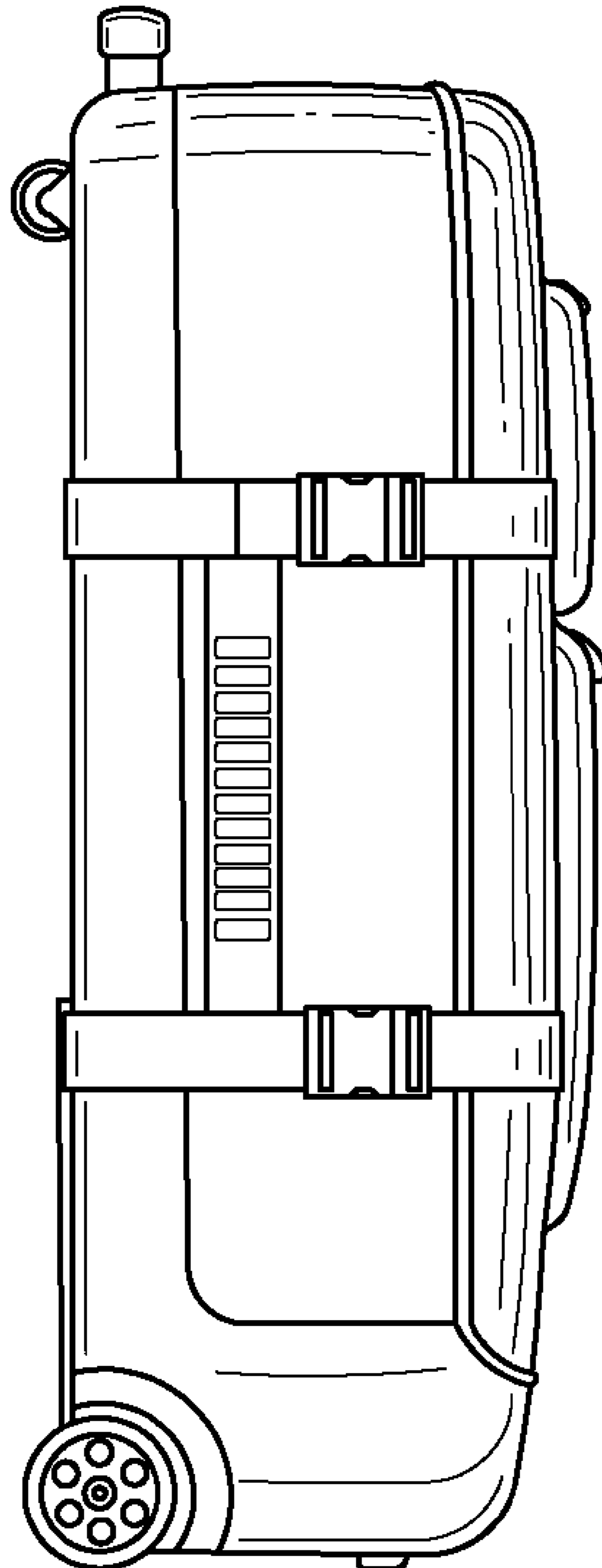


FIG. 21

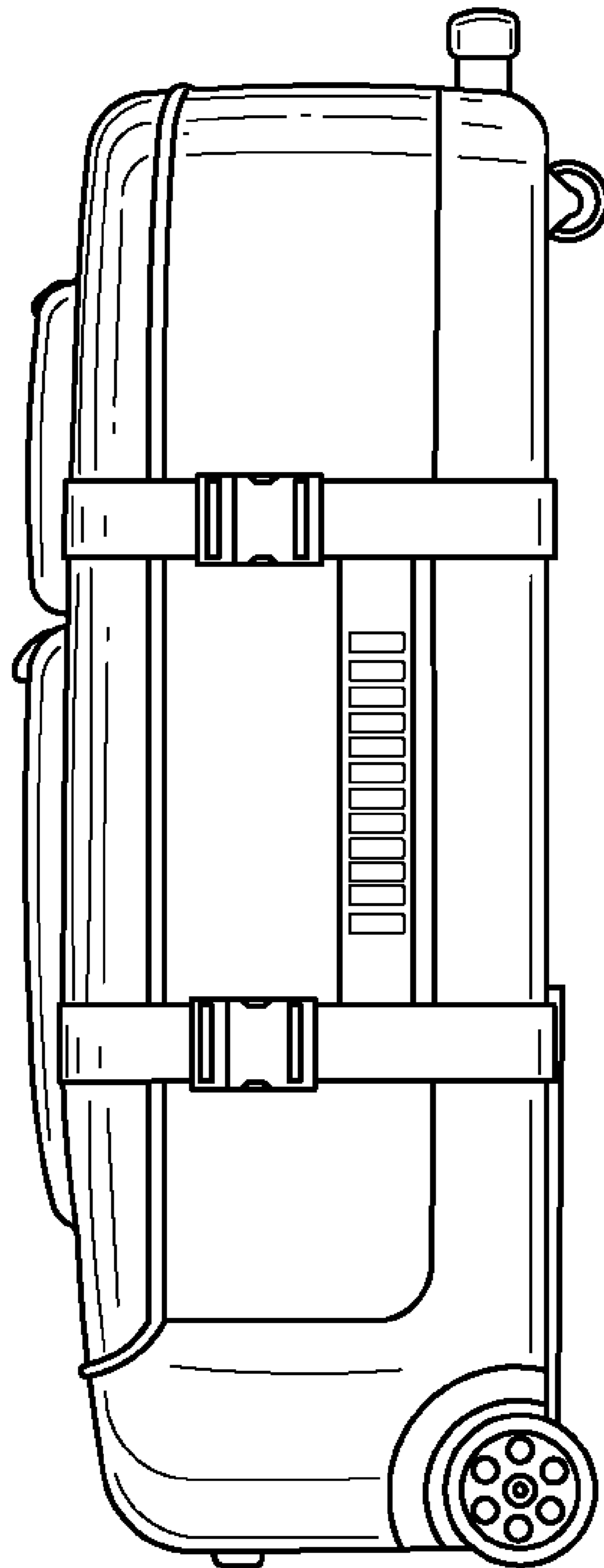


FIG. 22

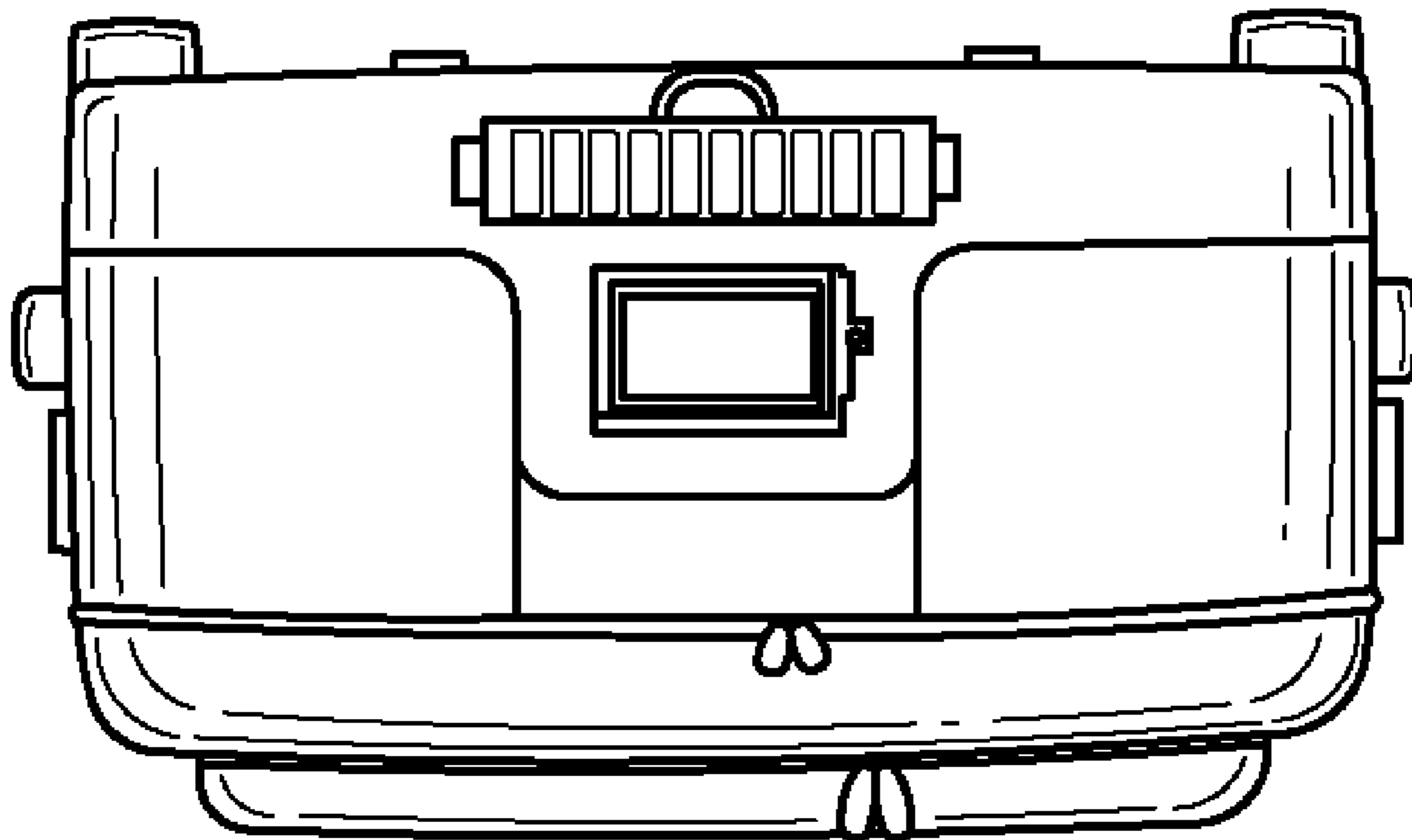


FIG. 23

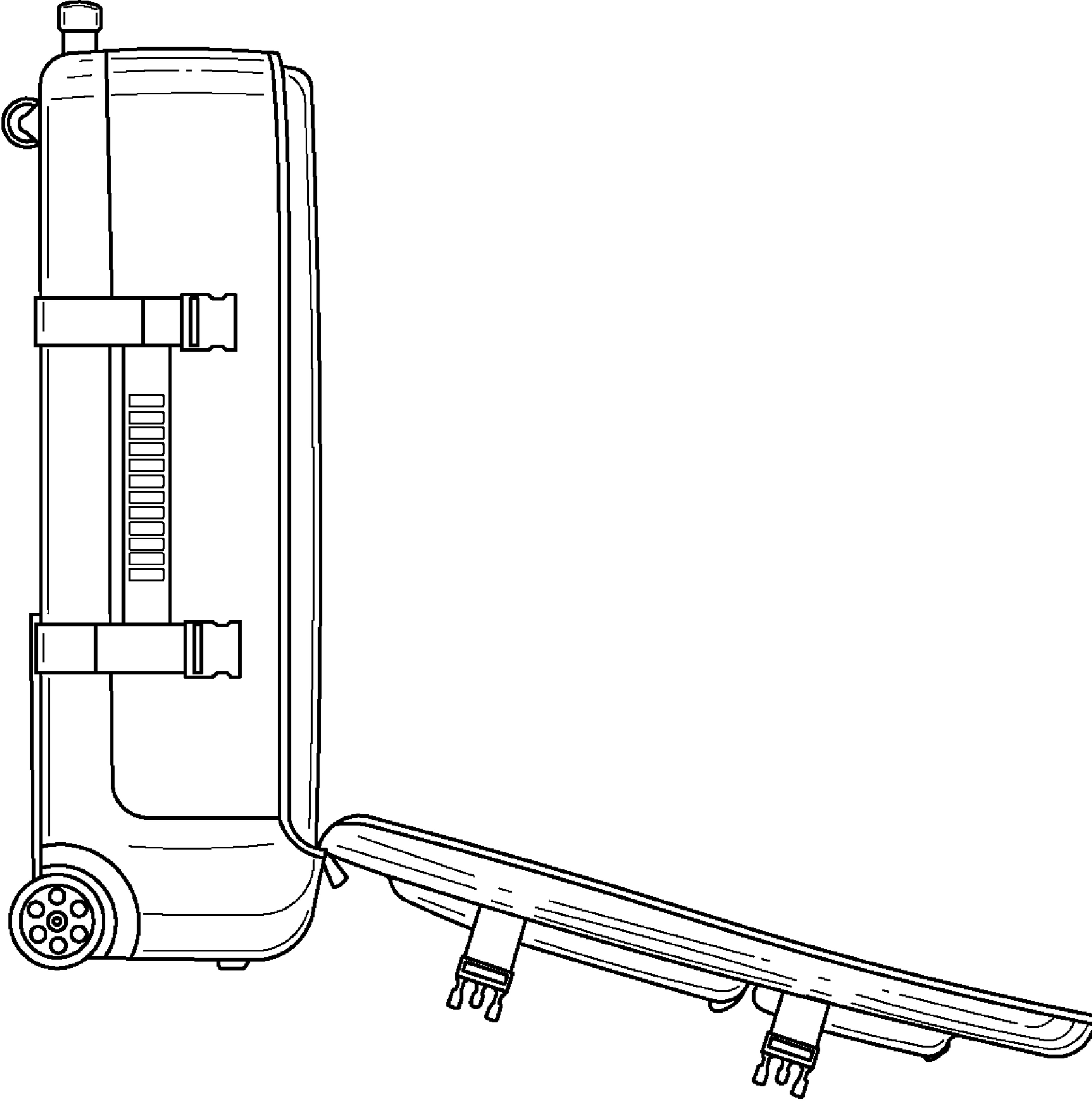


FIG. 24

