



US00D614857S

(12) **United States Design Patent**  
**Collinson et al.**

(10) **Patent No.:** **US D614,857 S**

(45) **Date of Patent:** **\*\* May 4, 2010**

(54) **SHOE TREE**

(75) Inventors: **Marc Gibson Collinson**, Laxey (GB);  
**David Cameron**, London (GB)

(73) Assignee: **Christel Elfriede Kelly**, London (GB)

(\*\*) Term: **14 Years**

(21) Appl. No.: **29/308,558**

(22) Filed: **Jun. 20, 2008**

(30) **Foreign Application Priority Data**

Dec. 21, 2007 (EM) ..... 000849138

(51) **LOC (9) Cl.** ..... **02-99**

(52) **U.S. Cl.** ..... **D2/979**

(58) **Field of Classification Search** ..... D2/896,  
D2/642, 961, 979; 36/43, 44, 69, 88, 92,  
36/145-147, 154, 155, 166, 173, 174, 180  
See application file for complete search history.

(56) **References Cited**

**U.S. PATENT DOCUMENTS**

87,590 A	3/1869	Pool	
293,448 A	2/1884	Glines	
549,480 A	11/1895	Adler	
620,843 A	3/1899	Forbes et al.	
948,093 A	2/1910	Hennessy	
1,271,547 A	7/1918	Delaney	
1,343,891 A *	6/1920	Anderson	12/116.2
1,463,814 A	8/1923	Helmer et al.	
1,482,995 A *	2/1924	Jackson	12/115.6
1,521,048 A	12/1924	Rigante	
1,631,786 A *	6/1927	Battilani	12/115.6
1,711,091 A	4/1929	Godsho	
1,776,831 A *	9/1930	Eddins et al.	12/115.6
1,792,192 A	2/1931	Sordelett	
1,928,596 A *	9/1933	Merz	12/115.6
2,041,695 A	5/1936	Clark et al.	
2,093,247 A	9/1937	Lucas	
2,226,565 A	12/1940	Kristal	
2,236,703 A *	4/1941	Berry, Jr.	12/115.6
2,438,748 A *	3/1948	Greenberg	12/128 R

2,449,861 A *	9/1948	Renner	12/115.6
2,456,756 A *	12/1948	Tietig	12/115.6
2,478,965 A	8/1949	Feldworth	
2,500,917 A	3/1950	Nathan	
2,787,013 A *	4/1957	Moses	12/115.8
2,872,692 A *	2/1959	Moses	12/115.8
2,941,220 A	6/1960	Schick	
3,241,166 A	3/1966	Jonas	
D212,576 S *	10/1968	Wiles	D2/979

(Continued)

**FOREIGN PATENT DOCUMENTS**

DE 1927928 11/1965

(Continued)

*Primary Examiner*—Stella M Reid  
*Assistant Examiner*—Rashida C McCoy  
(74) *Attorney, Agent, or Firm*—Lawrence G. Fridman

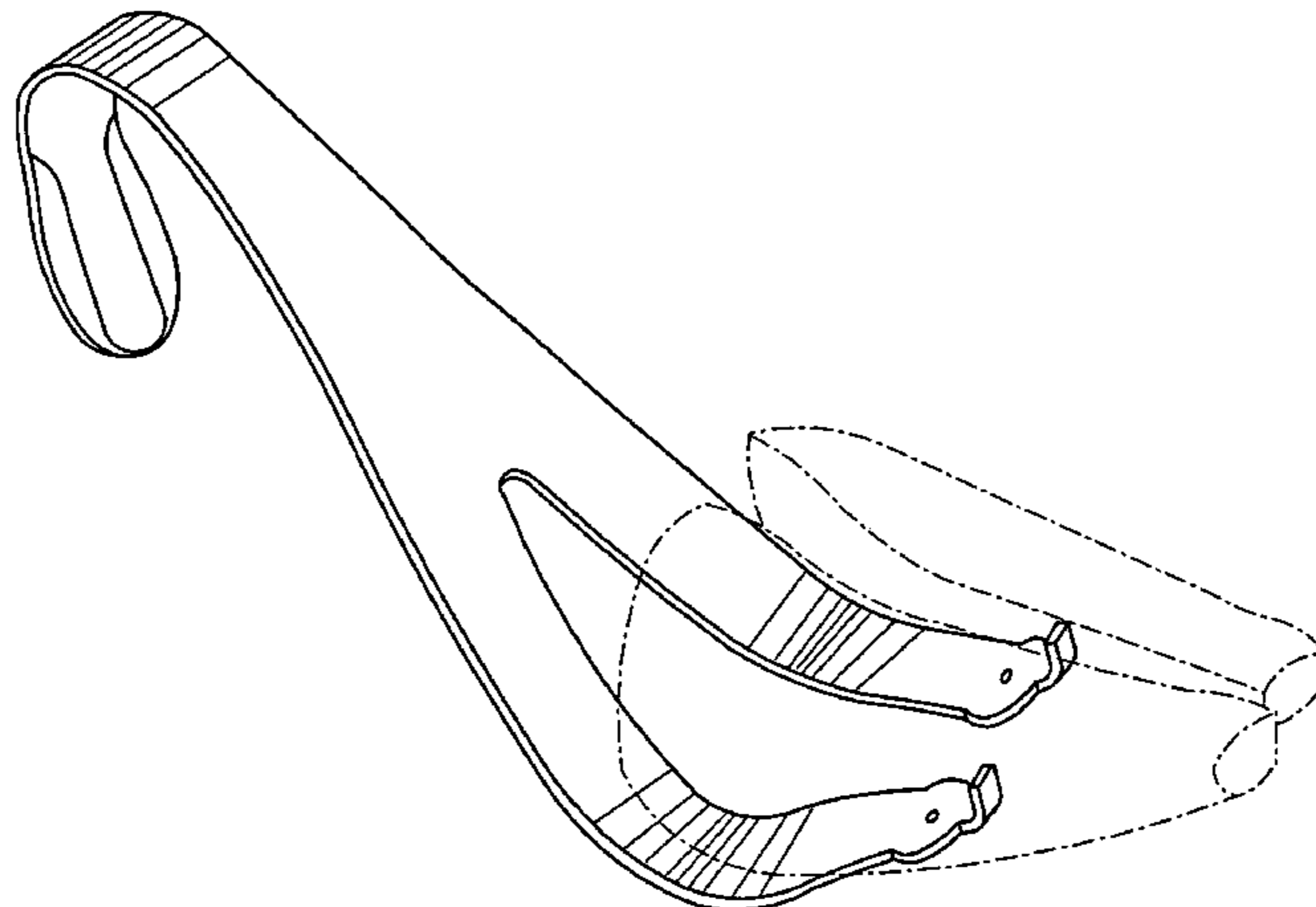
(57) **CLAIM**

The ornamental design for a shoe tree, as shown and described.

**DESCRIPTION**

FIG. 1: is a perspective view showing a shoe tree according to our new design;  
FIG. 2: is a top plan view thereof;  
FIG. 3: is a bottom plan view thereof;  
FIG. 4: is a rear elevational view thereof;  
FIG. 5: is a front elevational view thereof;  
FIG. 6: is a right-hand side elevational view thereof; and,  
FIG. 7: is a left-hand side elevational view thereof.  
The broken line showing of split toe portion is included for the purpose of illustrating environmental structure and forms no part of the claimed design.

**1 Claim, 4 Drawing Sheets**



# US D614,857 S

Page 2

---

U.S. PATENT DOCUMENTS						
3,705,433	A	12/1972	Stoddard et al.	EP	0763334 A1	9/1995
D293,277	S *	12/1987	Schmid .....	FR	2590775	11/1985
			D2/979	GB	229921	3/1925
5,018,233	A	5/1991	Waterfield et al.	GB	383970	6/1931
5,487,198	A	1/1996	Mueller et al.	GB	385900	1/1933
6,000,081	A	12/1999	Sheridan	GB	653299	12/1948
2003/0177593	A1	9/2003	Chang	GB	1001578	8/1965

## FOREIGN PATENT DOCUMENTS

DE G 83 13 093.4 12/1983

\* cited by examiner

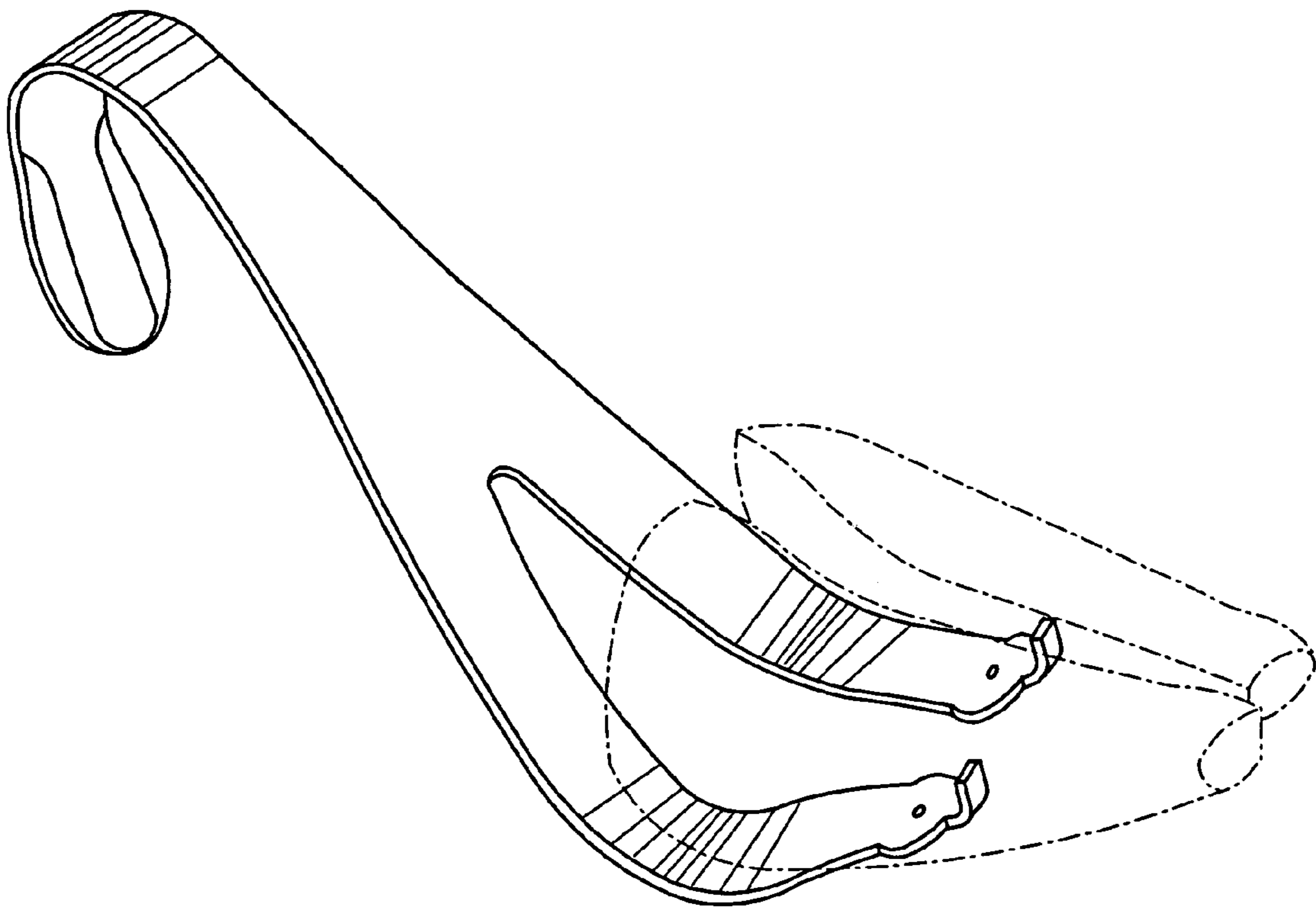


FIG. 1

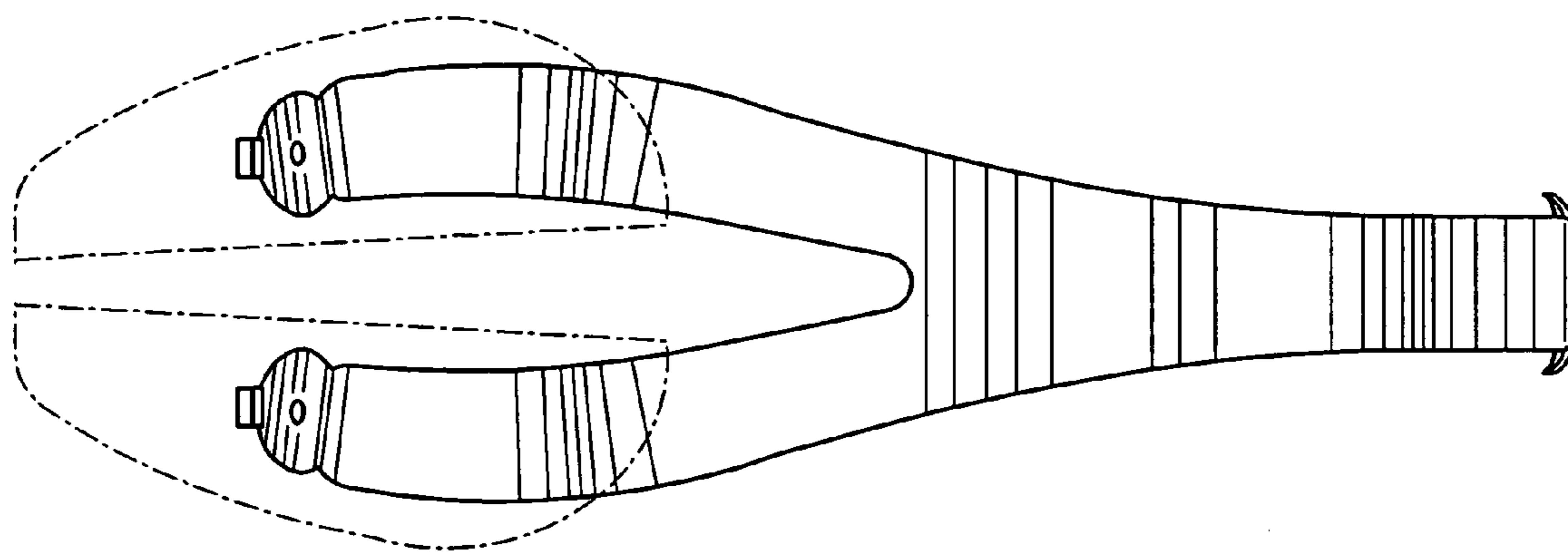


FIG. 2

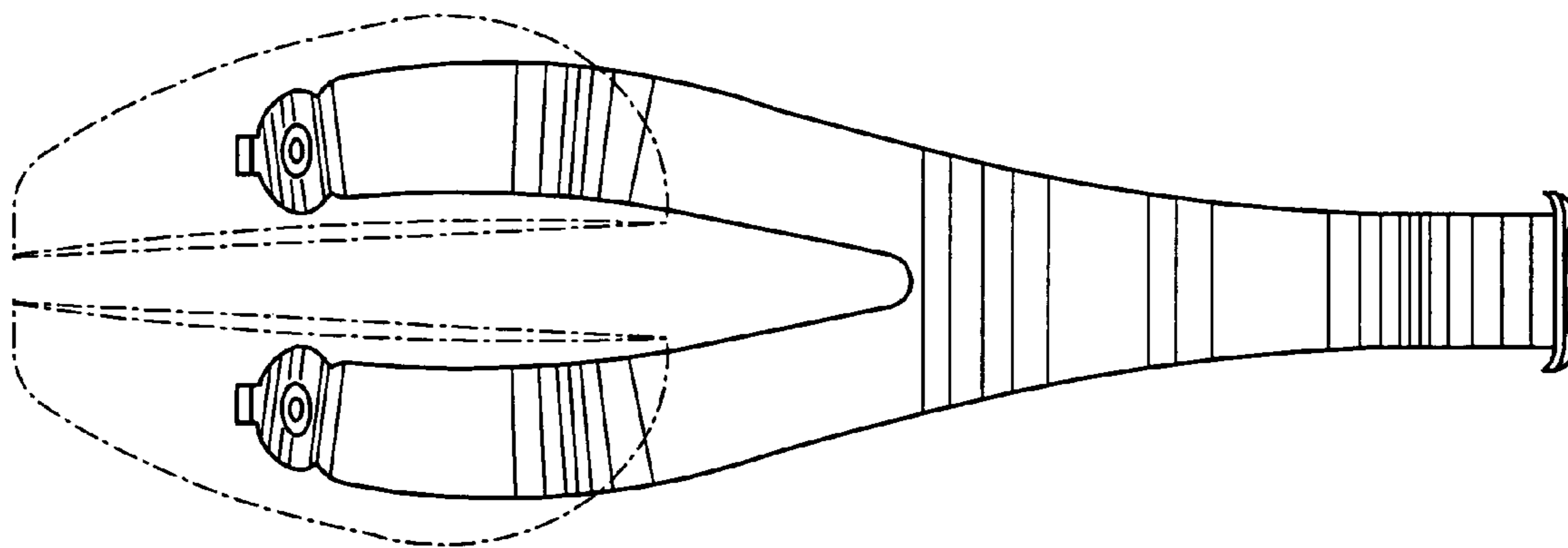


FIG. 3

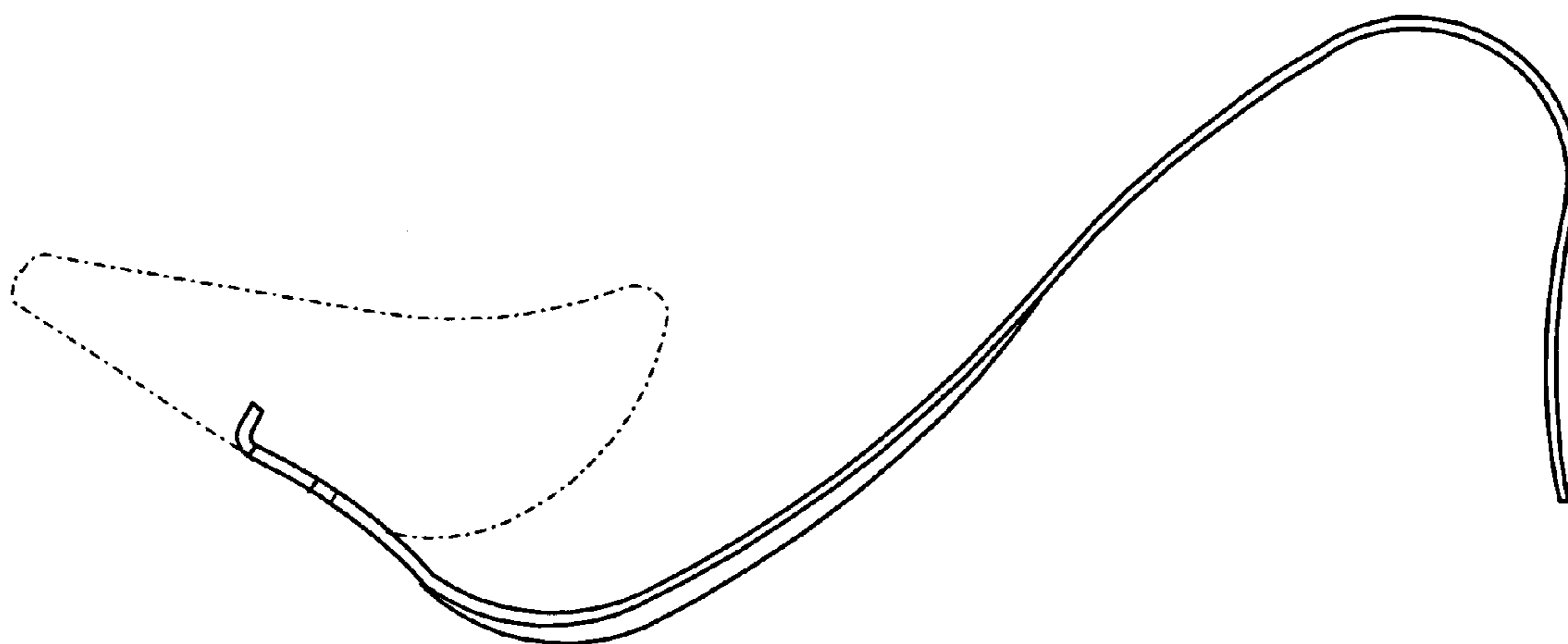


FIG. 4

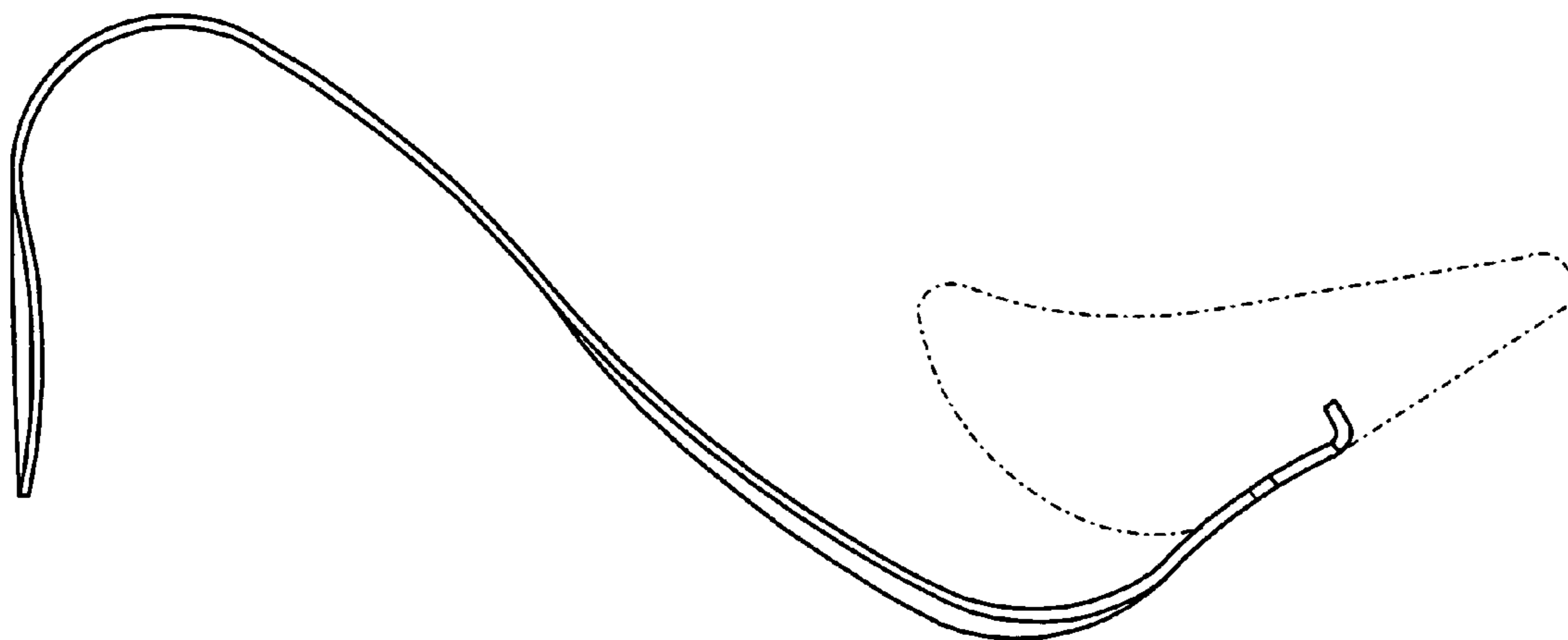


FIG. 5

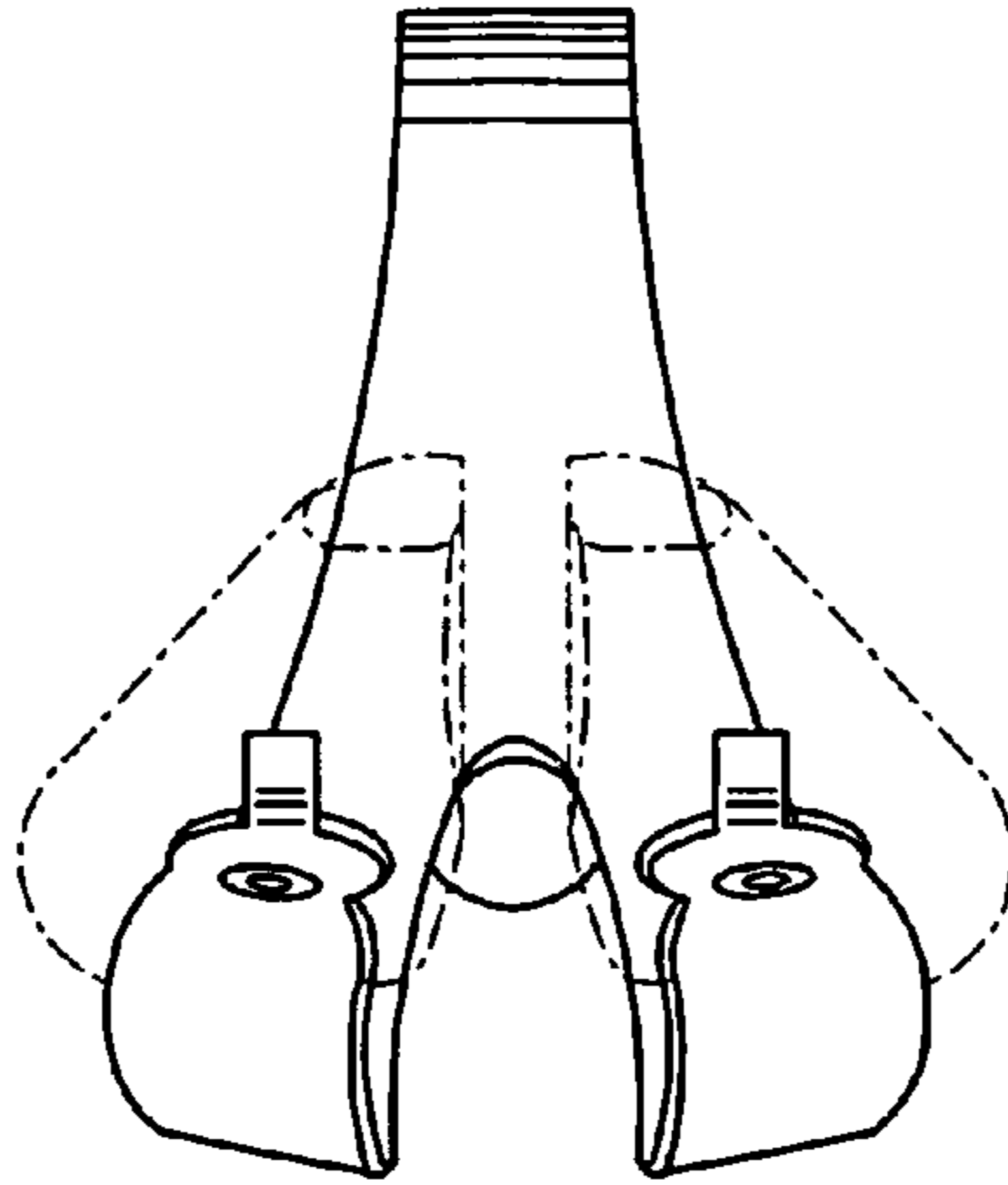


FIG. 6

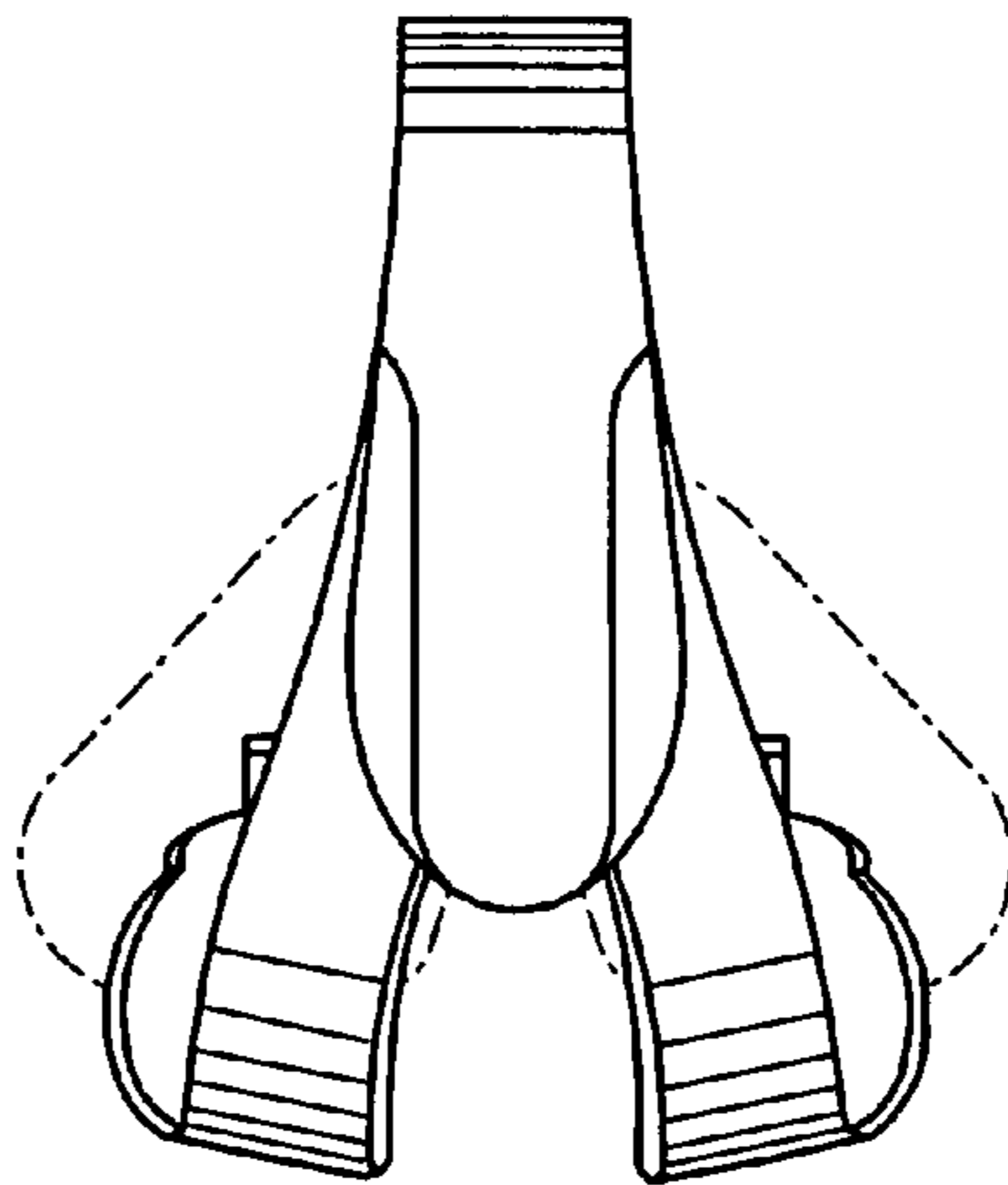


FIG. 7