



US00D614853S

(12) **United States Design Patent**  
**Warren et al.**

(10) **Patent No.:** **US D614,853 S**  
(45) **Date of Patent:** **\*\* May 4, 2010**

- (54) **FLAP ON SHOE TONGUE**
- (75) Inventors: **Patrick Warren**, Los Angeles, CA (US);  
**Tony Hardman**, Redondo Beach, CA (US)
- (73) Assignee: **Skechers U.S.A., Inc. II**, Manhattan Beach, CA (US)
- (\*\*) Term: **14 Years**
- (21) Appl. No.: **29/346,058**
- (22) Filed: **Oct. 26, 2009**
- (51) **LOC (9) Cl.** ..... **02-99**
- (52) **U.S. Cl.** ..... **D2/975; D2/946**
- (58) **Field of Classification Search** ..... D2/896,  
D2/902, 906-908, 943, 944, 969, 972-974,  
D2/975; 36/45-49, 50.1, 77 M, 77 R, 83,  
36/88, 113, 114, 126-131  
See application file for complete search history.

- D509,348 S \* 9/2005 Brewer ..... D2/972
- D511,614 S \* 11/2005 Gerber ..... D2/972
- D511,884 S \* 11/2005 Hatfield ..... D2/972
- 7,065,906 B2 6/2006 Jones
- D534,712 S \* 1/2007 Darby, II ..... D2/896
- D535,092 S \* 1/2007 Edwards ..... D2/969
- D536,164 S \* 2/2007 Wilkenfeld ..... D2/969
- D548,442 S \* 8/2007 Hulbert ..... D2/969
- D560,893 S \* 2/2008 Belley et al. .... D2/969
- D561,445 S \* 2/2008 Belley et al. .... D2/969
- D561,448 S \* 2/2008 Hickman ..... D2/969
- D561,449 S \* 2/2008 James ..... D2/969
- D576,382 S \* 9/2008 Hickman ..... D2/902
- 7,526,881 B2 5/2009 Jones et al.
- D596,383 S \* 7/2009 Morris ..... D2/907
- D598,188 S \* 8/2009 Walton ..... D2/969
- 2006/0000116 A1 1/2006 Brewer
- 2009/0083998 A1 4/2009 Luedecke et al.

\* cited by examiner

*Primary Examiner*—Dominic Simone  
(74) *Attorney, Agent, or Firm*—Marshall A. Lerner; Marvin H. Kleinberg; Kleinberg & Lerner, LLP

(56) **References Cited**  
U.S. PATENT DOCUMENTS

- D143,955 S 2/1946 Diamant
- D251,036 S \* 2/1979 Torrance ..... D2/906
- D272,961 S 3/1984 Clatvit
- D274,291 S 6/1984 Migdow
- D299,884 S \* 2/1989 Brown et al. .... D2/974
- 4,845,864 A 7/1989 Corliss
- D341,474 S 11/1993 Winters et al.
- D346,061 S 4/1994 Teague
- D347,310 S 5/1994 Johnson et al.
- 5,381,609 A 1/1995 Hieblinger
- D377,410 S \* 1/1997 Crowley ..... D2/946
- D388,244 S \* 12/1997 Serna ..... D2/972
- D420,208 S 2/2000 Birkenstock
- D431,713 S 10/2000 Wilson
- D439,734 S 4/2001 Wilson
- 6,729,058 B2 5/2004 Ferguson
- 6,763,614 B2 7/2004 Smith
- D507,402 S \* 7/2005 Laberge ..... D2/972

(57) **CLAIM**

The ornamental design for a flap on shoe tongue, as shown and described.

**DESCRIPTION**

FIG. 1 is a perspective view of a flap on shoe tongue embodying my new design;  
FIG. 2 is a left side view thereof;  
FIG. 3 is a right side view thereof;  
FIG. 4 is a top plan view thereof; and,  
FIG. 5 is a front side view thereof.

The broken line showing of the shoe in the figures is for illustrative purposes only and forms no part of the claimed invention.

**1 Claim, 3 Drawing Sheets**

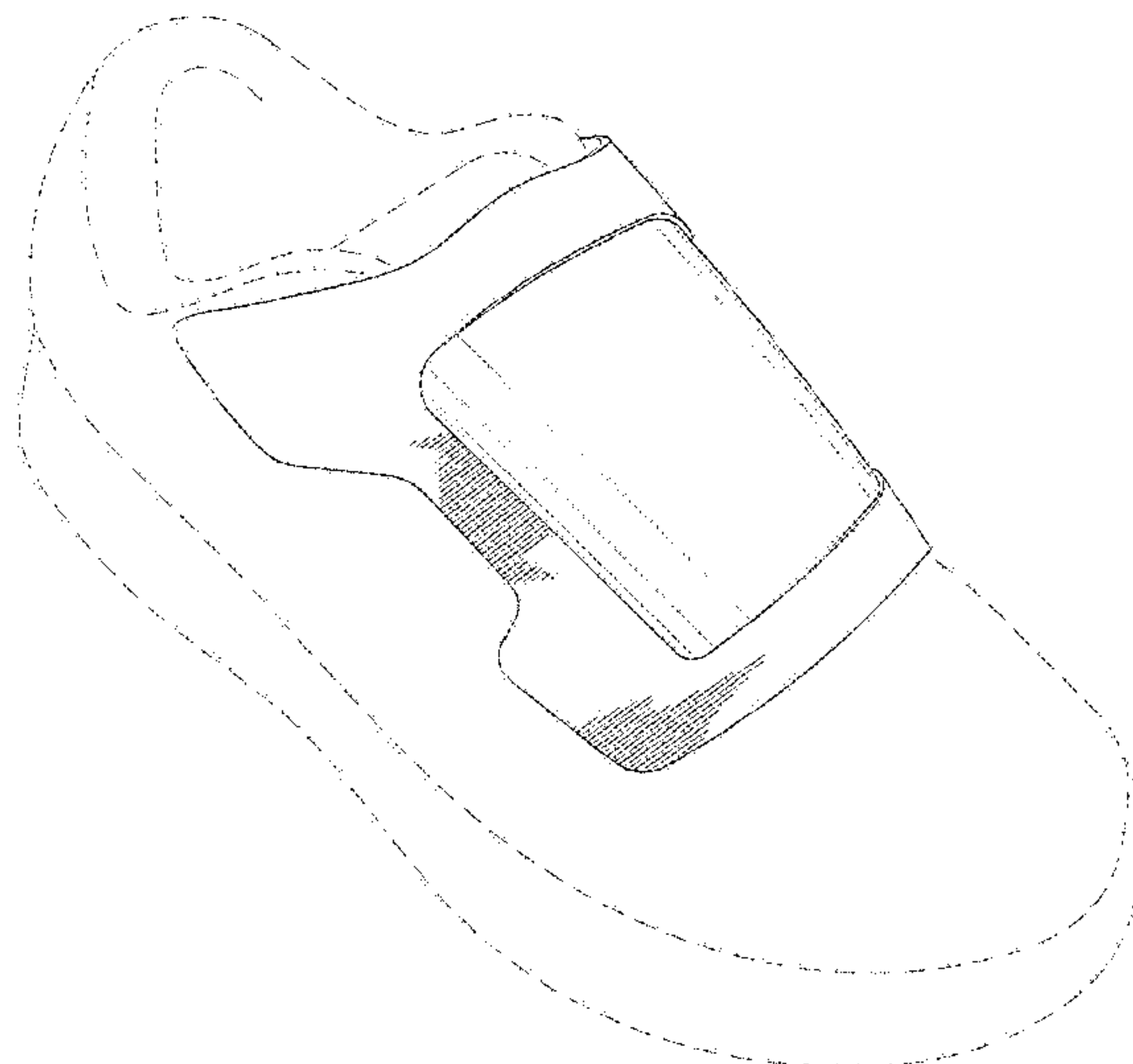
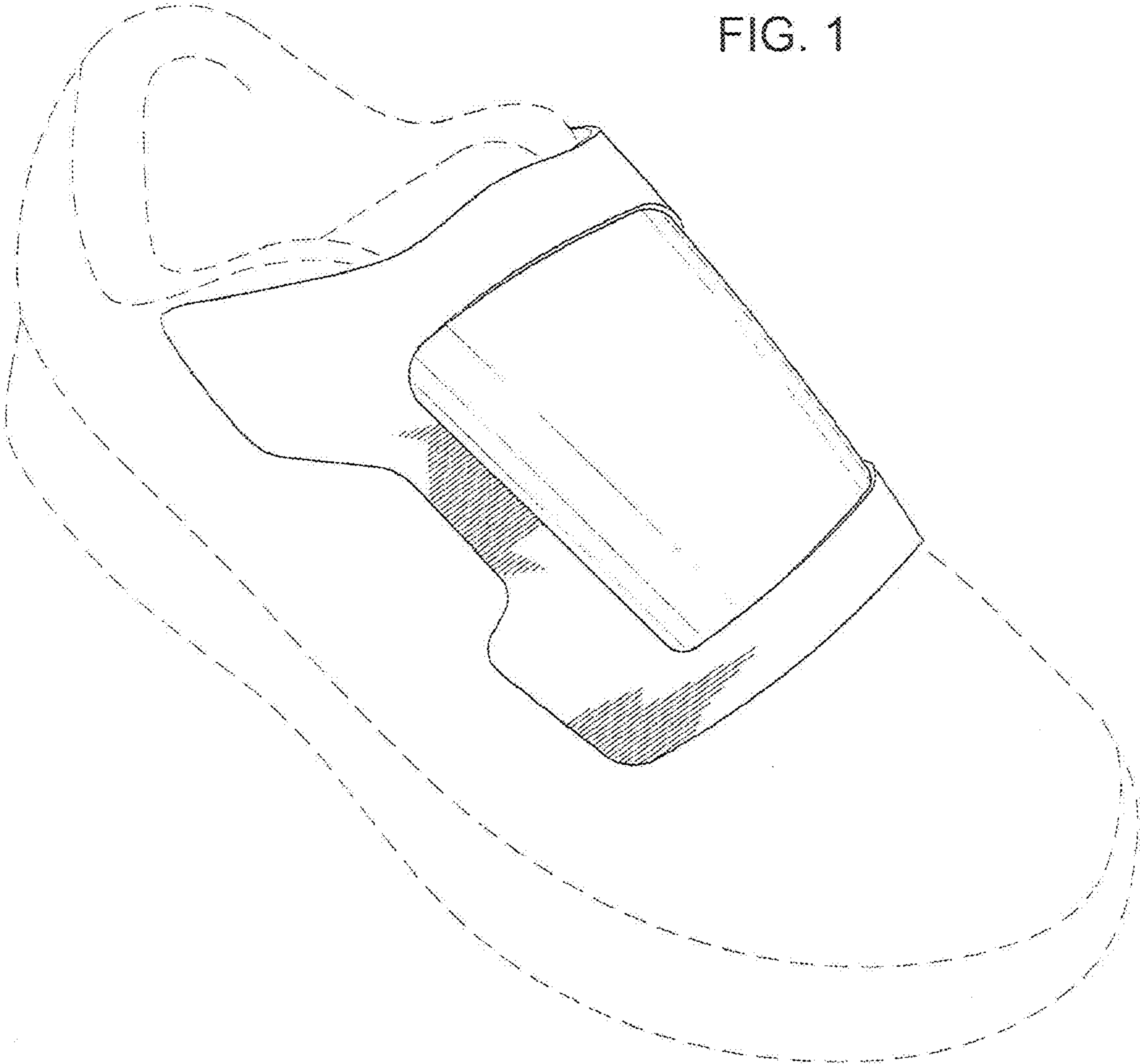


FIG. 1



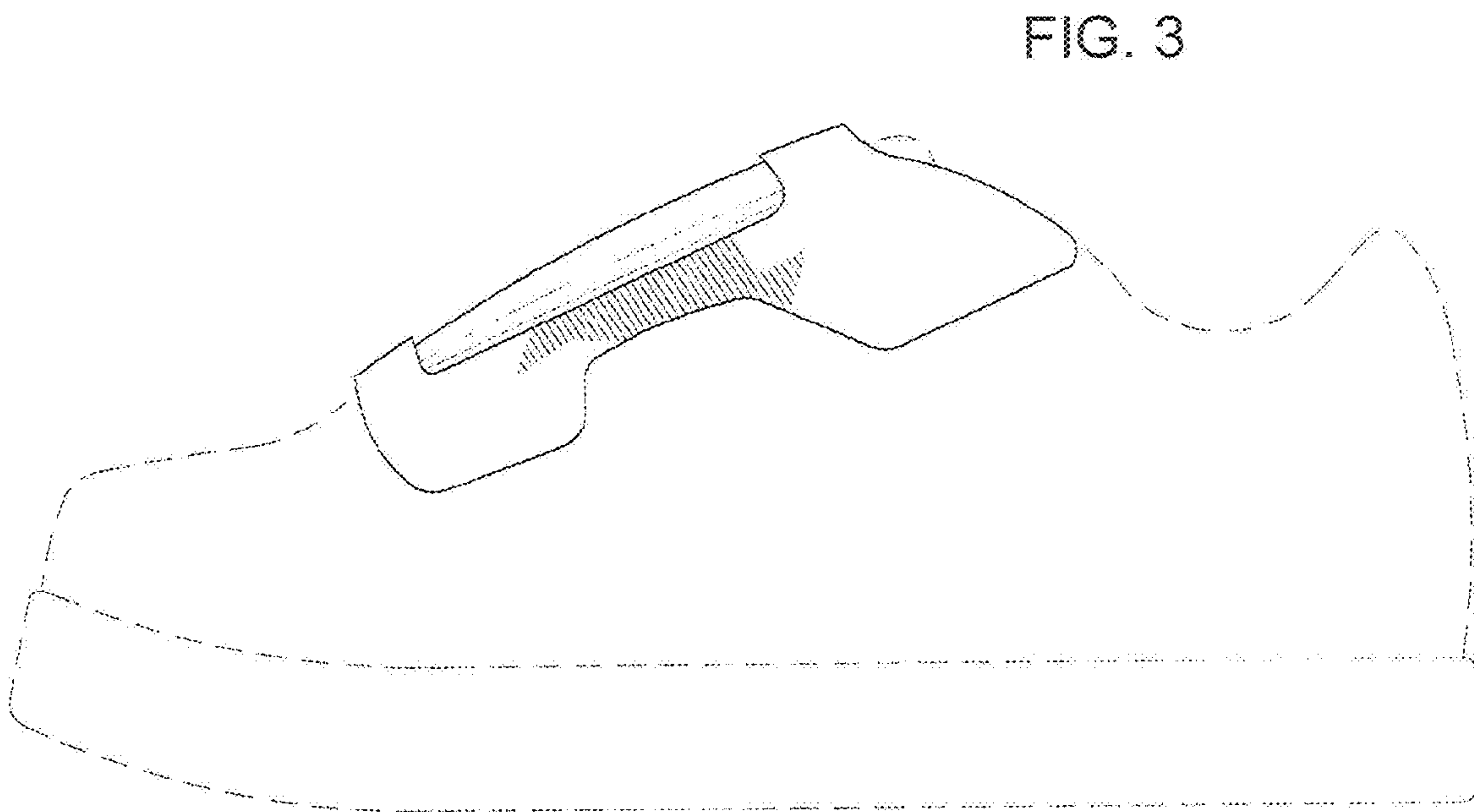
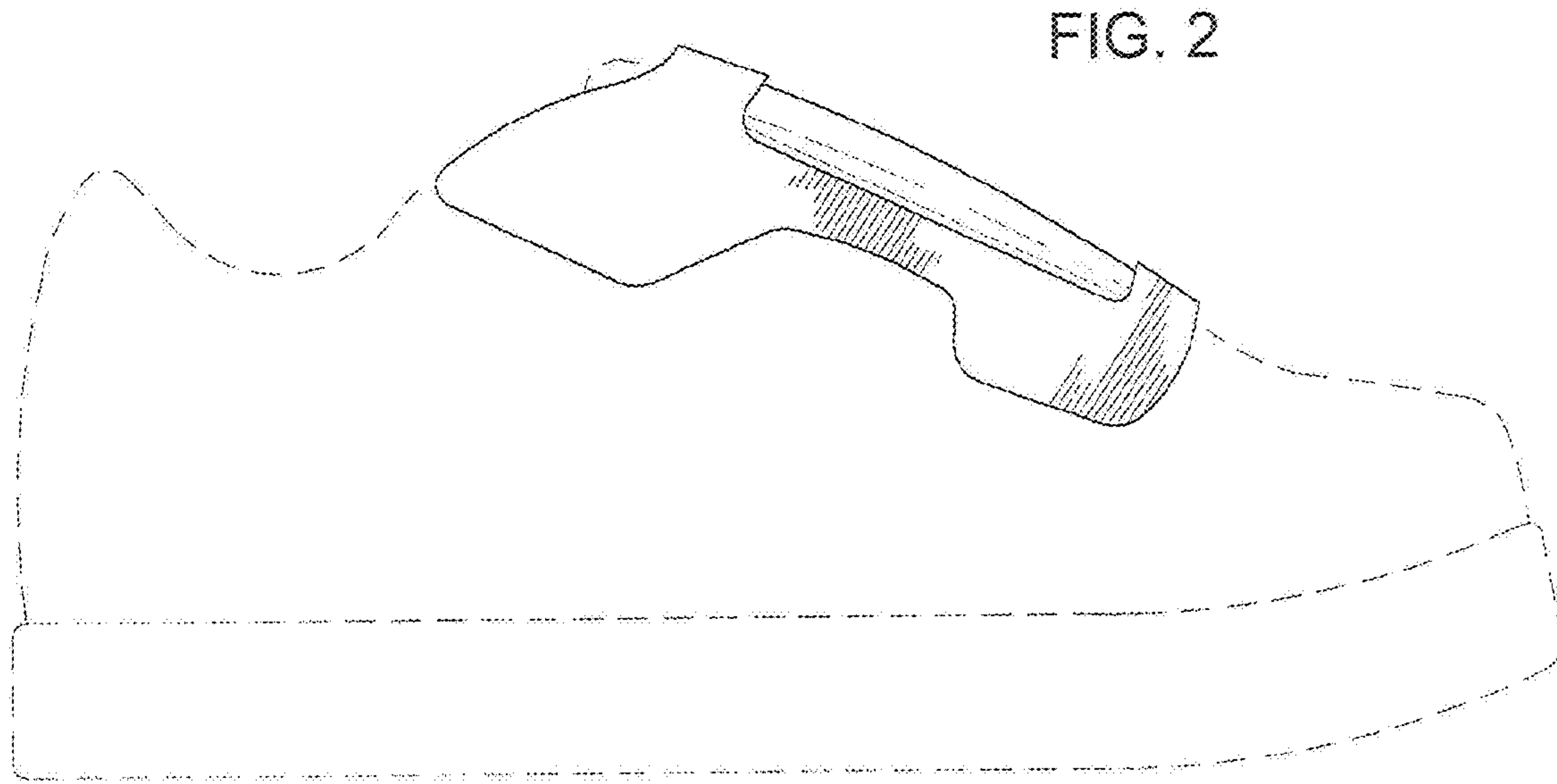


FIG. 4

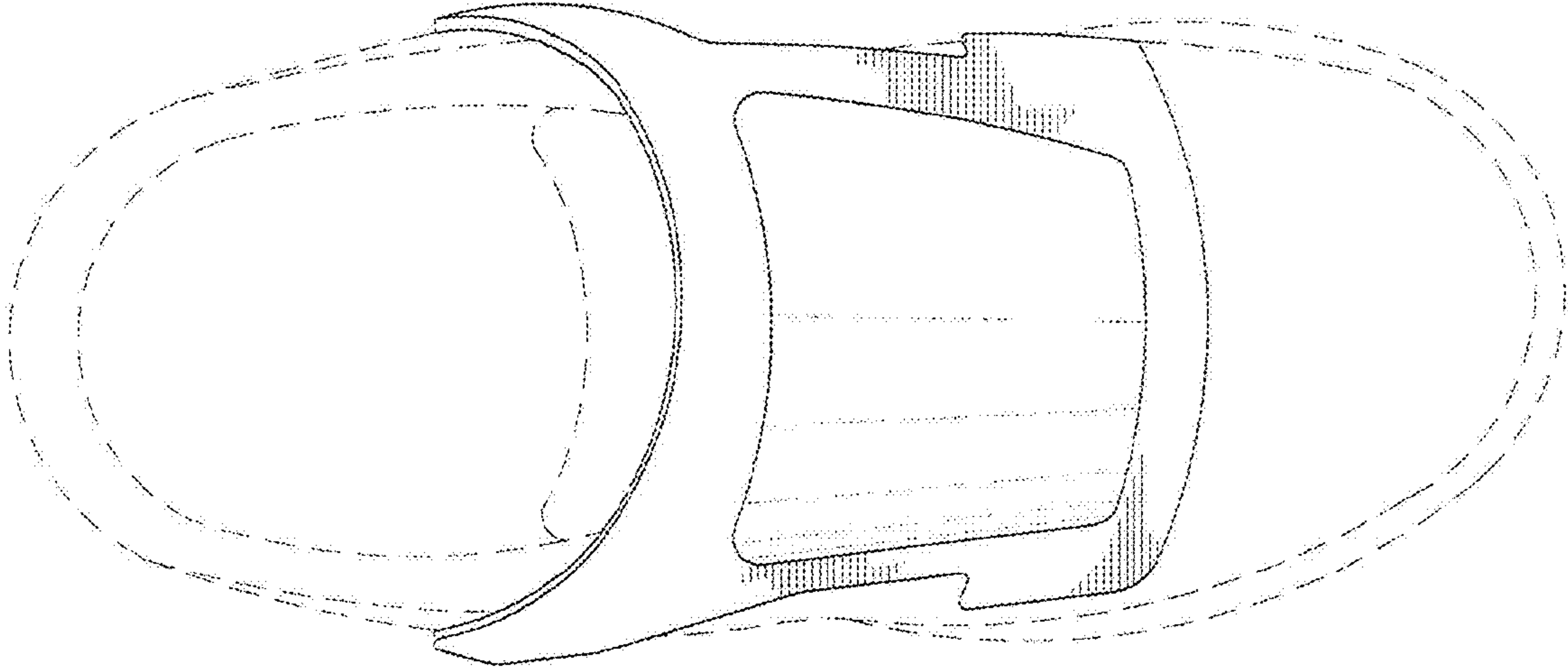


FIG. 5

