



US00D614833S

(12) **United States Design Patent**
Truong

(10) **Patent No.:** **US D614,833 S**

(45) **Date of Patent:** **** May 4, 2010**

(54) **TOOL TO TIE A CRAVAT**

2007/0182157 A1* 8/2007 Carrier 289/17
2008/0314939 A1* 12/2008 Truong 223/83

(76) Inventor: **Hi-Po Truong**, Grafenberger Allee 235,
40237 Düsseldorf (DE)

* cited by examiner

(**) Term: **14 Years**

Primary Examiner—T. Chase Nelson
Assistant Examiner—Kathleen M Sims
(74) *Attorney, Agent, or Firm*—Harness, Dickey & Pierce,
P.L.C.

(21) Appl. No.: **29/313,016**

(22) Filed: **Dec. 1, 2008**

(57) **CLAIM**

(30) **Foreign Application Priority Data**

Jun. 2, 2008 (EM) 000945357

The ornamental design for a tool to tie a cravat, as shown and described.

(51) **LOC (9) Cl.** **07-99**

(52) **U.S. Cl.** **D2/641**

(58) **Field of Classification Search** D2/641;
223/83; 289/17, 18.1; 2/152.1, 153
See application file for complete search history.

DESCRIPTION

FIG. 1 is a front, top and right side perspective view of a tool to tie a cravat embodying my new design;
FIG. 2 is a front, top and left side perspective view thereof;
FIG. 3 is a rear, top and right side perspective view thereof;
FIG. 4 is an enlarged right side thereof;
FIG. 5 is a front view thereof;
FIG. 6 is a rear view thereof; and,
FIG. 7 is a bottom view thereof.

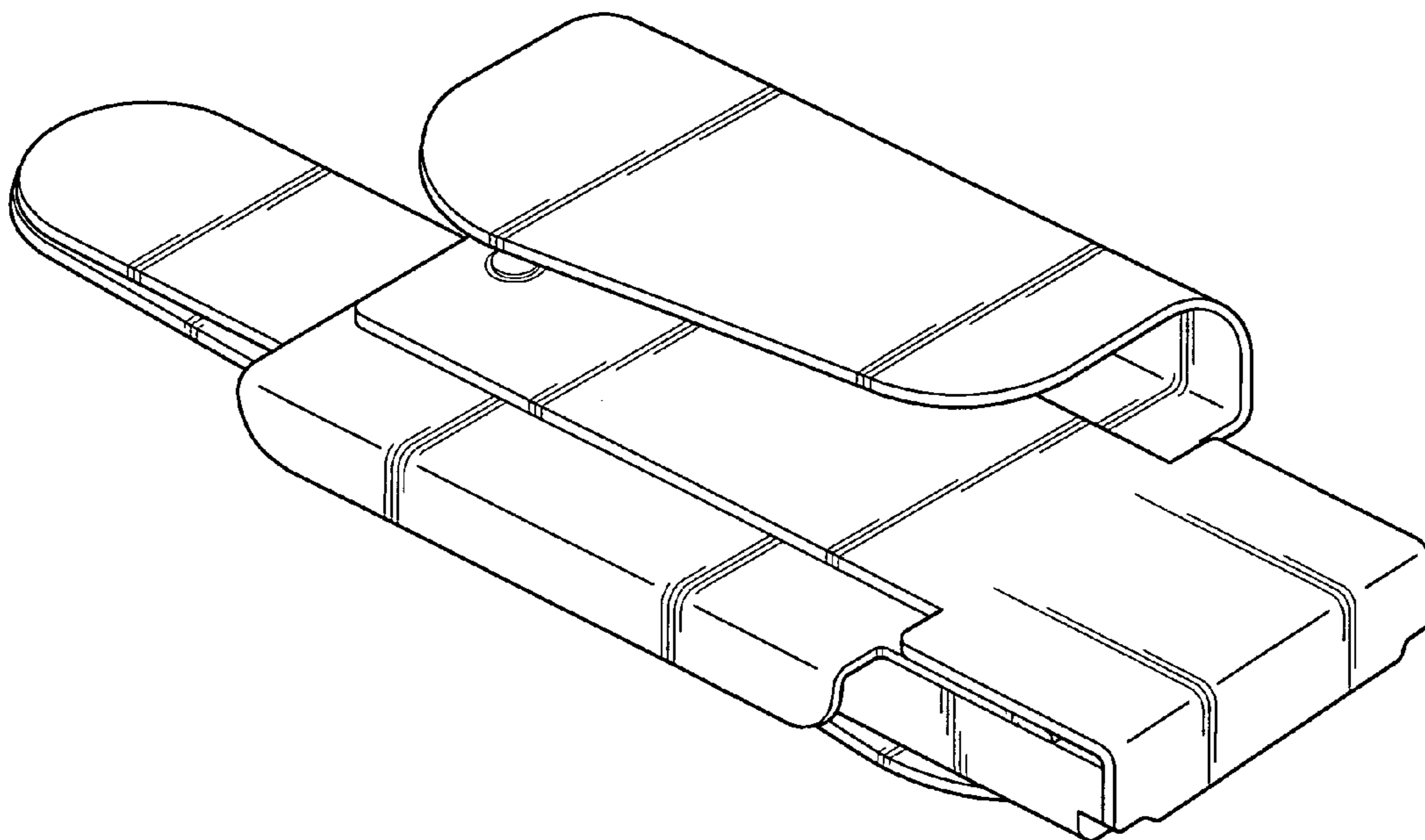
(56) **References Cited**

U.S. PATENT DOCUMENTS

3,752,374 A * 8/1973 Pro 223/111
5,577,778 A * 11/1996 Parietti et al. 289/17
5,692,241 A * 12/1997 Helfer 2/152.1
6,120,068 A * 9/2000 DiPietro 289/17
6,149,207 A * 11/2000 Bradford, Jr. 289/18.1
6,435,571 B1 * 8/2002 Parietti 289/17
6,820,904 B1 * 11/2004 Goldstein 289/18.1
7,309,086 B2 * 12/2007 Carrier 289/17

The dashed lines in FIG. 7 are included for the purpose of showing a boundary line.

1 Claim, 3 Drawing Sheets



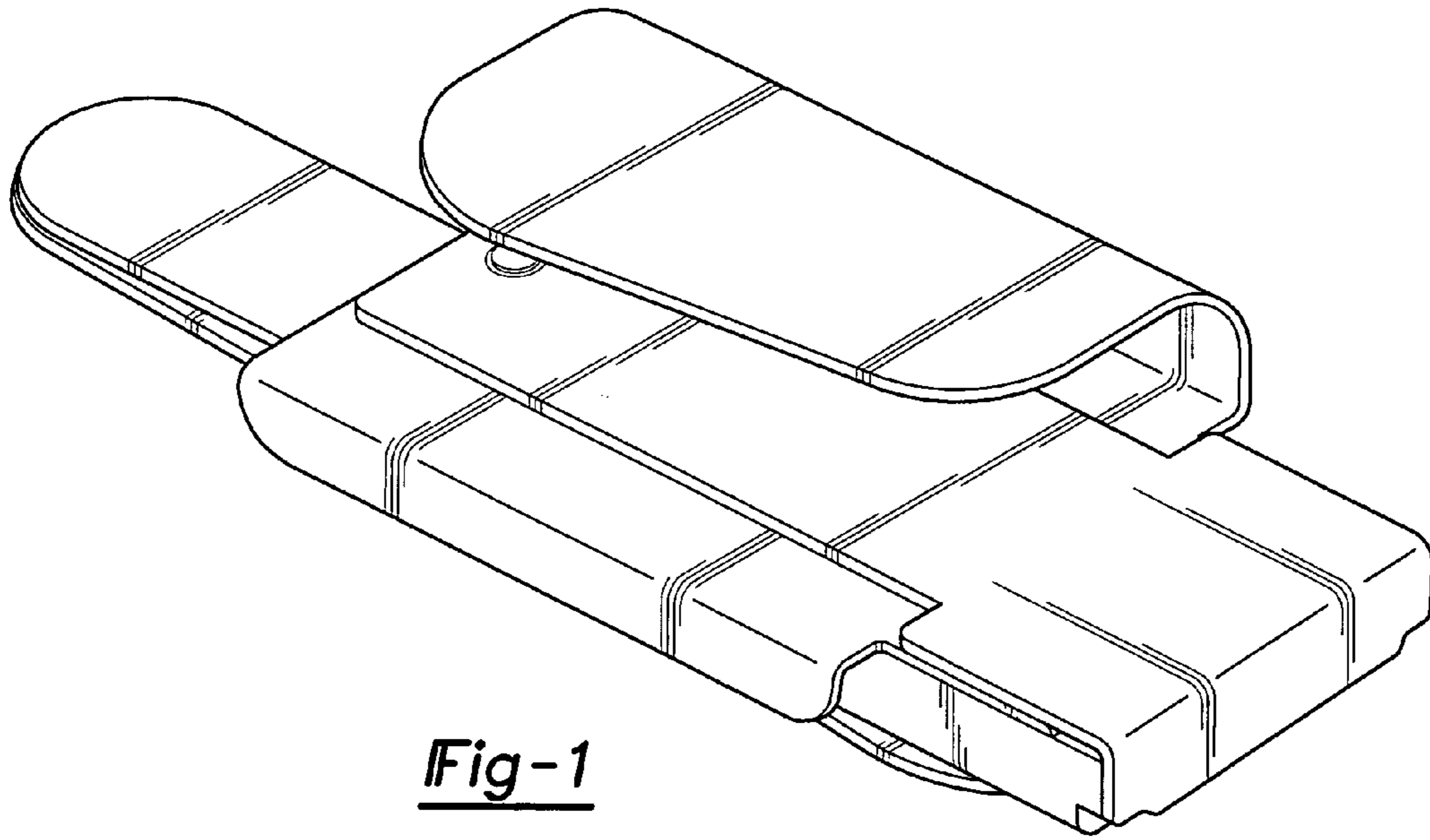


Fig-1

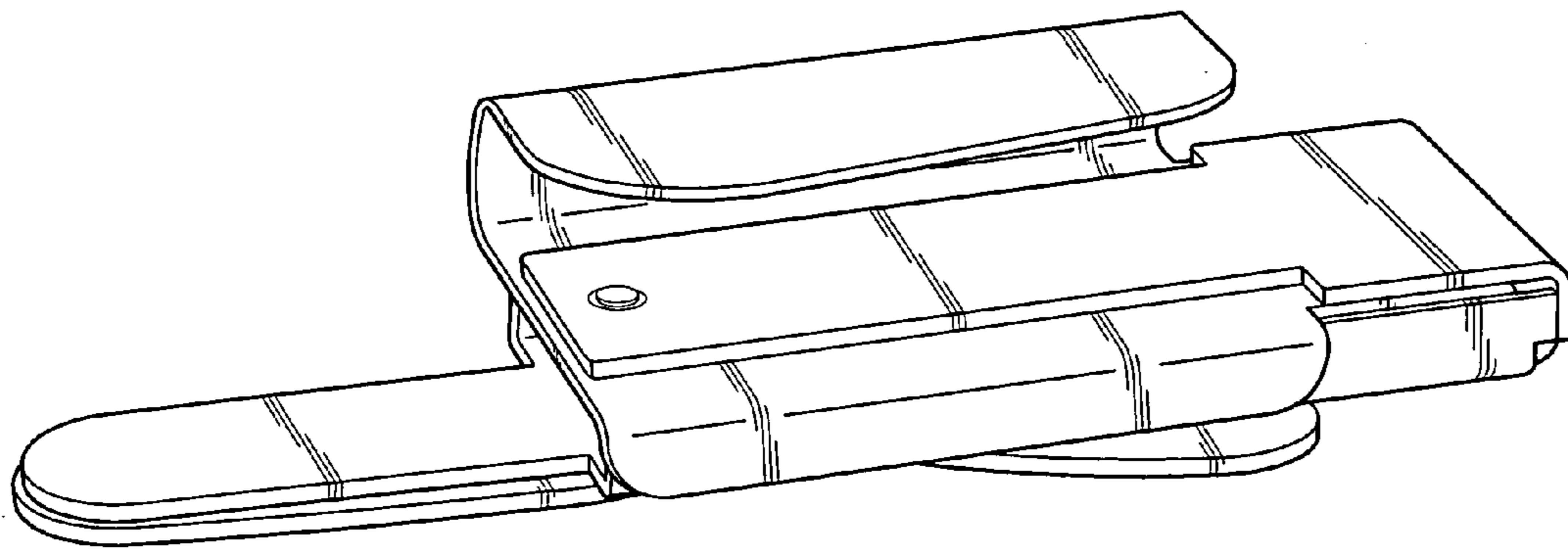


Fig-2

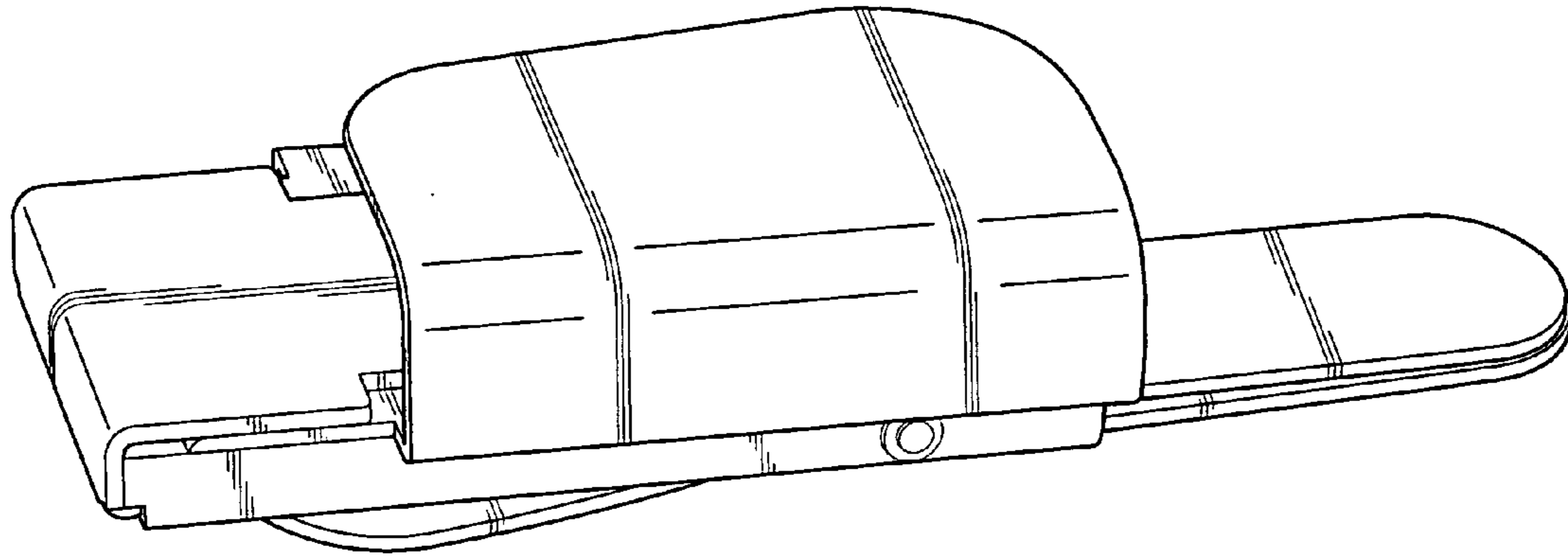


Fig-3

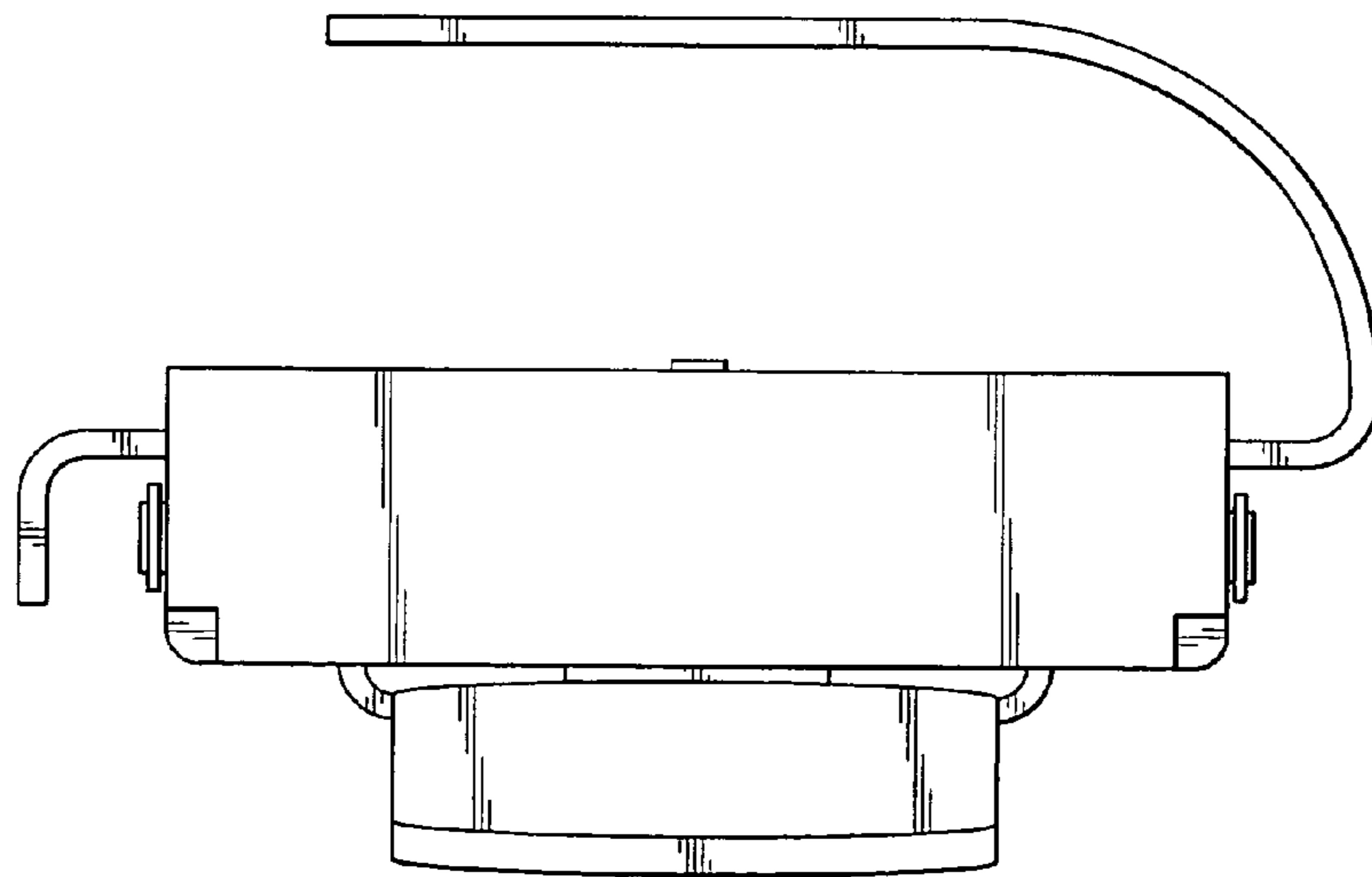


Fig-4

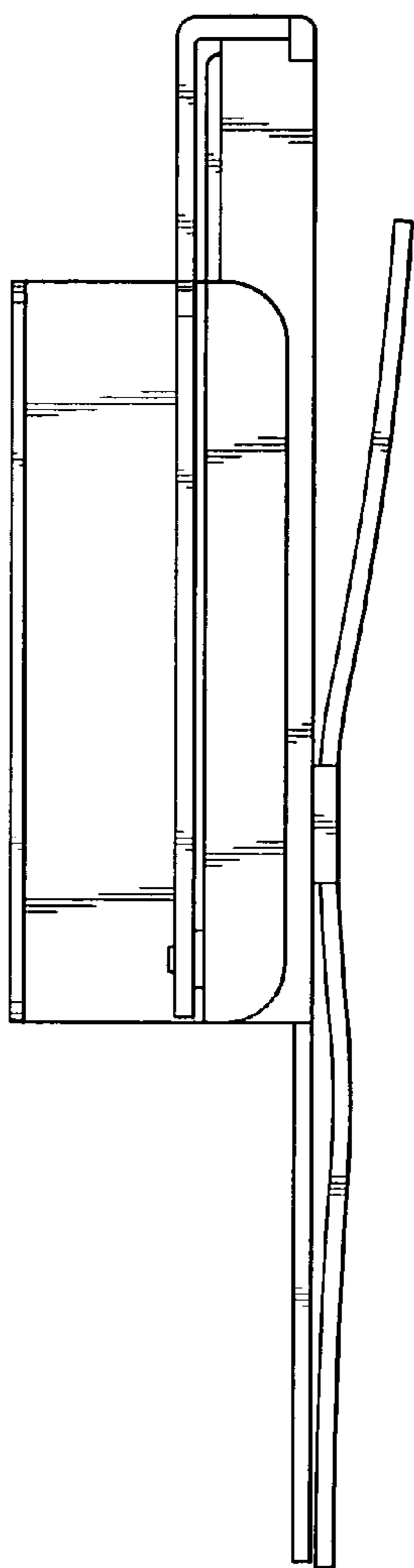


Fig-5

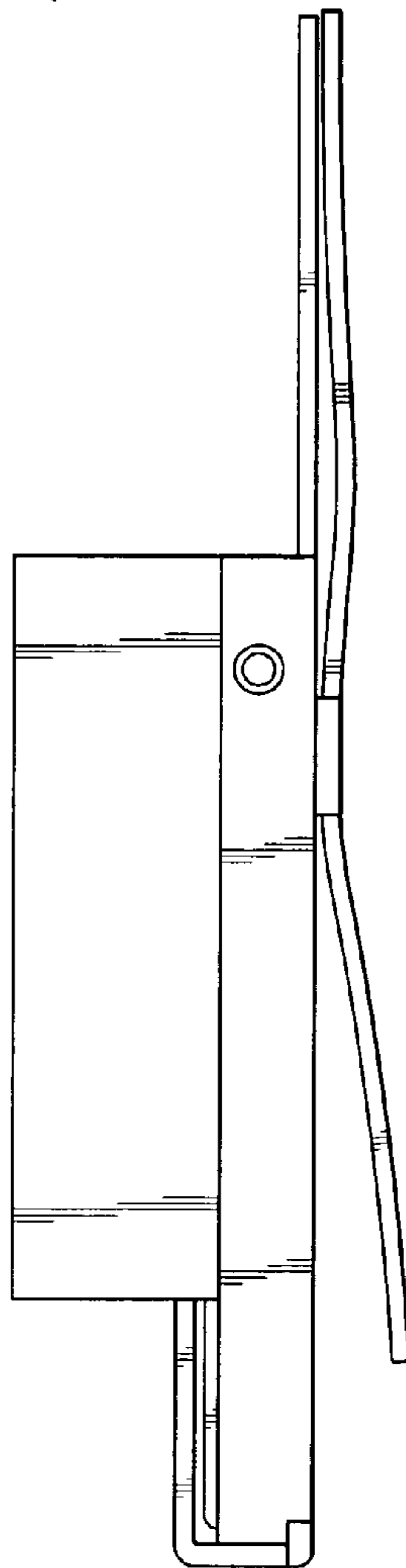


Fig-6

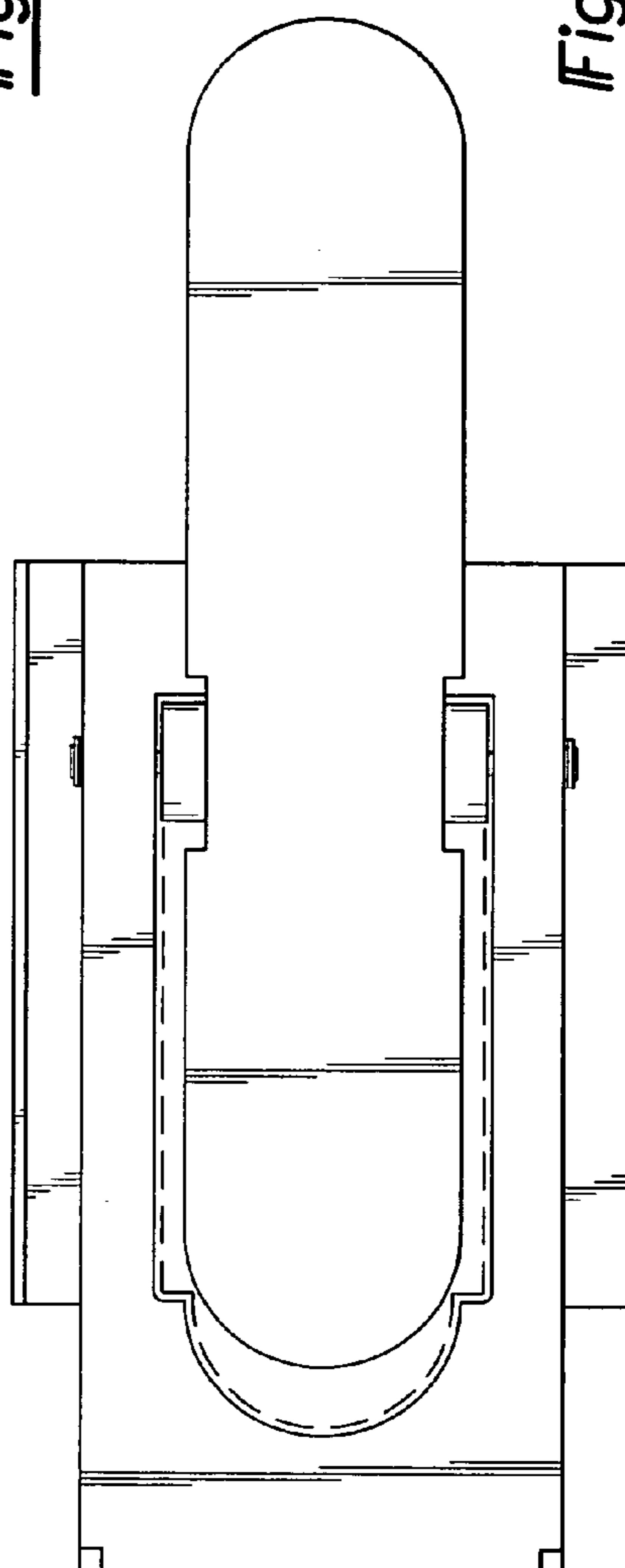


Fig-7