



US00D614825S

(12) **United States Design Patent**  
**Biegel**

(10) **Patent No.:** **US D614,825 S**

(45) **Date of Patent:** **\*\* Apr. 27, 2010**

(54) **CREMATORY URN**

(76) Inventor: **Achim Biegel**, Humweilerstrasse 73 b,  
Oberthal (DE) 66649

(\*\*) Term: **14 Years**

(21) Appl. No.: **29/340,894**

(22) Filed: **Jul. 28, 2009**

(30) **Foreign Application Priority Data**

Apr. 29, 2009 (EM) ..... 001130793-0001

(51) **LOC (9) Cl.** ..... **99-00**

(52) **U.S. Cl.** ..... **D99/5**

(58) **Field of Classification Search** ..... D99/1,  
D99/5; 27/1-10; D9/503; D23/366; D7/540,  
D7/591, 612, 619.1, 624.3; 220/602, 568,  
220/212, 212.5, 210, 200, 288, 62.18  
See application file for complete search history.

(56) **References Cited**

**U.S. PATENT DOCUMENTS**

- 1,969,486 A \* 8/1934 Kurz ..... 220/568
- 1,974,996 A \* 9/1934 Punte ..... 220/602
- 1,977,641 A \* 10/1934 Loeber ..... 220/212.5
- D98,914 S \* 3/1936 Briscoe ..... D99/5
- 2,196,486 A \* 4/1940 Anderson ..... 220/288
- 2,235,617 A \* 3/1941 Klinzing ..... 220/288
- 2,385,520 A \* 9/1945 Klinzing ..... 27/1
- 2,500,611 A \* 3/1950 Kereluck ..... 99/508
- 2,670,868 A \* 3/1954 Stover et al. .... 215/46
- 2,786,595 A \* 3/1957 Nelson ..... 220/212
- 2,913,140 A \* 11/1959 Vuillemenot ..... 220/210
- 3,051,303 A \* 8/1962 Daanen et al. .... 206/776
- 3,323,683 A \* 6/1967 Cianciolo ..... 222/142.6

- D213,777 S \* 4/1969 Chandler et al. .... D99/5
- D214,894 S \* 8/1969 Chandler et al. .... D99/5
- D257,819 S \* 1/1981 Morin ..... D7/591
- D263,088 S \* 2/1982 Krech ..... D99/5
- D294,446 S \* 3/1988 Tardif ..... D7/612
- 5,082,136 A \* 1/1992 Schumann ..... 220/278
- 5,172,457 A \* 12/1992 Allen et al. .... 27/1
- D356,422 S \* 3/1995 Parker ..... D99/5
- D360,732 S \* 7/1995 Parker ..... D99/5
- D398,733 S \* 9/1998 Diviak, Sr. .... D99/5
- D411,747 S \* 6/1999 Kokenge et al. .... D9/503
- D452,826 S \* 1/2002 Bezek et al. .... D9/503
- D479,641 S \* 9/2003 Robinson ..... D99/5

**FOREIGN PATENT DOCUMENTS**

- EM 000981089-0002 S 8/2008
- EM 000981089-0004 S 8/2008
- EM 000981089-0008 S 8/2008
- EM 000981089-0011 S 8/2008

\* cited by examiner

*Primary Examiner*—Paula Greene

(57) **CLAIM**

The ornamental design for a crematory urn, as shown and described.

**DESCRIPTION**

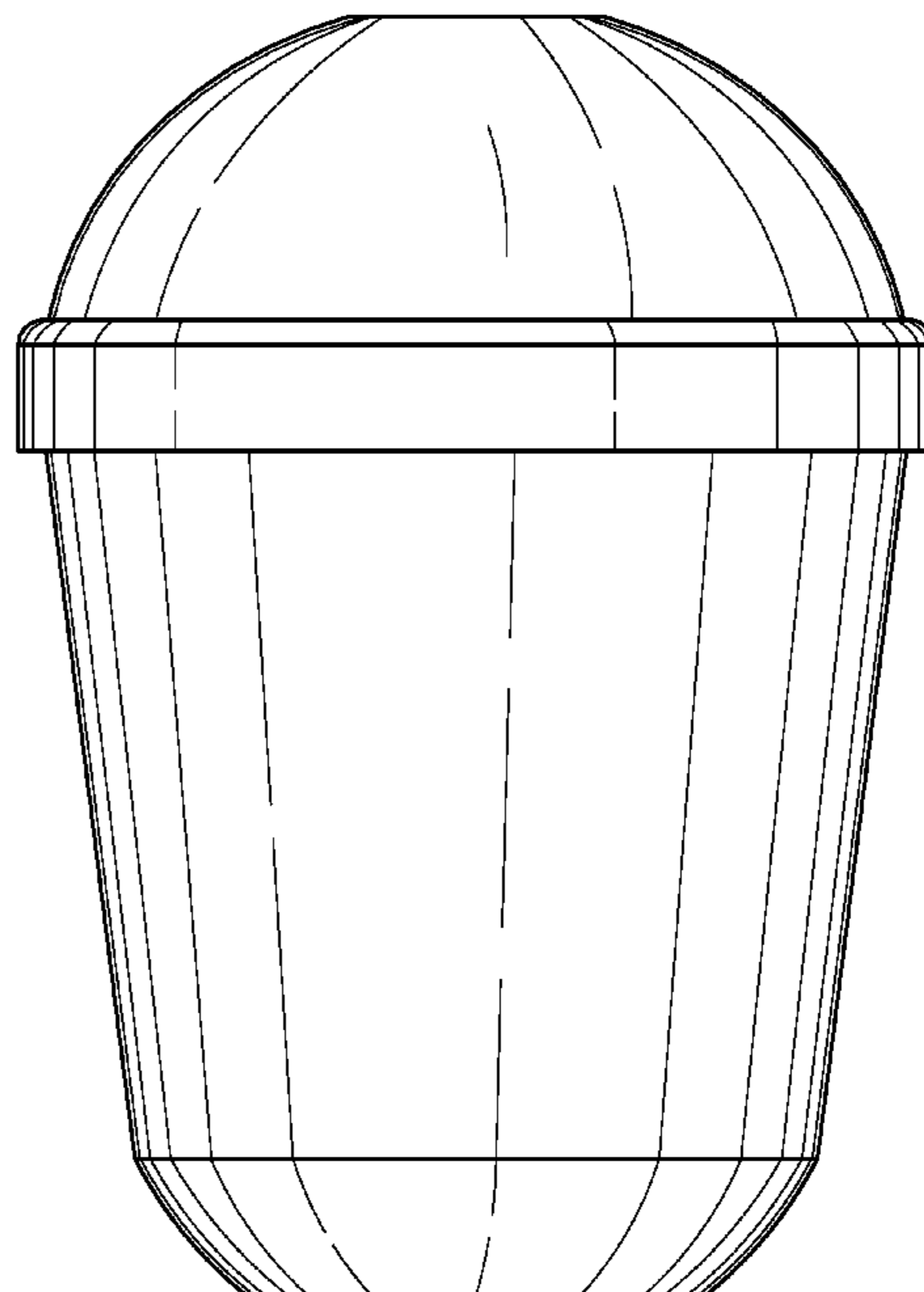
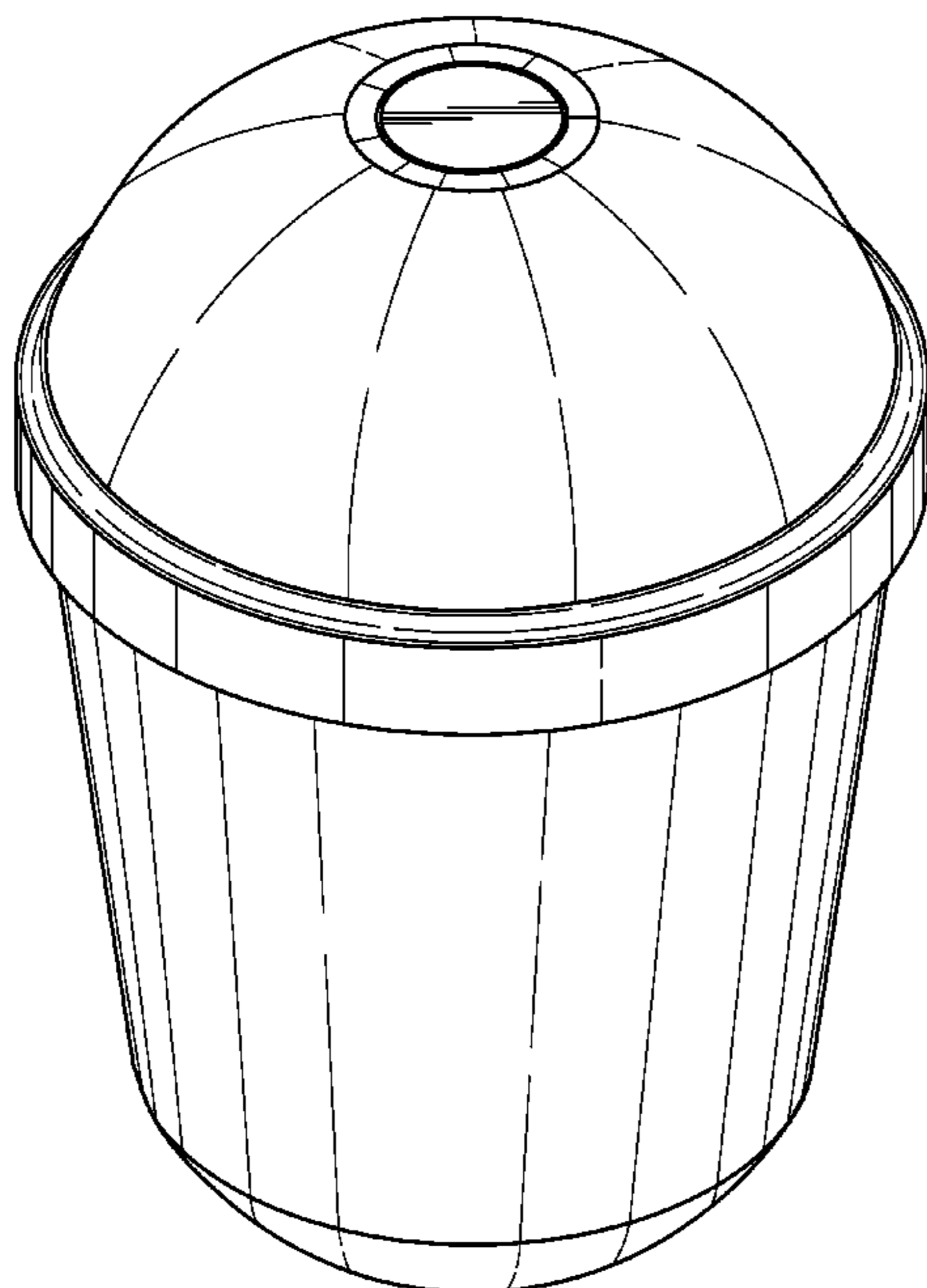
FIG. 1 is a perspective view of a crematory urn showing my new design;

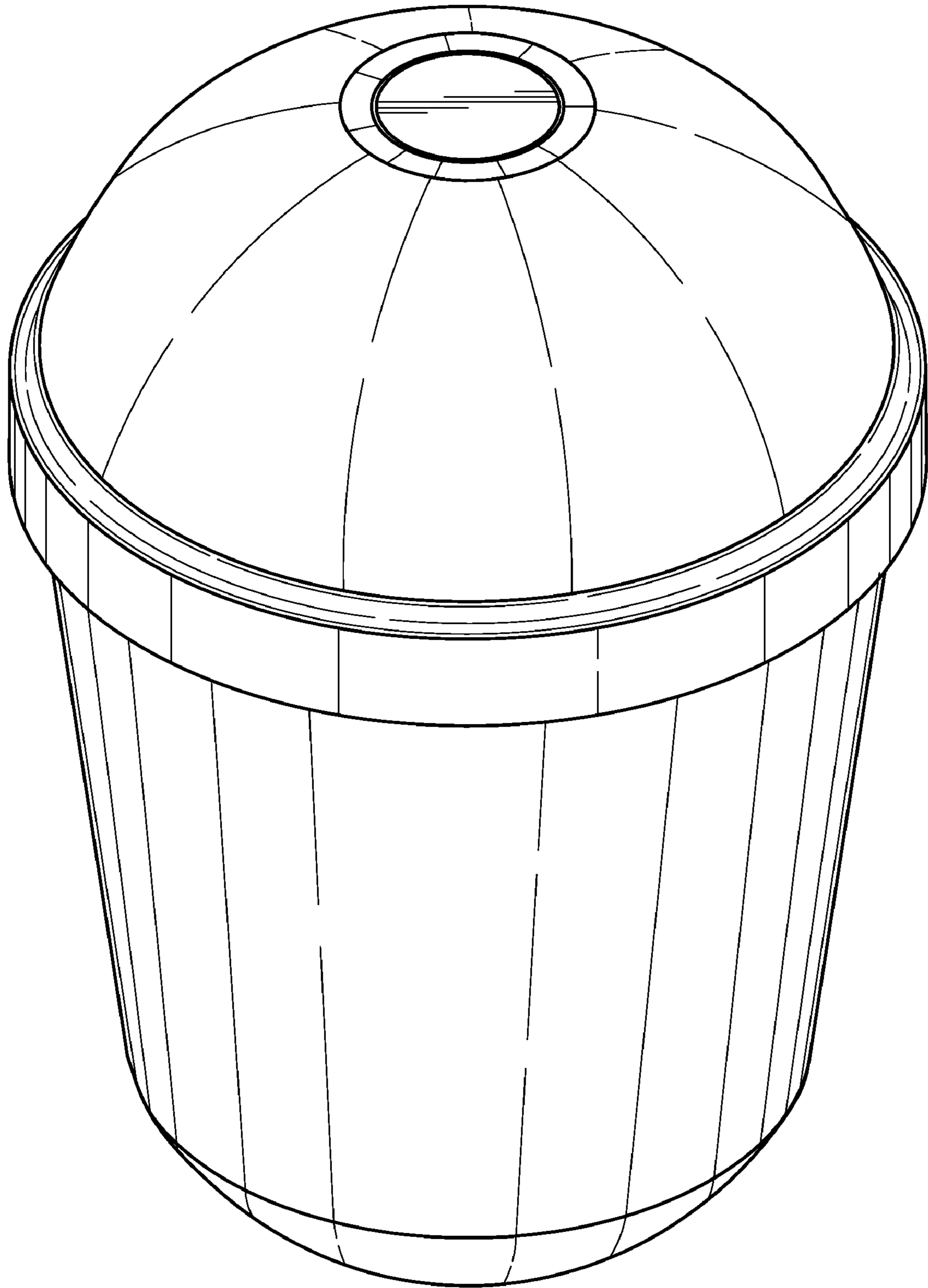
FIG. 2 is a front elevational view, the left side, right side, and rear elevational views are a mirror image thereof;

FIG. 3 is a top plan view thereof; and,

FIG. 4 is a bottom plan view thereof.

**1 Claim, 4 Drawing Sheets**





**Fig. 1**

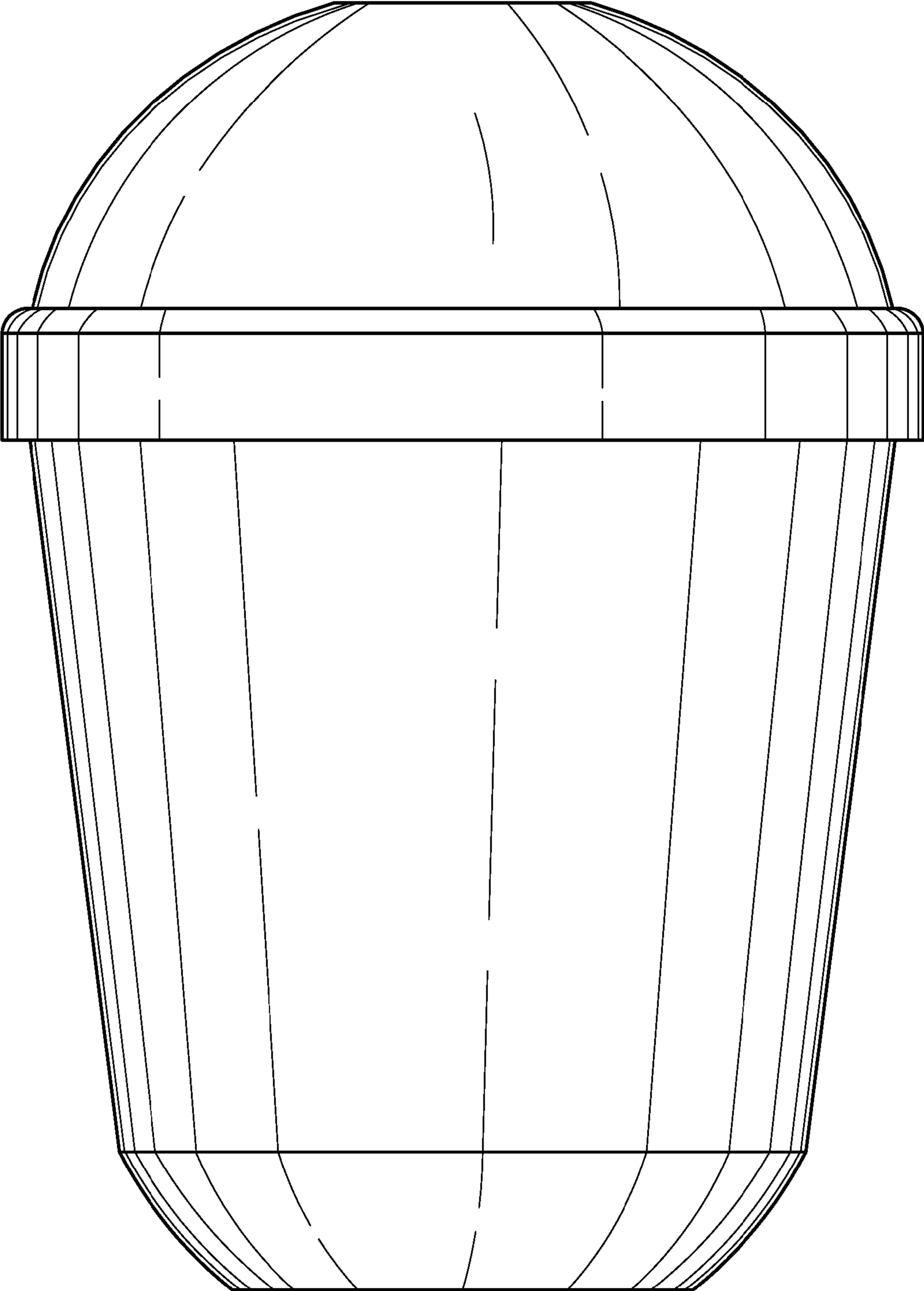
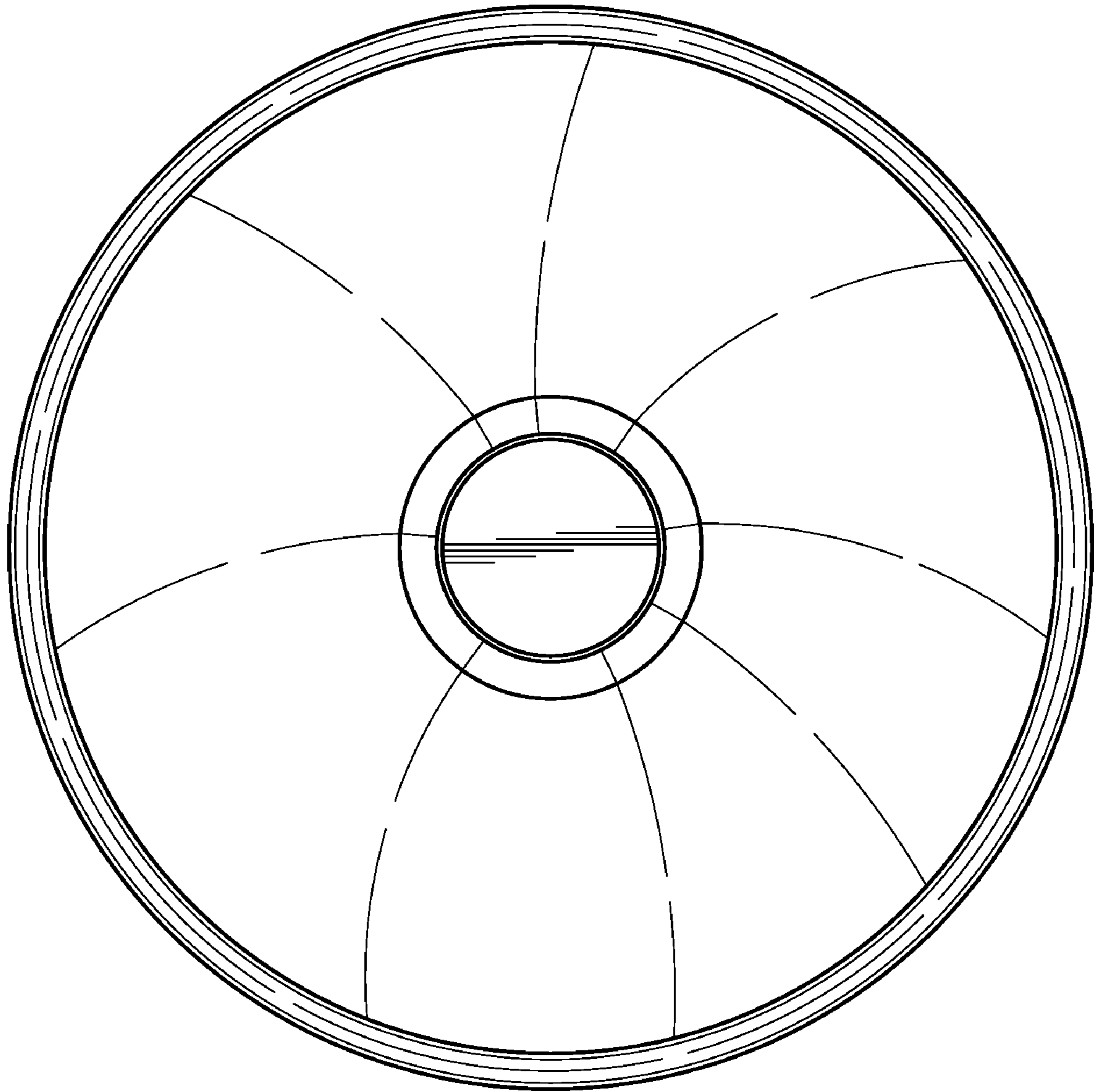
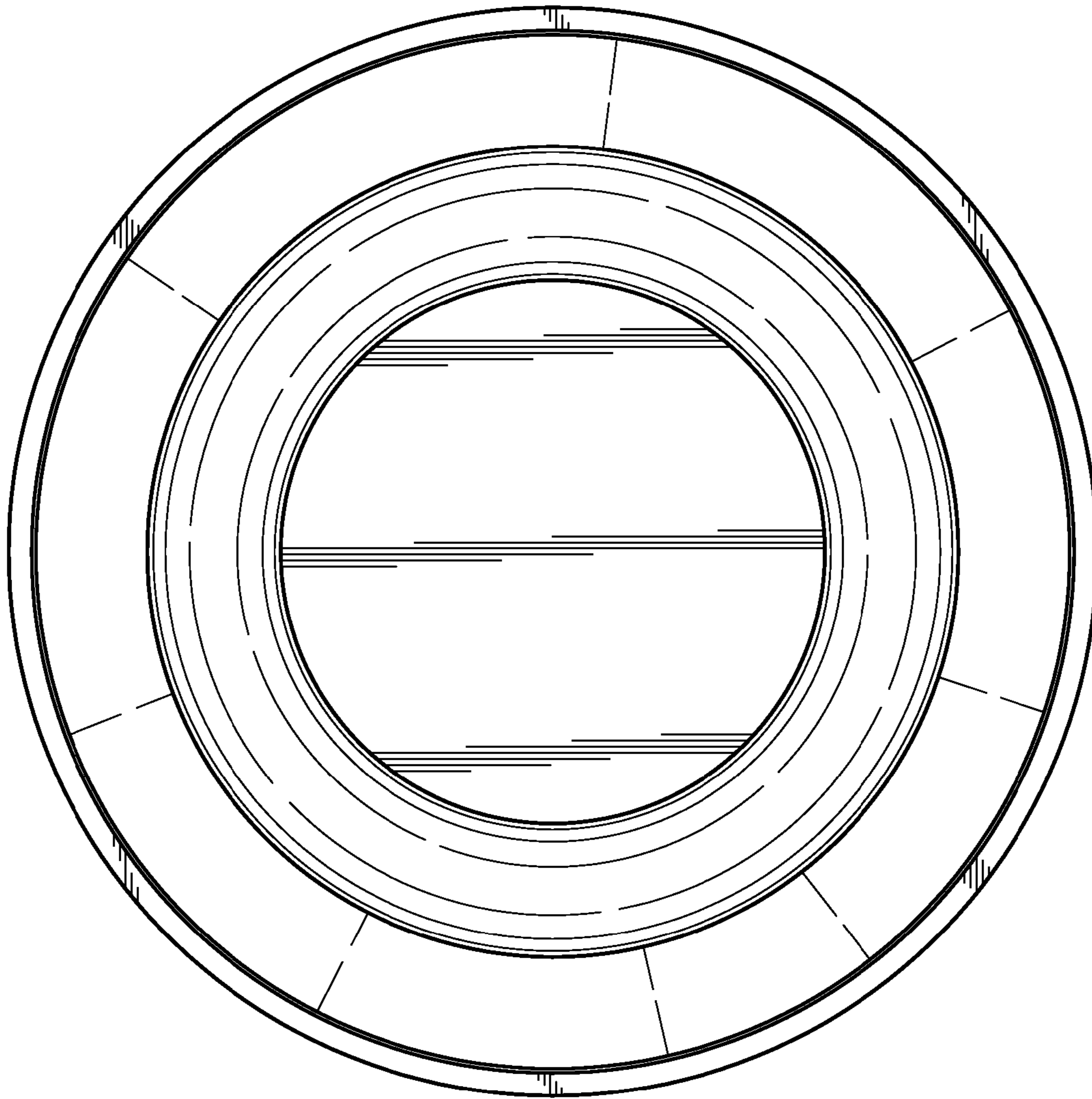


Fig. 2



**Fig. 3**



**Fig. 4**