



US00D614822S

(12) **United States Design Patent**
Gebhardt et al.

(10) **Patent No.:** **US D614,822 S**
(45) **Date of Patent:** **** *Apr. 27, 2010**

(54) **VACUUM CLEANER**

(75) Inventors: **Lutz Gebhardt**, Steinhausen (CH);
Frank Bosshard, Zürich (CH)

(73) Assignee: **Lux International AG**, Baar (CH)

(*) Notice: This patent is subject to a terminal disclaimer.

(**) Term: **14 Years**

(21) Appl. No.: **29/327,886**

(22) Filed: **Nov. 14, 2008**

(30) **Foreign Application Priority Data**

Jul. 15, 2008 (WO) DM/070 424

(51) **LOC (9) Cl.** **15-05**

(52) **U.S. Cl.** **D32/21**

(58) **Field of Classification Search** D32/1,
D32/21, 31, 18; 15/327.1–327.7, 340.2,
15/412, 320–321, 329, 323, 246.2, 353, DIG. 1,
15/247, 347, 344; 417/234; 55/459.1, DIG. 3,
55/345, 337, 429, 460; 95/271; 210/512.1
See application file for complete search history.

(56) **References Cited**

U.S. PATENT DOCUMENTS

D314,259 S * 1/1991 Kim D32/21

D346,678 S * 5/1994 Burkhardt D32/21
D360,717 S * 7/1995 Martin et al. D32/21
D432,745 S * 10/2000 Beaulac D32/21

* cited by examiner

Primary Examiner—Ruth McInroy

(74) *Attorney, Agent, or Firm*—Browdy and Neimark,
P.L.L.C.

(57) **CLAIM**

The ornamental design for a vacuum cleaner, as shown and described.

DESCRIPTION

FIG. 1 is a bottom view of a vacuum cleaner showing our new design;

FIG. 2 is a right side view thereof;

FIG. 3 is a rear view thereof;

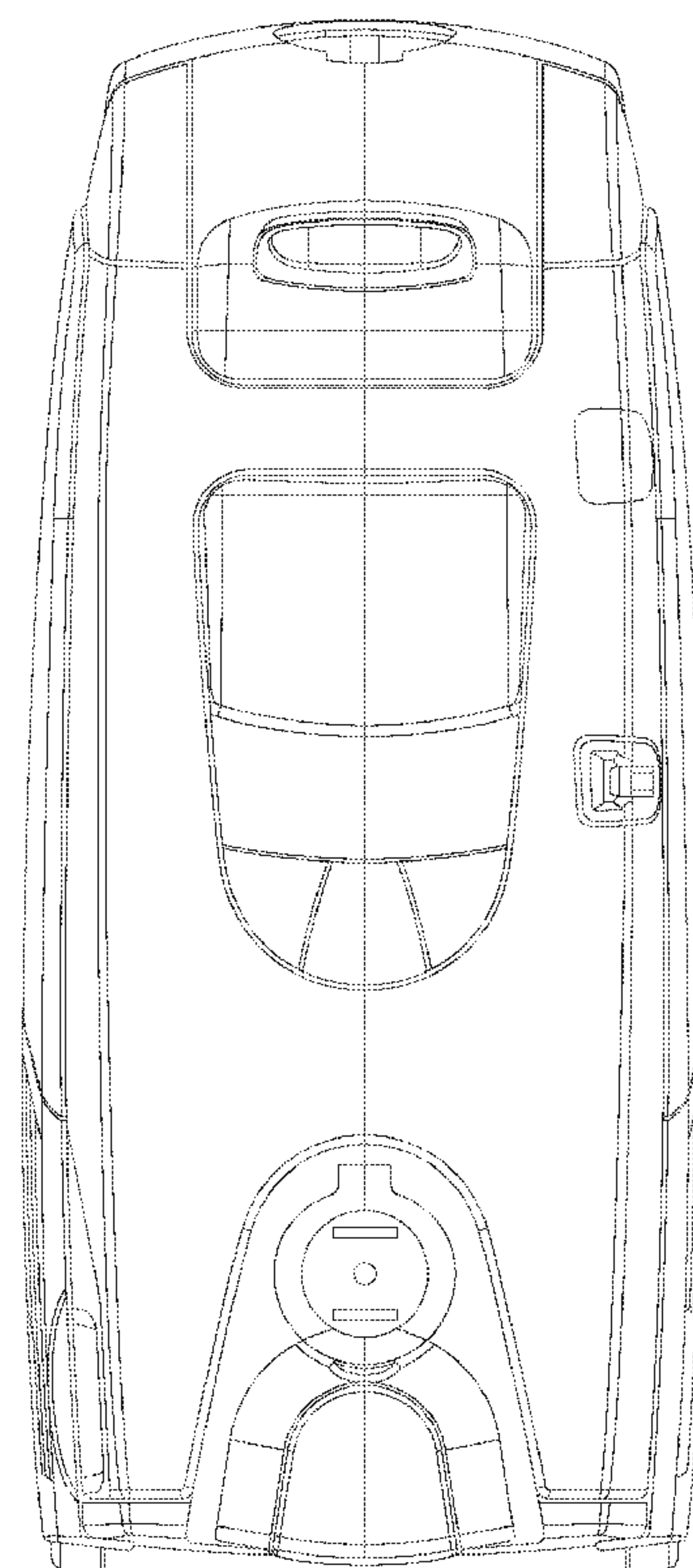
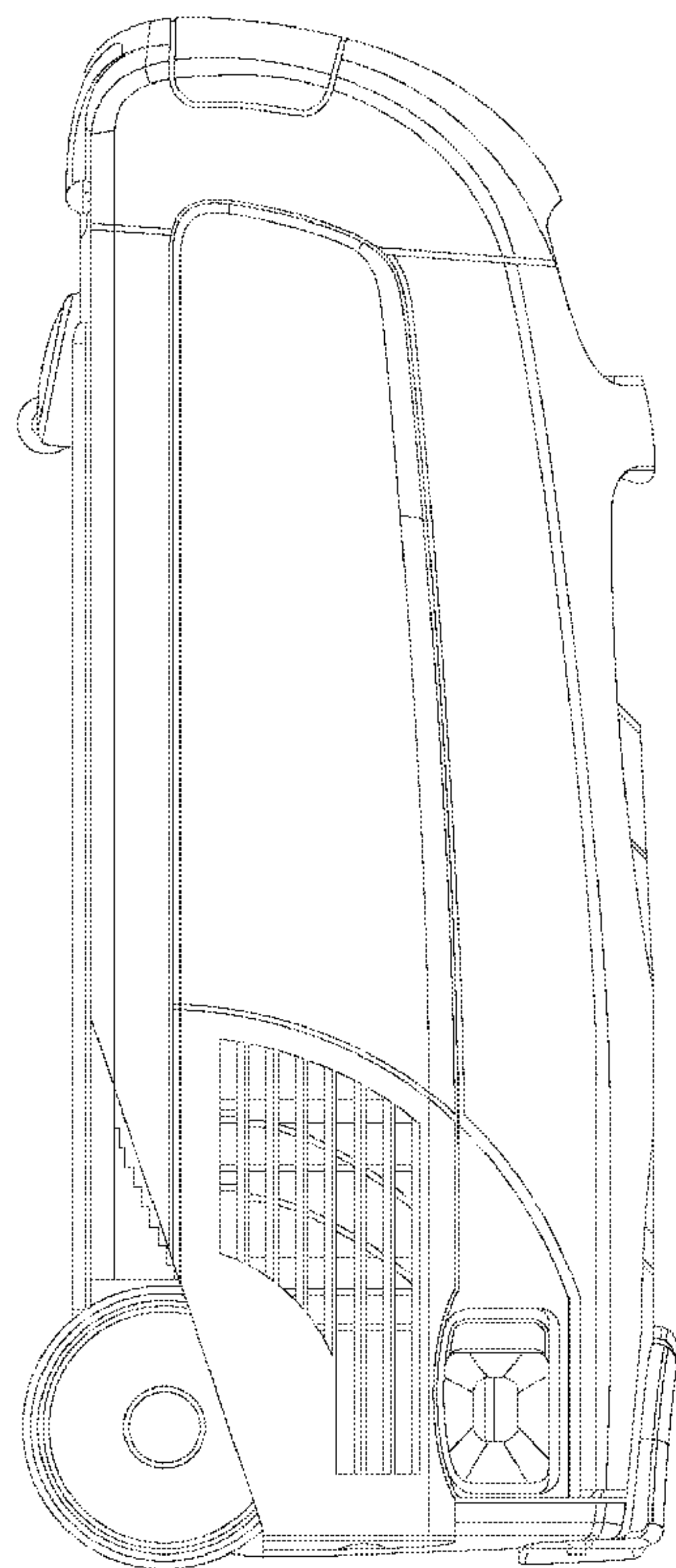
FIG. 4 is a top view thereof;

FIG. 5 is a front view thereof;

FIG. 6 is a left side view thereof; and,

FIG. 7 is a perspective view thereof.

1 Claim, 7 Drawing Sheets



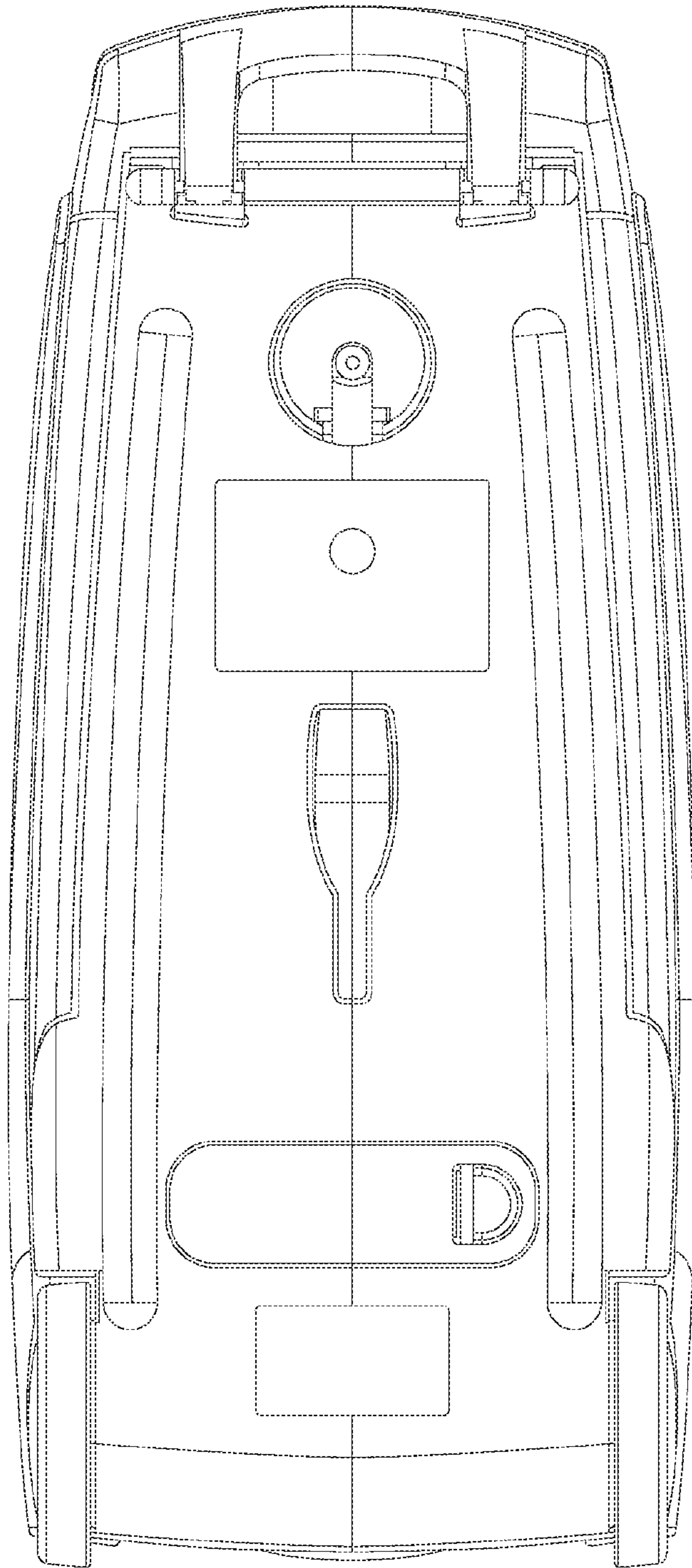


FIG. 1

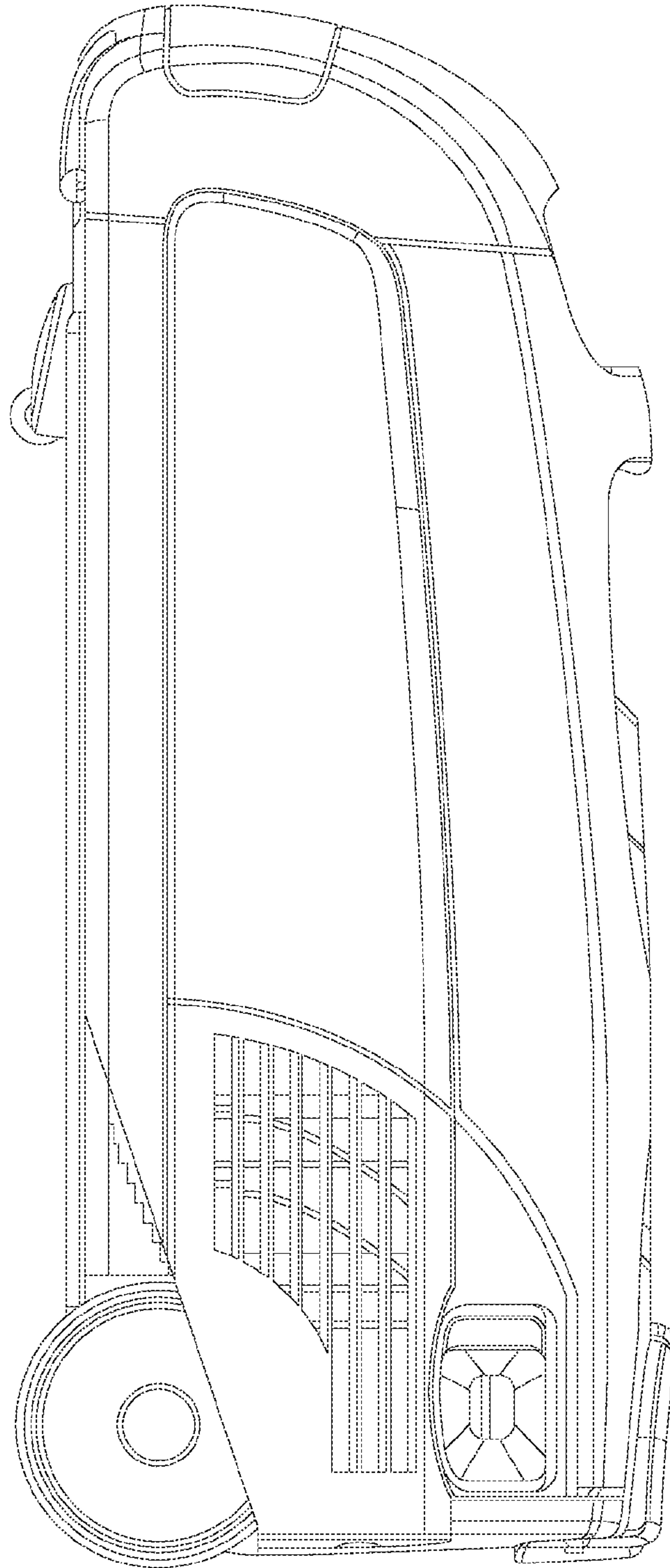


FIG. 2

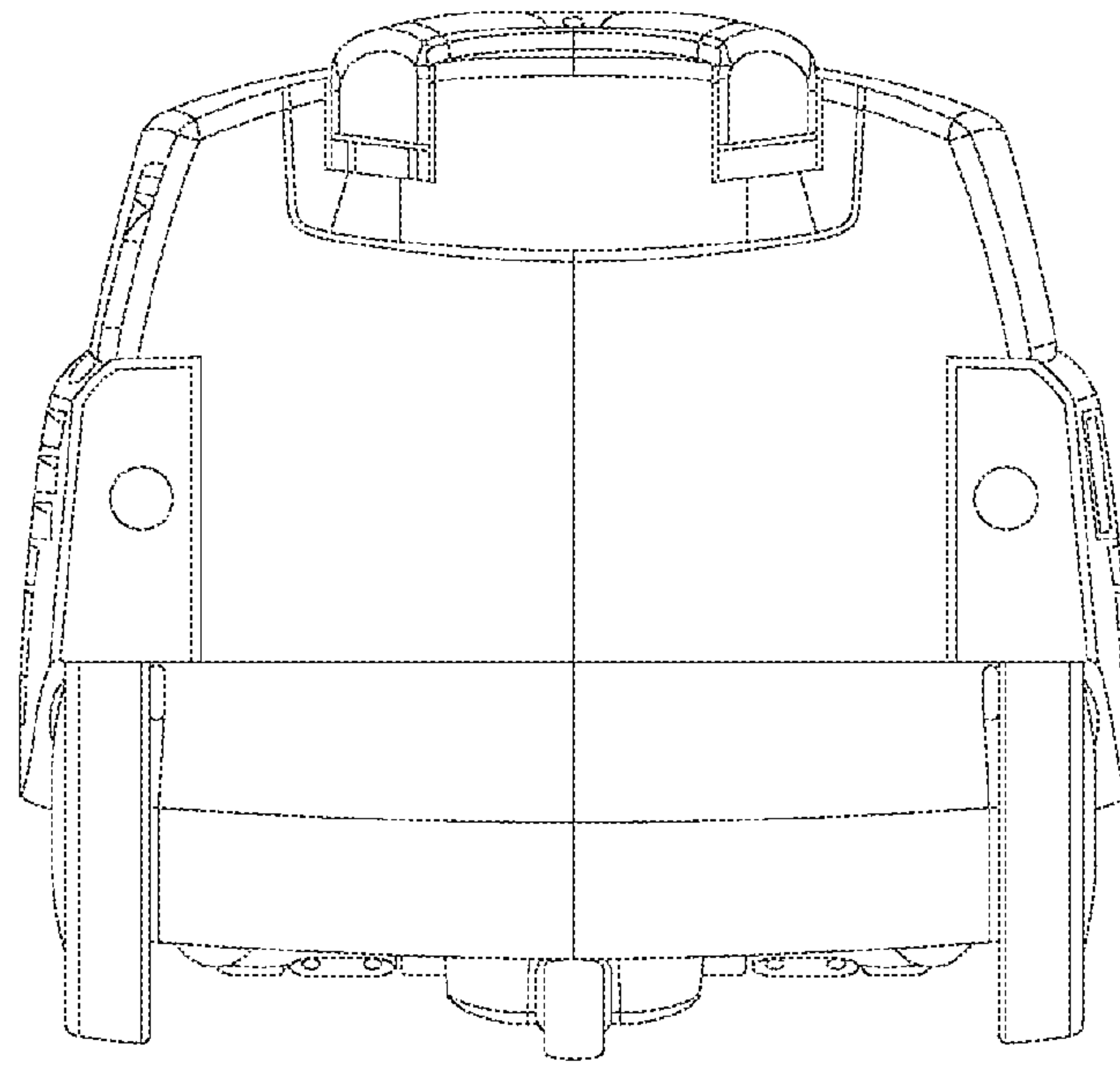


FIG. 3

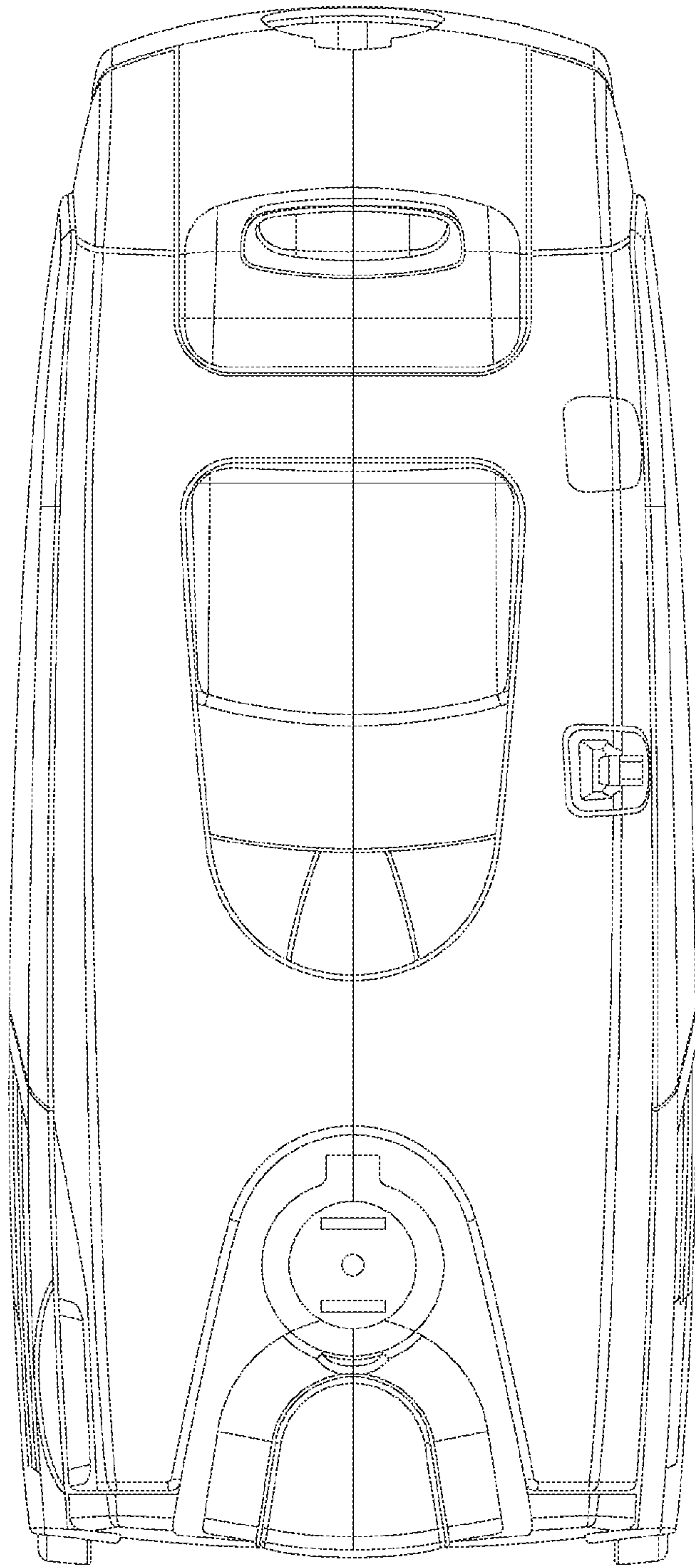


FIG. 4

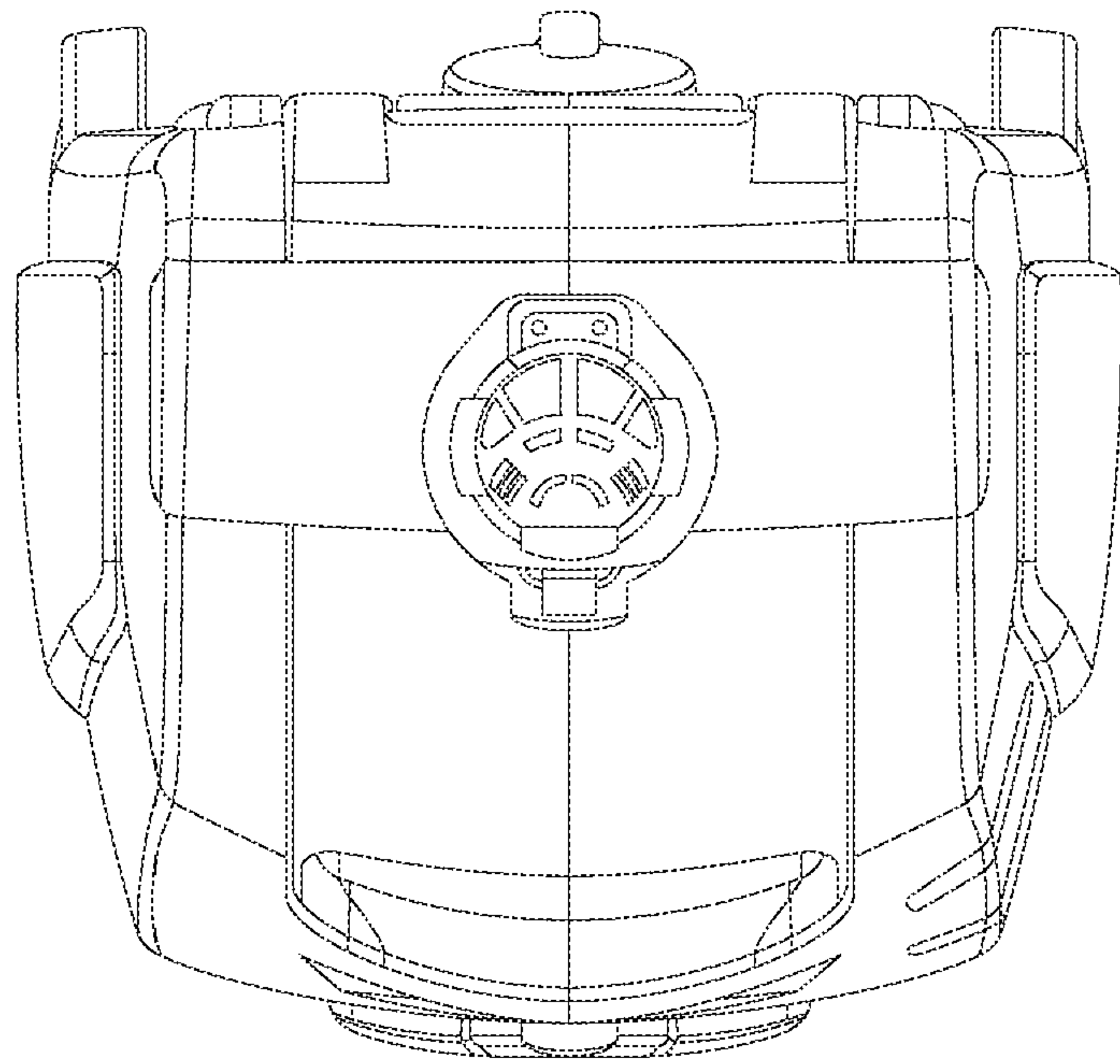


FIG. 5

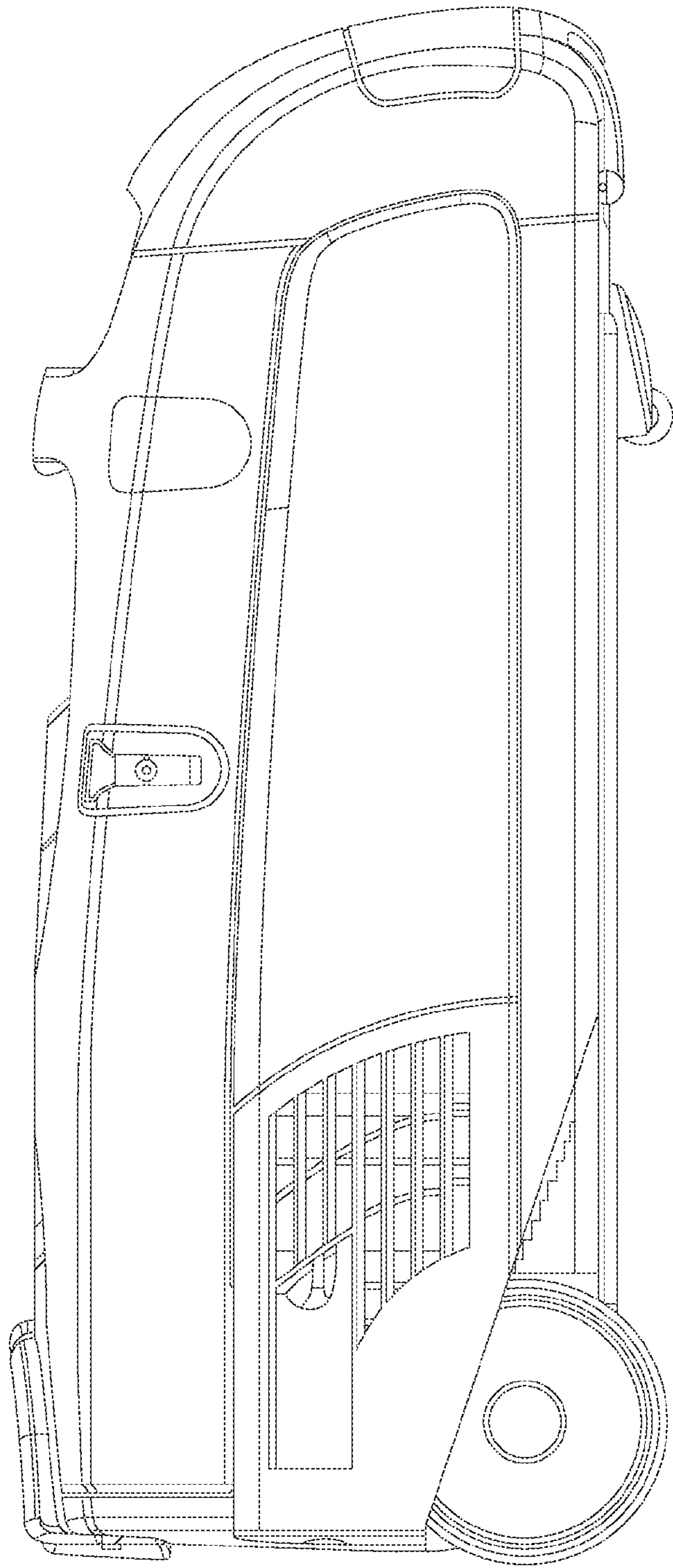


FIG. 6

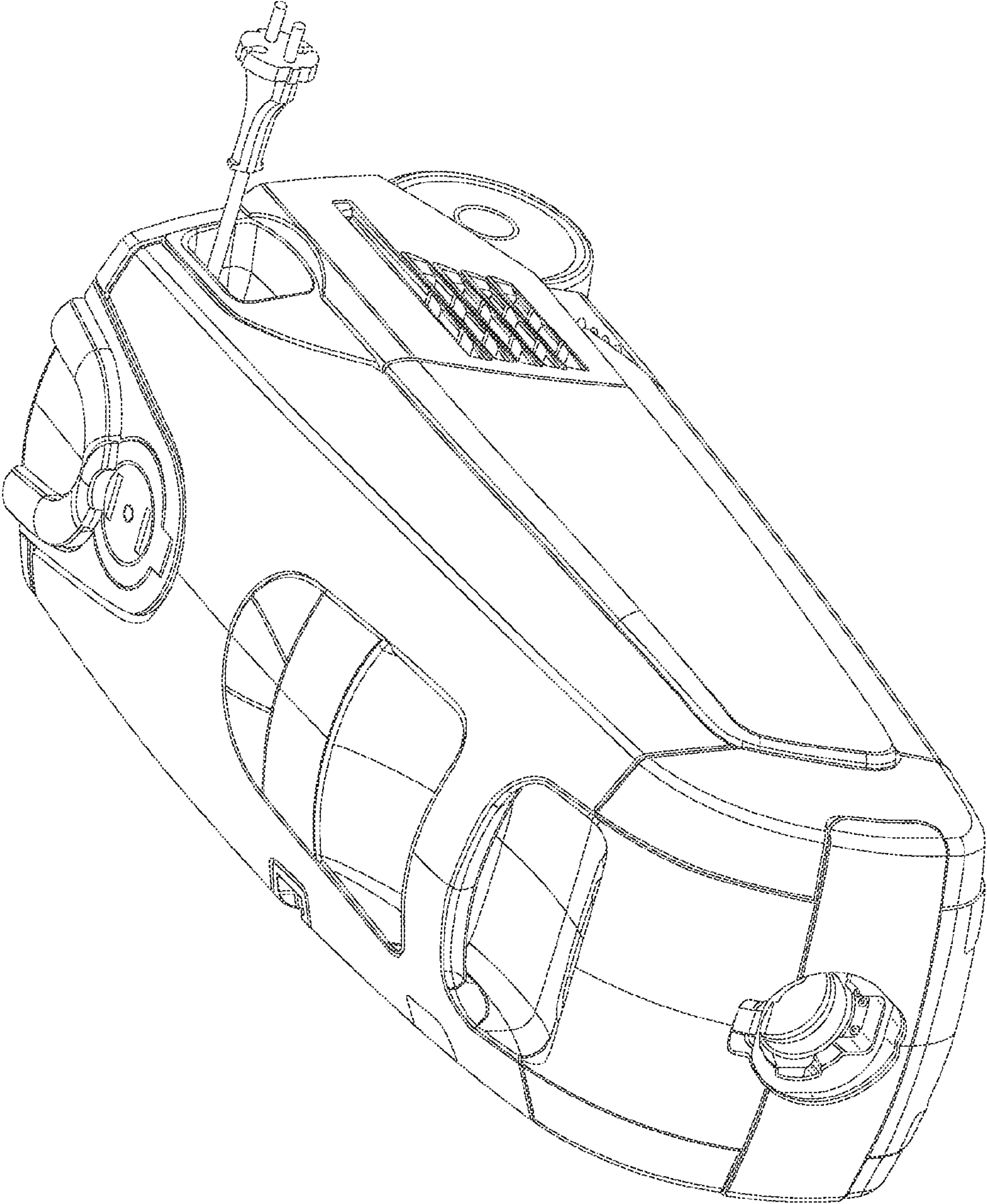


FIG. 7