



US00D614821S

(12) **United States Design Patent**
Cho et al.

(10) **Patent No.:** **US D614,821 S**

(45) **Date of Patent:** **** Apr. 27, 2010**

(54) **WASHING MACHINE**

D582,107 S * 12/2008 Ha et al. D32/6
D585,165 S * 1/2009 Kim et al. D32/6

(75) Inventors: **Kyeong Chul Cho**, Seoul (KR); **Bo Won Suh**, Seoul (KR); **Seung Hyun Song**, Seoul (KR); **Hyoung Won Roh**, Seoul (KR)

* cited by examiner

Primary Examiner—T. Chase Nelson
Assistant Examiner—Kathleen M Sims

(73) Assignee: **LG Electronics Inc.**, Seoul (KR)

(74) *Attorney, Agent, or Firm*—Birch, Stewart, Kolasch & Birch, LLP

(**) Term: **14 Years**

(57) **CLAIM**

(21) Appl. No.: **29/324,259**

The ornamental design for a washing machine, as shown and described.

(22) Filed: **Sep. 9, 2008**

(30) **Foreign Application Priority Data**

DESCRIPTION

Mar. 10, 2008 (KR) 30-2008-0010231

FIG. 1 is a front right perspective view of a washing machine showing our new design;

(51) **LOC (9) Cl.** **15-05**

FIG. 2 is a front view thereof;

(52) **U.S. Cl.** **D32/6**

FIG. 3 is a rear view thereof;

(58) **Field of Classification Search** D32/1,
D32/5, 6, 8; 68/3 R, 5 R, 12.01, 12.08; 34/523-524;
312/31; 38/1 A

FIG. 4 is a left side view thereof;

FIG. 5 is a right side view thereof;

See application file for complete search history.

FIG. 6 is a top plan view thereof; and,

FIG. 7 is a bottom plan view thereof.

(56) **References Cited**

The features shown in broken lines form no part of the claimed design.

U.S. PATENT DOCUMENTS

D564,145 S * 3/2008 Kim D32/6
D572,418 S * 7/2008 Suh et al. D32/6

1 Claim, 7 Drawing Sheets

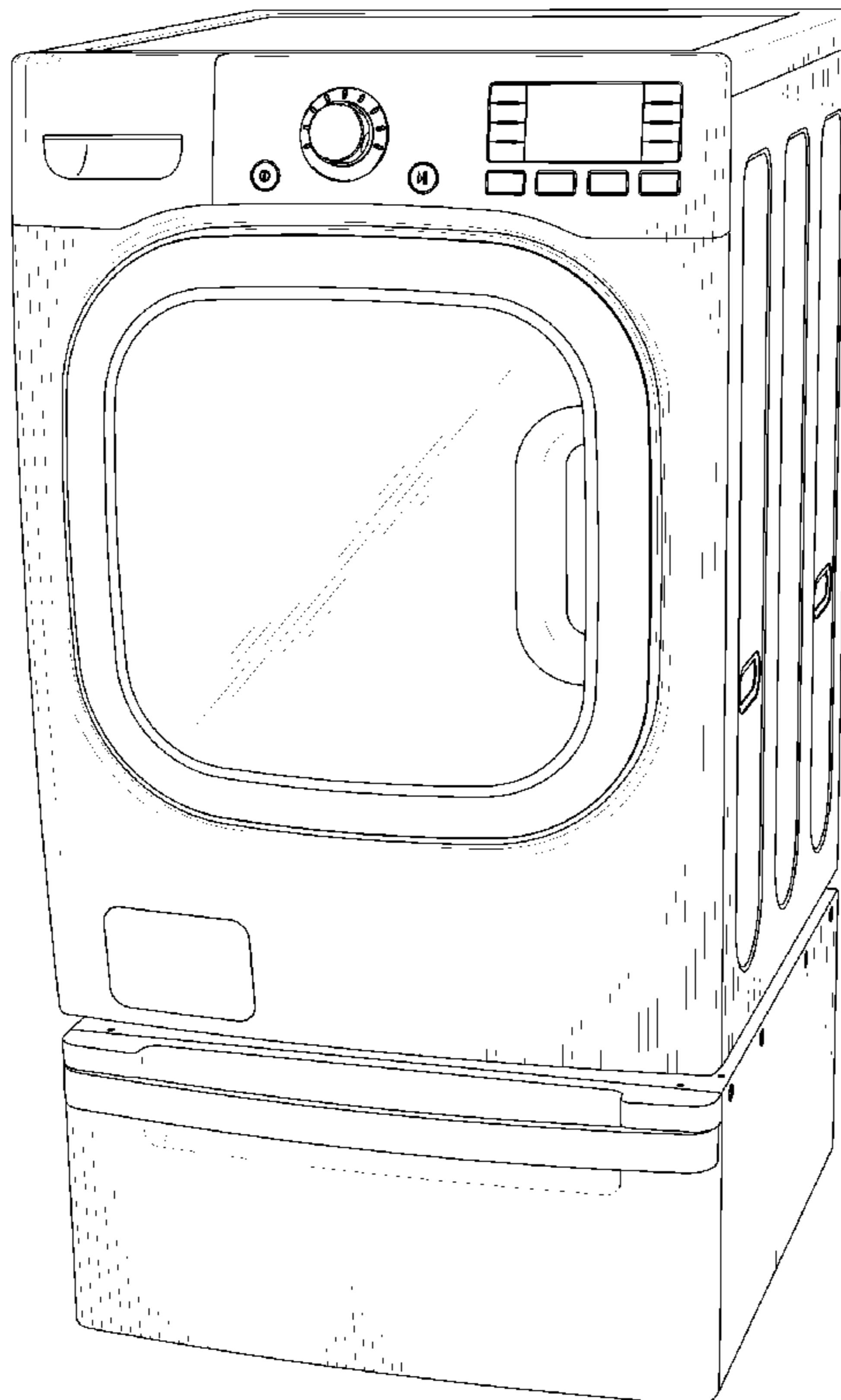


FIG. 1

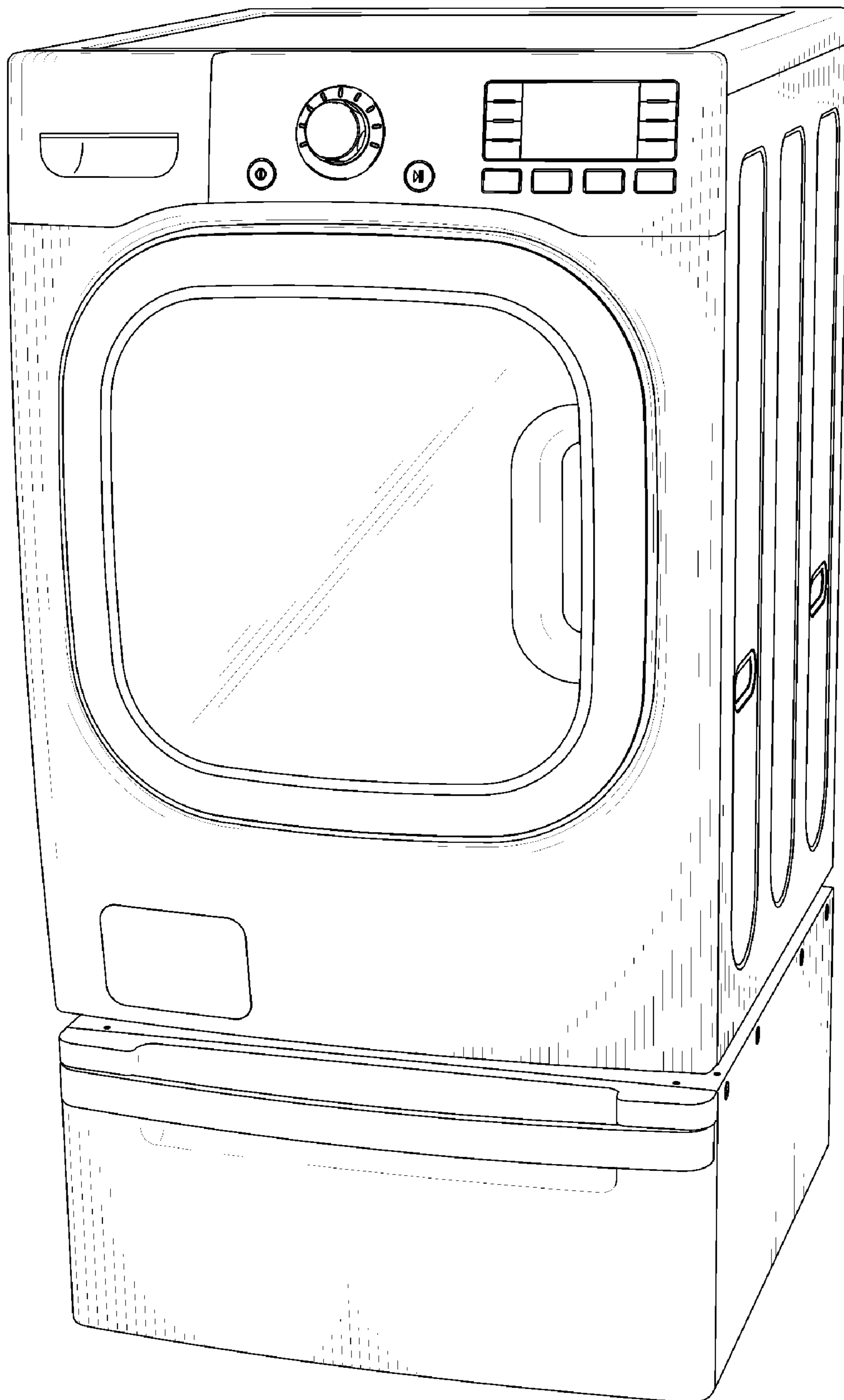


FIG. 2

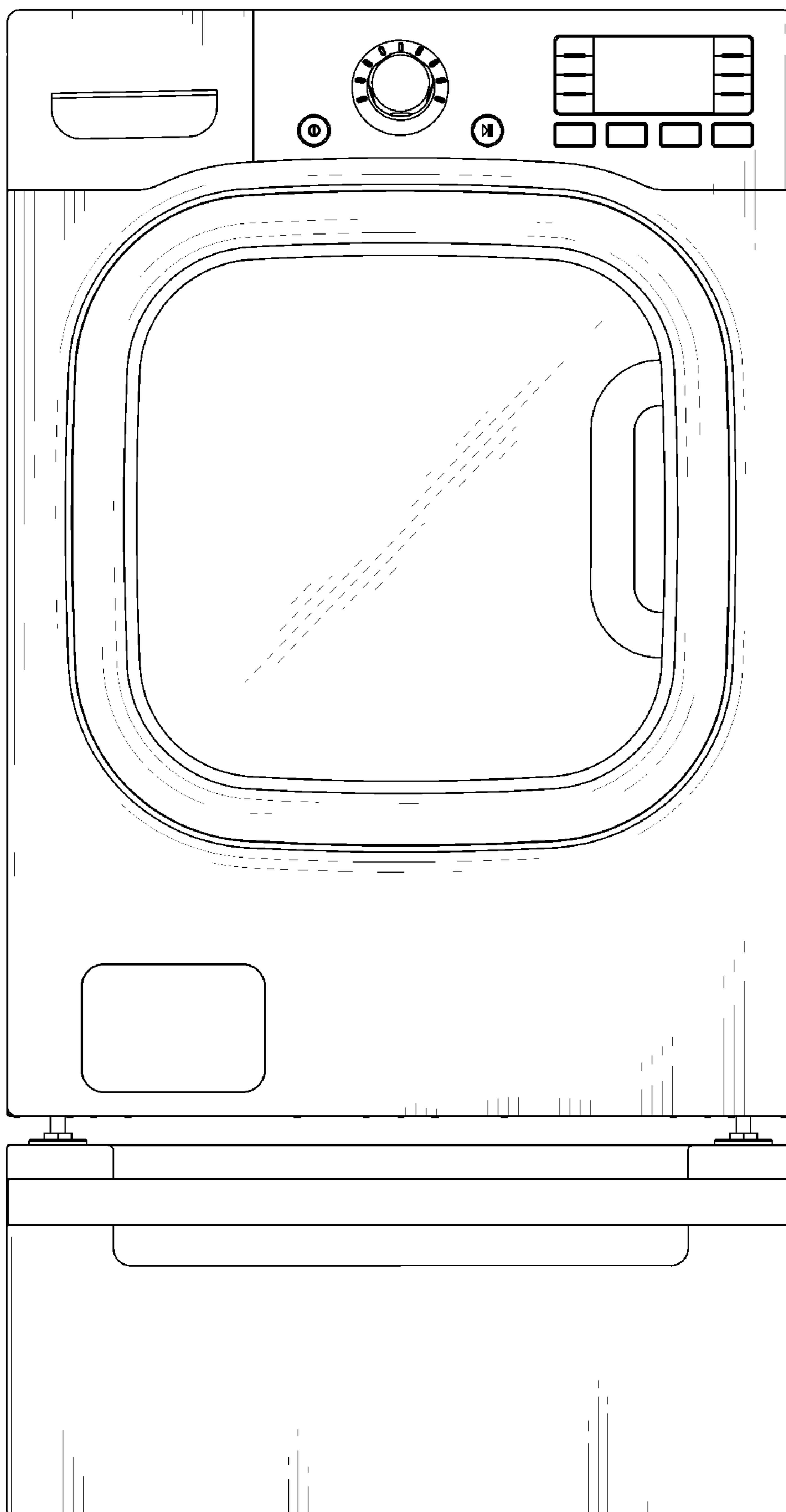


FIG. 3

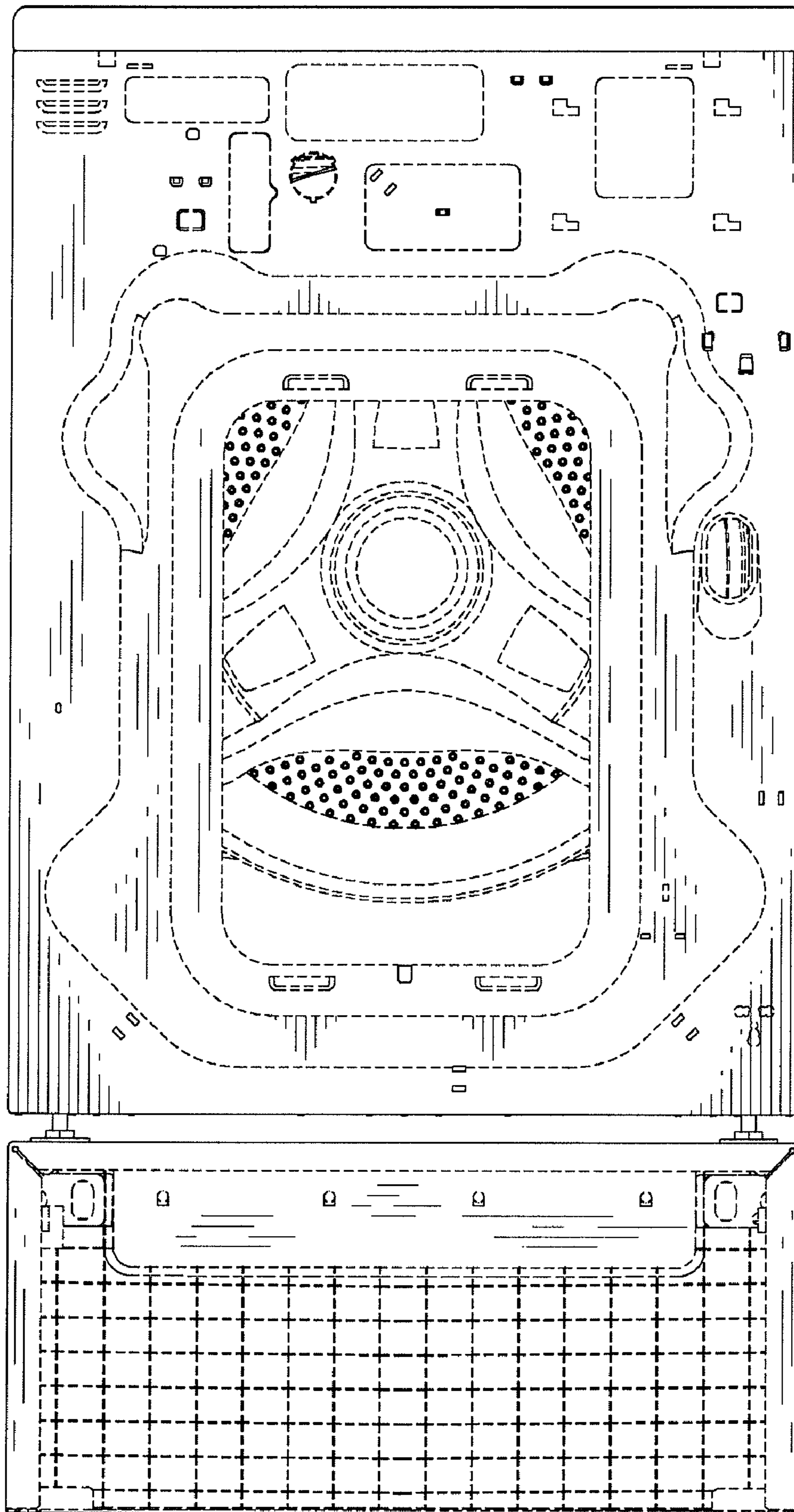


FIG. 4

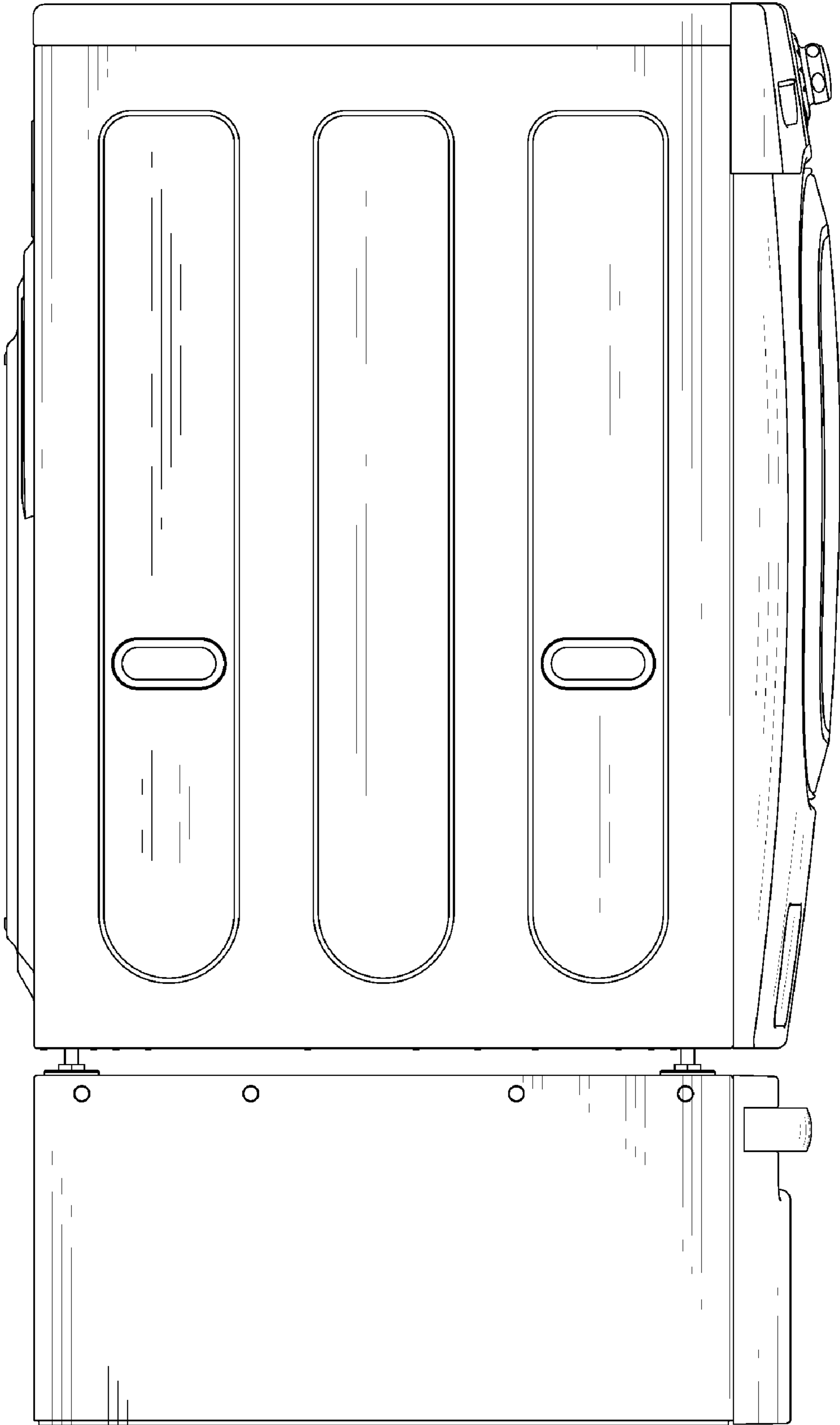


FIG. 5

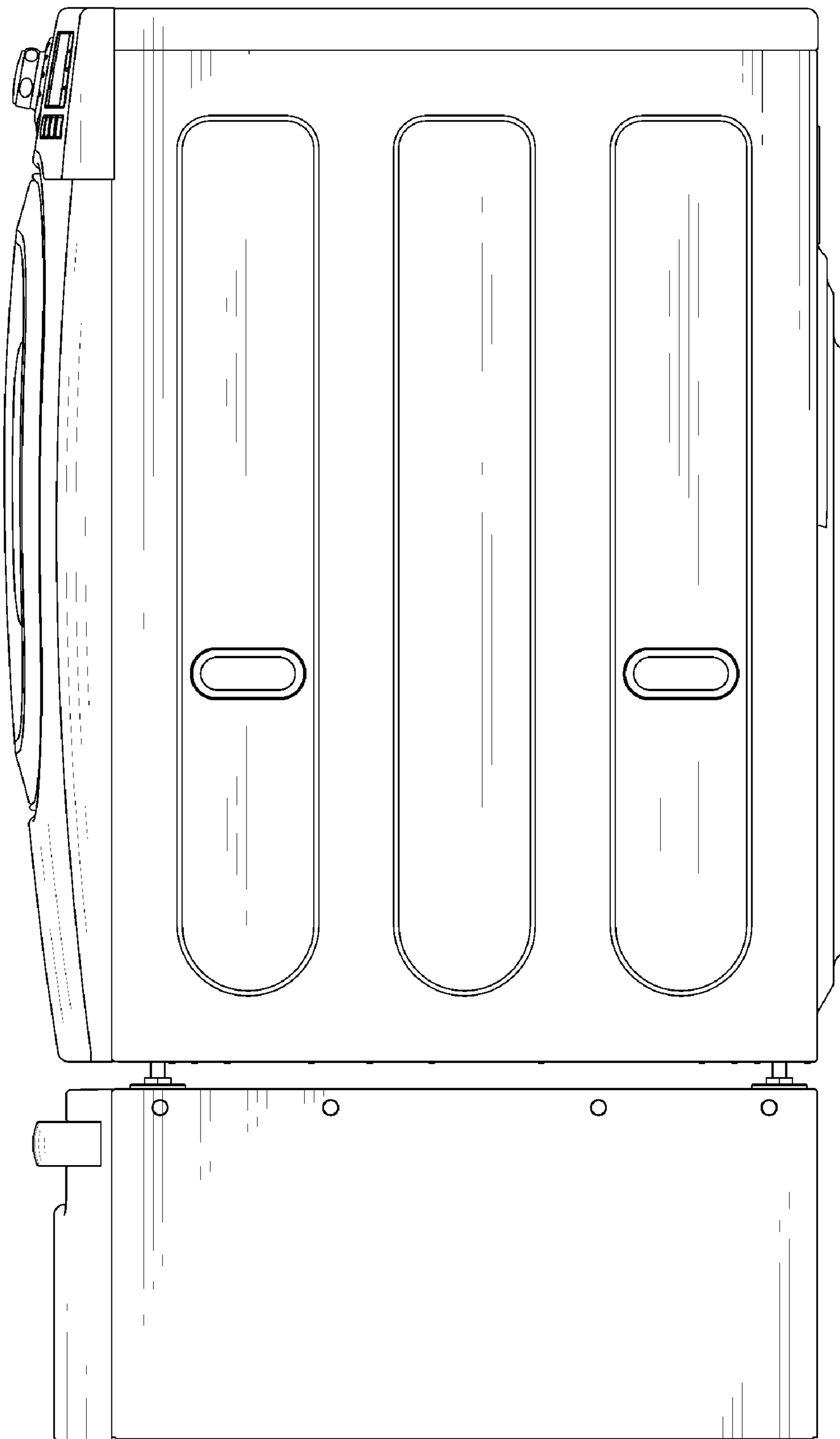


FIG. 6

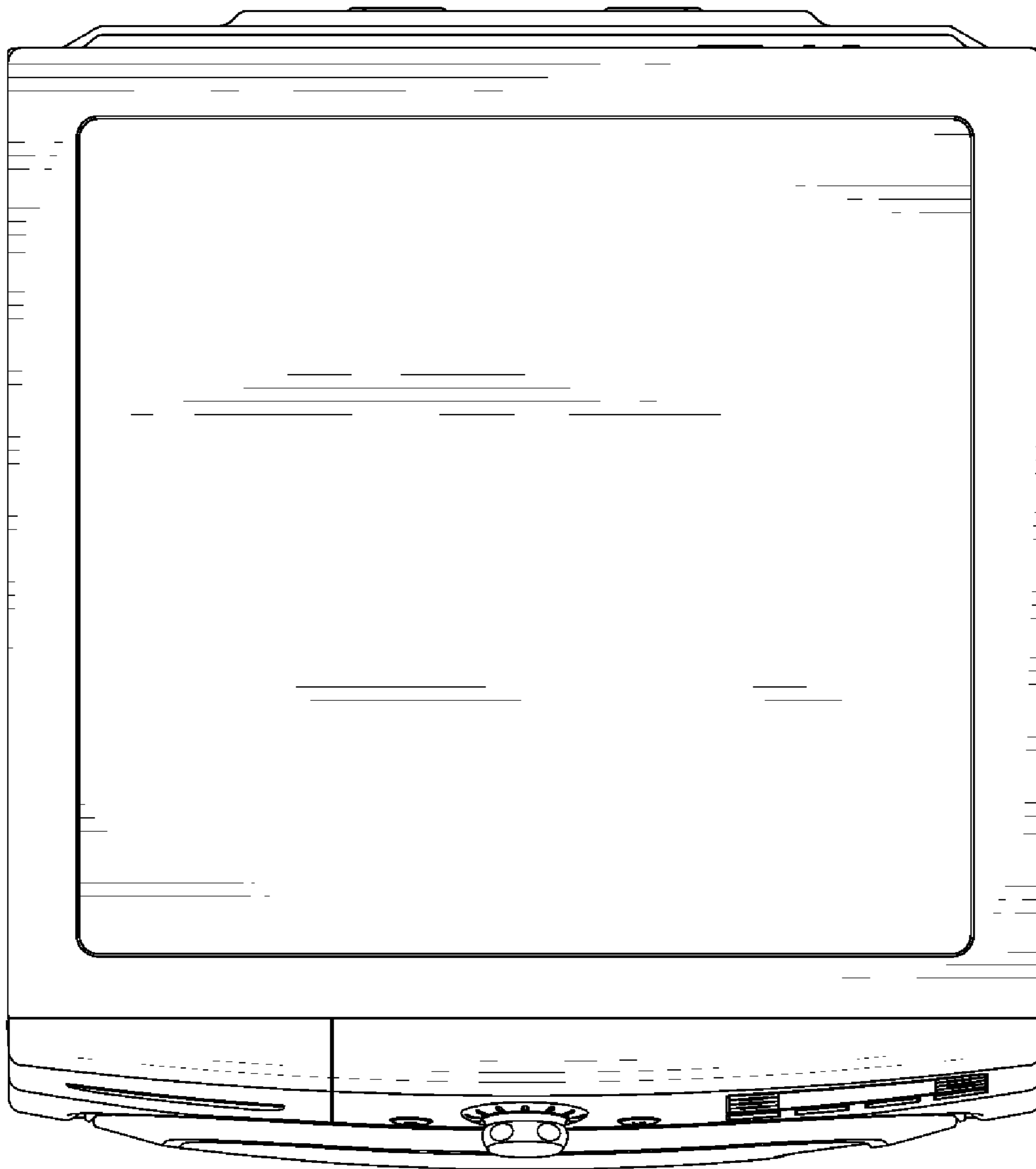


FIG. 7

