



US00D614817S

(12) **United States Design Patent**  
**LeCompte**

(10) **Patent No.:** **US D614,817 S**  
(45) **Date of Patent:** **\*\* Apr. 27, 2010**

(54) **HOOF BOOT**

(76) Inventor: **Catheleen B. LeCompte**, 350 Bateman Rd., Barrington Hills, IL (US) 60010

(\*\*) Term: **14 Years**

(21) Appl. No.: **29/308,316**

(22) Filed: **Jun. 10, 2008**

**Related U.S. Application Data**

(63) Continuation-in-part of application No. 11/888,084, filed on Jul. 31, 2007, and a continuation-in-part of application No. 11/888,087, filed on Jul. 31, 2007.

(51) **LOC (9) Cl.** ..... **30-01**

(52) **U.S. Cl.** ..... **D30/146; D30/147**

(58) **Field of Classification Search** ..... D30/146-150;  
119/850, 814; 54/82; 168/2, 1, 12, 18, 17,  
168/27, 3, 26, 22, 14, 28; 36/111, 140  
See application file for complete search history.

(56) **References Cited**

**U.S. PATENT DOCUMENTS**

64,506	A *	8/1867	Doughty	.....	54/82
70,035	A	10/1867	Sloat		
180,295	A *	7/1876	White	.....	54/82
230,155	A	7/1880	Spence		
280,107	A *	6/1883	Wild	.....	168/2
349,668	A *	9/1886	St. John	.....	168/2
392,291	A *	11/1888	Schild et al.	.....	168/2
398,834	A *	3/1889	Hoyt	.....	54/82
448,312	A *	3/1891	Barclay	.....	168/18
533,468	A *	2/1895	Ioset	.....	168/2
D26,832	S	3/1897	Hirsch		
601,541	A	3/1898	Anderson		
609,551	A	8/1898	Lang		
617,153	A *	1/1899	Galpin	.....	168/2
630,310	A *	8/1899	Agnew	.....	168/2
D33,615	S *	11/1900	Smith	.....	D30/146

719,687	A *	2/1903	Nickerson	.....	168/2
797,895	A *	8/1905	Johnson	.....	168/18
815,208	A *	3/1906	O'Donnell	.....	165/67
914,003	A *	3/1909	Woolverton	.....	168/27
1,039,002	A	9/1912	Winston		
1,123,953	A *	1/1915	Szarka	.....	168/18
1,434,275	A *	10/1922	Wozny	.....	168/1
1,452,317	A *	4/1923	Simon et al.	.....	168/18
1,825,186	A	9/1931	Harsem		
2,041,538	A	5/1936	Gash et al.		
2,064,566	A *	12/1936	Richman	.....	36/111
2,446,371	A *	8/1948	Jones	.....	36/111
2,535,394	A *	12/1950	Davis	.....	36/111
3,236,310	A	2/1966	Quick		
3,386,226	A *	6/1968	Code et al.	.....	54/82

(Continued)

*Primary Examiner*—Susan Moon Lee

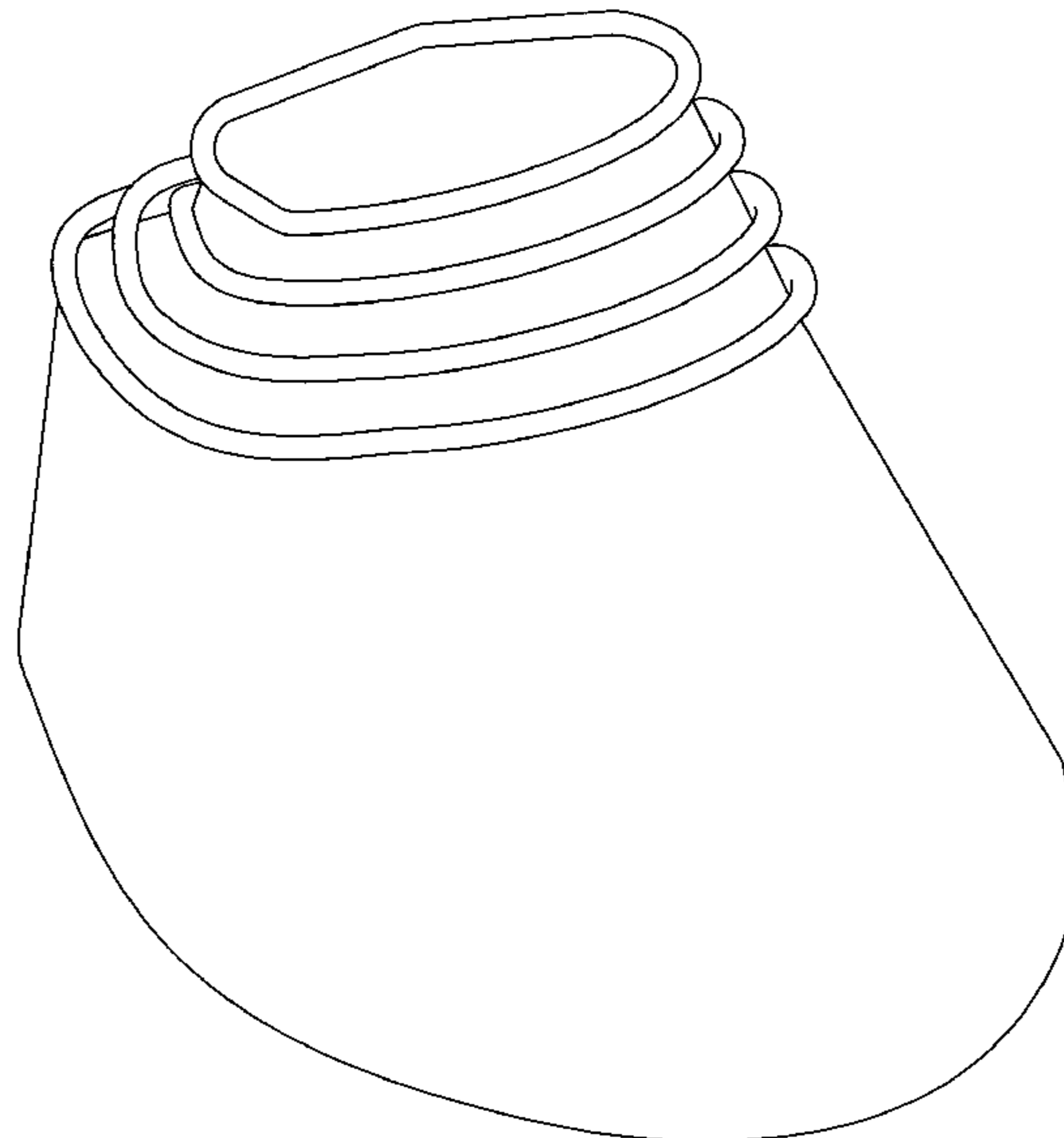
(57) **CLAIM**

I claim the ornamental design for a hoof boot, as shown and described:

**DESCRIPTION**

- FIG. 1 is a top, front perspective view of the hoof boot.
- FIG. 2 is a top view of the hoof boot.
- FIG. 3 is a bottom view of the hoof boot.
- FIG. 4 is a side view of the hoof boot.
- FIG. 5 is a second side view of the hoof boot.
- FIG. 6 is a front view of the hoof boot; and,
- FIG. 7 is a back view of the hoof boot.

**1 Claim, 7 Drawing Sheets**



# US D614,817 S

Page 2

## U.S. PATENT DOCUMENTS

3,486,561	A *	12/1969	Kulak	168/4	6,516,594	B2	2/2003	Clark et al.	
3,800,504	A *	4/1974	Gregory	54/82	6,560,951	B1 *	5/2003	Wood	54/82
4,189,004	A	2/1980	Glass		6,644,000	B2 *	11/2003	Clark et al.	54/82
4,290,487	A *	9/1981	Unger	168/18	6,662,537	B1 *	12/2003	Wilson	54/82
4,470,466	A *	9/1984	Nakanishi	168/18	6,694,713	B1 *	2/2004	MacDonald	54/82
4,503,914	A	3/1985	Voland		7,207,163	B2 *	4/2007	Maestrini	54/82
4,548,026	A *	10/1985	Shidner	54/82	2003/0070356	A1 *	4/2003	Wibmer et al.	47/65.7
D285,499	S *	9/1986	Nakanishi	D30/149	2003/0070403	A1 *	4/2003	Osha et al.	54/82
4,736,800	A *	4/1988	Rohner	168/18	2003/0167739	A1	9/2003	Clark et al.	
4,981,010	A *	1/1991	Orza et al.	54/82	2005/0072128	A1 *	4/2005	Ruetenik	54/82
5,129,461	A	7/1992	Igrow		2005/0092260	A1 *	5/2005	Paxton et al.	119/850
5,176,221	A	1/1993	Aprill		2006/0037561	A1 *	2/2006	Fine	119/850
5,588,288	A	12/1996	Origgi et al.		2006/0231045	A1 *	10/2006	Lindley	119/856
5,983,611	A *	11/1999	Smahl et al.	54/82	2007/0039289	A1 *	2/2007	LeCompte	54/82
6,062,008	A *	5/2000	Nor	54/82	2008/0083198	A1 *	4/2008	Wilson	54/82
6,393,810	B1 *	5/2002	Mier	54/82	2008/0092496	A1 *	4/2008	Huffman et al.	54/1
					2009/0061162	A1 *	3/2009	Wilson	428/172

\* cited by examiner

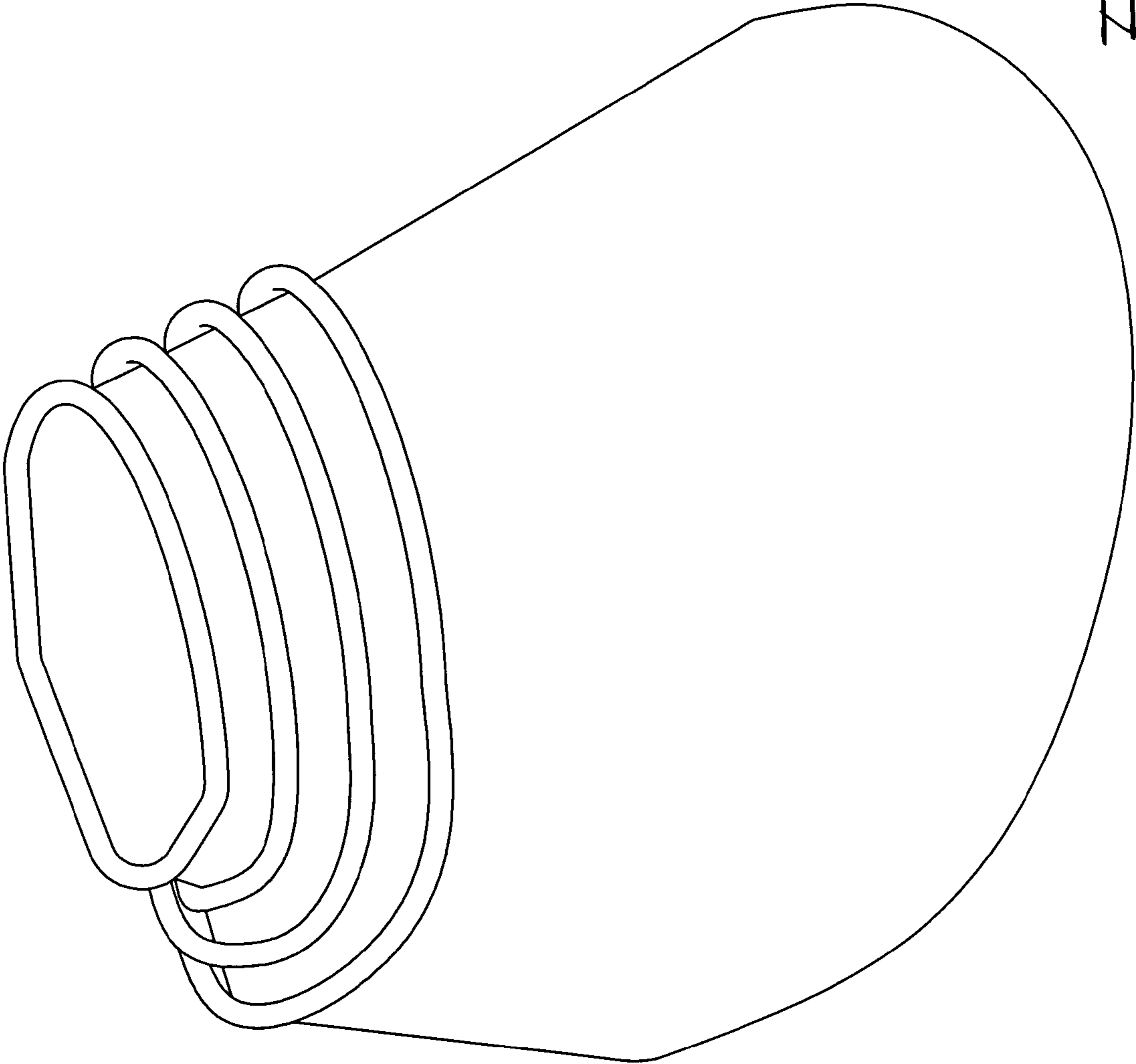


FIG. 1

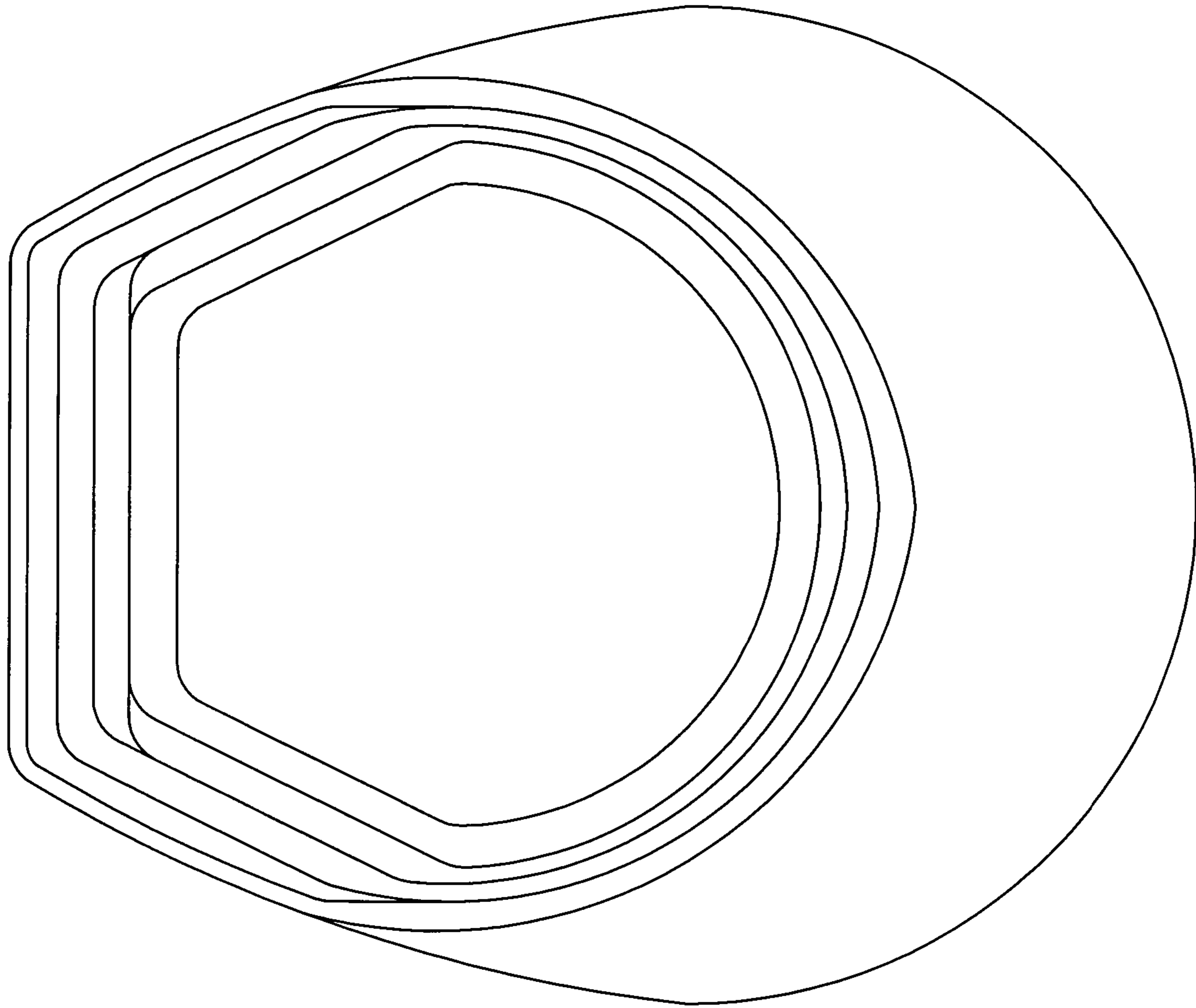


FIG. 2

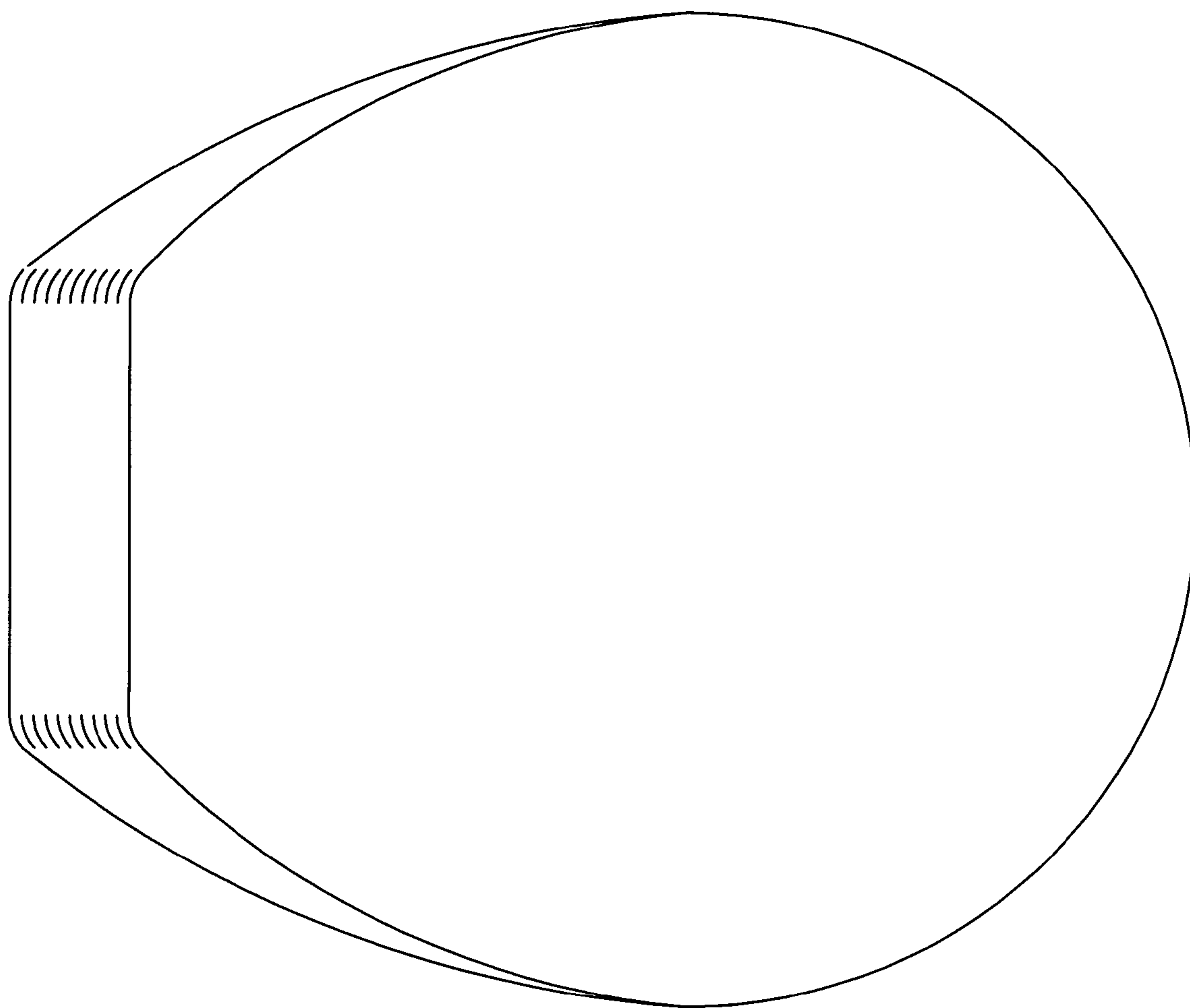


FIG. 3

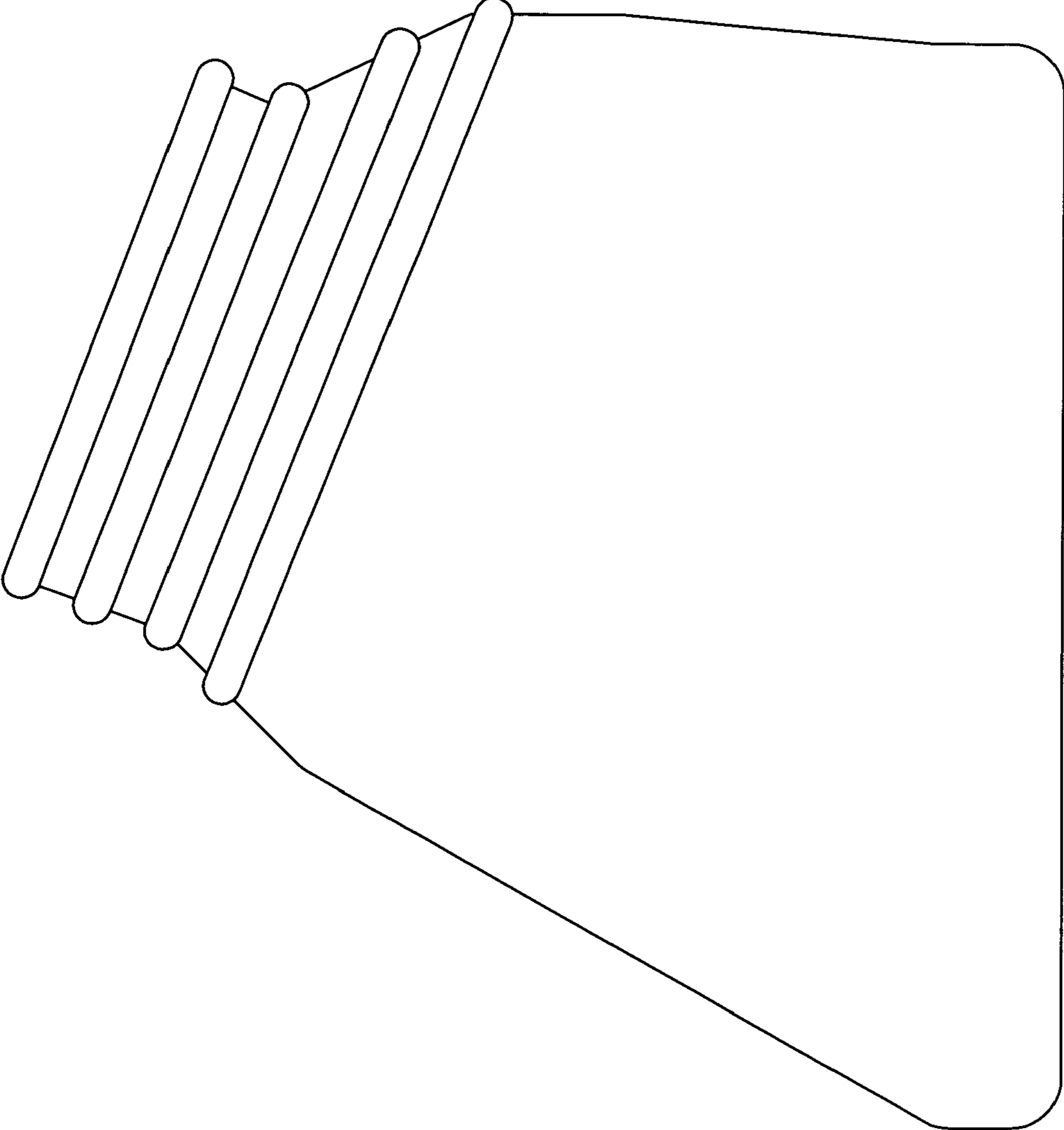


FIG. 4

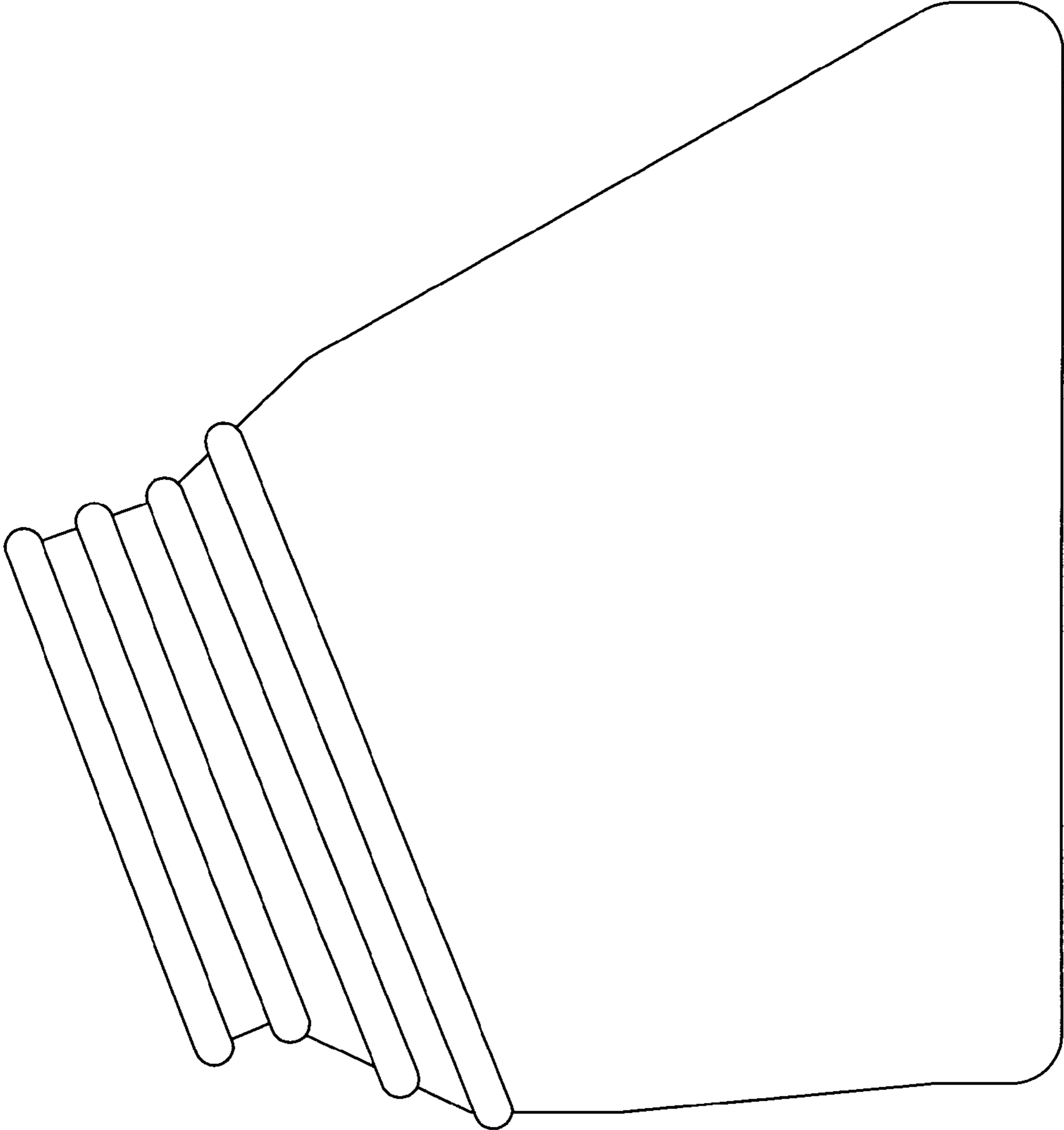


FIG. 5

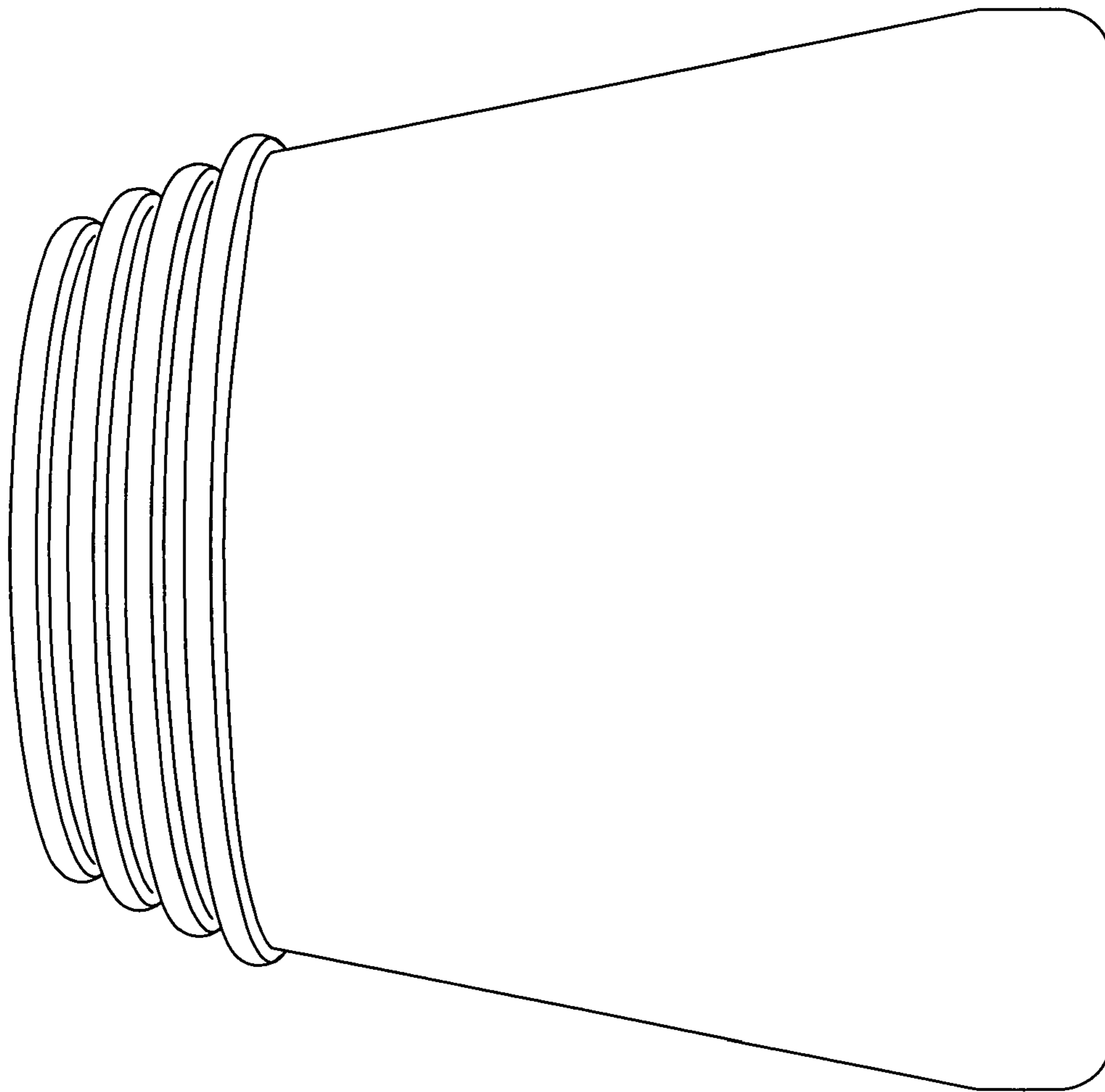


FIG. 6



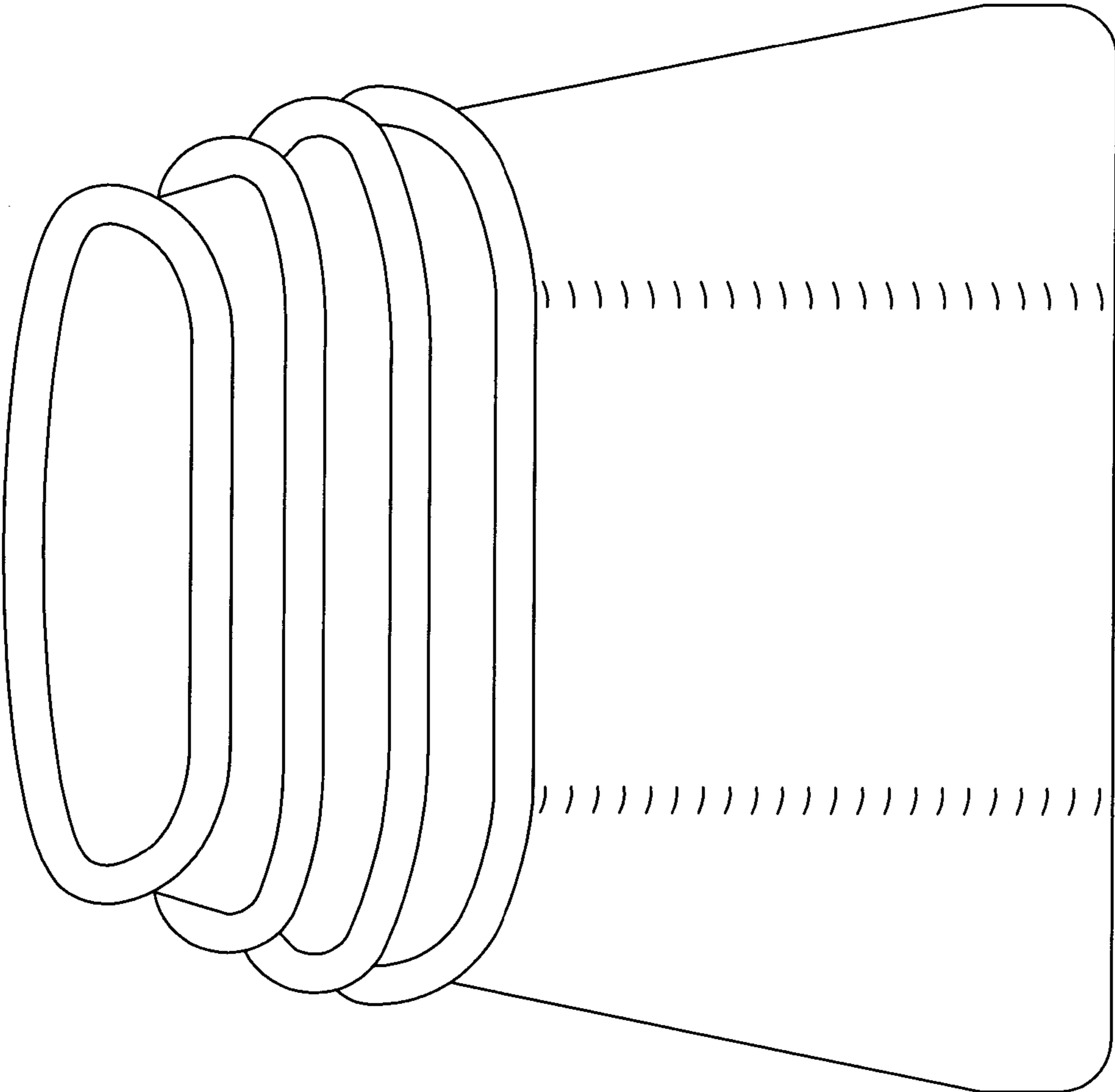


FIG 7