



US00D614812S

(12) **United States Design Patent**
Liu

(10) **Patent No.:** **US D614,812 S**
(45) **Date of Patent:** **** Apr. 27, 2010**

(54) **HAND DRYER**

(75) Inventor: **Shen-Chen Liu**, Rueifang Township,
Taipei County (TW)

(73) Assignee: **Hokwang Industries Co., Ltd.**, Taipei
County (TW)

(**) Term: **14 Years**

(21) Appl. No.: **29/337,987**

(22) Filed: **Jun. 3, 2009**

(51) **LOC (9) Cl.** **28-03**

(52) **U.S. Cl.** **D28/54.1**

(58) **Field of Classification Search** D28/12,
D28/54.1, 58; 34/266, 201, 202; 392/381,
392/380; D23/357, 361, 385
See application file for complete search history.

(56) **References Cited**

U.S. PATENT DOCUMENTS

D196,422 S *	10/1963	Levine	D28/54.1
D294,875 S *	3/1988	Keck et al.	D28/54.1
D415,857 S *	10/1999	Ayre	D28/54.1
D420,764 S *	2/2000	Conway et al.	D28/54.1
D428,204 S *	7/2000	Elliott	D28/54.1
D432,266 S *	10/2000	Lefebvre	D28/54.1

D441,139 S *	4/2001	Hansen	D28/54.1
D477,037 S *	7/2003	O'Connor	D20/42
D543,661 S *	5/2007	Liao	D28/54.1

* cited by examiner

Primary Examiner—Janice E Seeger

Assistant Examiner—Zenia I Bennett

(74) *Attorney, Agent, or Firm*—Ching-Ling Huang

(57) **CLAIM**

The ornamental design for a hand dryer, as shown and described.

DESCRIPTION

FIG. 1 is a perspective view of a hand dryer showing my new design thereof;

FIG. 2 is a right side elevational view thereof (left side elevational view is symmetrical to the right side elevational view);

FIG. 3 is a top plan view thereof;

FIG. 4 is a front side elevational view thereof;

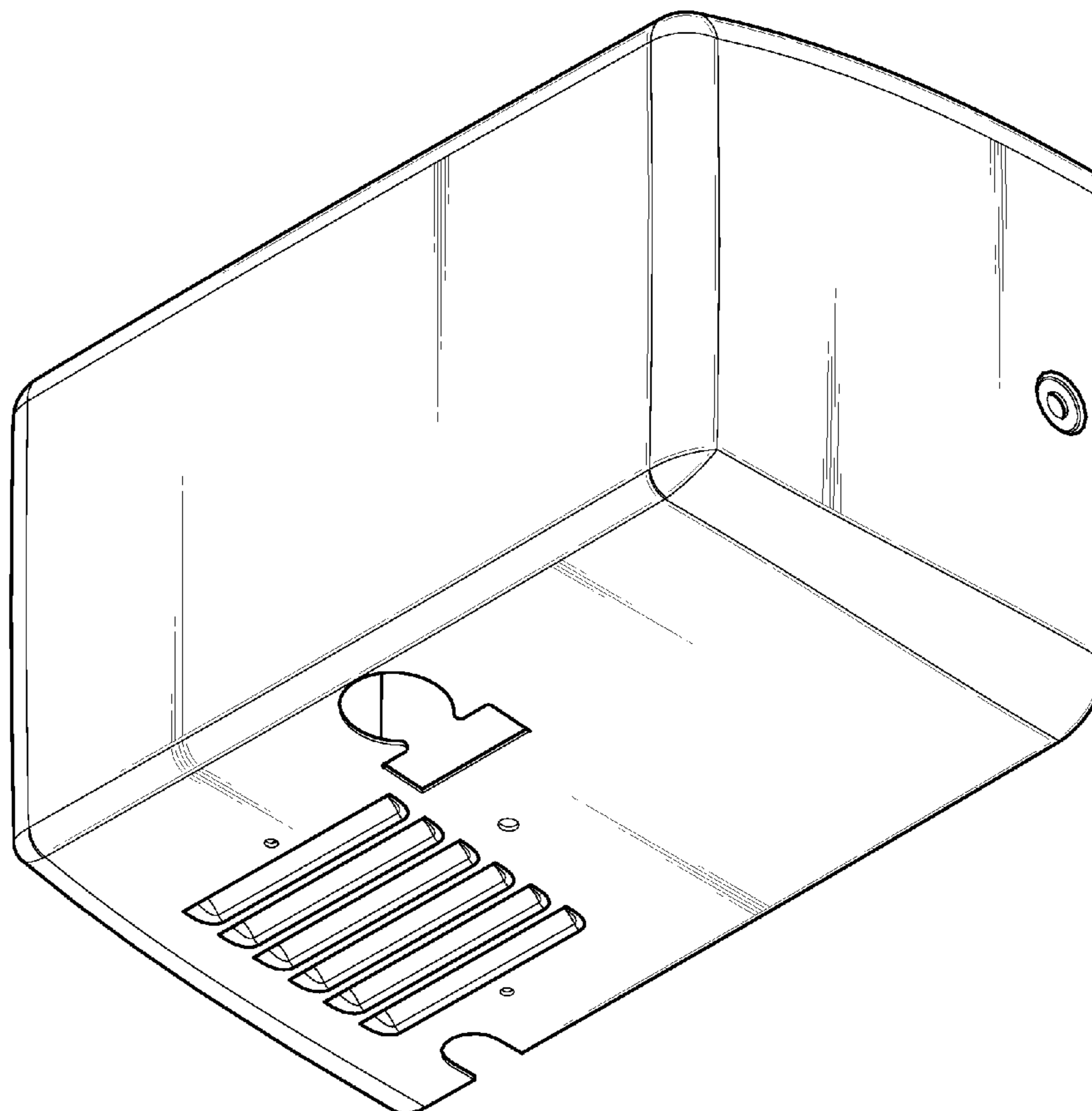
FIG. 5 is a bottom plan view thereof;

FIG. 6 is a rear side elevational view thereof;

FIG. 7 is another perspective view thereof; and,

FIG. 8 is yet another perspective view thereof.

1 Claim, 6 Drawing Sheets



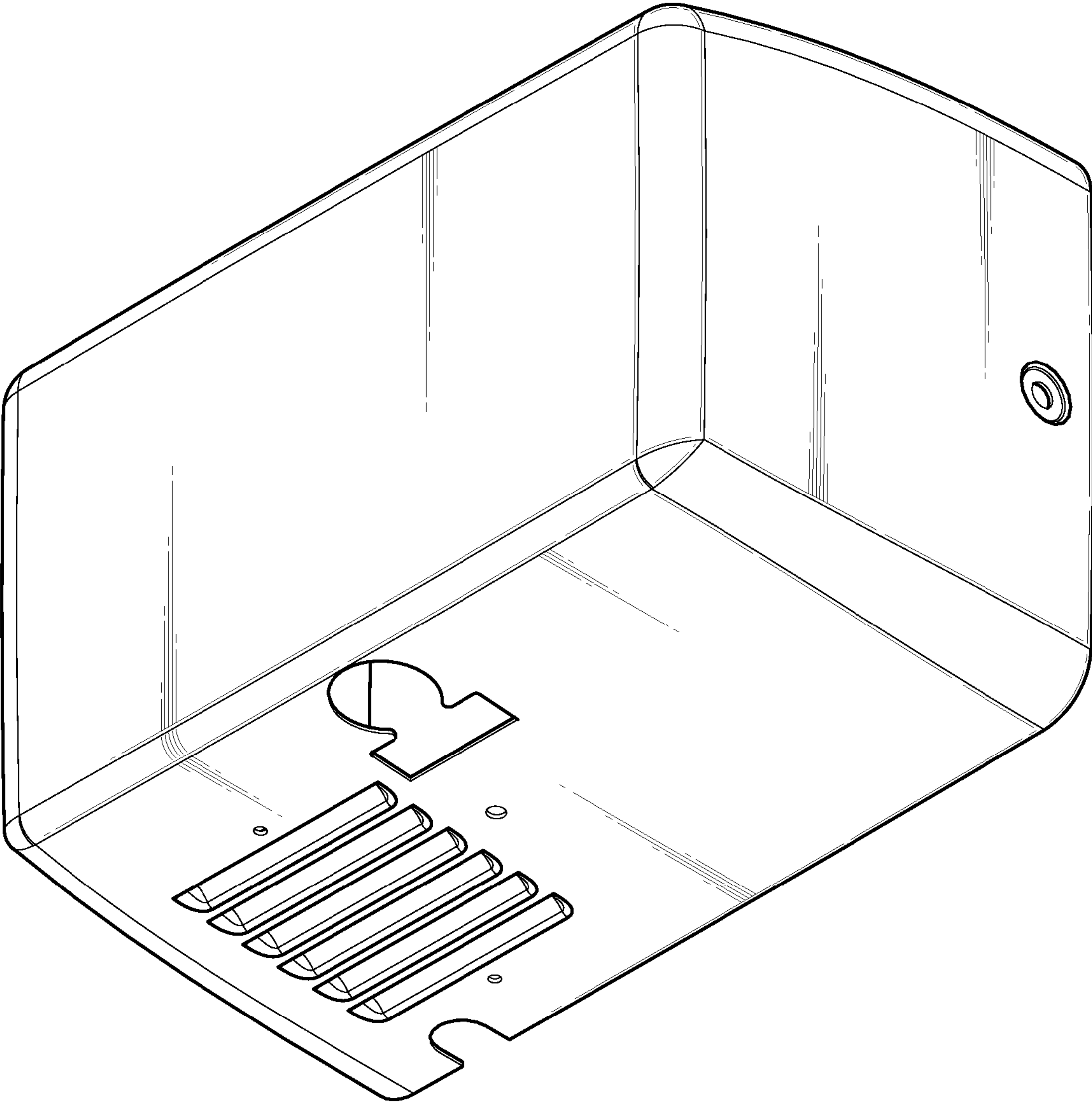


Fig. 1

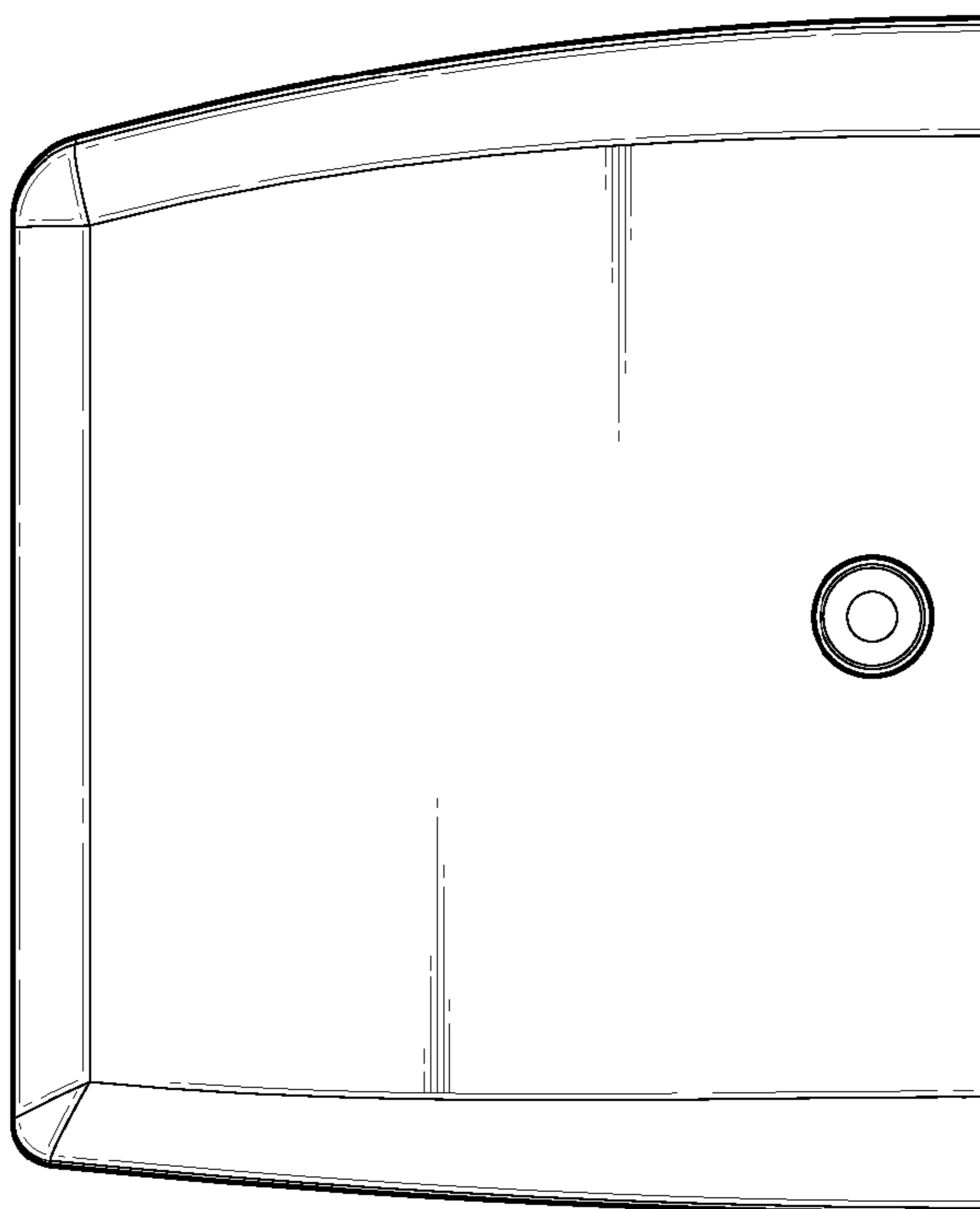


Fig. 2

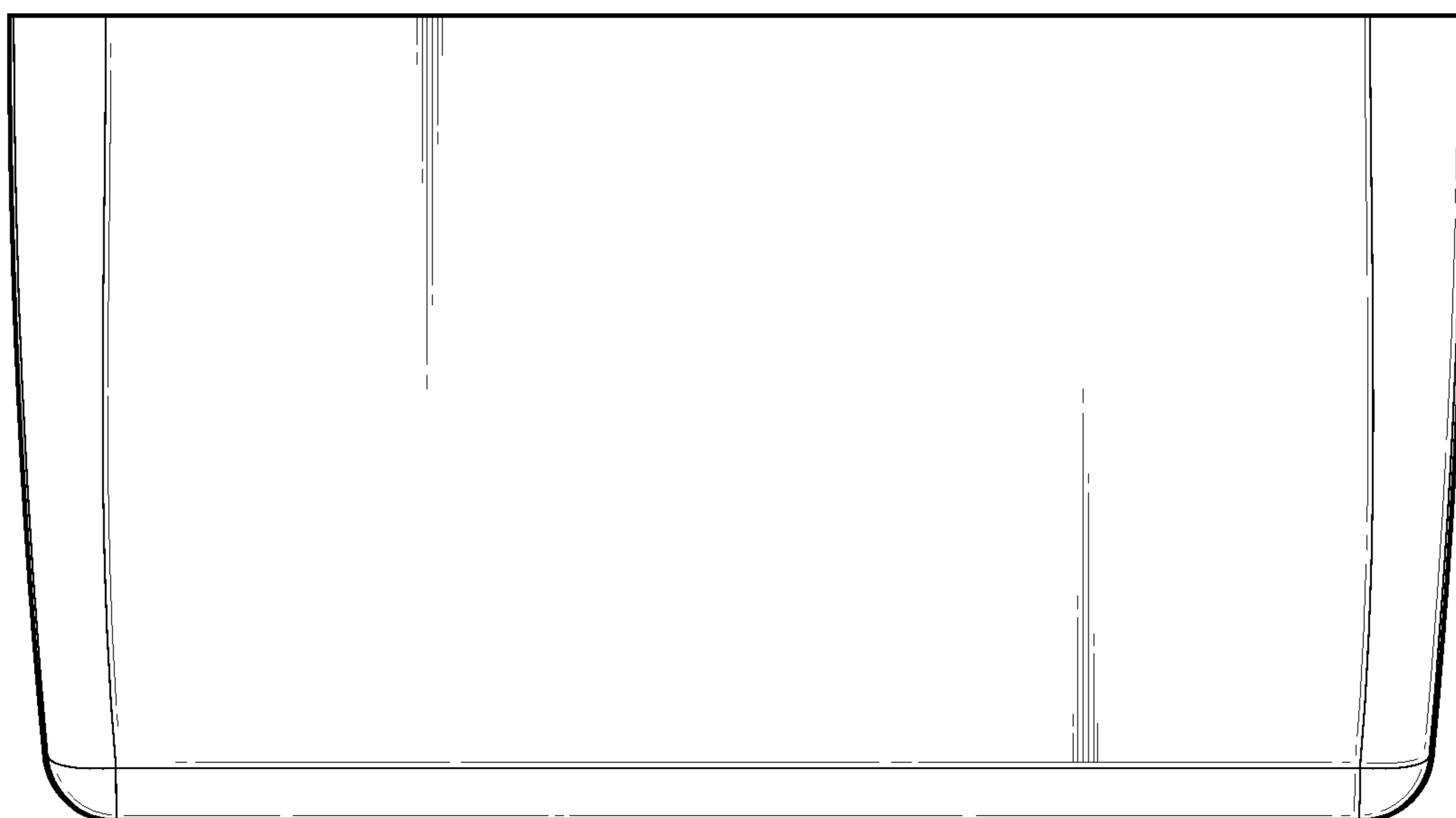


Fig. 3

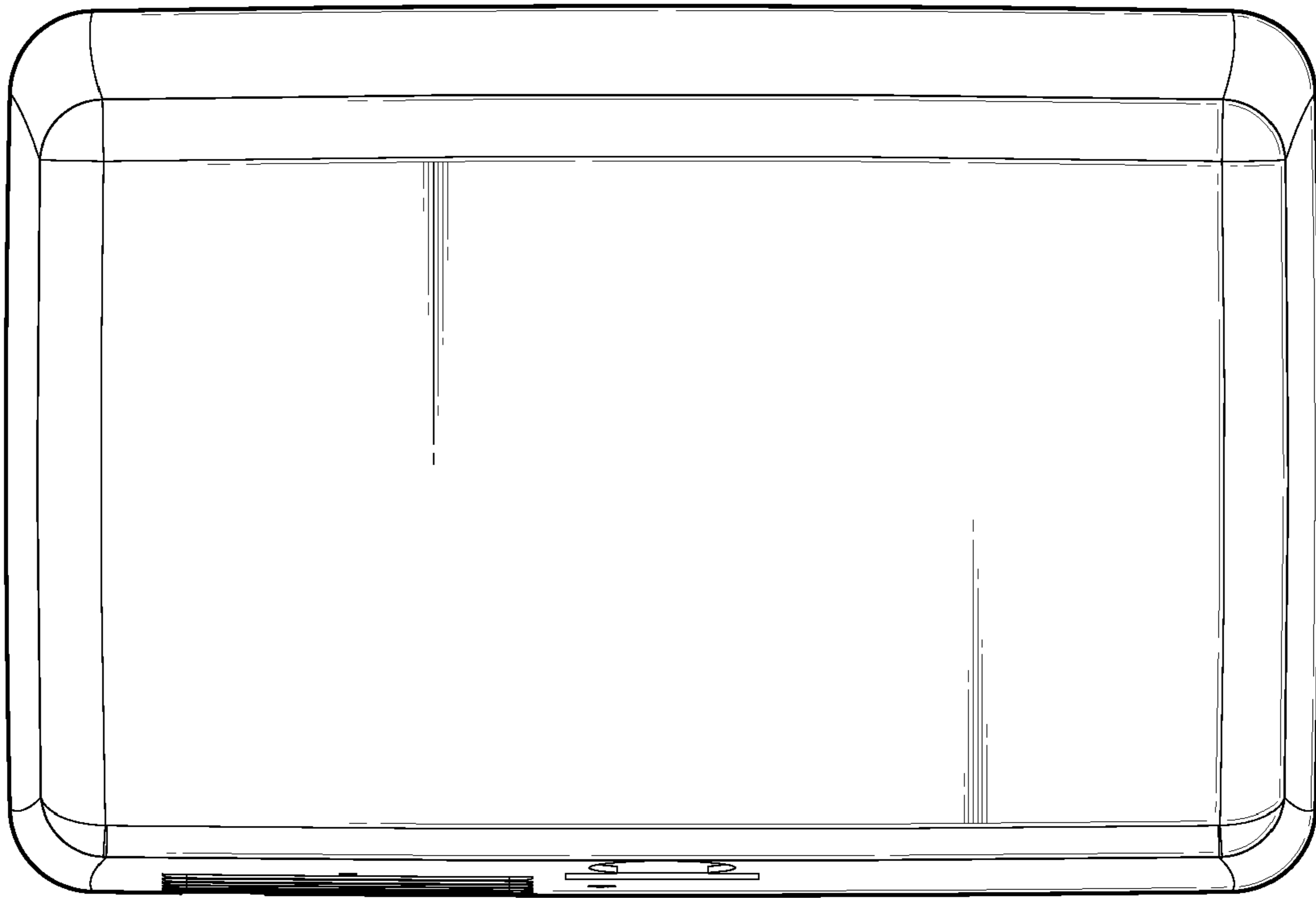


Fig. 4

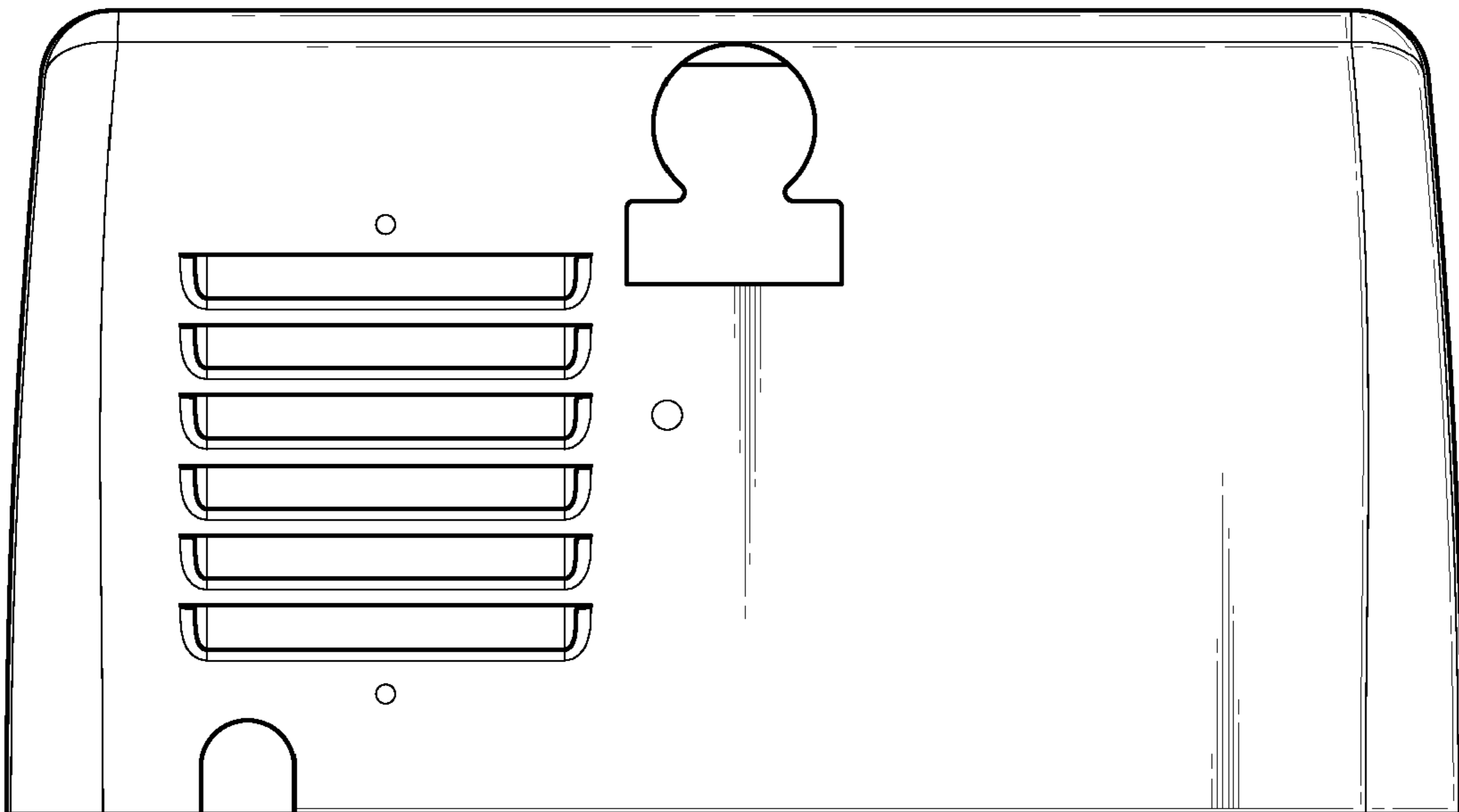


Fig. 5

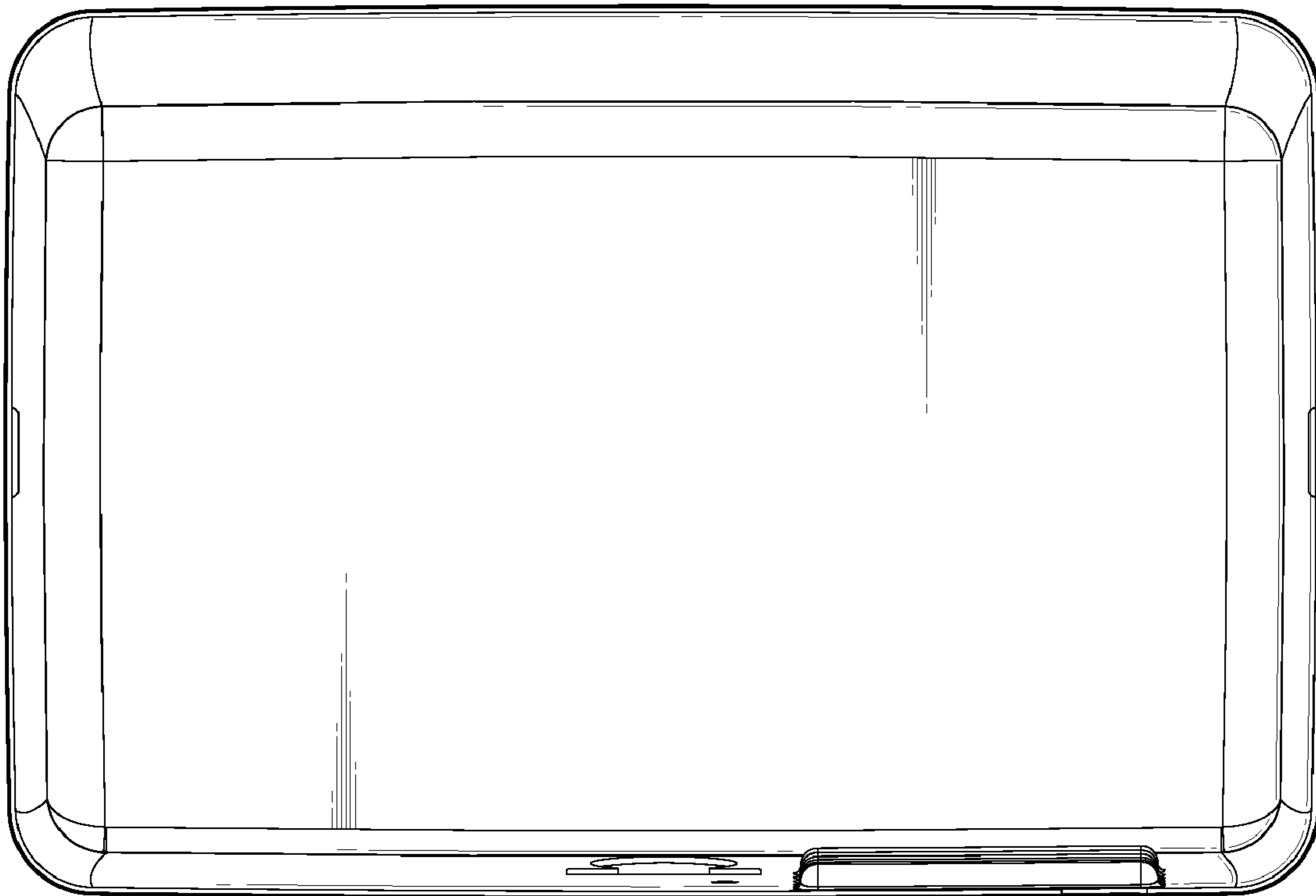


Fig. 6

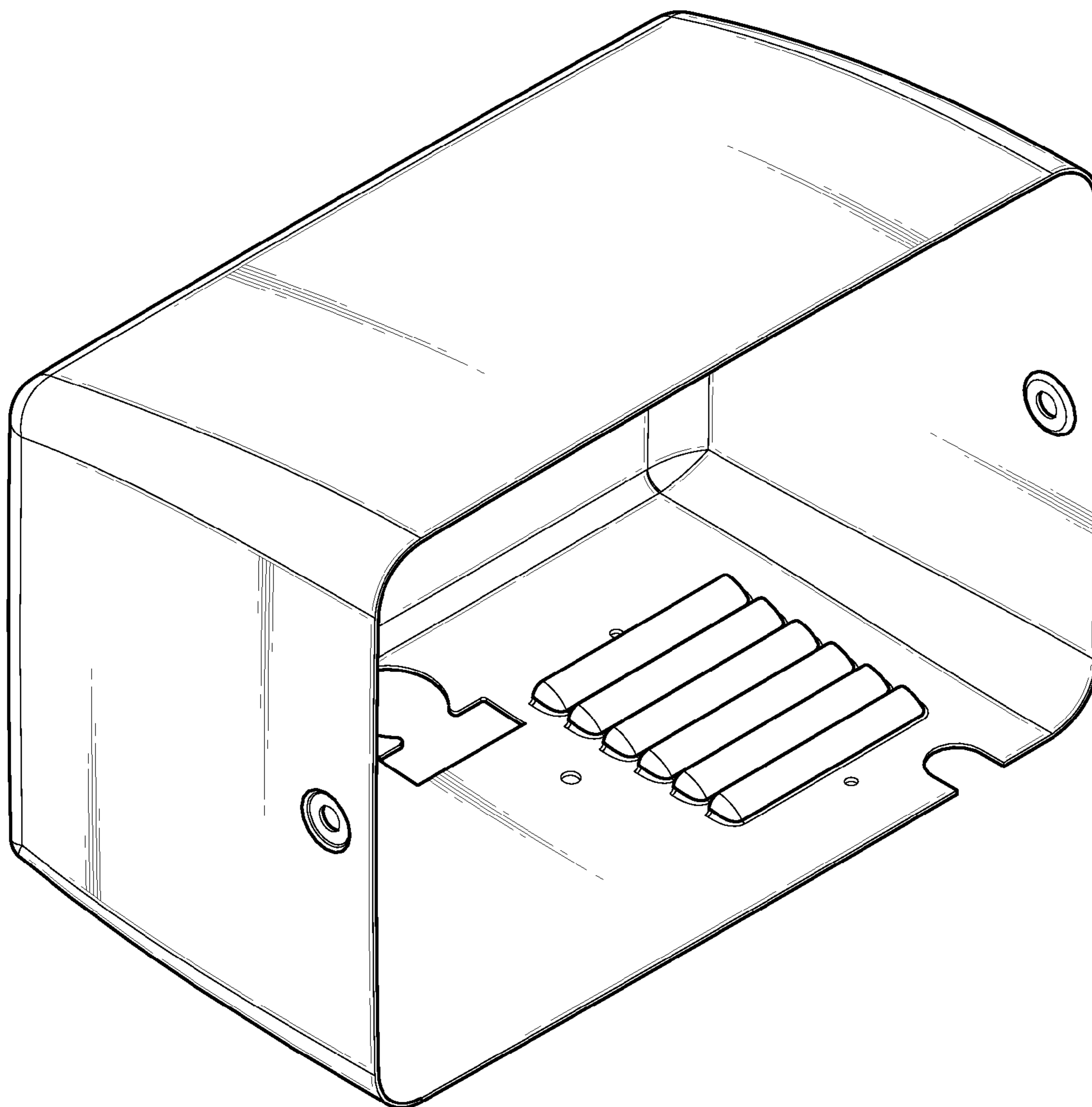


Fig. 7

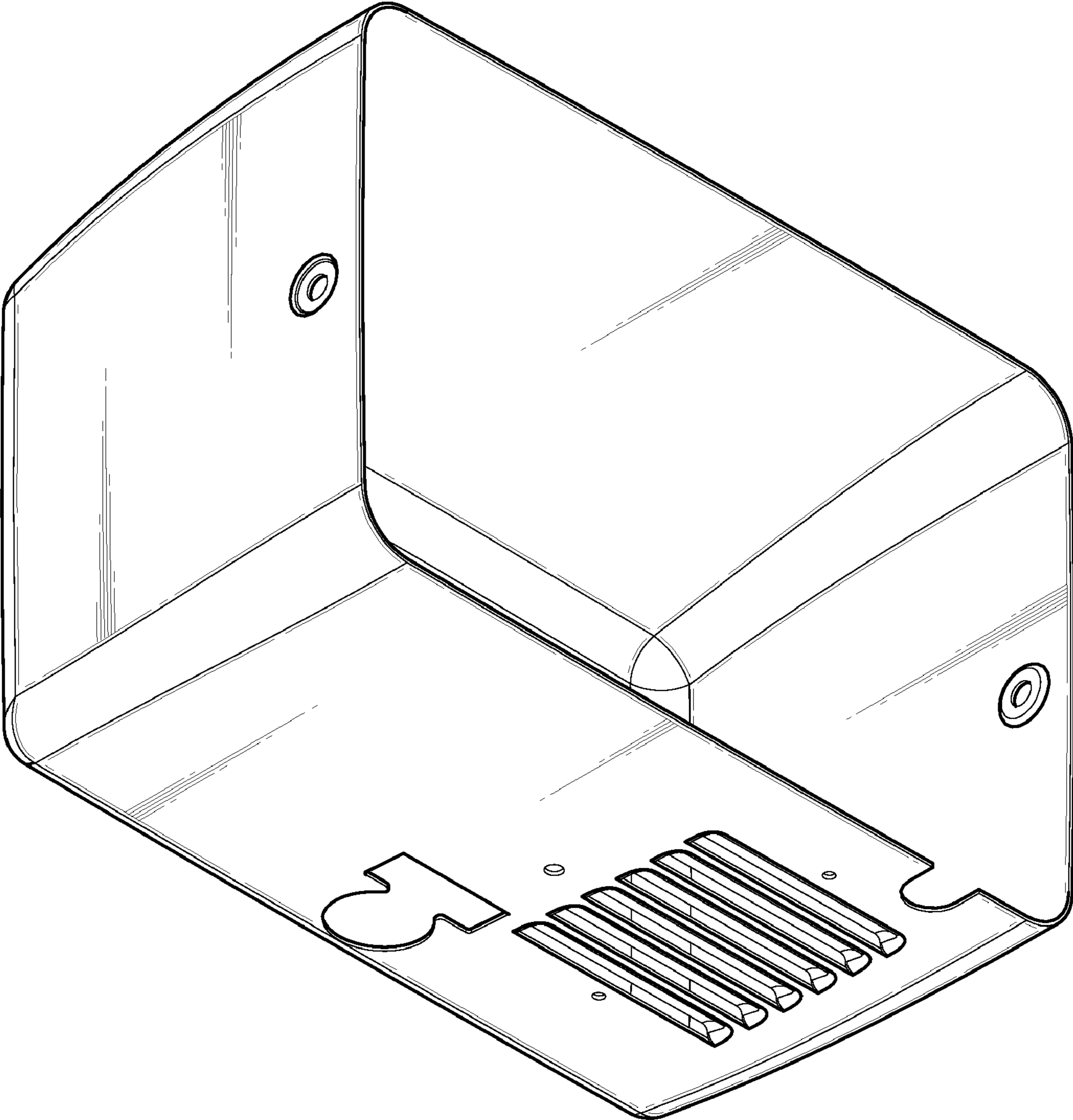


Fig. 8