



US00D614809S

(12) **United States Design Patent**
Bae

(10) **Patent No.:** **US D614,809 S**
(45) **Date of Patent:** **** Apr. 27, 2010**

(54) **RAZOR**
(75) Inventor: **Seok Min Bae**, Siheung-si (KR)
(73) Assignee: **Dorco Co., Ltd.**, Seoul (KR)
(**) Term: **14 Years**
(21) Appl. No.: **29/346,871**
(22) Filed: **Nov. 6, 2009**

(30) **Foreign Application Priority Data**
May 12, 2009 (KR) 30-2009-0020173

(51) **LOC (9) Cl.** **28-03**
(52) **U.S. Cl.** **D28/46**
(58) **Field of Classification Search** 30/32,
30/34.05, 34.1-34.2, 41, 44-46, 47-51, 57-58,
30/77-84, 526-536, 537-539; D28/44-49
See application file for complete search history.

(56) **References Cited**

U.S. PATENT DOCUMENTS

D534,315 S * 12/2006 Provost et al. D28/46
D534,688 S * 1/2007 Provost et al. D28/48

D536,133 S * 1/2007 Bozikis et al. D28/48
D563,046 S * 2/2008 Provost et al. D28/48
D568,537 S * 5/2008 Micinilio et al. D28/48
D571,955 S * 6/2008 Wonderley et al. D28/48
D591,451 S * 4/2009 Micinilio et al. D28/46

* cited by examiner

Primary Examiner—Jennifer Rivard
(74) *Attorney, Agent, or Firm*—Fenwick & West LLP

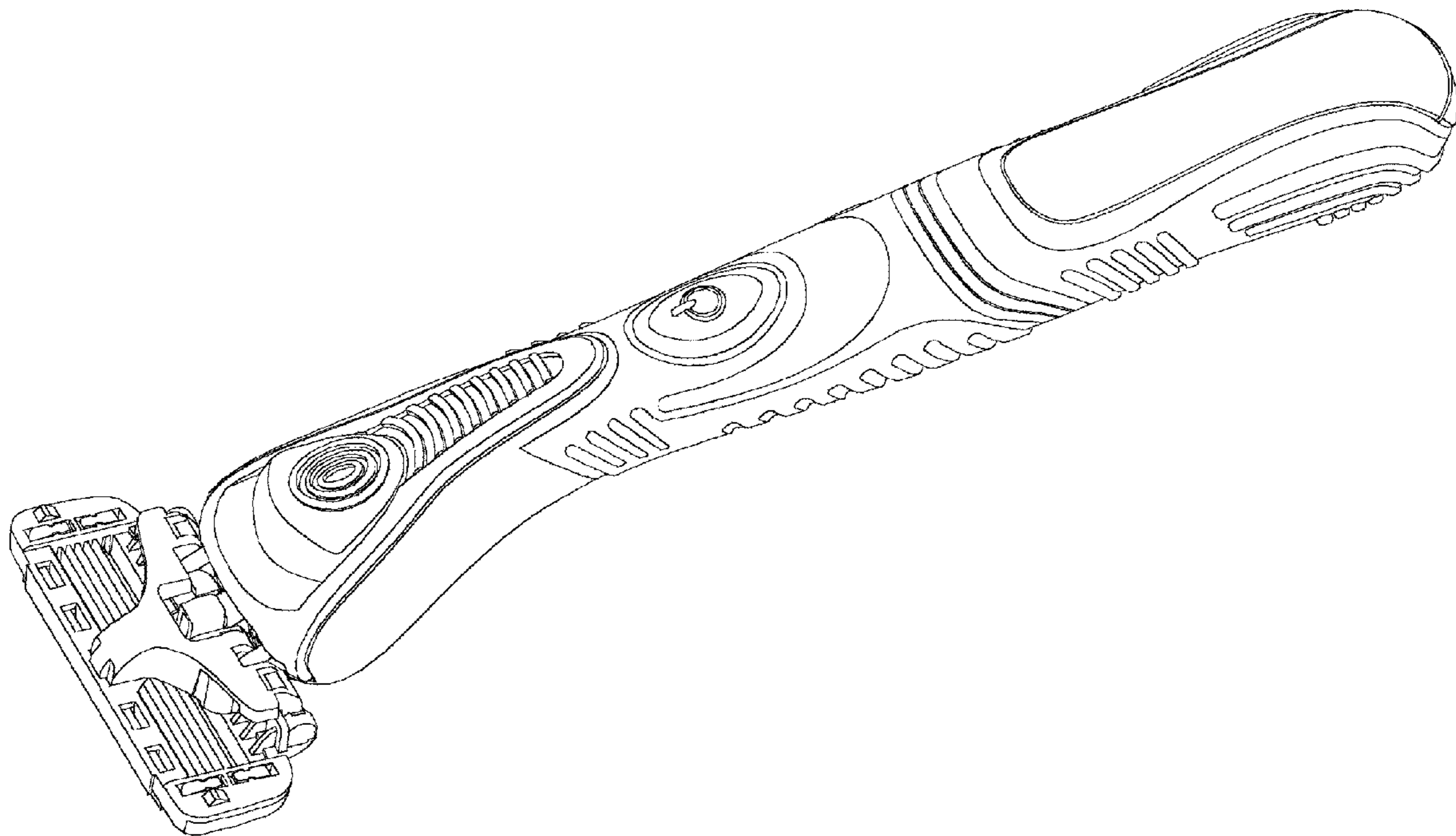
(57) **CLAIM**

The ornamental design for a razor, as shown and described.

DESCRIPTION

FIG. 1 is a perspective view of the razor showing the new design;
FIG. 2 is a front view thereof;
FIG. 3 is a rear view thereof;
FIG. 4 is a left side view thereof;
FIG. 5 is a right side view thereof;
FIG. 6 is a top plan view thereof; and,
FIG. 7 is a bottom plan view thereof.

1 Claim, 6 Drawing Sheets



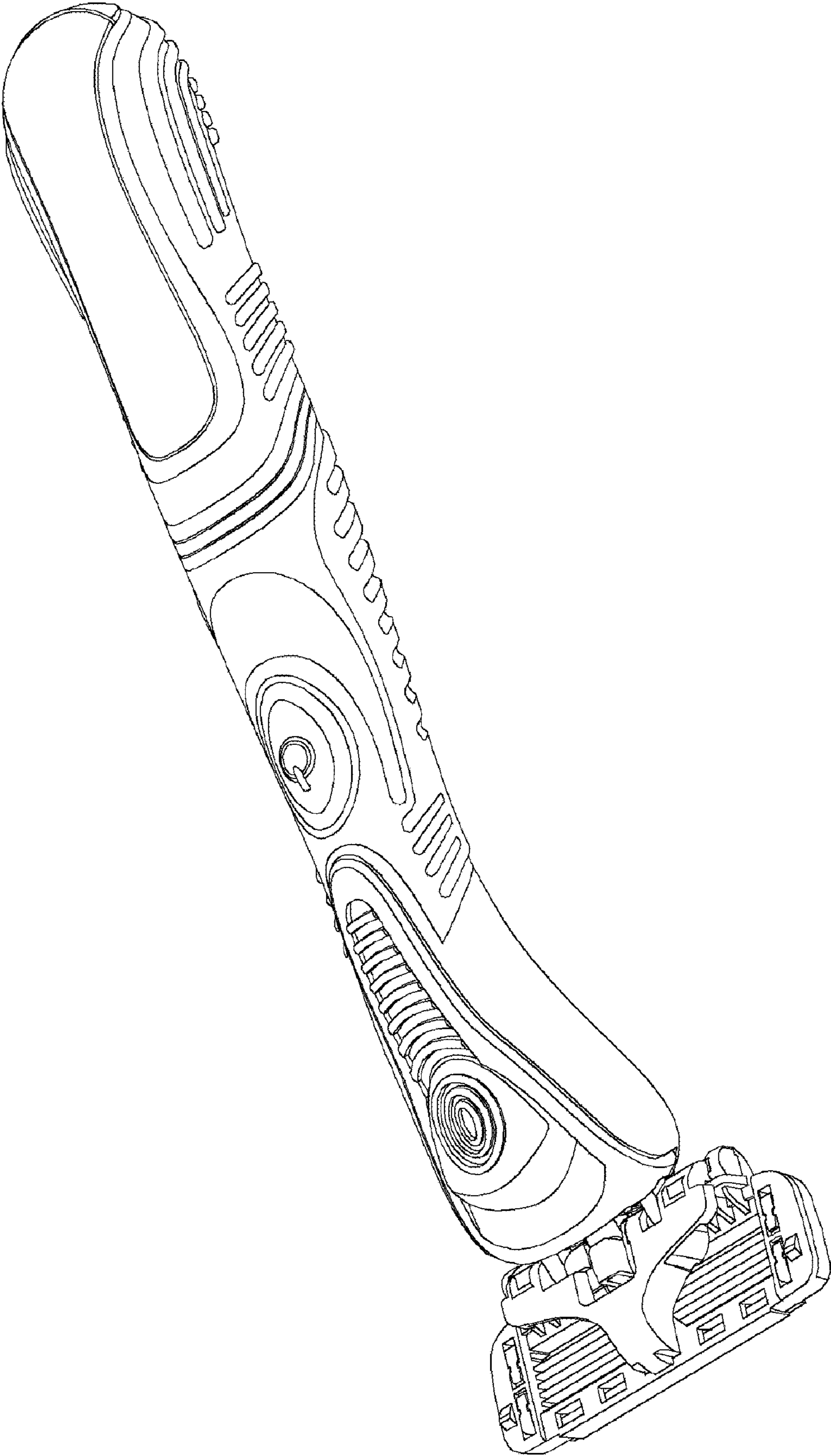


FIG. 1

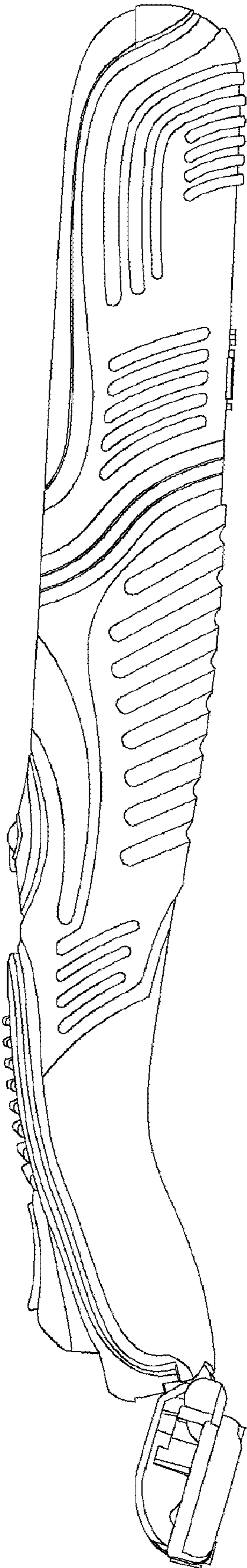


FIG. 2

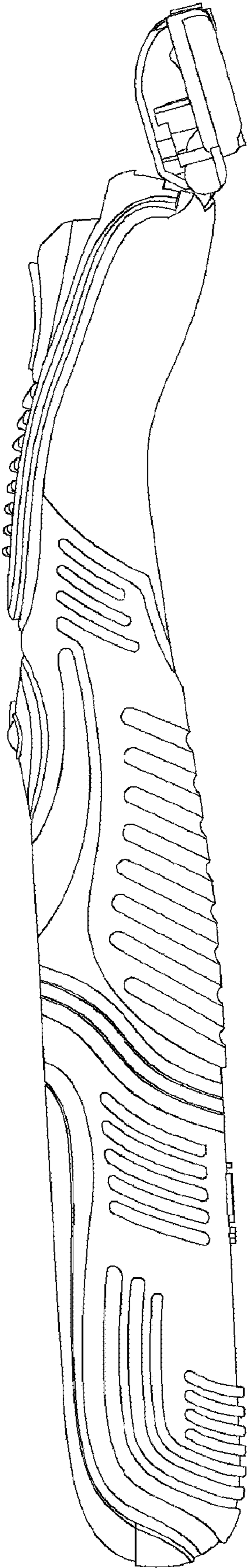


FIG. 3

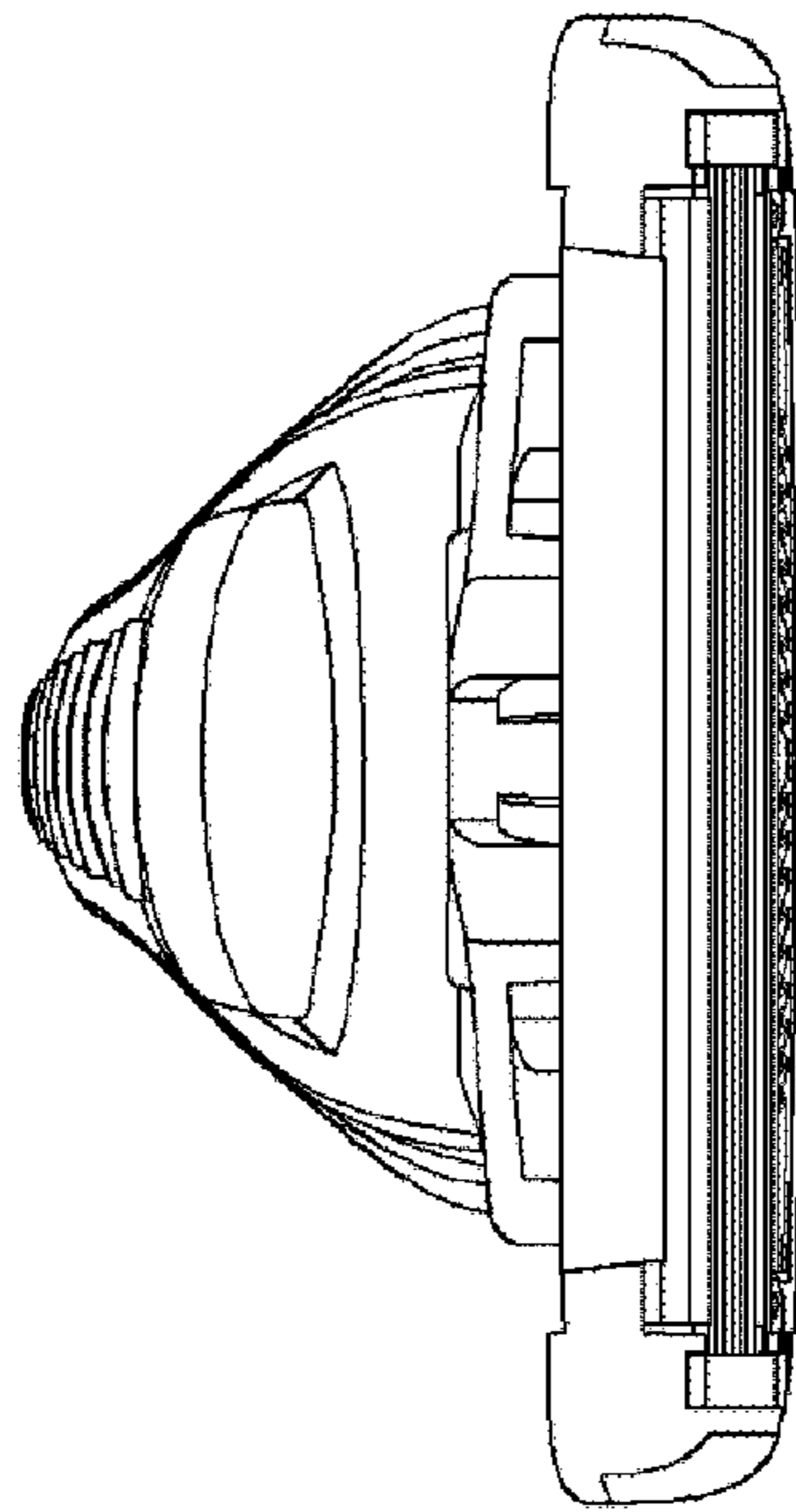


FIG. 4

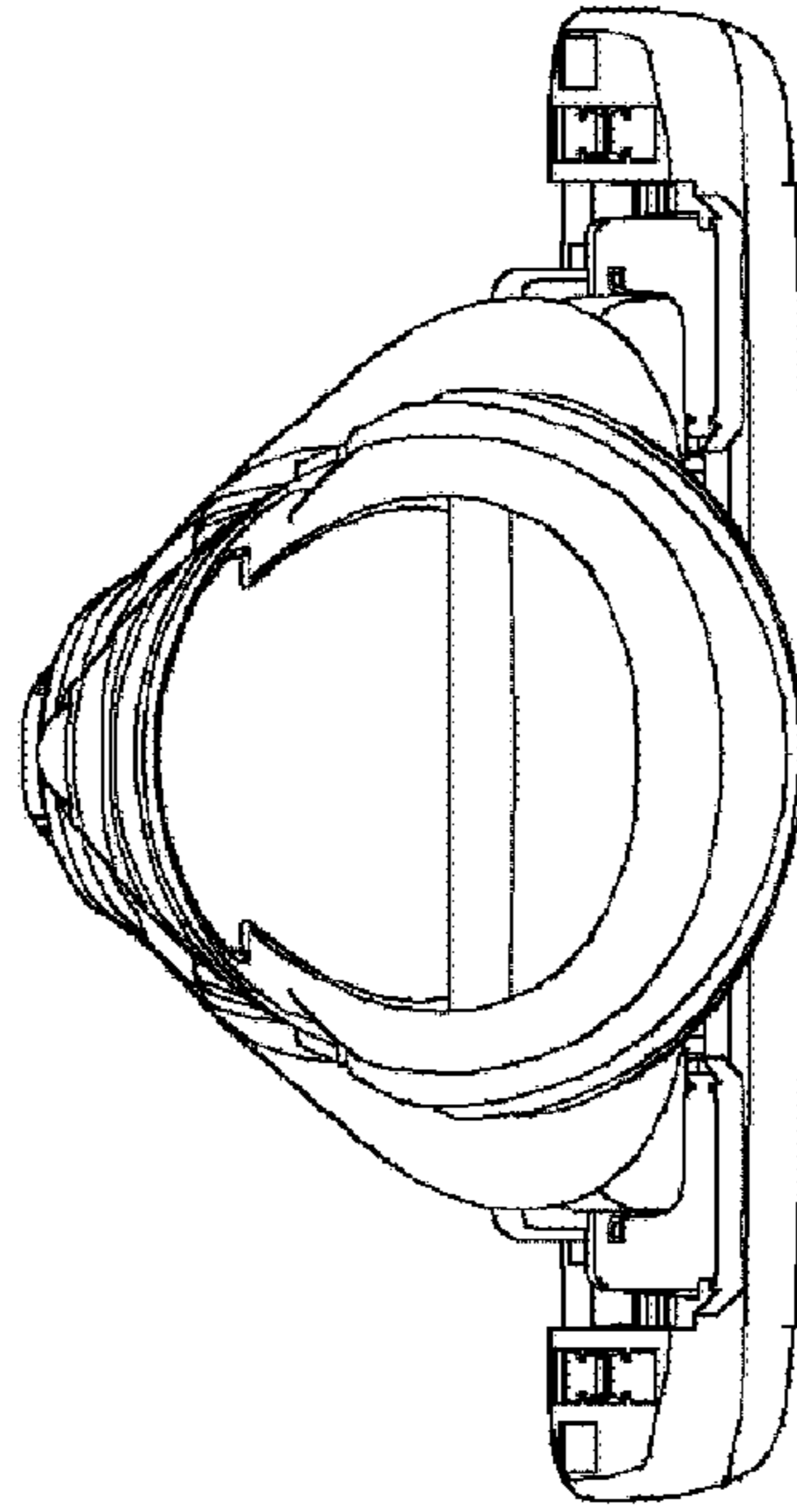


FIG. 5

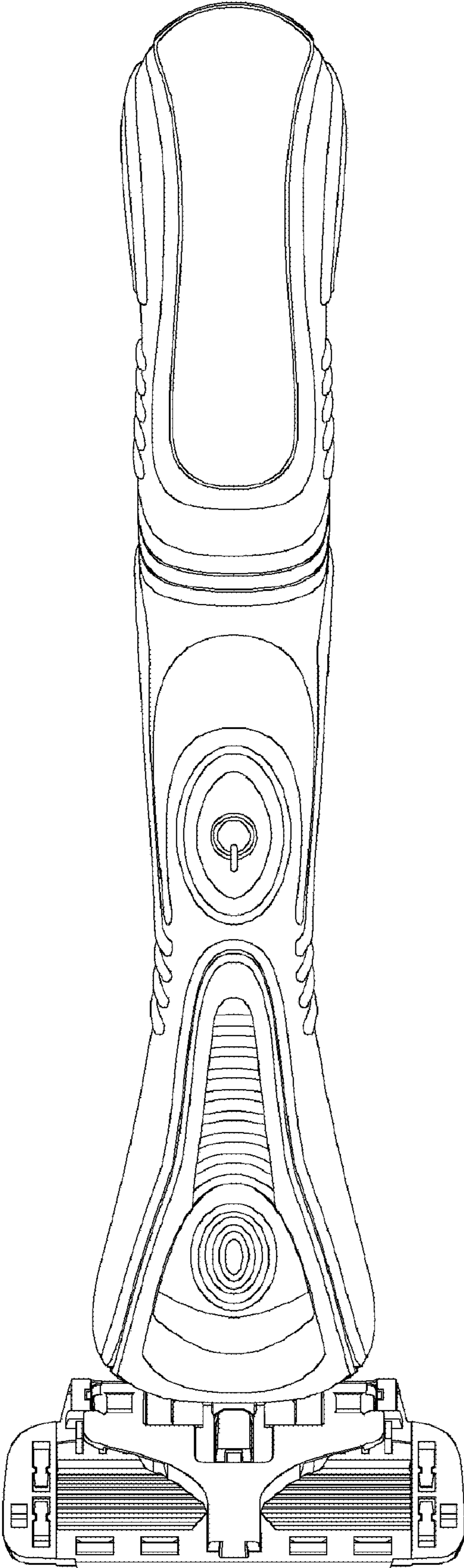


FIG. 6

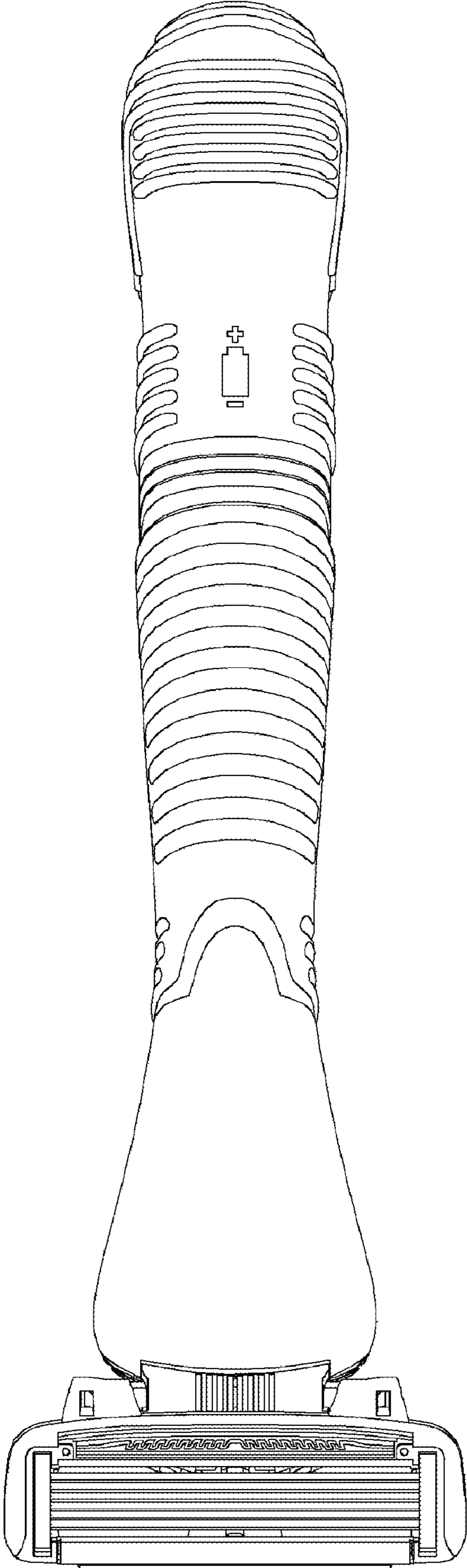


FIG. 7