



US00D614806S

(12) **United States Design Patent**
Arrington

(10) **Patent No.:** **US D614,806 S**

(45) **Date of Patent:** **** Apr. 27, 2010**

(54) **BACK LOTION APPLICATOR**

(76) Inventor: **Brad A. Arrington**, 4506 1/2 W. 16th Pl., Los Angeles, CA (US) 90019

(**) Term: **14 Years**

(21) Appl. No.: **29/340,802**

(22) Filed: **Jul. 26, 2009**

(51) **LOC (9) Cl.** **28-02**

(52) **U.S. Cl.** **D28/7; D28/91.2**

(58) **Field of Classification Search** D28/7,
D28/8, 63, 91.2; D24/119; 15/104.93, 104.94,
15/209.1, 210.1; 401/136, 139, 196, 205;
601/138

See application file for complete search history.

(56) **References Cited**

U.S. PATENT DOCUMENTS

2,922,425	A *	1/1960	Lerner et al.	132/212
3,455,638	A *	7/1969	Braswell	401/23
D271,049	S *	10/1983	Du Cret	D28/7
D342,342	S *	12/1993	Maglione	D28/7
D355,726	S *	2/1995	Delmerico	D28/7
5,846,011	A *	12/1998	Bernstein et al.	401/205
D417,930	S *	12/1999	Hawkes	D28/7
6,126,352	A *	10/2000	Wiley	401/208
6,247,862	B1 *	6/2001	Garza	401/6

D566,330	S *	4/2008	Angeletta	D28/7
2005/0013648	A1 *	1/2005	Moutinho	401/6
2005/0180807	A1 *	8/2005	Walsh, III	401/131

* cited by examiner

Primary Examiner—Janice E Seeger

Assistant Examiner—Zenia I Bennett

(57) **CLAIM**

I claim, the ornamental design for the back lotion applicator, as shown and described.

DESCRIPTION

FIG. 1 is a front elevational view of the back lotion applicator showing my new design;

FIG. 2 is a rear elevational view of the back lotion applicator thereof;

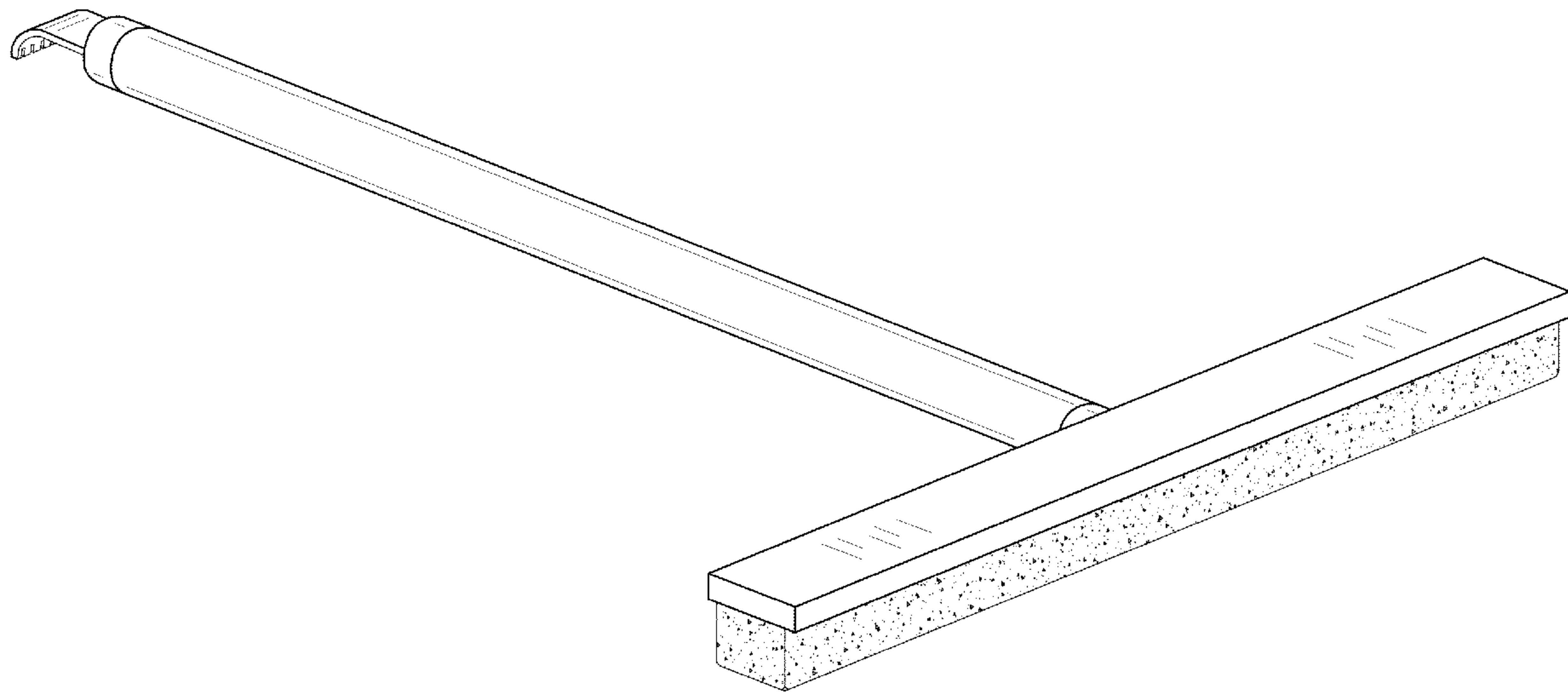
FIG. 3 is a left-side elevational view of the back lotion applicator thereof;

FIG. 4 is a top plan view of the back lotion applicator thereof;

FIG. 5 is a bottom plan view of the back lotion applicator thereof; and,

FIG. 6 is a perspective view of the back lotion applicator thereof.

1 Claim, 5 Drawing Sheets



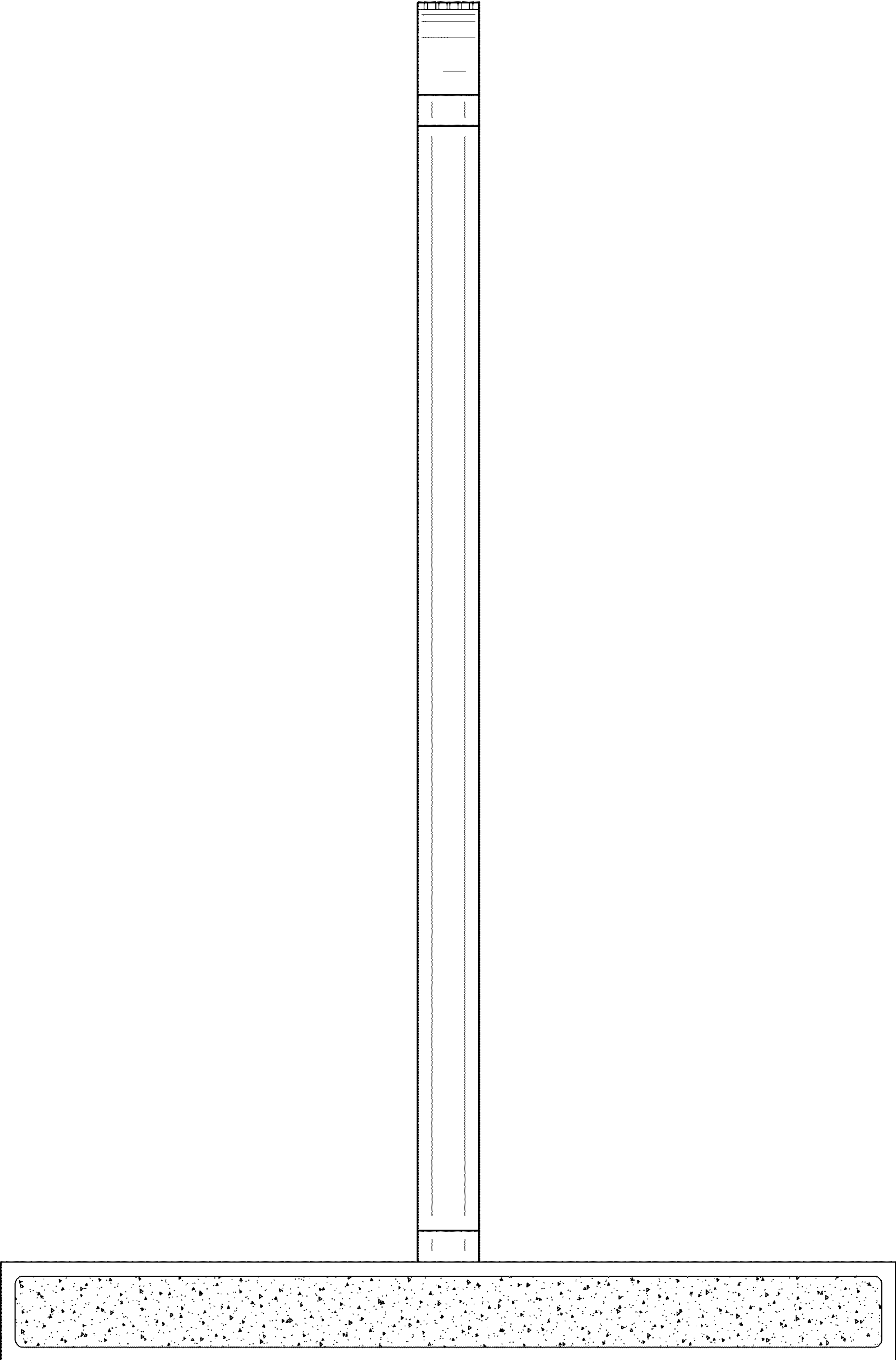


FIG. 1

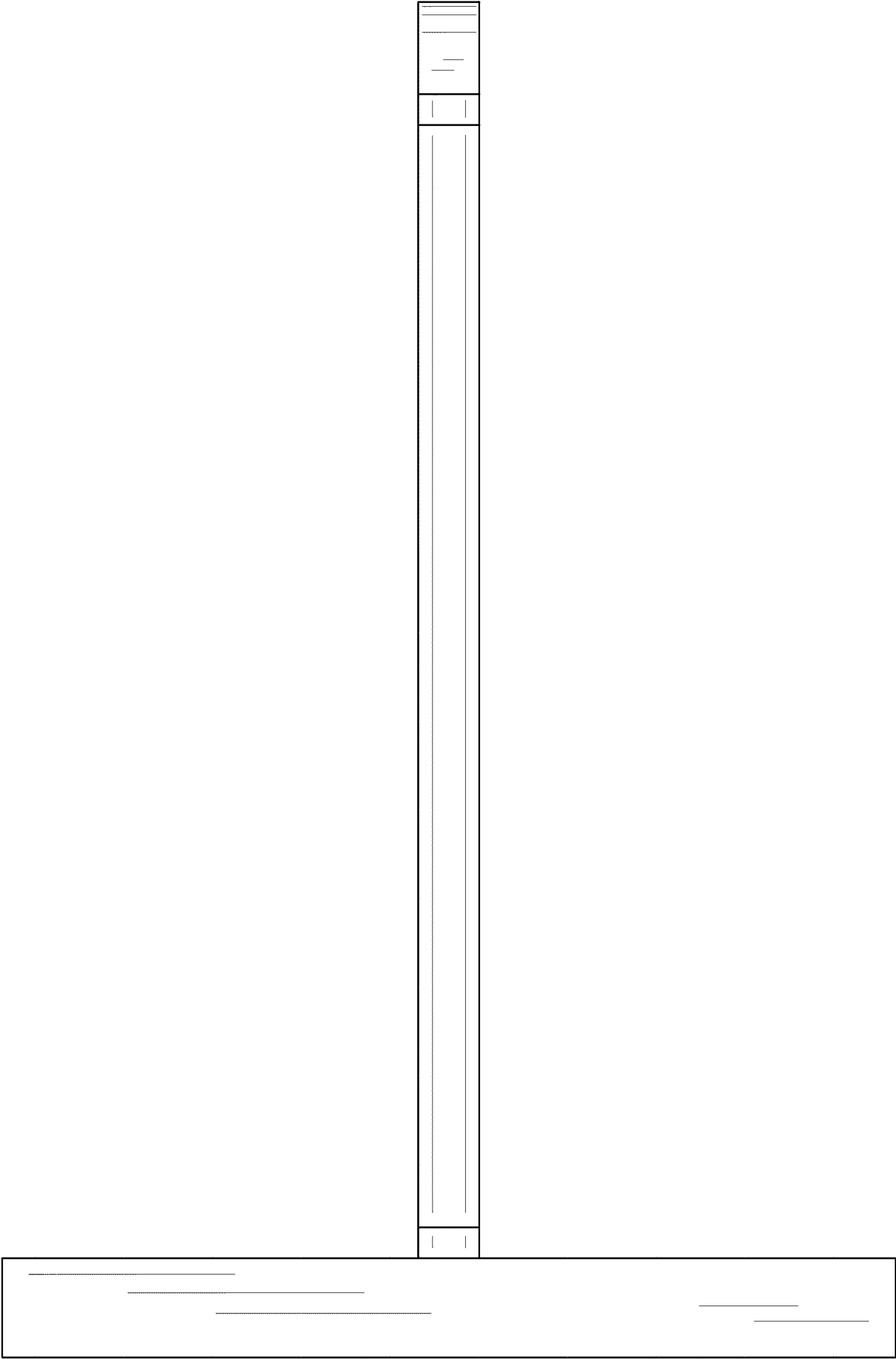


FIG. 2

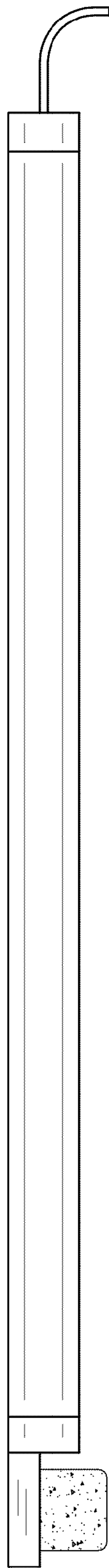


FIG. 3

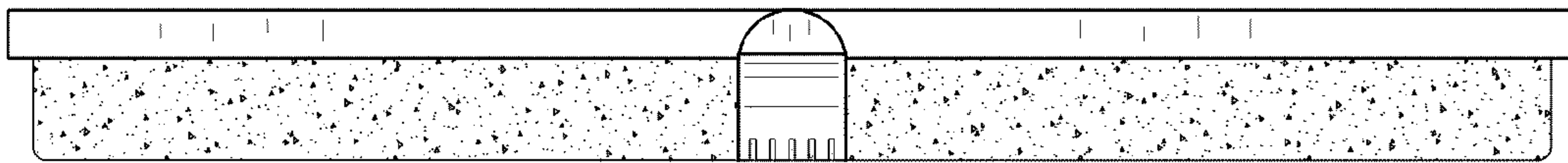


FIG. 4

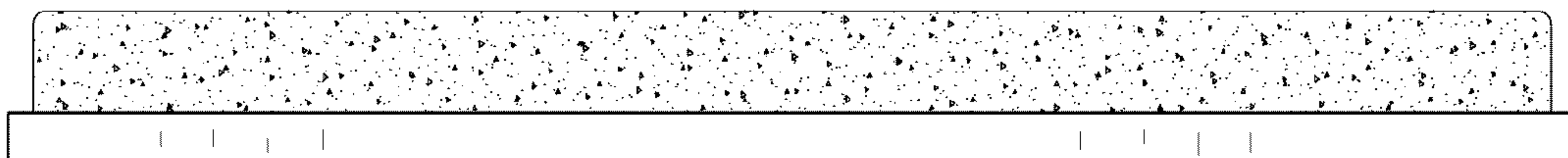


FIG. 5

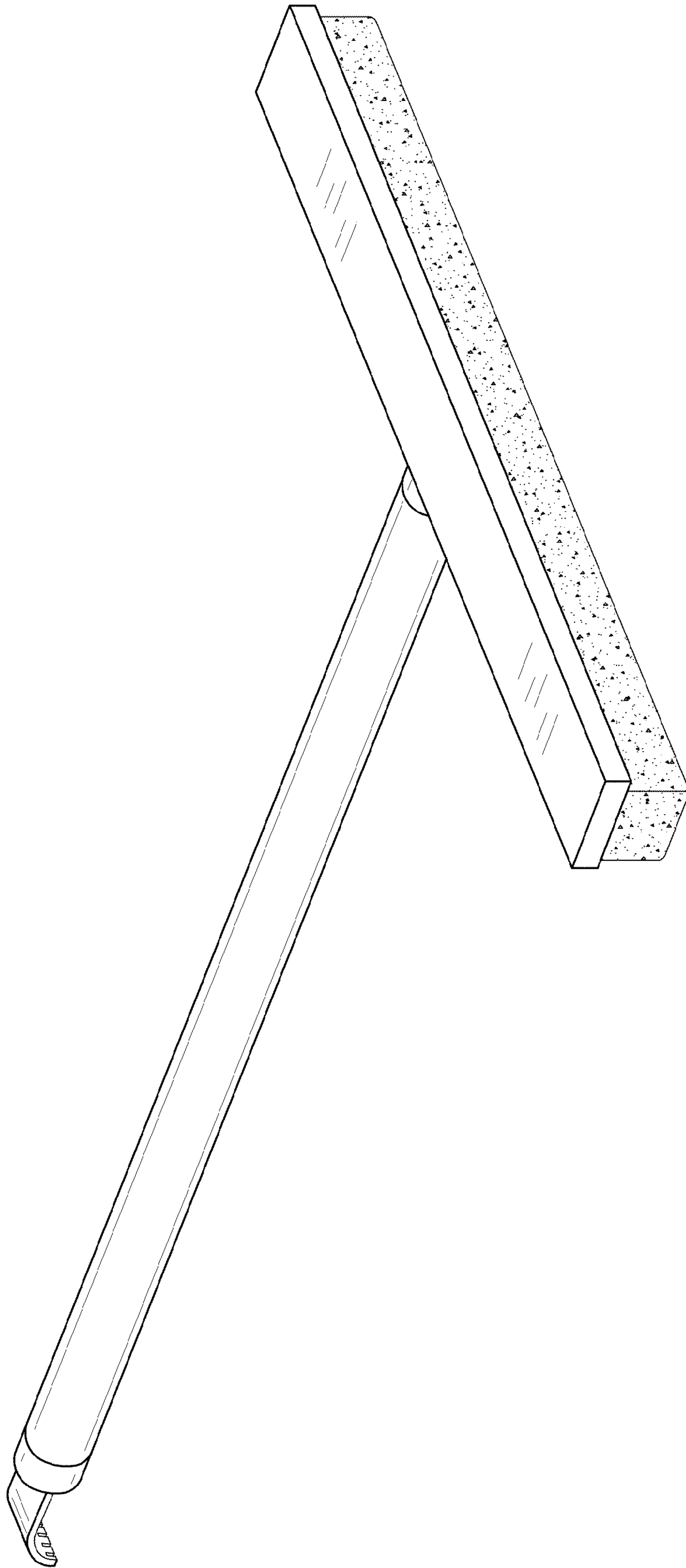


FIG. 6