



US00D614804S

(12) **United States Design Patent**
Davis

(10) **Patent No.:** **US D614,804 S**
(45) **Date of Patent:** **** Apr. 27, 2010**

(54) **BUCKET WITH CIGARETTE BUTT FILTER**

(76) Inventor: **Pamela R. Davis**, 310 Antler La., Myrtle Beach, SC (US) 29579

(**) Term: **14 Years**

(21) Appl. No.: **29/308,202**

(22) Filed: **Jun. 3, 2008**

(51) **LOC (9) Cl.** **27-02**

(52) **U.S. Cl.** **D27/102**

(58) **Field of Classification Search** D27/102,
D27/104-107, 110-112, 122, 123, 131, 134,
D27/135; D21/472; D32/53; D34/2; 131/233,
131/242; 220/576, 475, 480
See application file for complete search history.

(56) **References Cited**

U.S. PATENT DOCUMENTS

D17,296	S	*	5/1887	Putman et al.	D27/102
1,800,665	A	*	4/1931	Schultz	220/576
1,807,589	A	*	6/1931	Edmonds	220/475
2,470,463	A	*	5/1949	Botten	220/480
2,600,826	A		6/1952	Allen		
D175,023	S	*	6/1955	Koch	D27/106
2,842,280	A	*	7/1958	Nelson	220/576
3,380,186	A		4/1968	Donner		
4,864,769	A		9/1989	Sandahl		
5,109,625	A		5/1992	Skrede		
5,159,941	A		11/1992	Tornatore		

5,743,030	A		4/1998	Sirr		
D398,663	S	*	9/1998	Frelander	D21/532
D417,326	S	*	11/1999	Greene	D32/53
5,988,190	A		11/1999	Borges		
D449,705	S		10/2001	Lubisch		
D496,753	S	*	9/2004	Thornell et al.	D27/105
7,219,465	B2		5/2007	Beech		
D548,393	S	*	8/2007	Smith	D27/105

* cited by examiner

Primary Examiner—Dominic Simone

(74) *Attorney, Agent, or Firm*—P. Jeff Martin; The McGougan Law Firm, LLC

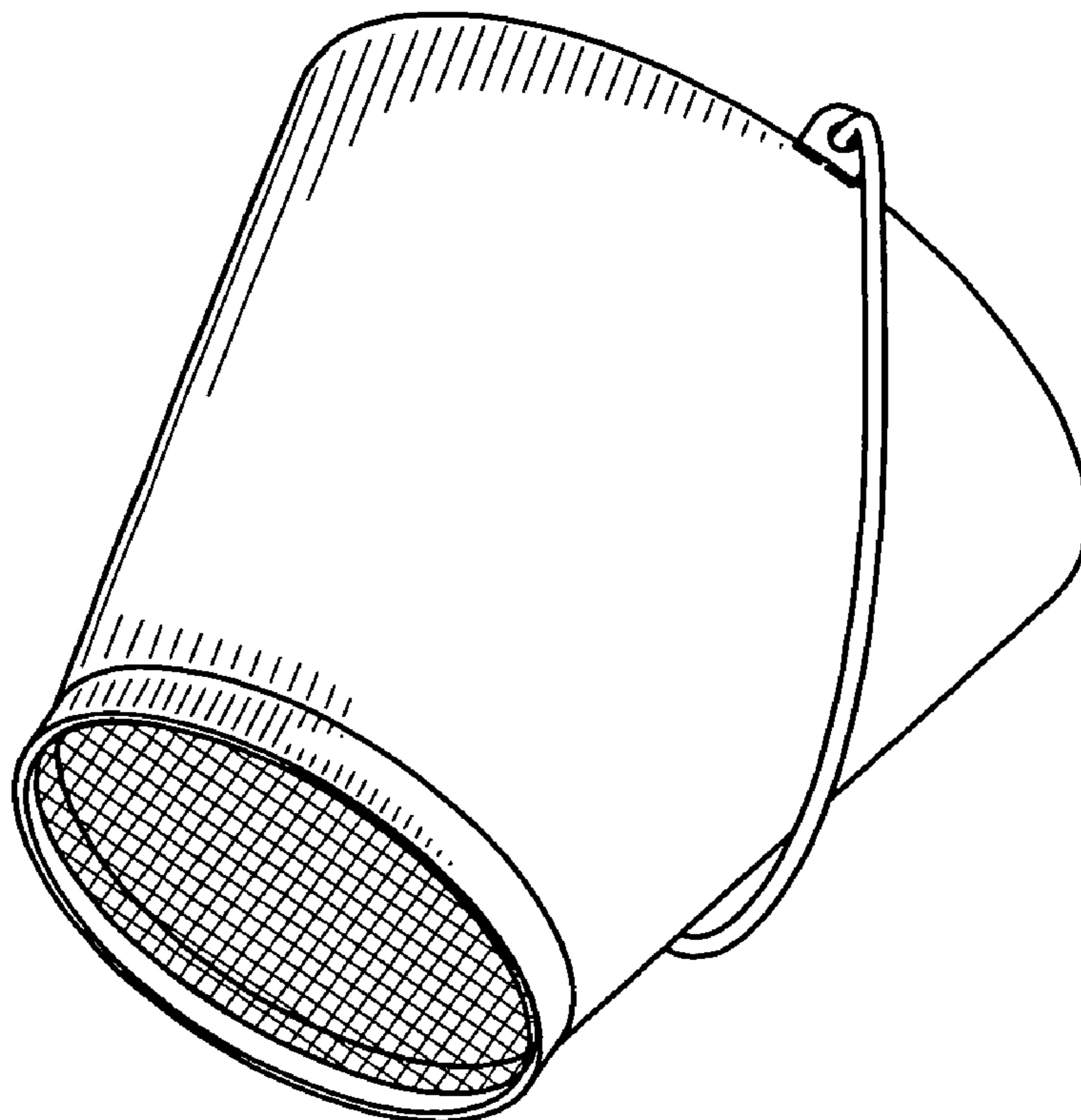
(57) **CLAIM**

The ornamental design for a bucket with cigarette butt filter, as shown and described.

DESCRIPTION

FIG. 1 is a perspective view of a bucket with cigarette butt filter showing my new design;
FIG. 2 is a right side view thereof;
FIG. 3 is a left side view thereof;
FIG. 4 is a front view thereof;
FIG. 5 is a rear view thereof;
FIG. 6 is a top plan view thereof; and,
FIG. 7 is a bottom plan view thereof.

1 Claim, 2 Drawing Sheets



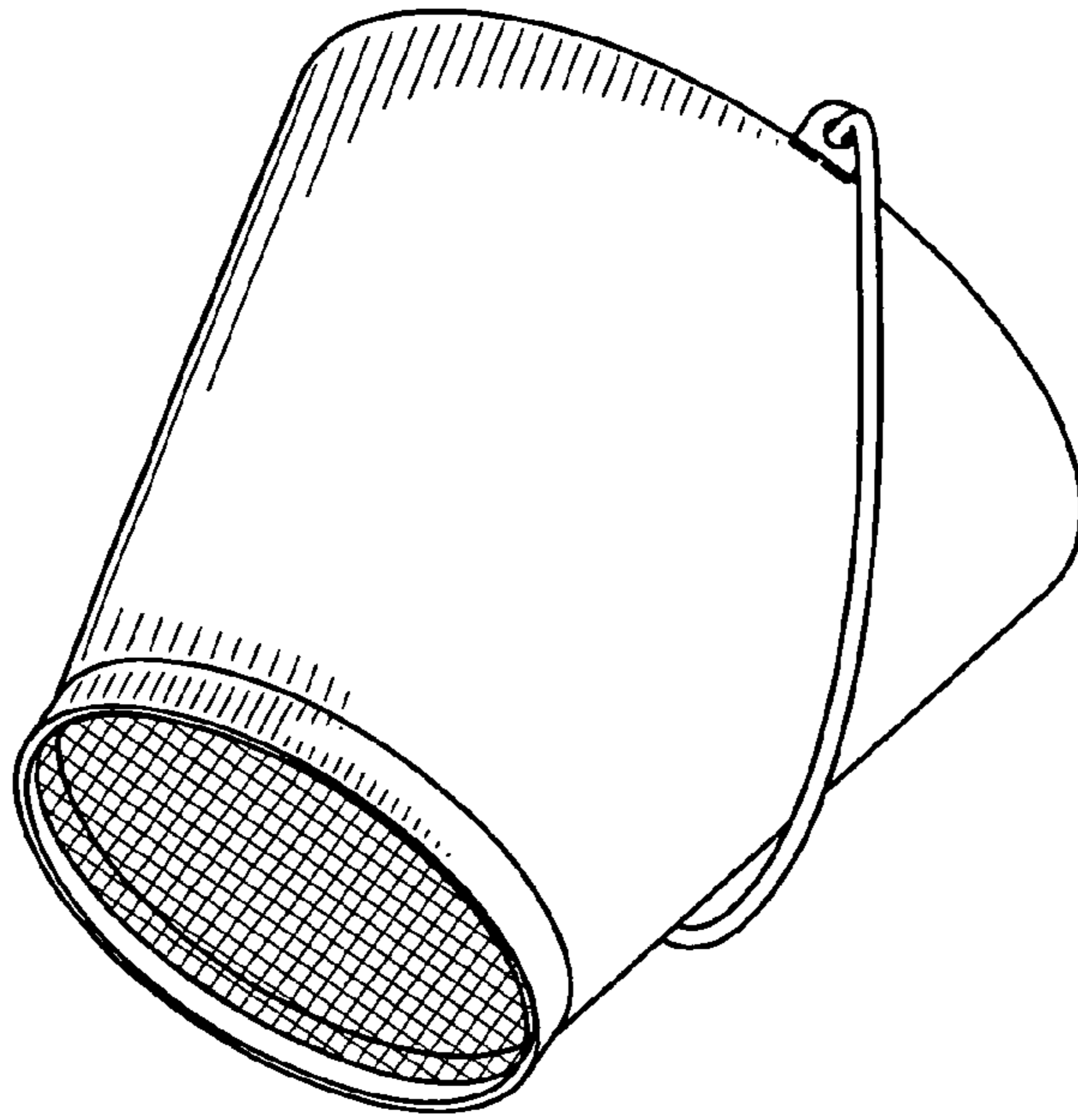


Fig. 1

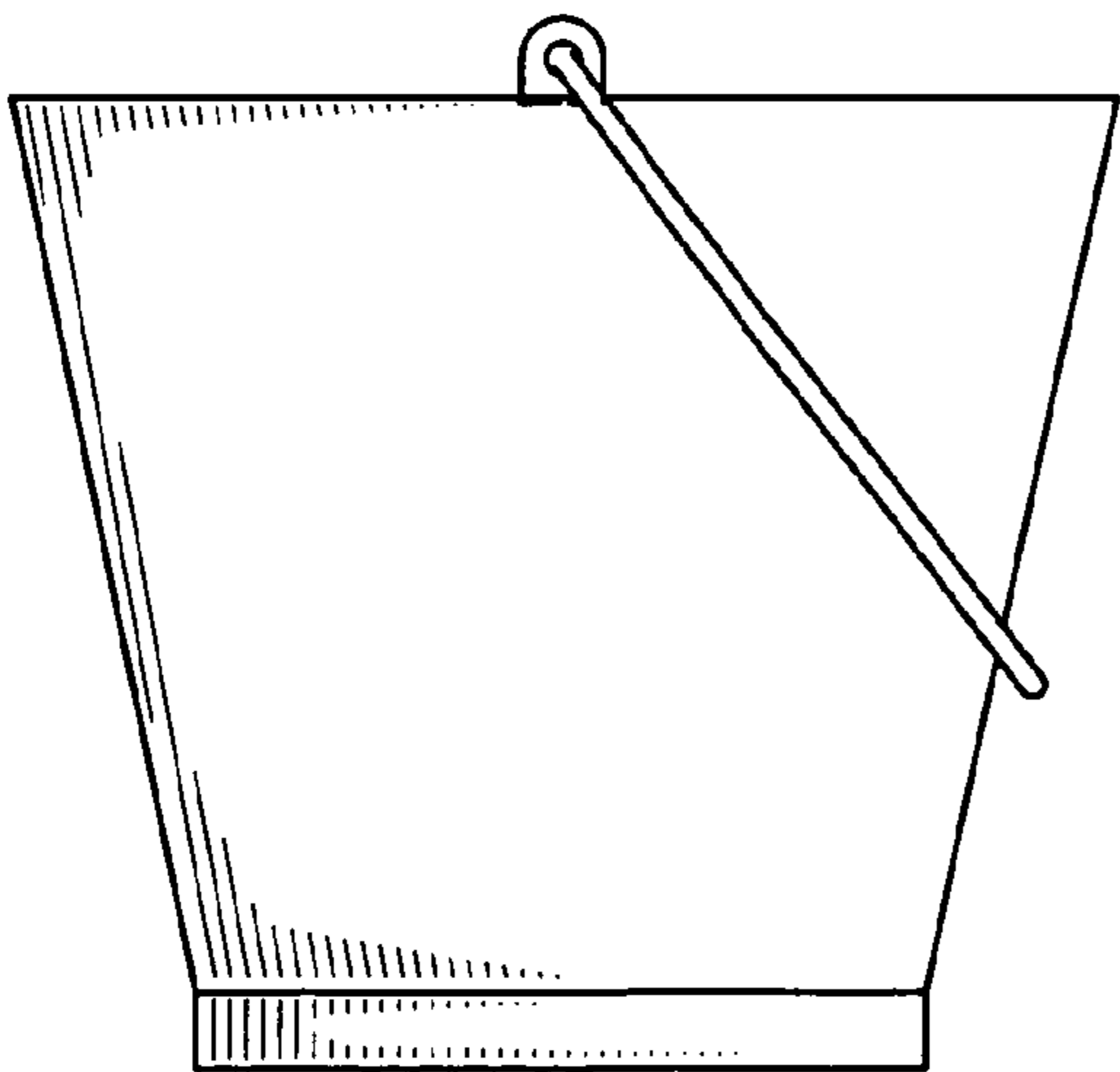


Fig. 2

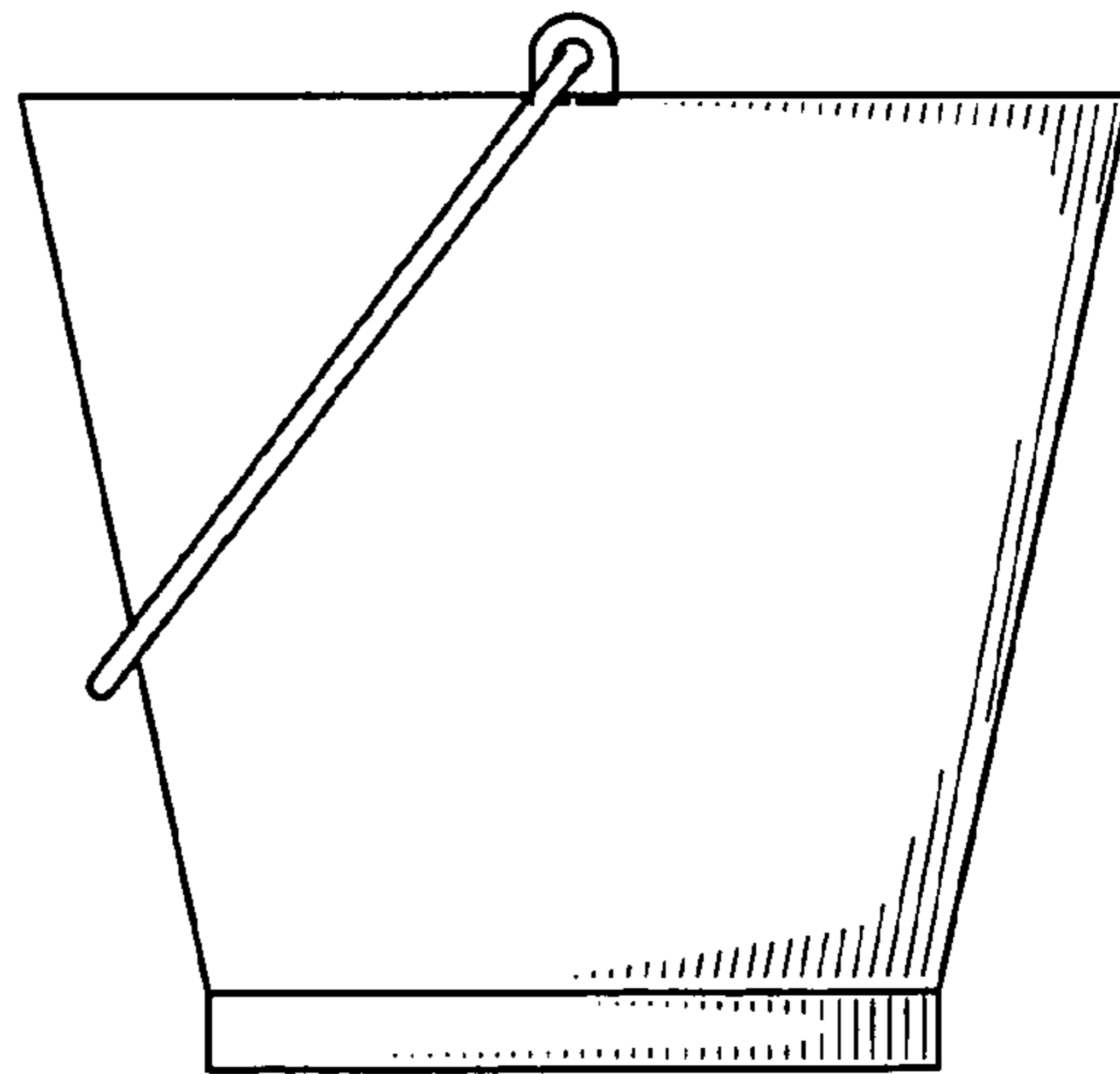


Fig. 3

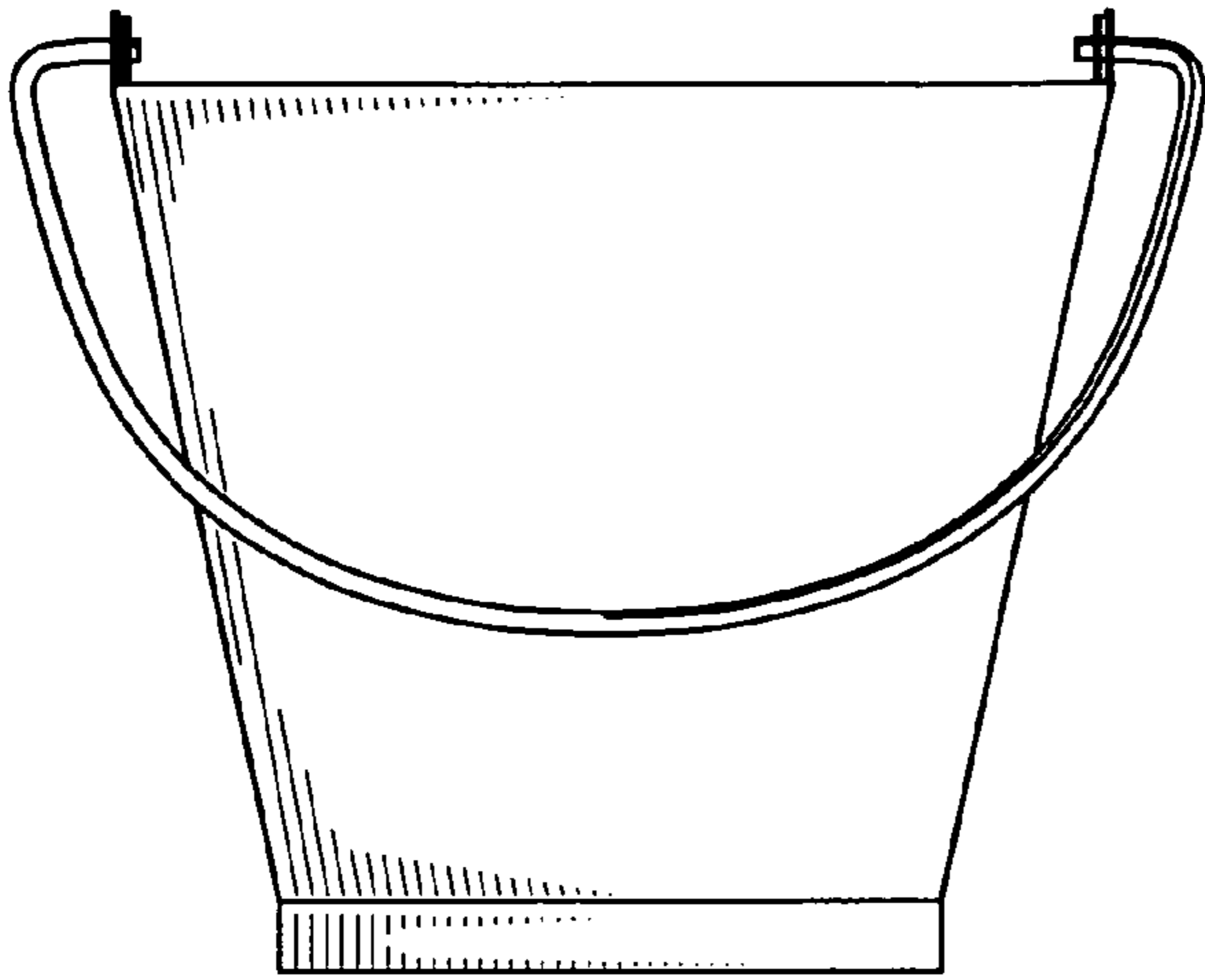


Fig. 4

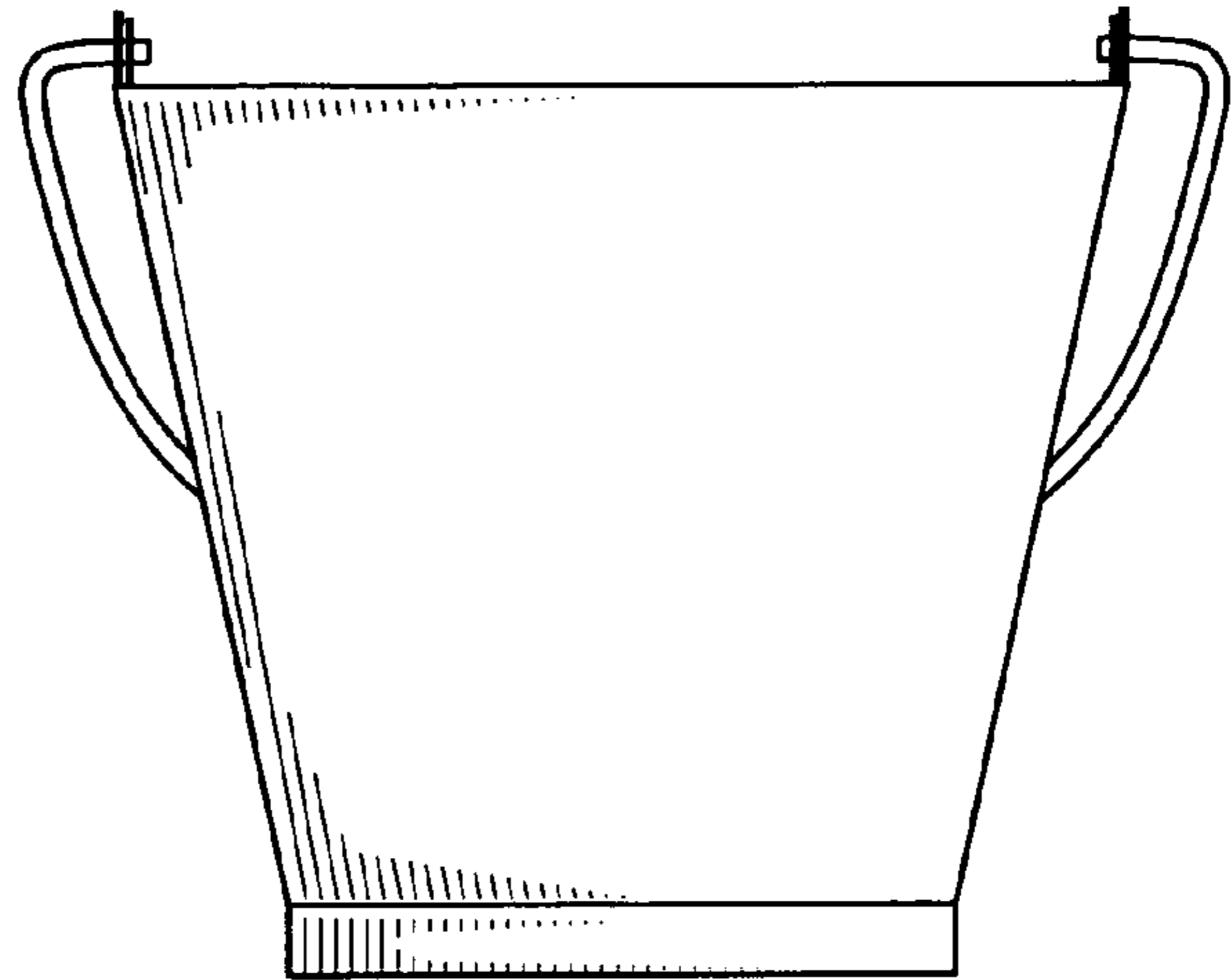


Fig. 5

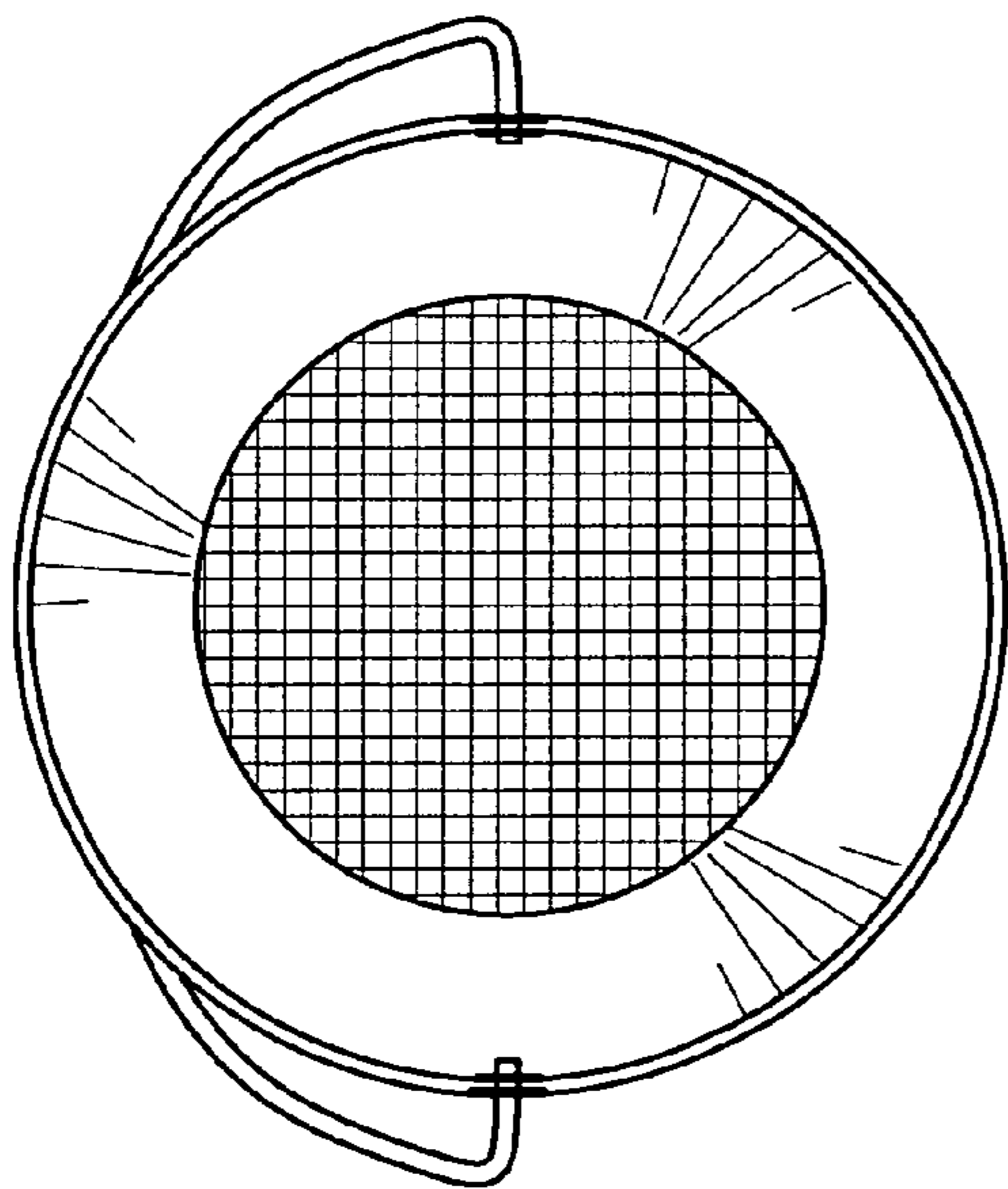


Fig. 6

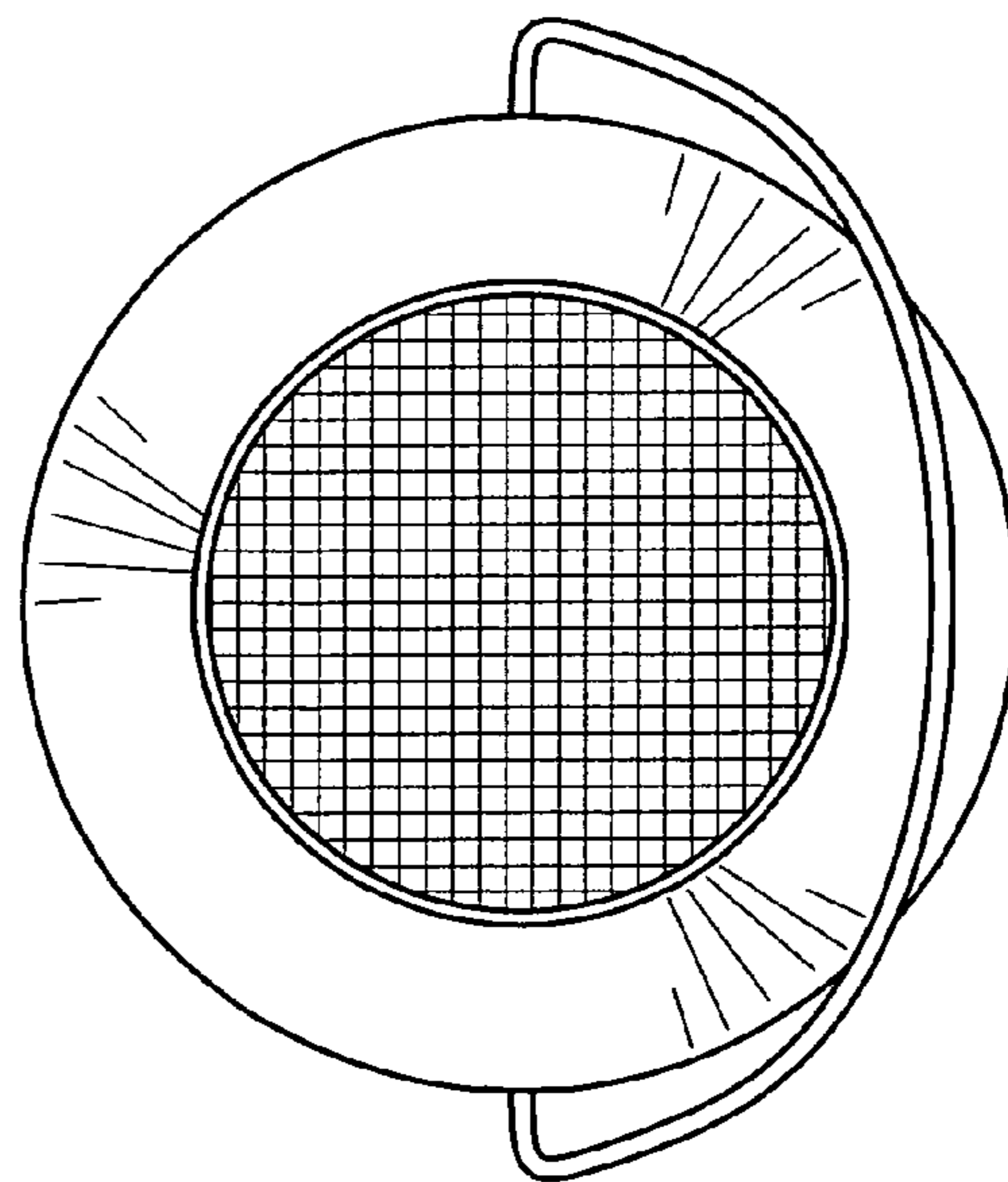


Fig. 7