



US00D614801S

(12) **United States Design Patent**
Collins et al.

(10) **Patent No.:** **US D614,801 S**
(45) **Date of Patent:** **** Apr. 27, 2010**

(54) **REFLECTOR FOR A RECESSED LUMINAIRE**

(75) Inventors: **Scotty Collins**, Tupelo, MS (US);
Phillip Scott Livingston, Louisville, MS (US)

(73) Assignee: **Koninklijke Philips Electronics N.V.**,
Eindhoven (NL)

(**) Term: **14 Years**

(21) Appl. No.: **29/337,672**

(22) Filed: **May 27, 2009**

(51) **LOC (9) Cl.** **26-99**

(52) **U.S. Cl.** **D26/118**

(58) **Field of Classification Search** D26/113,
D26/63, 118, 93, 110, 138, 61, 24, 120, 40,
D26/73, 2, 25, 37, 60, 81, 119, 122, 123,
D26/128, 140, 141, 142; 362/33, 249.09,
362/648, 101; D13/110, 134, 180; 439/121,
439/239, 241

See application file for complete search history.

(56) **References Cited**

U.S. PATENT DOCUMENTS

2,842,281	A *	7/1958	Chisholm	220/3.6
3,420,995	A *	1/1969	Dunckel	362/366
3,675,008	A *	7/1972	Hill	362/355
3,902,059	A *	8/1975	McNamara, Jr.	362/349
5,061,055	A *	10/1991	Dube	359/862
D323,037	S *	1/1992	Edwards	D26/118
D426,010	S *	5/2000	Compton	D26/67
D428,516	S *	7/2000	Reo et al.	D26/118
6,152,579	A *	11/2000	Reed et al.	362/320
D439,008	S *	3/2001	Kim, II	D26/118
D442,733	S *	5/2001	Minissi et al.	D26/118
6,527,422	B1 *	3/2003	Hutchison	362/373
6,595,662	B2 *	7/2003	Wardenburg	362/362
D543,652	S *	5/2007	Hargreaves	D26/76
D544,987	S *	6/2007	Hargreaves	D26/88

D569,024 S * 5/2008 Redfern D26/74
7,445,363 B2 * 11/2008 Vanden Eynden 362/346
2008/0205030 A1 * 8/2008 Hargreaves 362/1

* cited by examiner

Primary Examiner—Cathron C Brooks

Assistant Examiner—Kevin K Rudzinski

(74) *Attorney, Agent, or Firm*—John F. Salazar; Middleton Reutlinger

(57) **CLAIM**

The ornamental design for a reflector for a recessed luminaire, as shown and described.

DESCRIPTION

FIG. 1 is a left front top perspective view of the reflector for a recessed luminaire of the present invention;

FIG. 2 is a left front bottom perspective view of the reflector for a recessed luminaire of the present invention;

FIG. 3 is a right rear bottom perspective view of the reflector for a recessed luminaire of FIG. 1;

FIG. 4 is a front view of the reflector for a recessed luminaire of FIG. 1, the rear view being a mirror image thereof;

FIG. 5 is a left side view of the reflector for a recessed luminaire of FIG. 1, the right side view being a mirror image thereof;

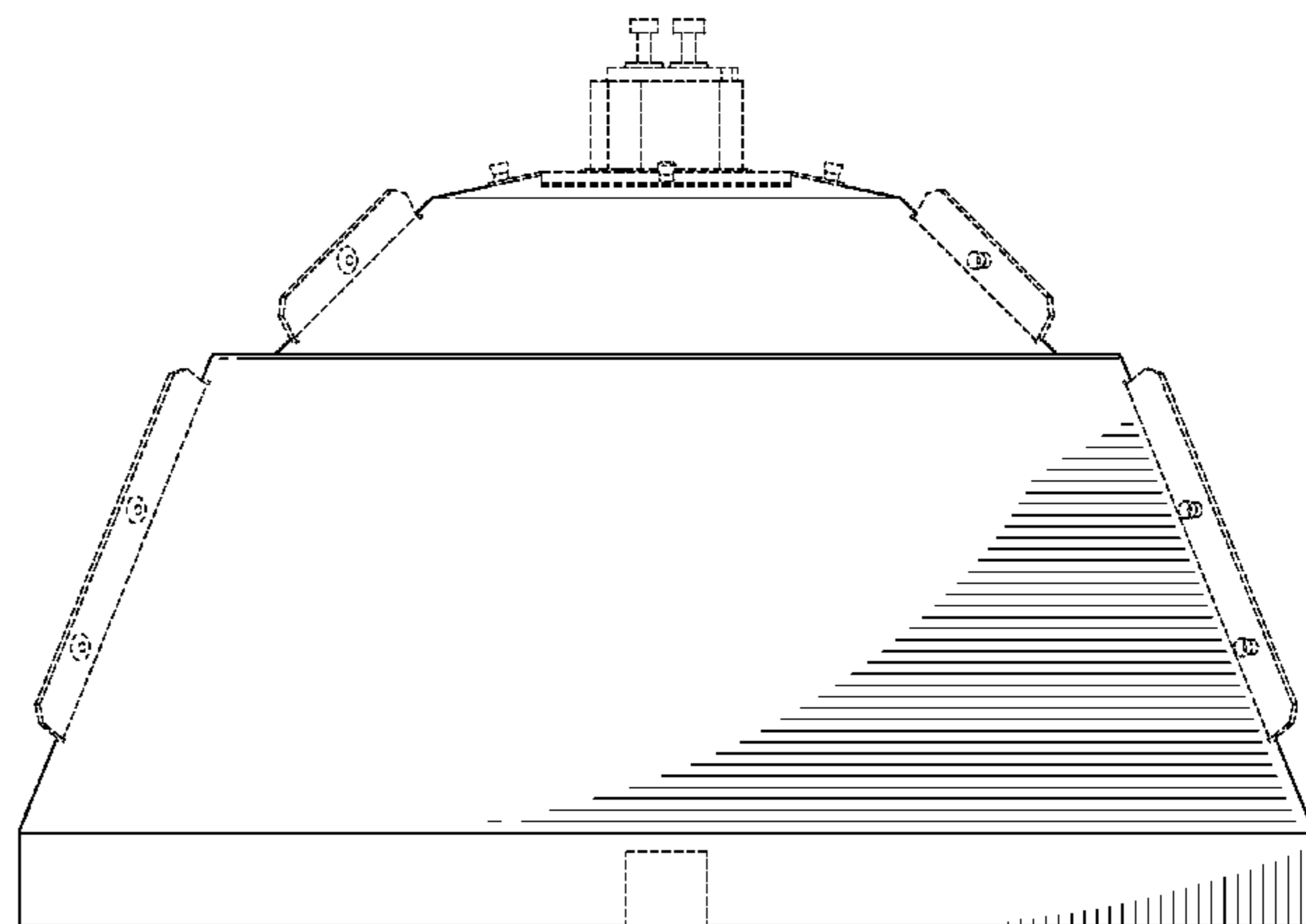
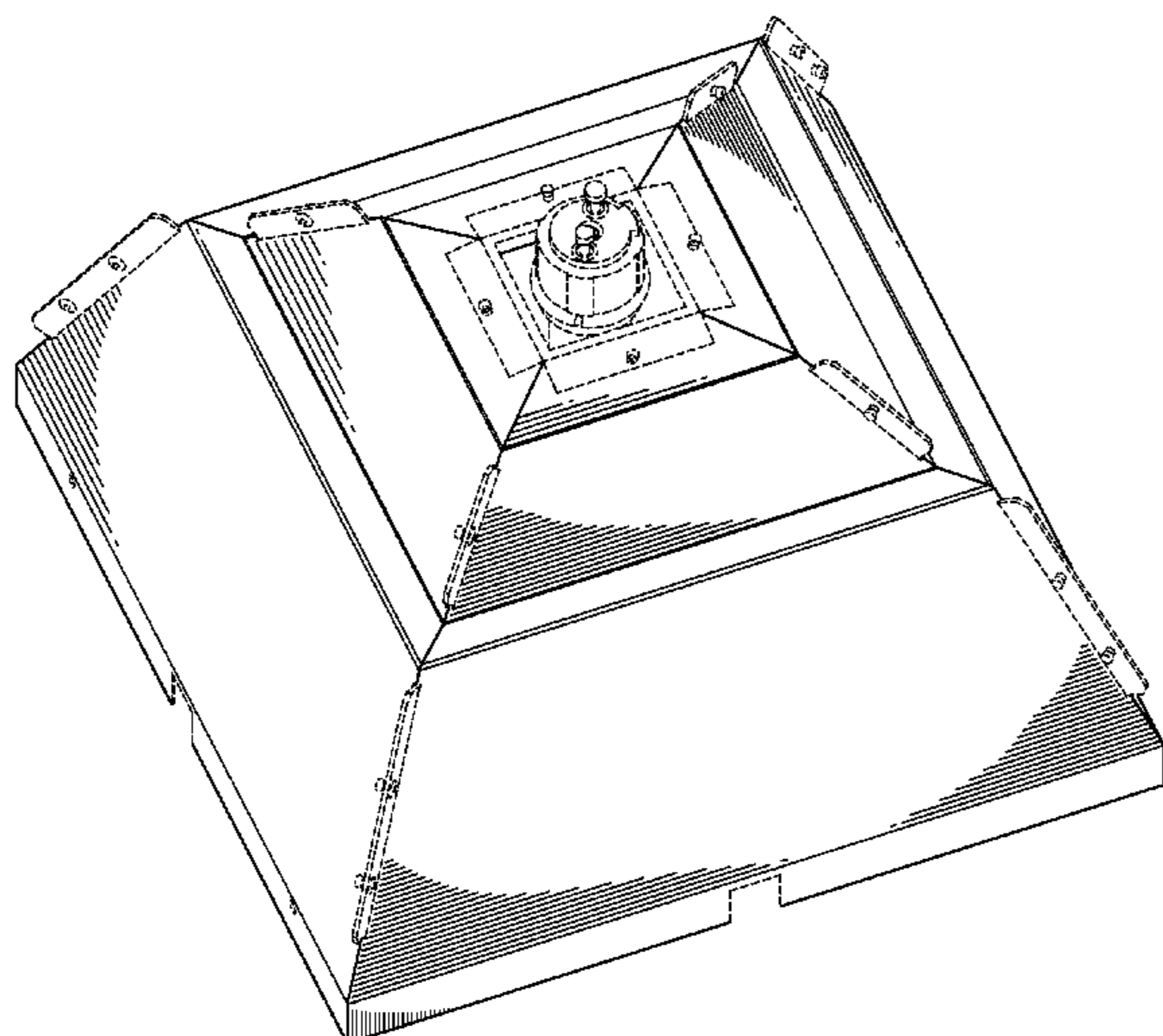
FIG. 6 is a top view of the reflector for a recessed luminaire of FIG. 1;

FIG. 7 is a bottom view of the reflector for a recessed luminaire of FIG. 1; and,

FIG. 8 is a sectional view of the reflector for a recessed luminaire of FIG. 1, taken along the section line 8—8 of FIG. 6.

The broken lines showing environmental structure are for illustrative purposes only and form no part of the claimed design.

1 Claim, 8 Drawing Sheets



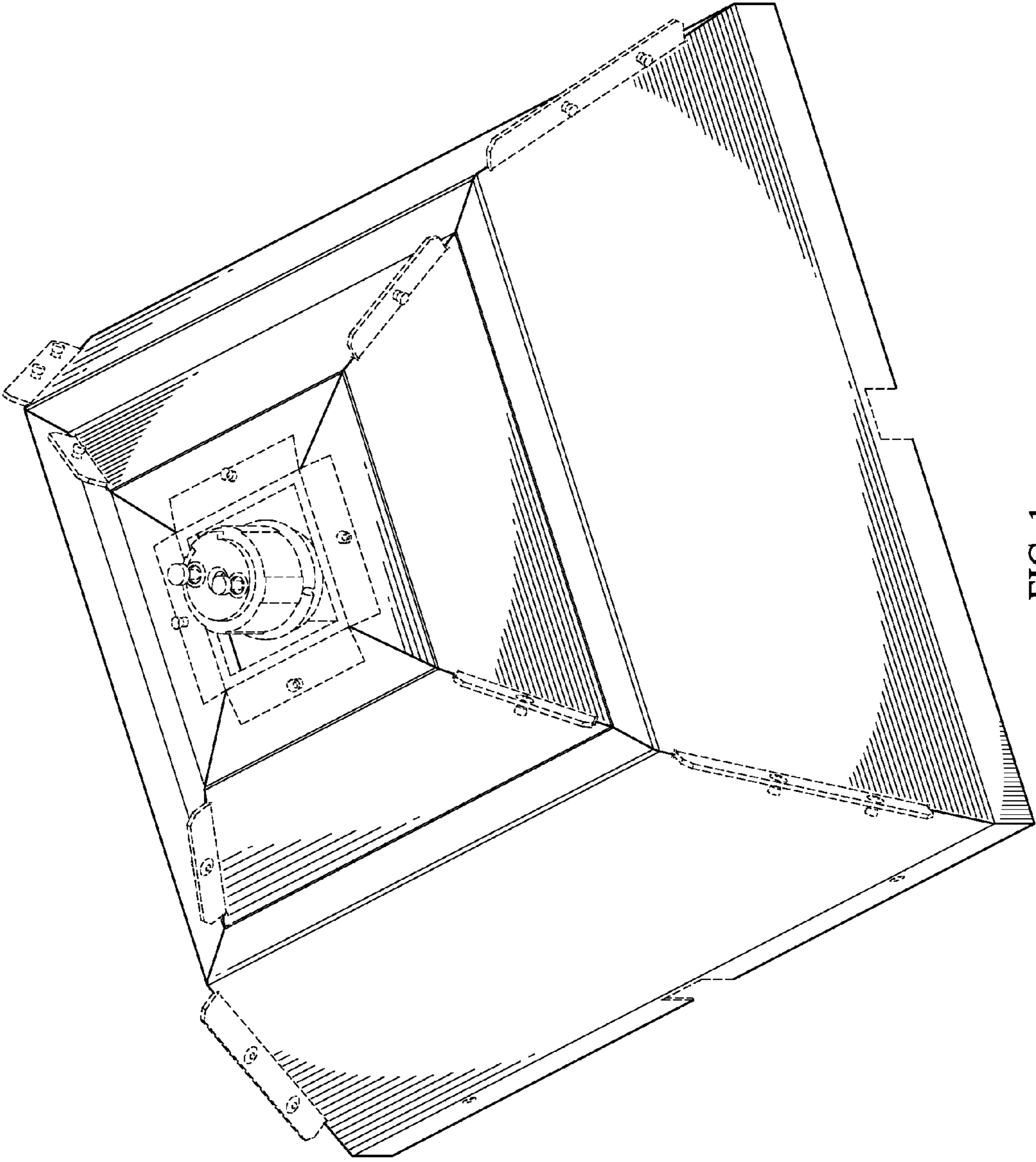


FIG. 1

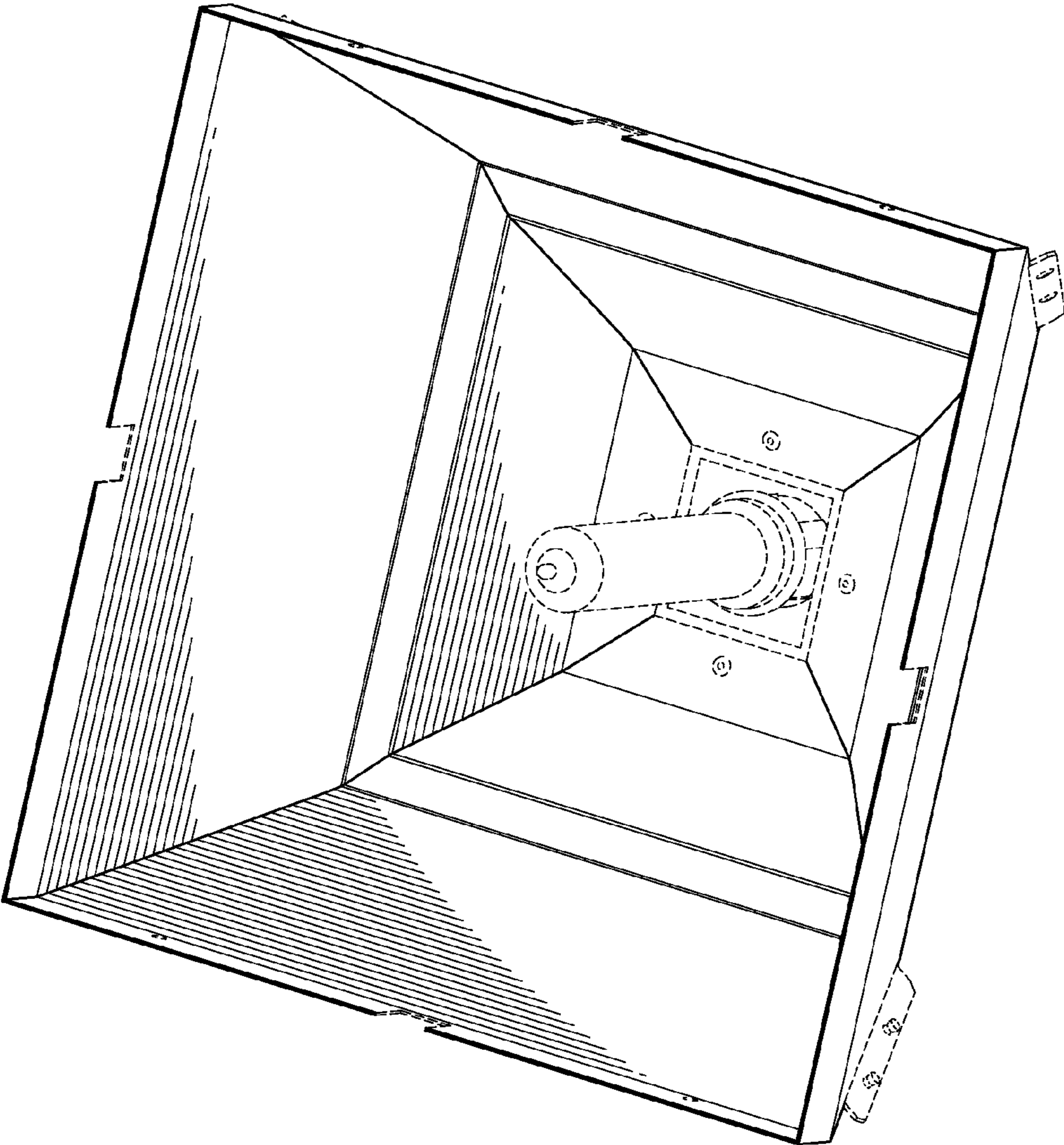


FIG. 3

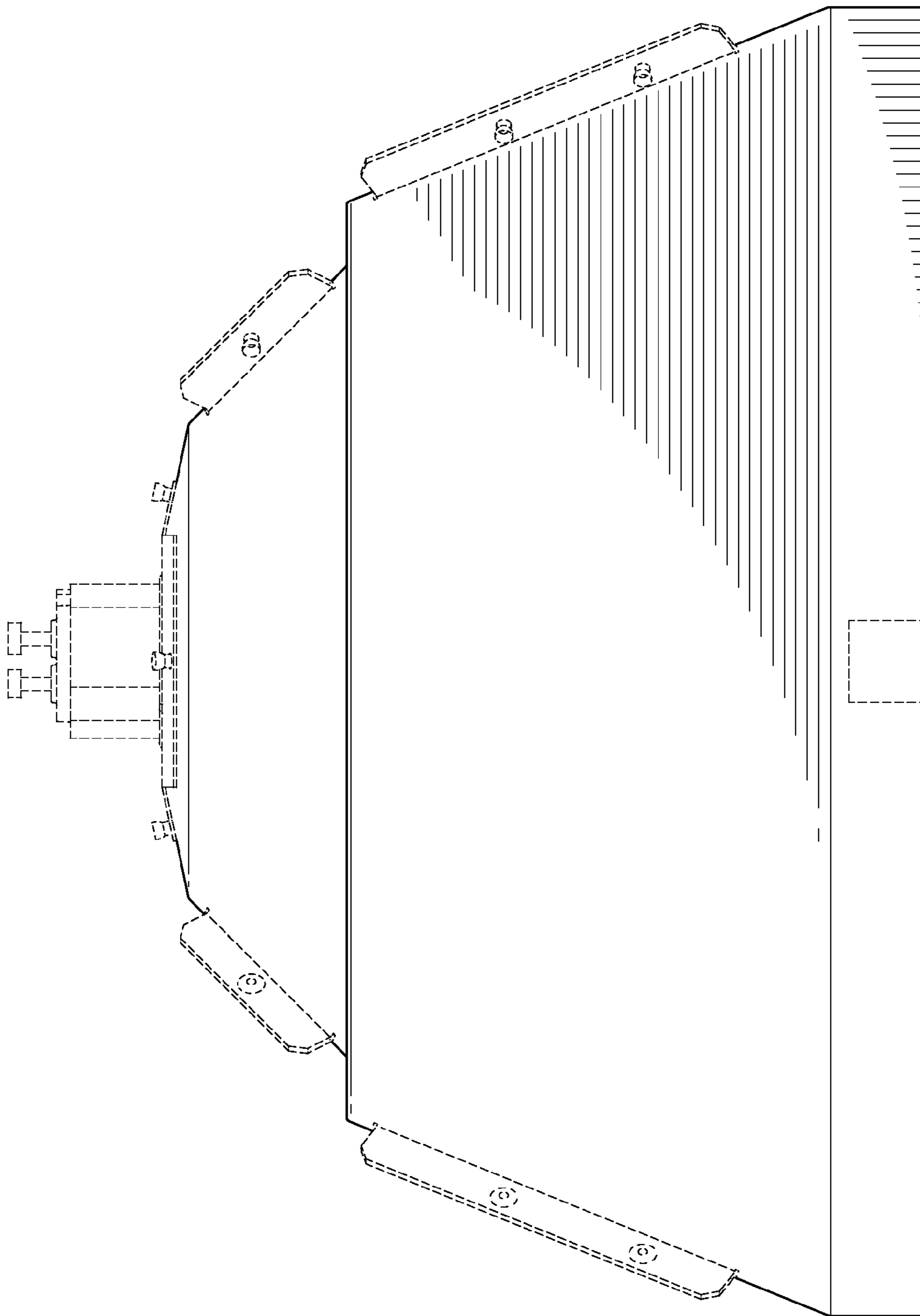


FIG. 4

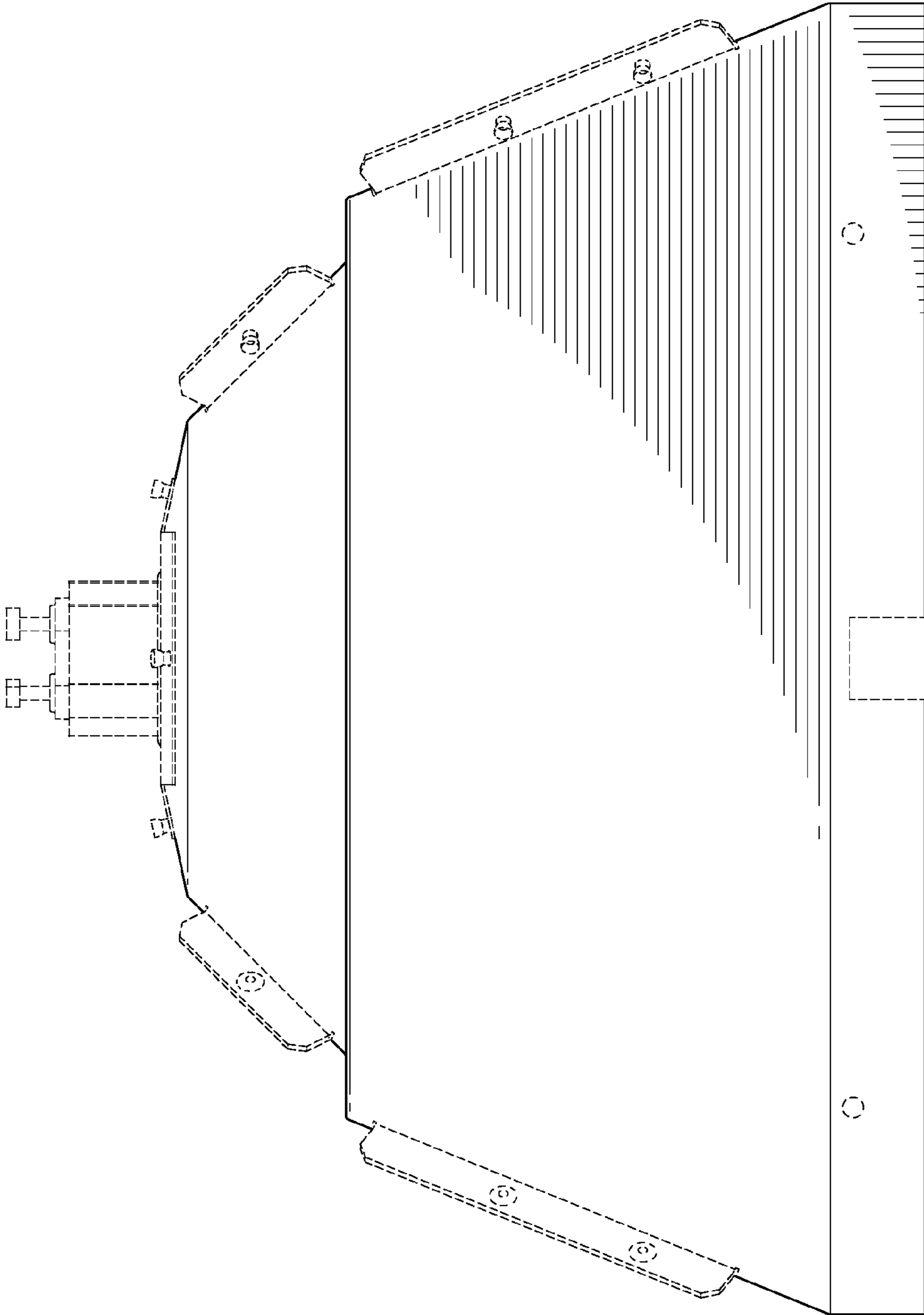


FIG. 5

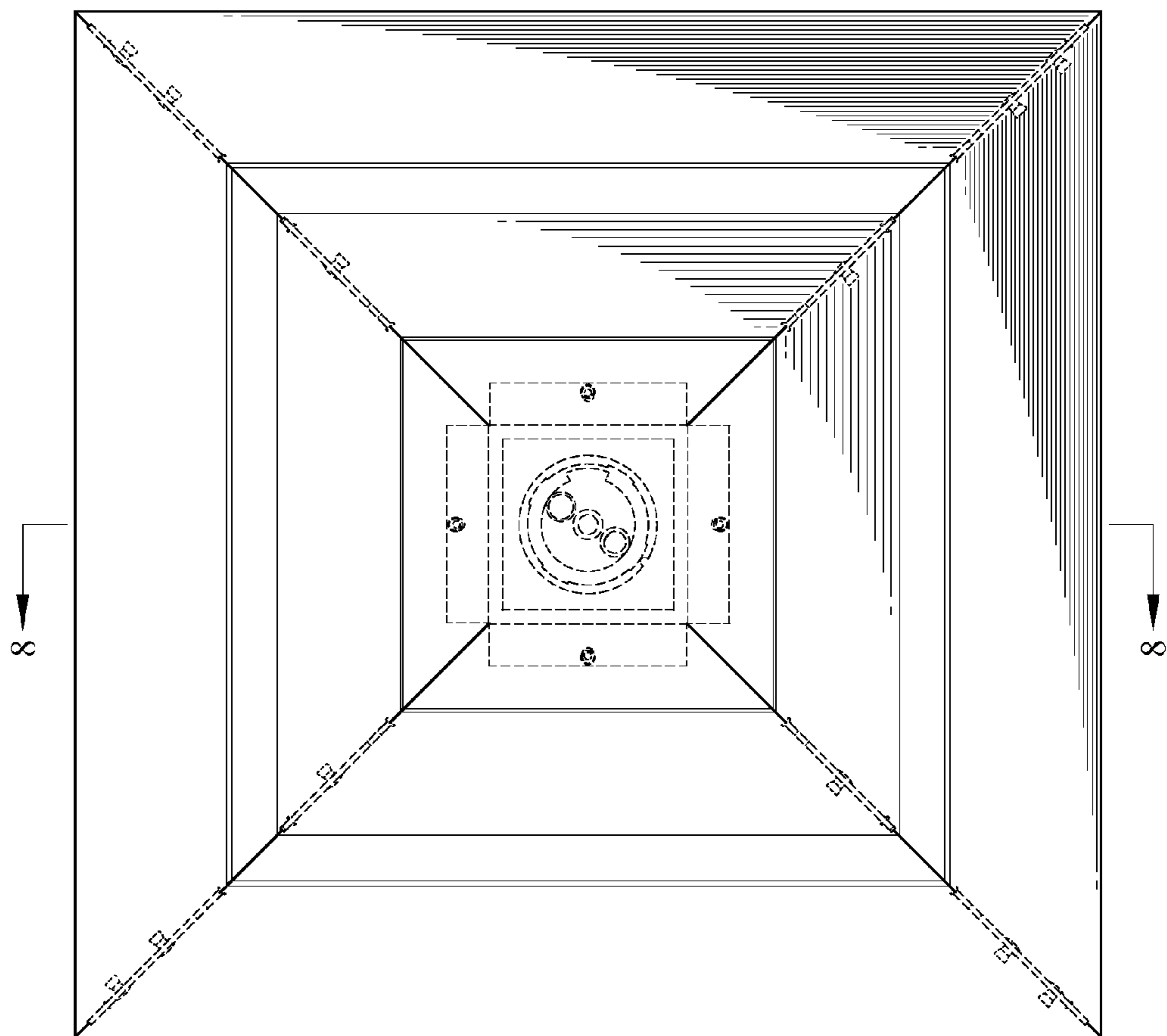


FIG. 6

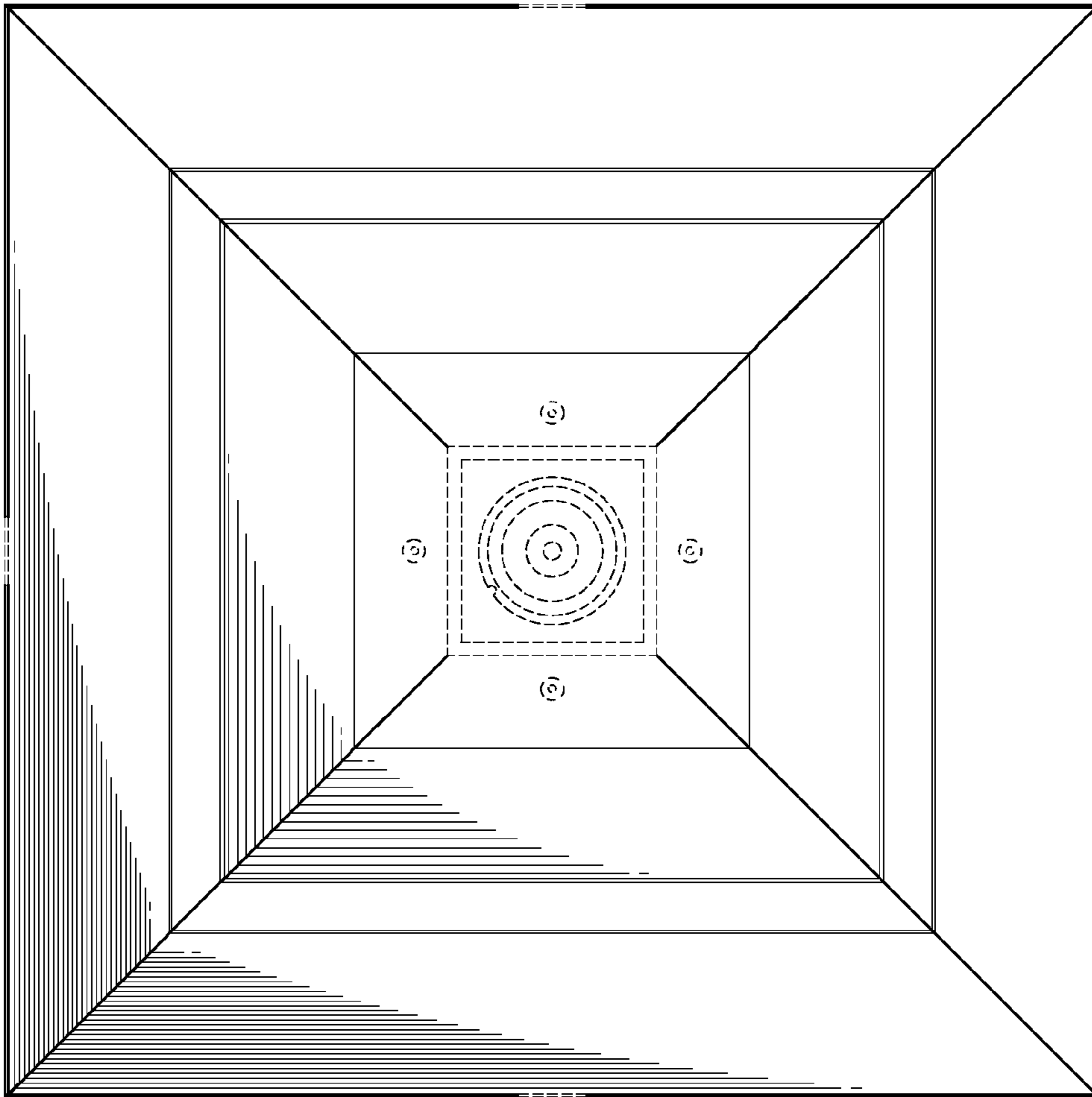


FIG. 7

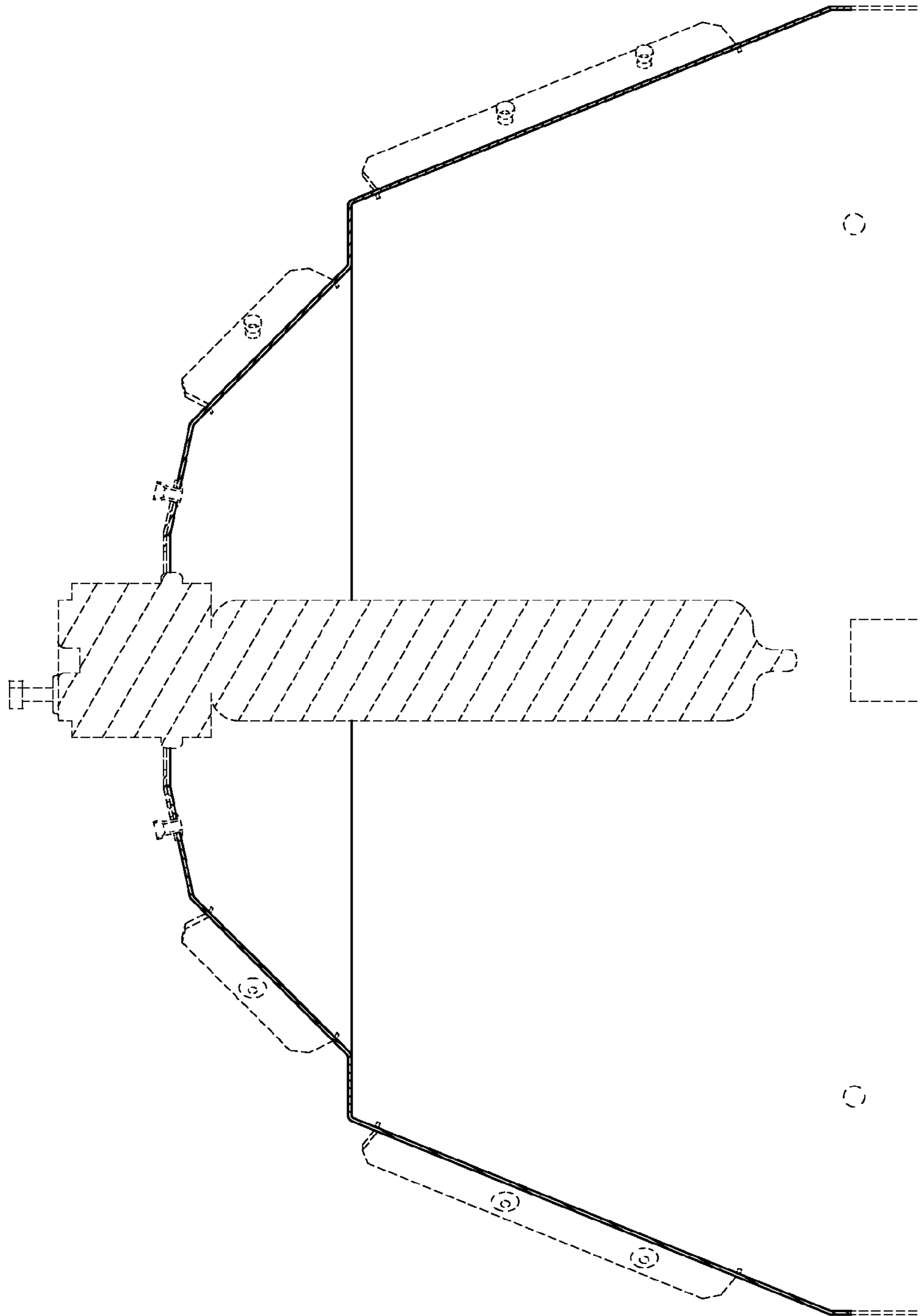


FIG. 8