



US00D614800S

(12) **United States Design Patent**  
**Barbeau et al.**

(10) **Patent No.:** **US D614,800 S**

(45) **Date of Patent:** **\*\* Apr. 27, 2010**

(54) **LIGHTING APPARATUS**

(75) Inventors: **Stefane Barbeau**, Roxbury, MA (US);  
**Duane Smith**, Roxbury, MA (US)

(73) Assignee: **Helen of Troy Limited**, St. Michael  
(BB)

(\*\*) Term: **14 Years**

(21) Appl. No.: **29/332,979**

(22) Filed: **Feb. 27, 2009**

(51) **LOC (9) Cl.** ..... **26-03**

(52) **U.S. Cl.** ..... **D26/97**

(58) **Field of Classification Search** ..... D26/1,  
D26/24, 32, 67, 93-94, 97, 101, 104-110,  
D26/113, 118; 362/3, 153, 186, 217, 255,  
362/257, 277, 317, 351, 353, 362, 363, 382,  
362/431, 433, 458, 806; D21/463, 447  
See application file for complete search history.

(56) **References Cited**

**U.S. PATENT DOCUMENTS**

- D105,511 S \* 8/1937 Blackmore ..... D26/100
- 2,638,583 A \* 5/1953 Edwards, Jr. .... D26/104
- D252,169 S \* 6/1979 Lacko, Sr. .... D26/97

- D337,390 S \* 7/1993 Lin ..... D26/97
- D430,950 S \* 9/2000 Lee et al. .... D26/104
- D433,769 S \* 11/2000 Liu ..... D26/104
- D496,125 S \* 9/2004 Solari ..... D26/104

\* cited by examiner

*Primary Examiner*—Brian N Vinson

(74) *Attorney, Agent, or Firm*—Seyfarth Shaw LLP

(57) **CLAIM**

The ornamental design for a lighting apparatus, as shown and described.

**DESCRIPTION**

FIG. 1 is a perspective view of a lighting apparatus showing our new design;

FIG. 2 is a top plan view thereof;

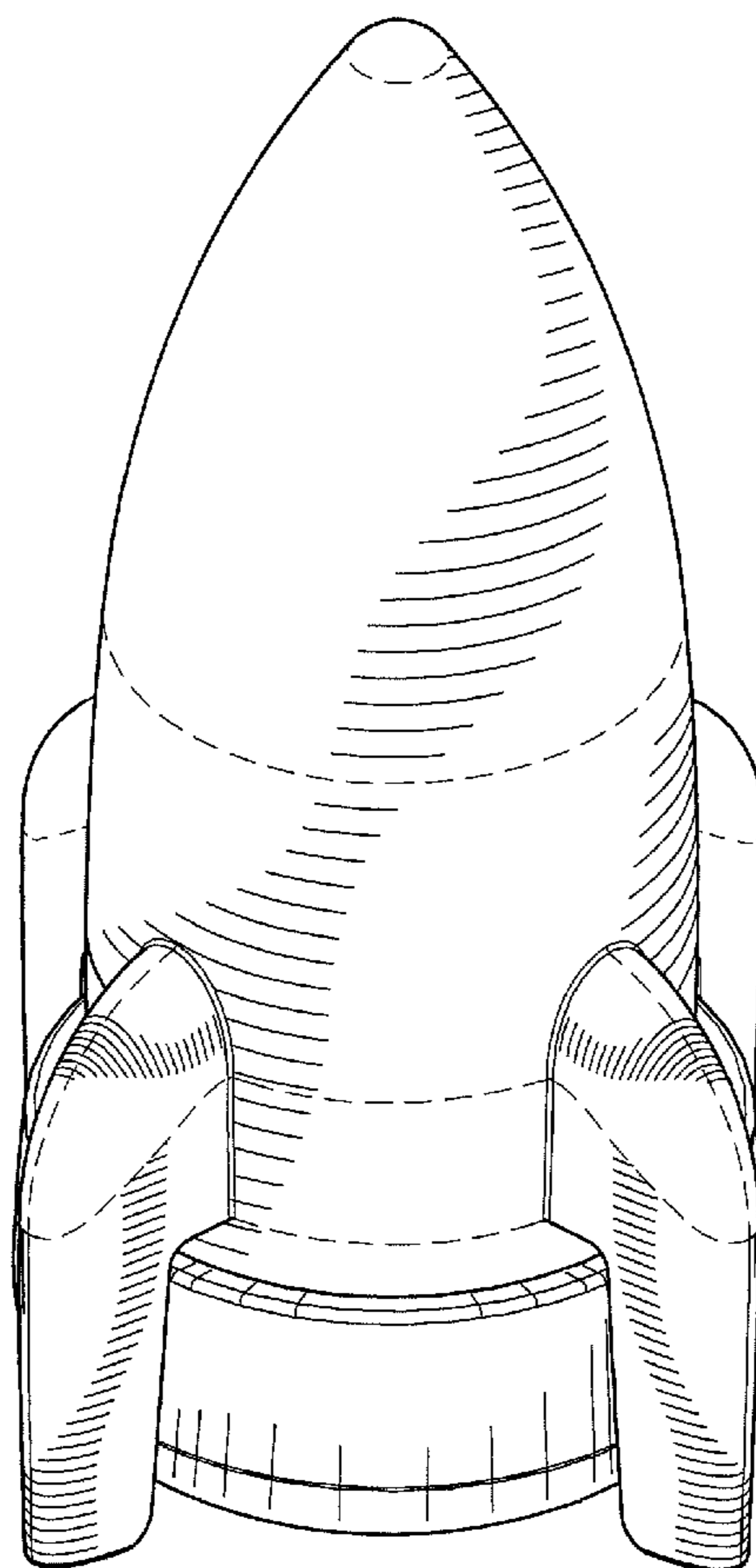
FIG. 3 is a bottom plan view thereof;

FIG. 4 is a side elevational view thereof; and,

FIG. 5 is a cross-sectional view thereof, taken along line 5—5 of FIG. 2.

The broken-line disclosure in the views is understood to represent portions of the article in which the claimed design is embodied, but which form no part of the claimed design.

**1 Claim, 4 Drawing Sheets**



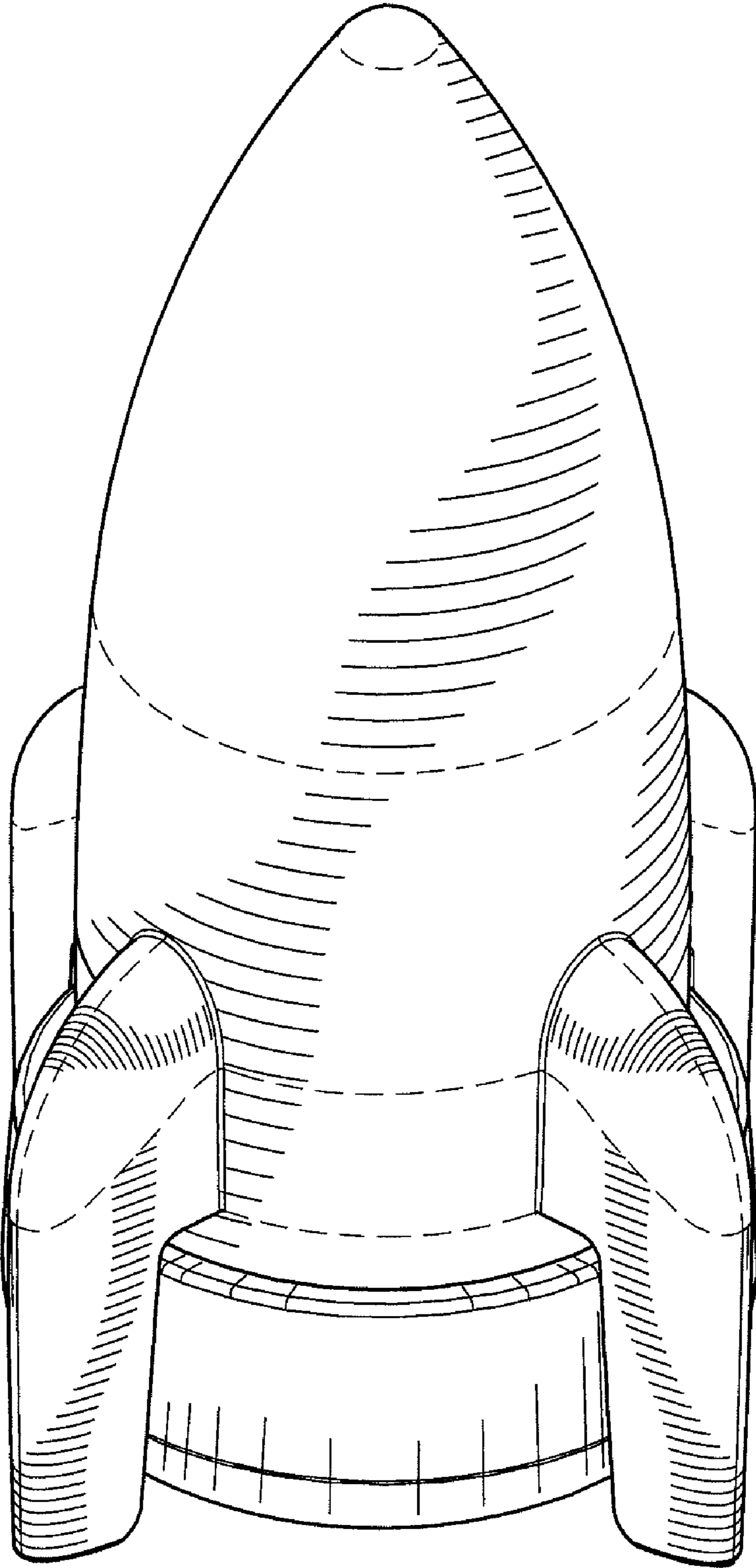


FIG. 1

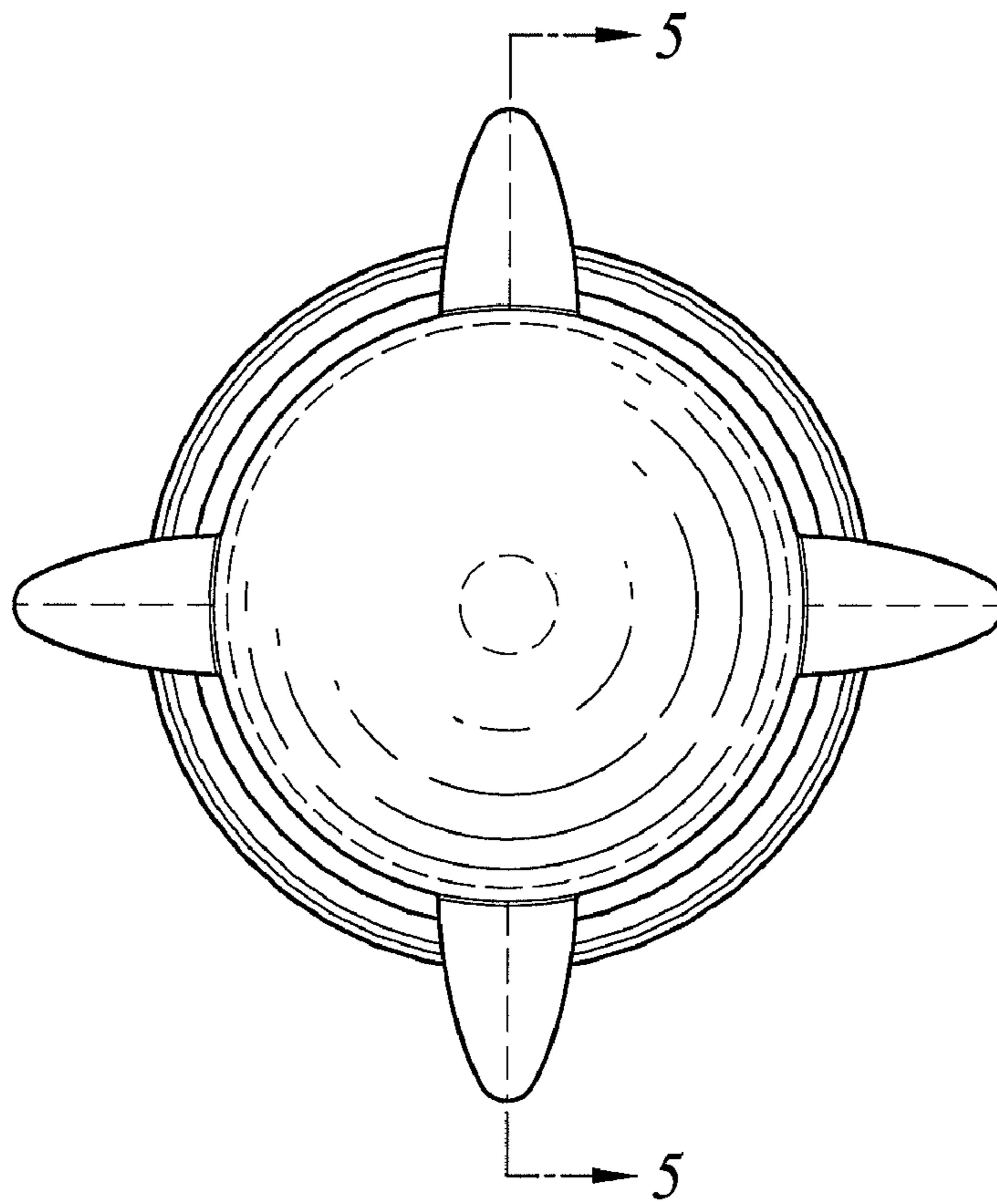


FIG. 2

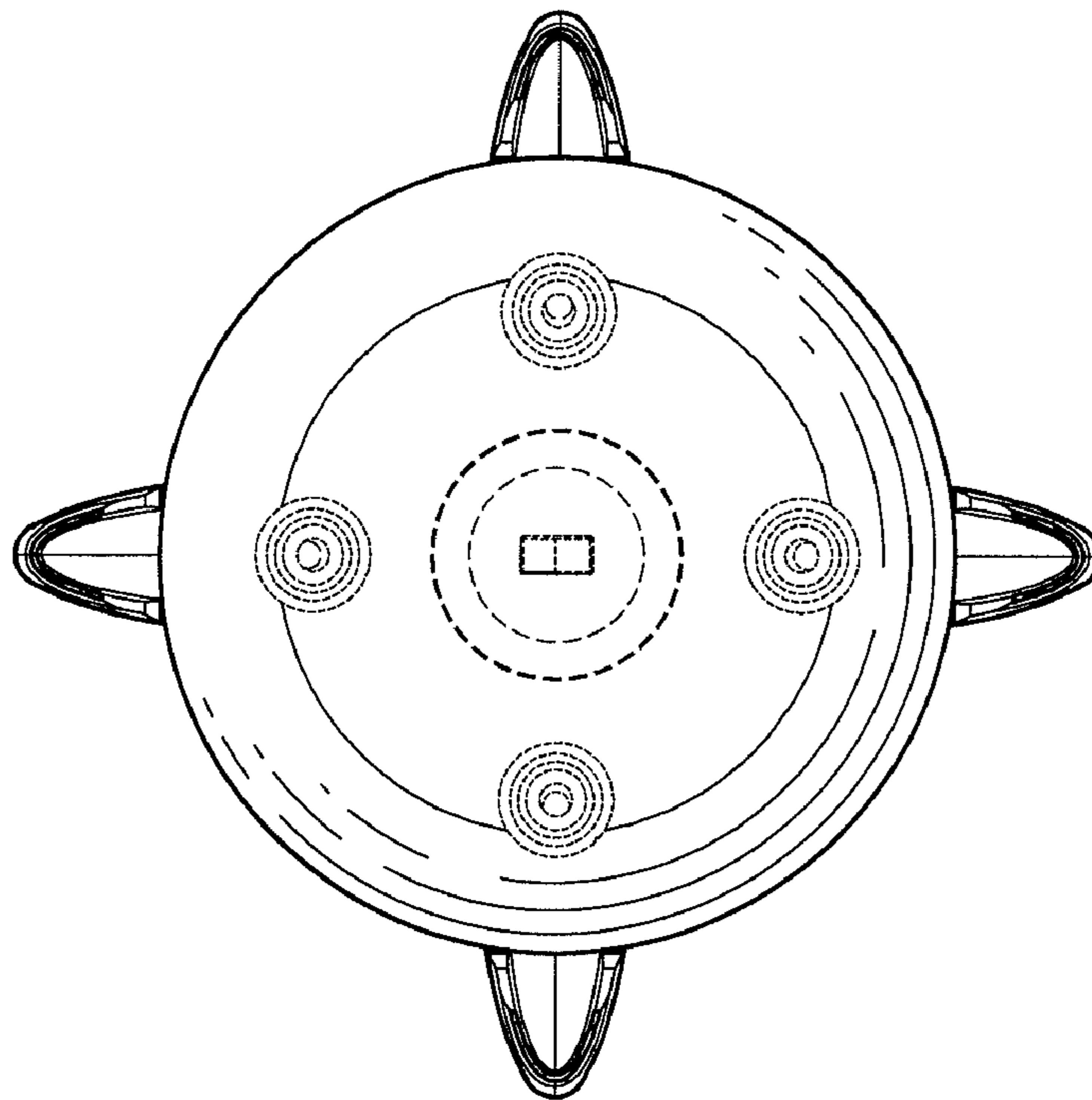


FIG. 3

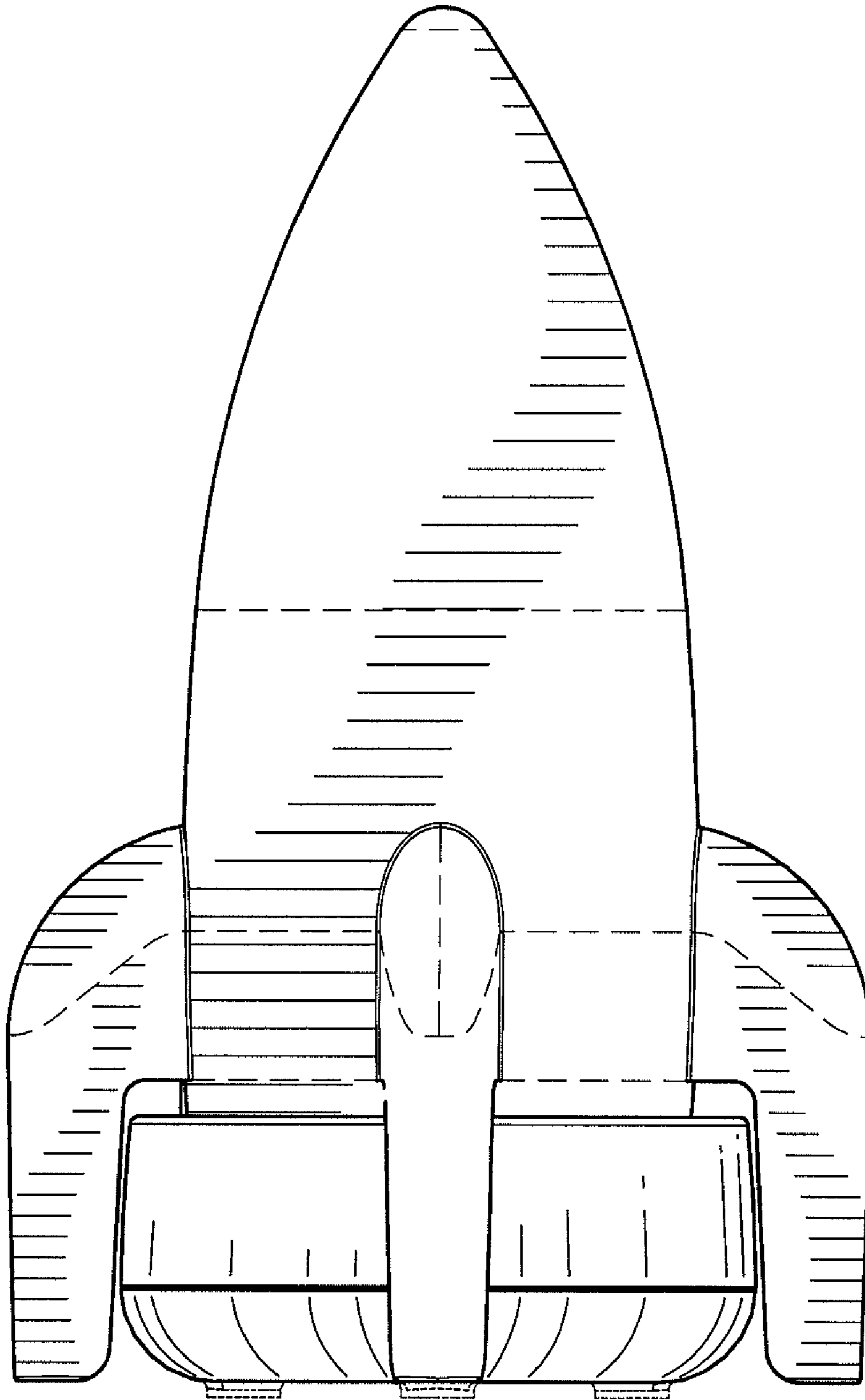


FIG. 4

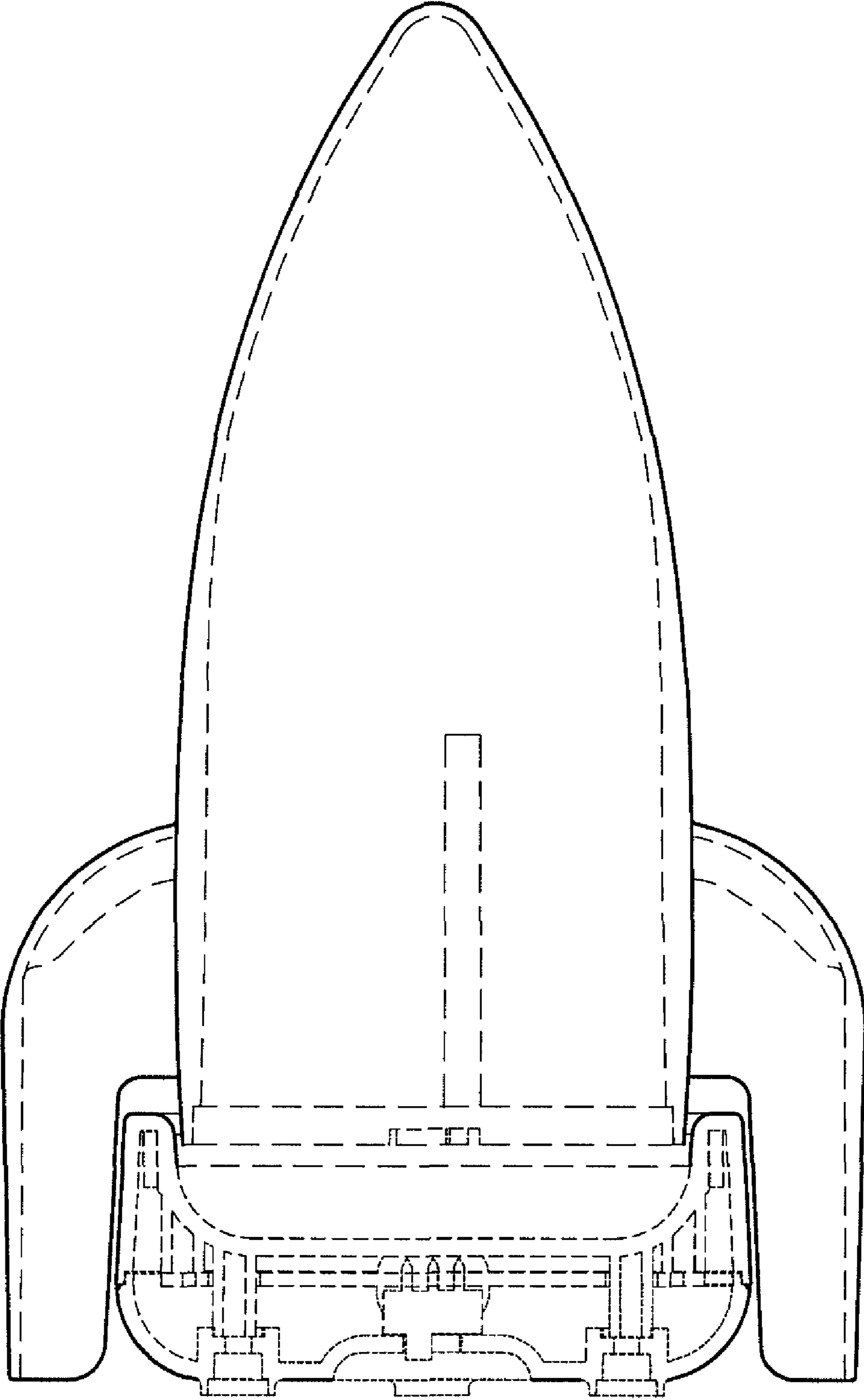


FIG. 5