



US00D614798S

(12) **United States Design Patent**  
**Sabernig**

(10) **Patent No.:** **US D614,798 S**  
(45) **Date of Patent:** **\*\* Apr. 27, 2010**

(54) **LIGHT FIXTURE**

(75) Inventor: **Robert Sabernig**, Munster (AT)

(73) Assignee: **EGLO Leuchten GmbH**, Innsbruck (AT)

(\*\*) Term: **14 Years**

(21) Appl. No.: **29/327,025**

(22) Filed: **Oct. 29, 2008**

(51) **LOC (9) Cl.** ..... **23-03**

(52) **U.S. Cl.** ..... **D26/93**

(58) **Field of Classification Search** ..... D26/24,  
D26/61-67, 93, 102, 104-105, 108-109;  
362/509, 516, 523, 186, 217, 255, 257, 277,  
362/317, 319, 351, 354, 355, 357, 358, 362,  
362/382, 410, 413, 417, 806

See application file for complete search history.

(56) **References Cited**

**U.S. PATENT DOCUMENTS**

1,416,664 A	5/1922	Healy et al.	
D152,336 S	1/1949	Hirshfield	
D262,321 S	12/1981	Kvasnicka	
D263,762 S	4/1982	Franzblau	
D272,657 S	2/1984	Caldwell	
D291,927 S	9/1987	Priddy	
D337,847 S	7/1993	Meck et al.	
D350,623 S	9/1994	Wang	
D366,718 S *	1/1996	Kattler	..... D26/93
D368,547 S	4/1996	Chen	
D369,430 S	4/1996	Huang	
D370,071 S	5/1996	Sonneman	
D373,000 S	8/1996	Brady	
D385,647 S	10/1997	Swanson	
D393,917 S *	4/1998	Hutton	..... D26/106
D410,297 S	5/1999	Huang	
D418,624 S	1/2000	Vanderbyl	
D433,176 S	10/2000	Barry	
D441,487 S	5/2001	Crosby	
D448,881 S	10/2001	Lin	
D487,815 S	3/2004	Hoernig	

D509,019 S	8/2005	Castro et al.
D512,175 S	11/2005	Santachiara
D514,246 S	1/2006	Hoernig
D525,739 S	7/2006	Wu
D533,957 S	12/2006	Barozzini
D553,788 S	10/2007	Holmes

(Continued)

**OTHER PUBLICATIONS**

Lite Source; Bahari Floor Lamp Chrome and Dark Walnut; Model No. 80270C/DWAL; printed from www.lampsusa.com on Mar. 11, 2008.

(Continued)

*Primary Examiner*—Brian N Vinson  
(74) *Attorney, Agent, or Firm*—Baker & McKenzie LLP

(57) **CLAIM**

The ornamental design for a light fixture, as shown and described.

**DESCRIPTION**

FIG. 1 is a bottom perspective view of a light fixture in accordance with my design;

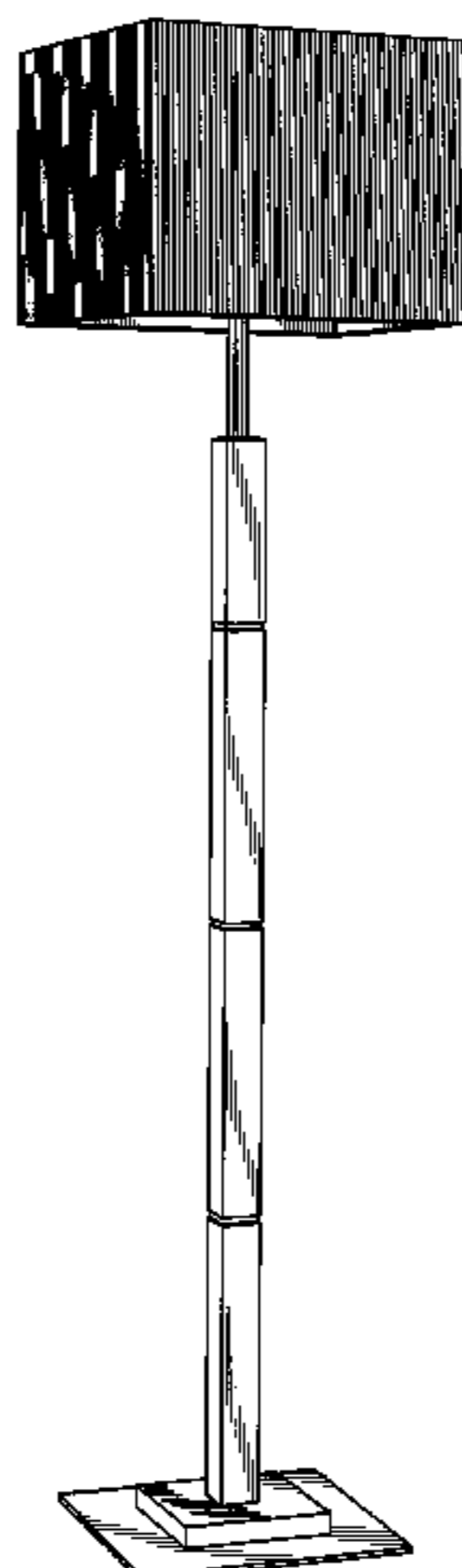
FIG. 2 is a top plan view of the light fixture in accordance with my design;

FIG. 3 is a bottom plan view of the light fixture in accordance with my design; and,

FIG. 4 is a side elevation view of the light fixture in accordance with my design, all side views being identical.

The broken-line disclosure of elements within the lamp shade structure are understood to represent portions of the article in which the design is embodied, but which form no part of the claimed design.

**1 Claim, 1 Drawing Sheet**



# US D614,798 S

Page 2

---

## U.S. PATENT DOCUMENTS

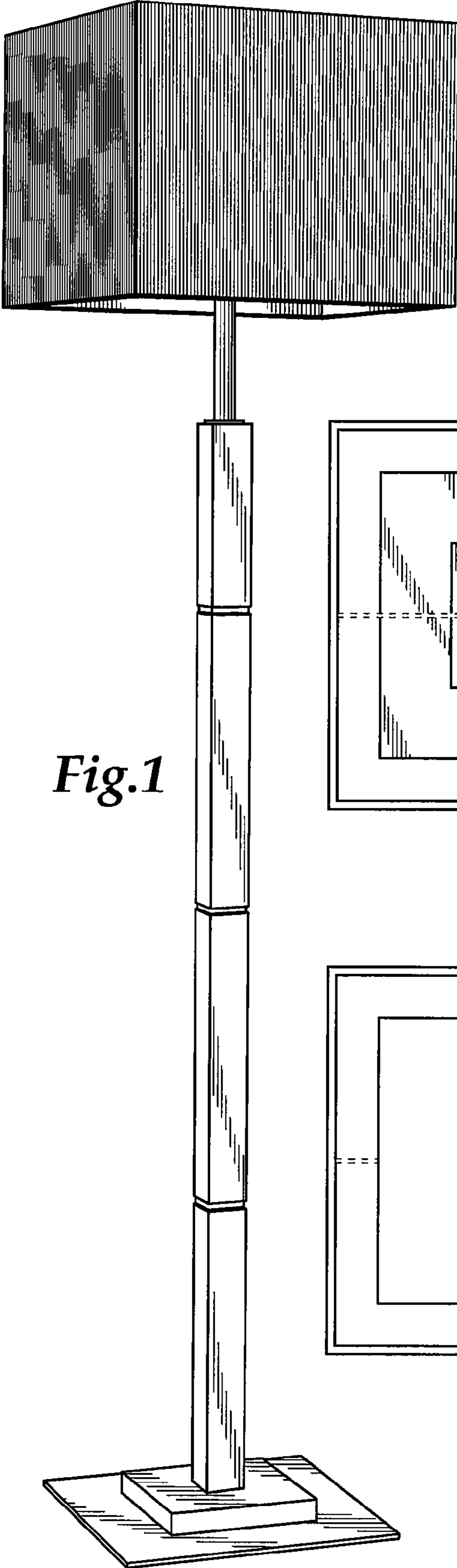
D579,602 S \* 10/2008 Gotz-Schafer ..... D26/86  
D589,206 S \* 3/2009 Sabernig ..... D26/110  
D589,641 S \* 3/2009 Sabernig ..... D26/93  
D590,092 S \* 4/2009 Starck ..... D26/93  
D590,093 S \* 4/2009 Starck ..... D26/93  
D595,008 S \* 6/2009 Starck ..... D26/93

## OTHER PUBLICATIONS

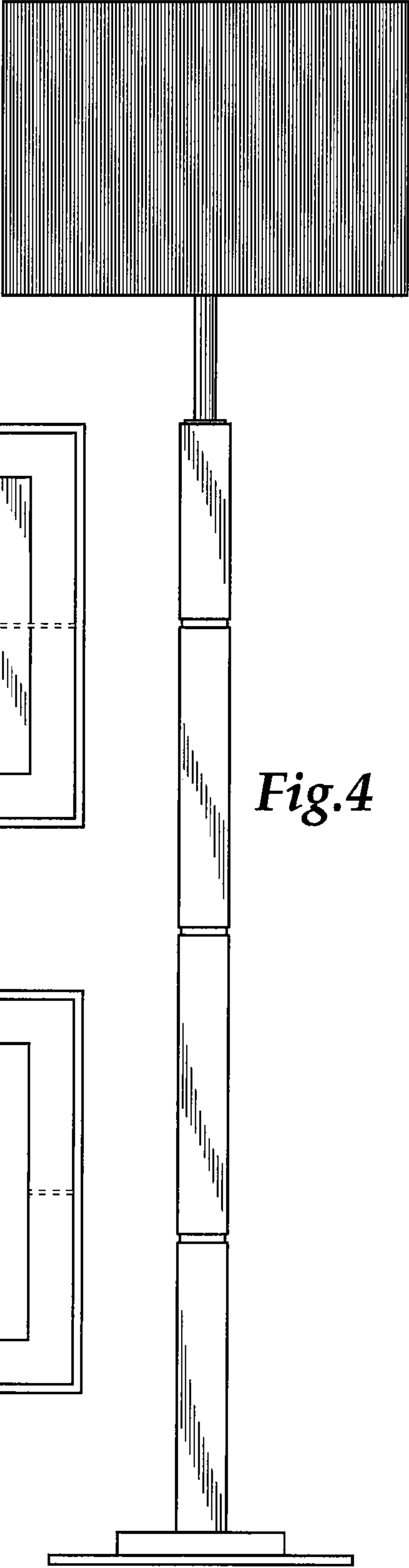
Manuel Vivian; Clavius Floor; Model No. LC-PTCVALVIUSBC;  
printed from [www.lightology.com](http://www.lightology.com) on Mar. 19, 2008.  
Eurofase; Canly 2-Light Wall Sconce; Model No. 12526; printed  
from [www.eurofase.com](http://www.eurofase.com) on Mar. 11, 2008.

Eurofase; Maggie 1-Light Pendant; Model No. PN-1MAG; printed  
from [www.eurofase.com](http://www.eurofase.com) on Mar. 11, 2008.  
Gus Design Group; Acylic Hanging Lamp; printed from [www.designpublic.com](http://www.designpublic.com) on Apr. 8, 2008.  
Lite Source; Hynes Floor Lamp Chrome and Dark Brown Leather;  
Model No. LS-8969DWAL; printed from [www.lampsusa.com](http://www.lampsusa.com) on  
Mar. 11, 2008.  
Lights Up! Rex Pendant Lamp; printed from [www.designpublic.com](http://www.designpublic.com)  
on Apr. 8, 2008.  
Vidal Pedralis; Natura Floor; Model No. LC-301-NAT-WLM;  
printed from [www.lightology.com](http://www.lightology.com) on Mar. 19, 2008.  
Sonneman; Boxus Sconce; Model No. 3352; printed from [www.lightinguniverse.com](http://www.lightinguniverse.com) on Apr. 10, 2008.

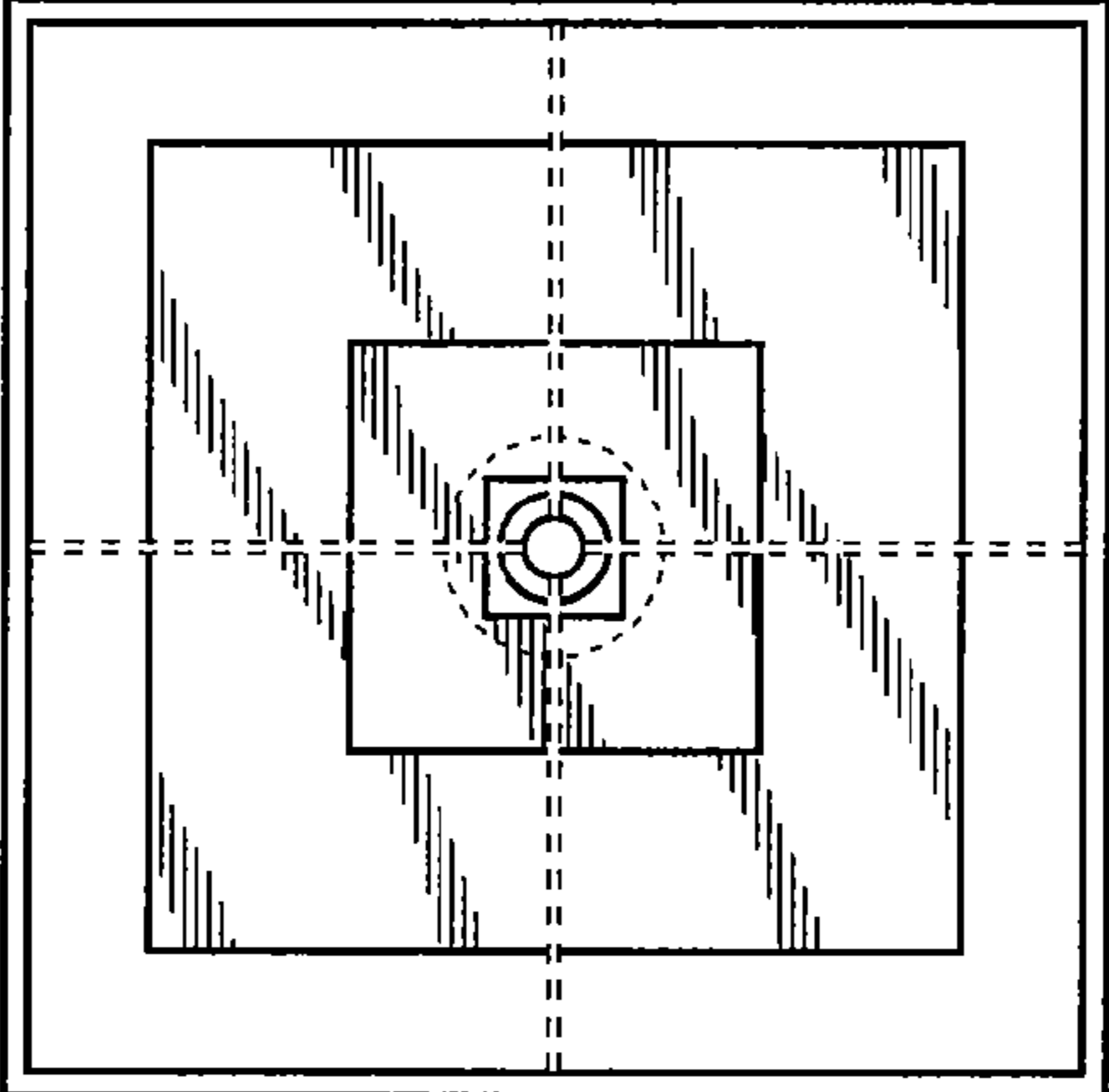
\* cited by examiner



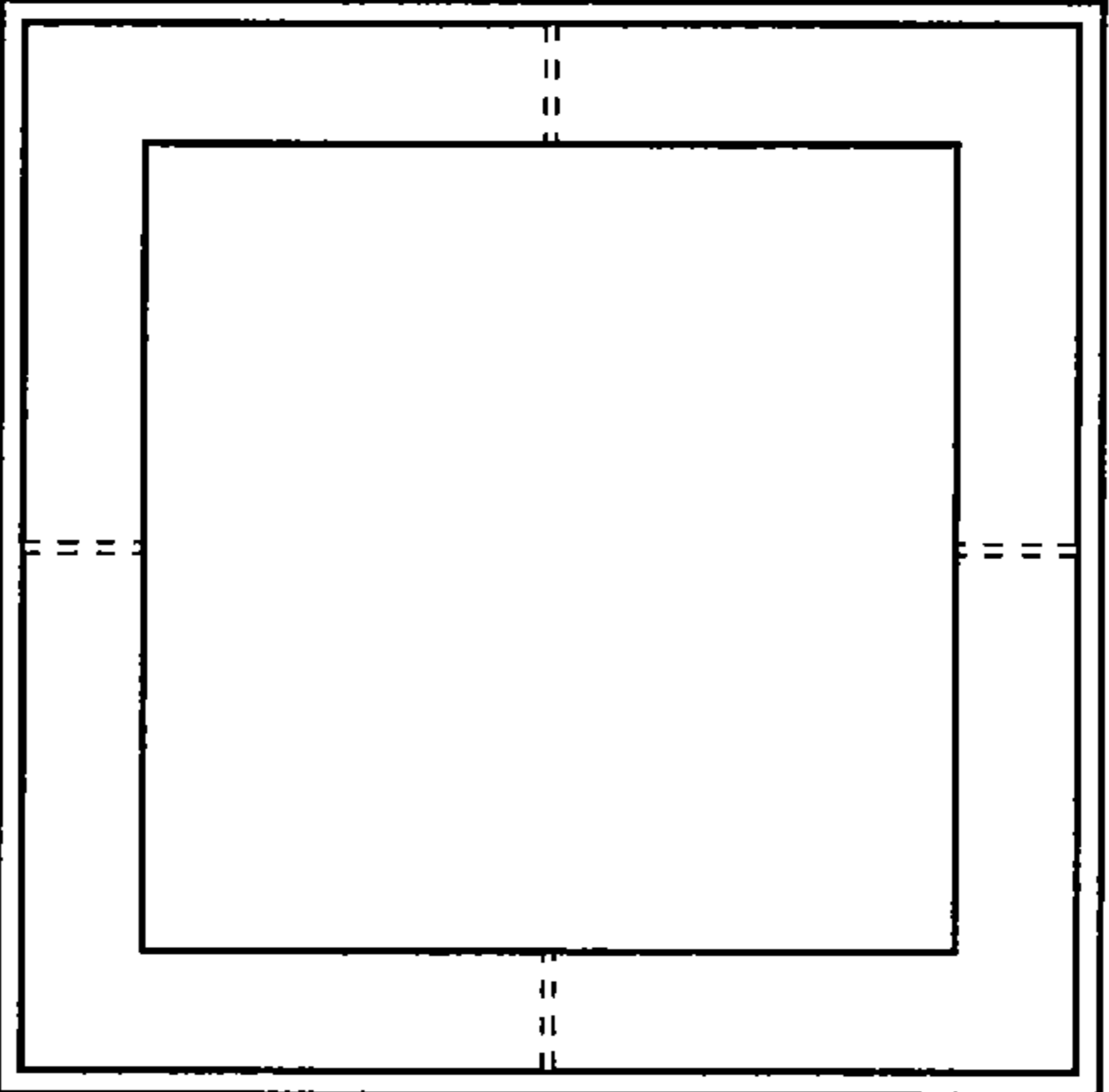
*Fig.1*



*Fig.4*



*Fig.2*



*Fig.3*