



US00D614796S

(12) **United States Design Patent**  
**Sabernig**

(10) **Patent No.:** **US D614,796 S**

(45) **Date of Patent:** **\*\* Apr. 27, 2010**

(54) **LIGHT FIXTURE**

(75) Inventor: **Robert Sabernig**, Munster (AT)

(73) Assignee: **EGLO Leuchten GmbH**, Innsbruck (AT)

(\*\*) Term: **14 Years**

(21) Appl. No.: **29/324,053**

(22) Filed: **Sep. 5, 2008**

(51) **LOC (9) Cl.** ..... **26-03**

(52) **U.S. Cl.** ..... **D26/93**

(58) **Field of Classification Search** ..... D26/1,  
D26/24, 67, 93-94, 104-110; 362/3, 153,  
362/186, 217, 255, 257, 277, 317, 351, 353,  
362/362, 363, 382, 431, 433, 458, 806  
See application file for complete search history.

(56) **References Cited**

**U.S. PATENT DOCUMENTS**

D368,547 S *	4/1996	Chen	.....	D26/93
D393,917 S *	4/1998	Hutton	.....	D26/106
D484,271 S *	12/2003	Chandler	.....	D26/93
D589,641 S *	3/2009	Sabernig	.....	D26/93
D590,092 S *	4/2009	Starck	.....	D26/93
D595,008 S *	6/2009	Starck	.....	D26/93

\* cited by examiner

*Primary Examiner*—Brian N Vinson

(74) *Attorney, Agent, or Firm*—Baker & McKenzie LLP

(57) **CLAIM**

The ornamental design for a light fixture, as shown and described.

**DESCRIPTION**

FIG. 1 is a top perspective view of a light fixture in accordance with my design;

FIG. 2 is a bottom plan view of the light fixture in accordance with my design;

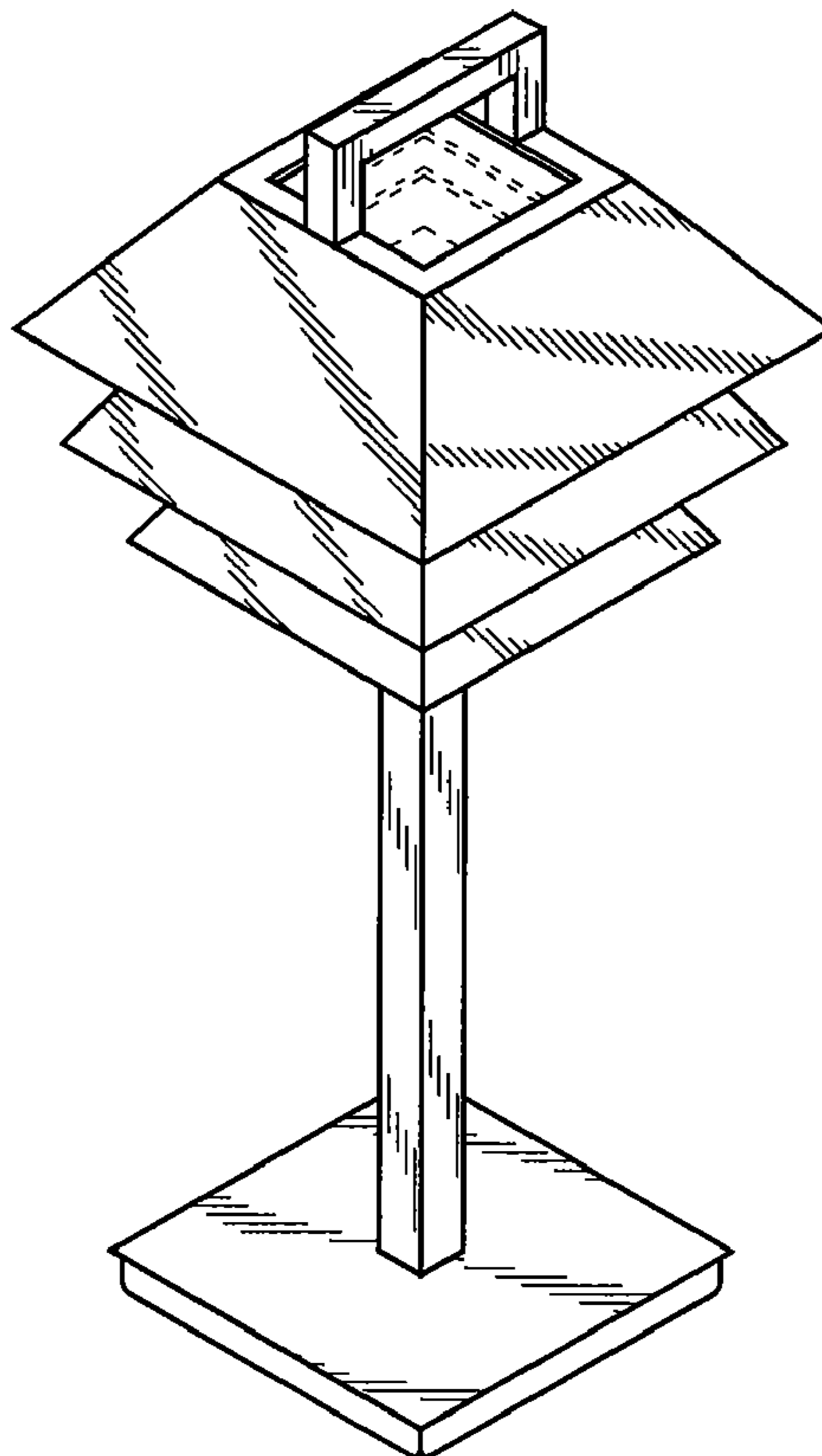
FIG. 3 is a front elevation view of the light fixture in accordance with my design, the opposite side being a mirror image of that shown;

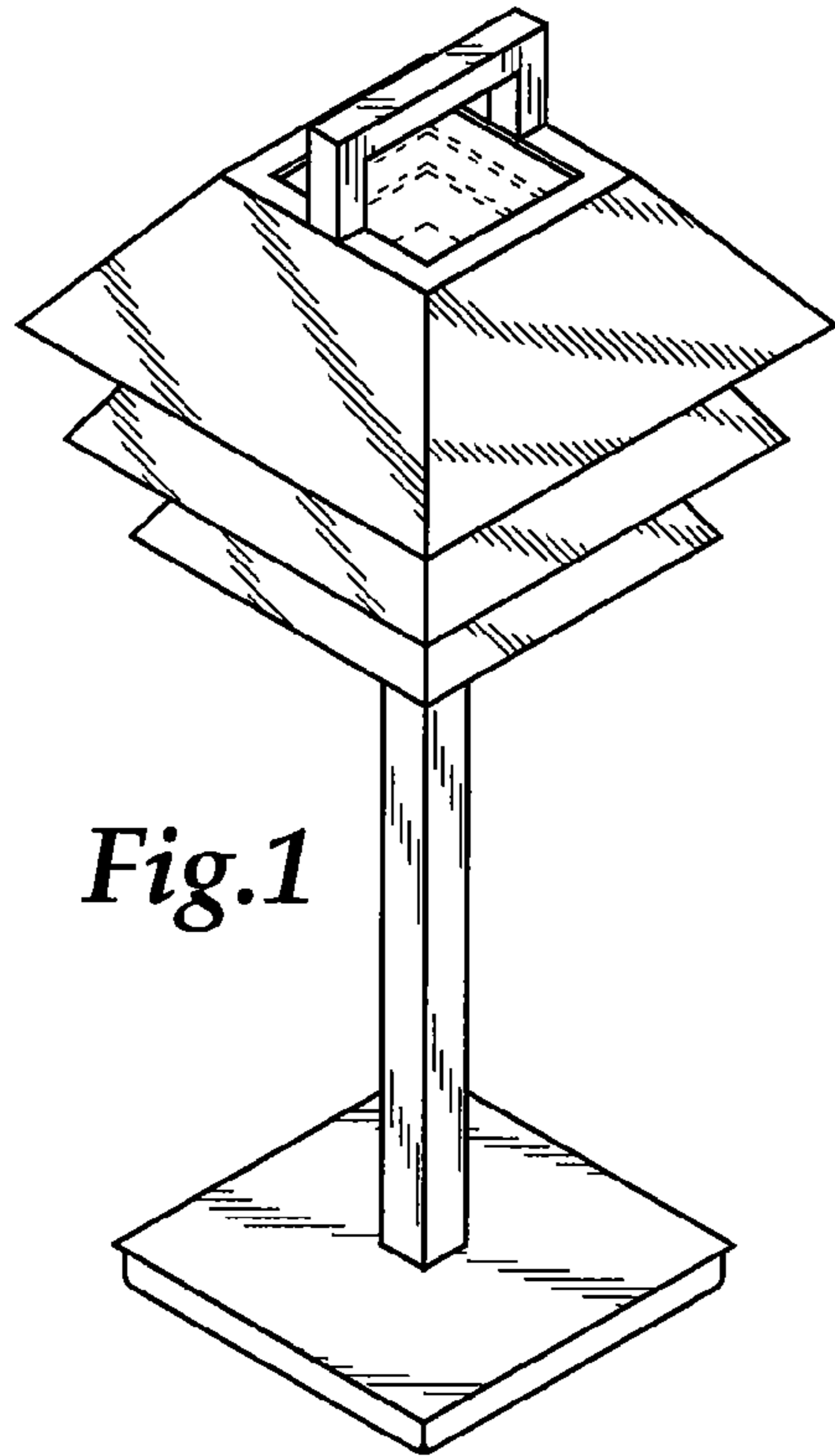
FIG. 4 is a side elevation view of the light fixture in accordance with my design, the opposite side being a mirror image of that shown; and,

FIG. 5 is a top plan view of the light fixture in accordance with my design.

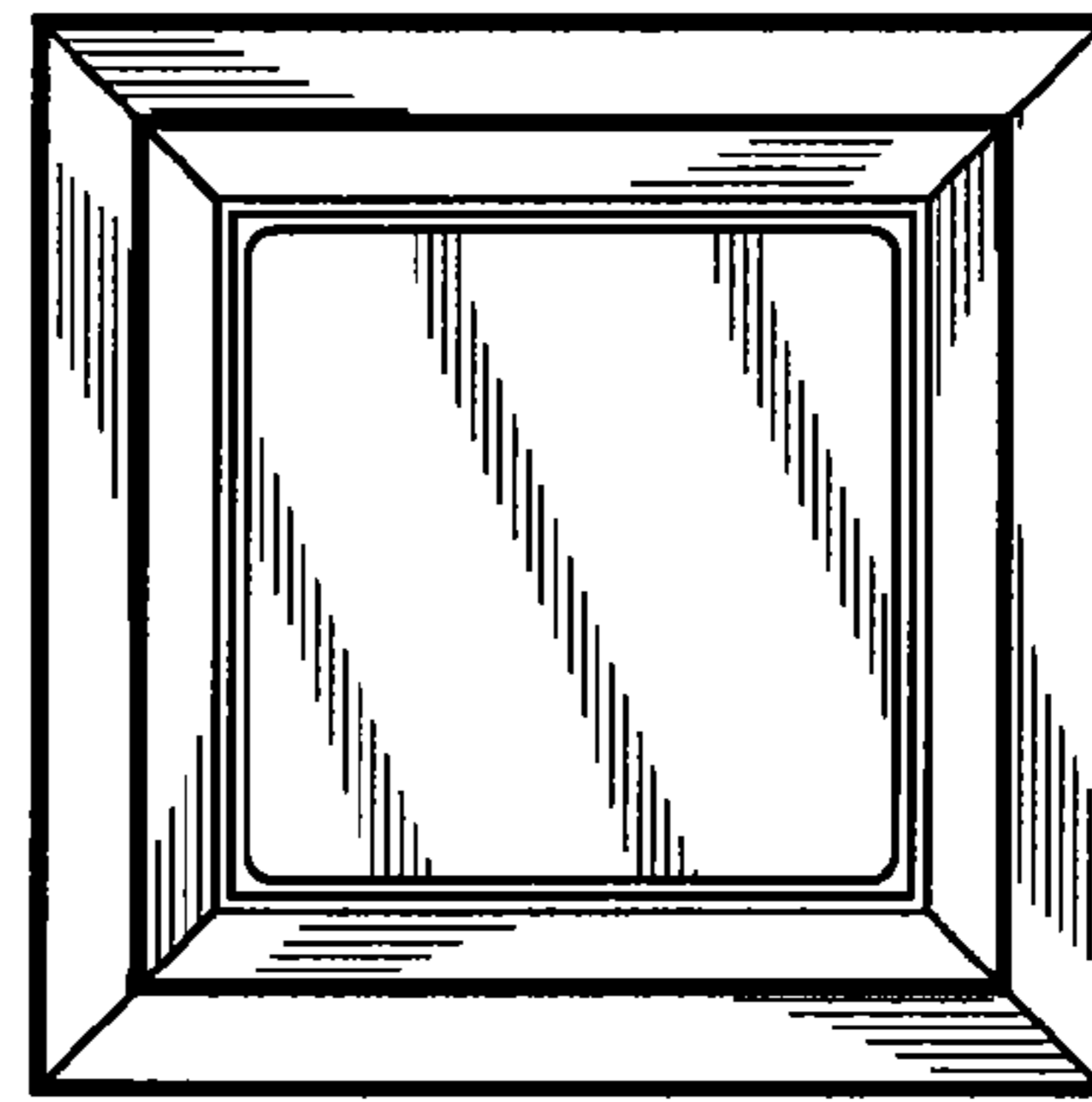
The broken-line disclosure of elements within the lamp shade structure are understood to represent portions of the article in which the design is embodied, but which form no part of the claimed design.

**1 Claim, 1 Drawing Sheet**

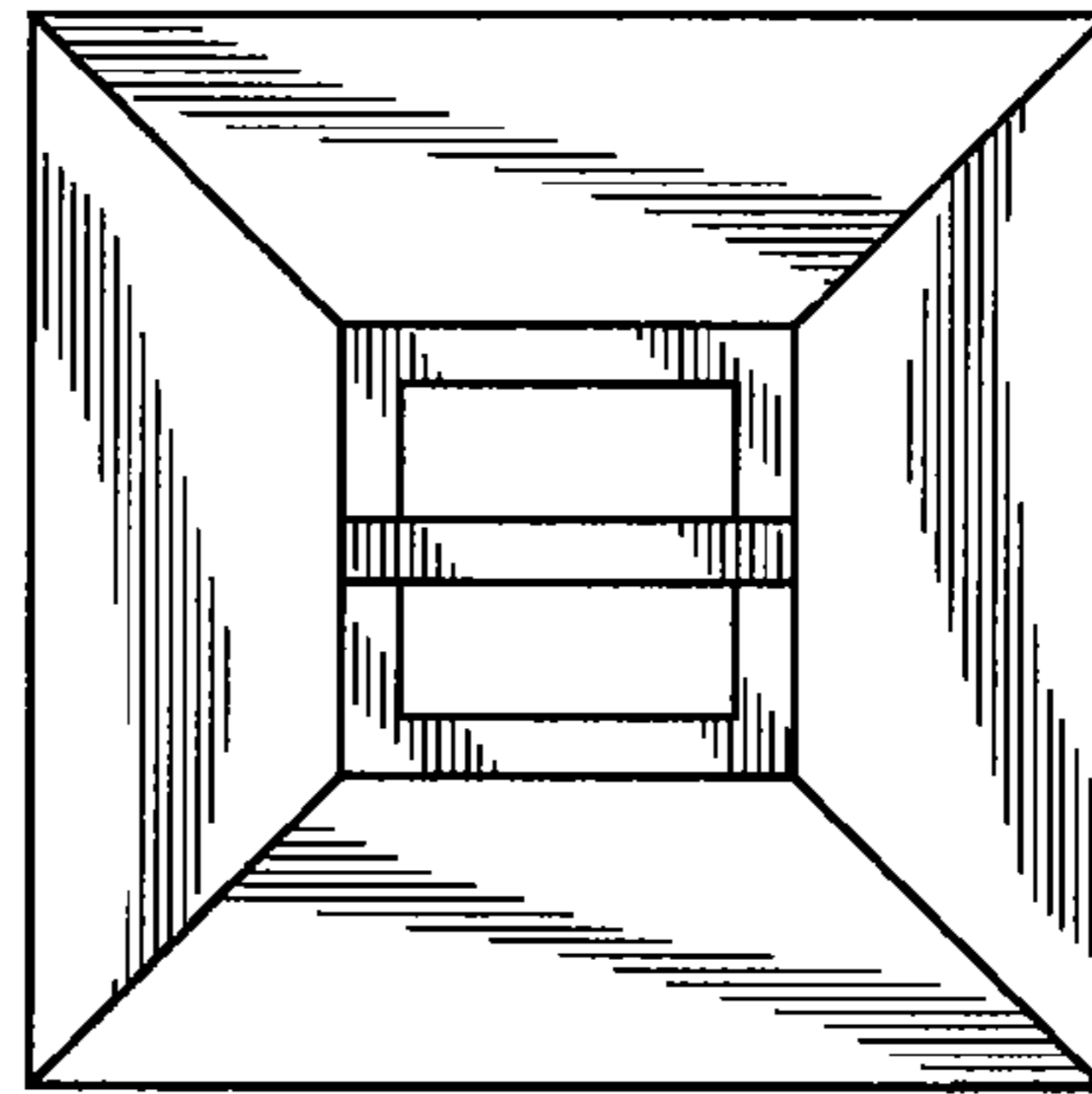




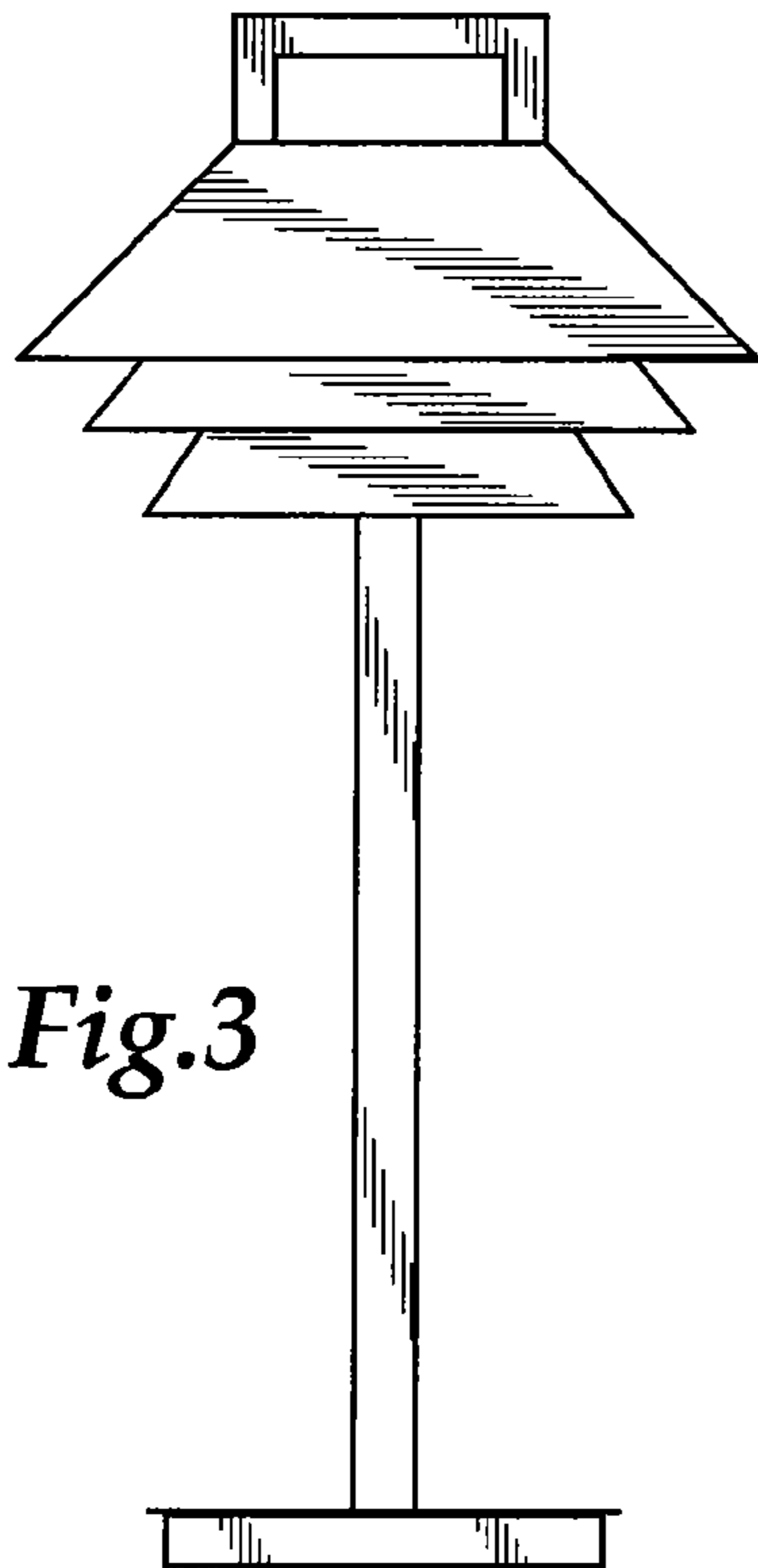
*Fig.1*



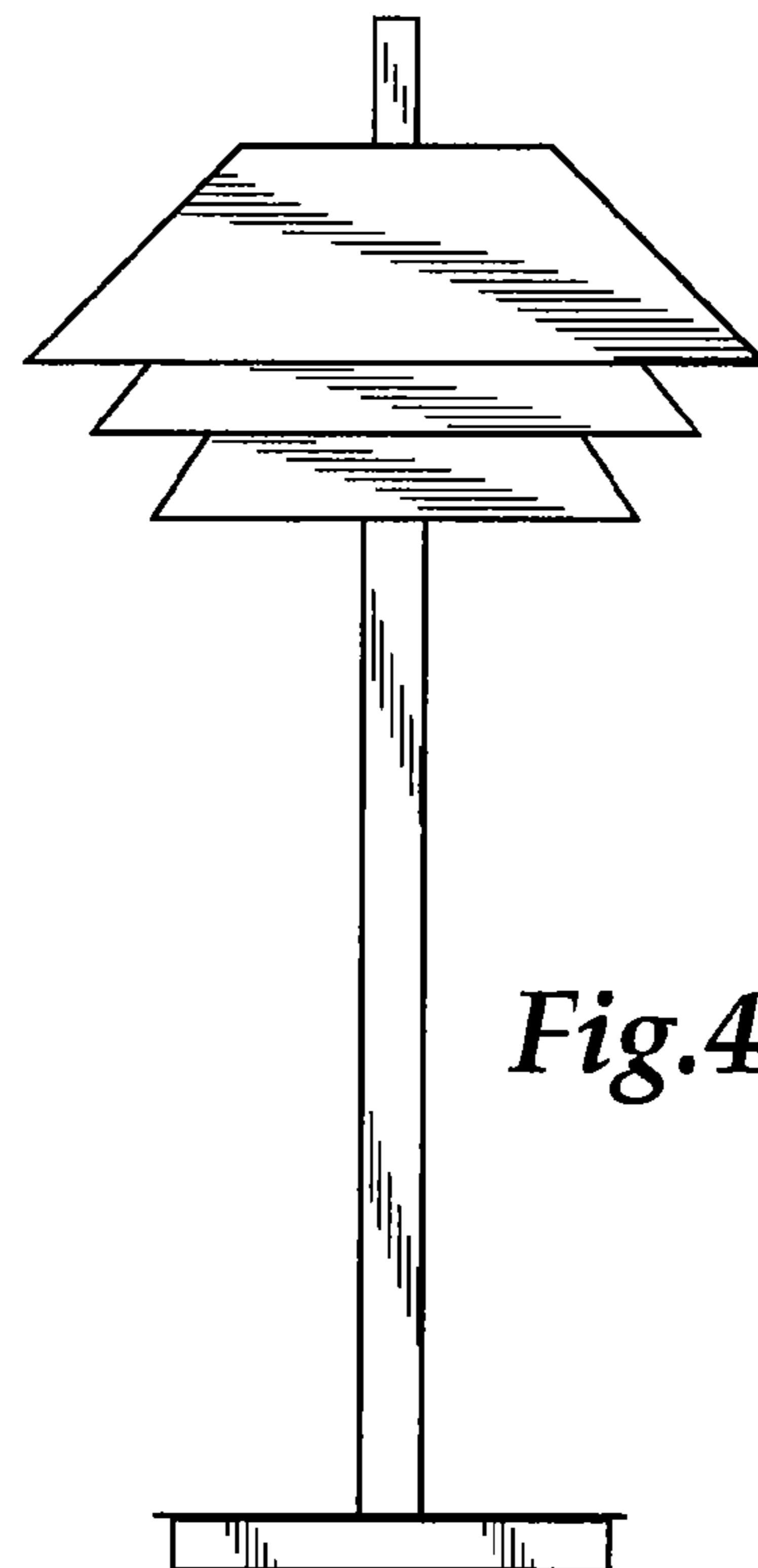
*Fig.2*



*Fig.5*



*Fig.3*



*Fig.4*