



US00D614795S

(12) **United States Design Patent**
van Klinken

(10) **Patent No.:** **US D614,795 S**
(45) **Date of Patent:** **** Apr. 27, 2010**

(54) **LUMINAIRE FOR ROAD LIGHTING**

(75) Inventor: **Dido van Klinken**, Eindhoven (NL)

(73) Assignee: **Koninklijke Philips Electronics N.V.**,
Eindhoven (NL)

(**) Term: **14 Years**

(21) Appl. No.: **29/336,241**

(22) Filed: **Apr. 30, 2009**

(30) **Foreign Application Priority Data**

Nov. 4, 2008 (EM) 001033567-0002

(51) **LOC (9) Cl.** **26-03**

(52) **U.S. Cl.** **D26/92; D26/71**

(58) **Field of Classification Search** D26/63,
D26/67-72, 84, 85, 92; 362/145, 152, 183,
362/294, 373, 414, 431, 545, 800, 249.02,
362/249.03, 249.14, 426

See application file for complete search history.

(56) **References Cited**

U.S. PATENT DOCUMENTS

3,018,364 A * 1/1962 Wenman 362/459
3,116,023 A * 12/1963 van Dusen, Jr. et al. 362/294
D198,986 S * 8/1964 Izzi D26/63
D417,024 S * 11/1999 Stuyfzand D26/63

6,132,062 A * 10/2000 Borders et al. 362/33
D527,134 S * 8/2006 Bagen D26/71
D560,300 S * 1/2008 Compton et al. D26/61
D598,595 S * 8/2009 Levine D26/63
D599,935 S * 9/2009 van Klinken D26/67
D601,291 S * 9/2009 Nankil D26/67
2009/0237934 A1 * 9/2009 Zeng et al. 362/249.03

FOREIGN PATENT DOCUMENTS

JP 06076613 A * 3/1994

* cited by examiner

Primary Examiner—Clare E Heflin

(57) **CLAIM**

The ornamental design for a luminaire for road lighting, as shown.

DESCRIPTION

FIG. 1 is a perspective view showing my design;

FIG. 2 is a front elevational view thereof;

FIG. 3 is a rear elevational view thereof;

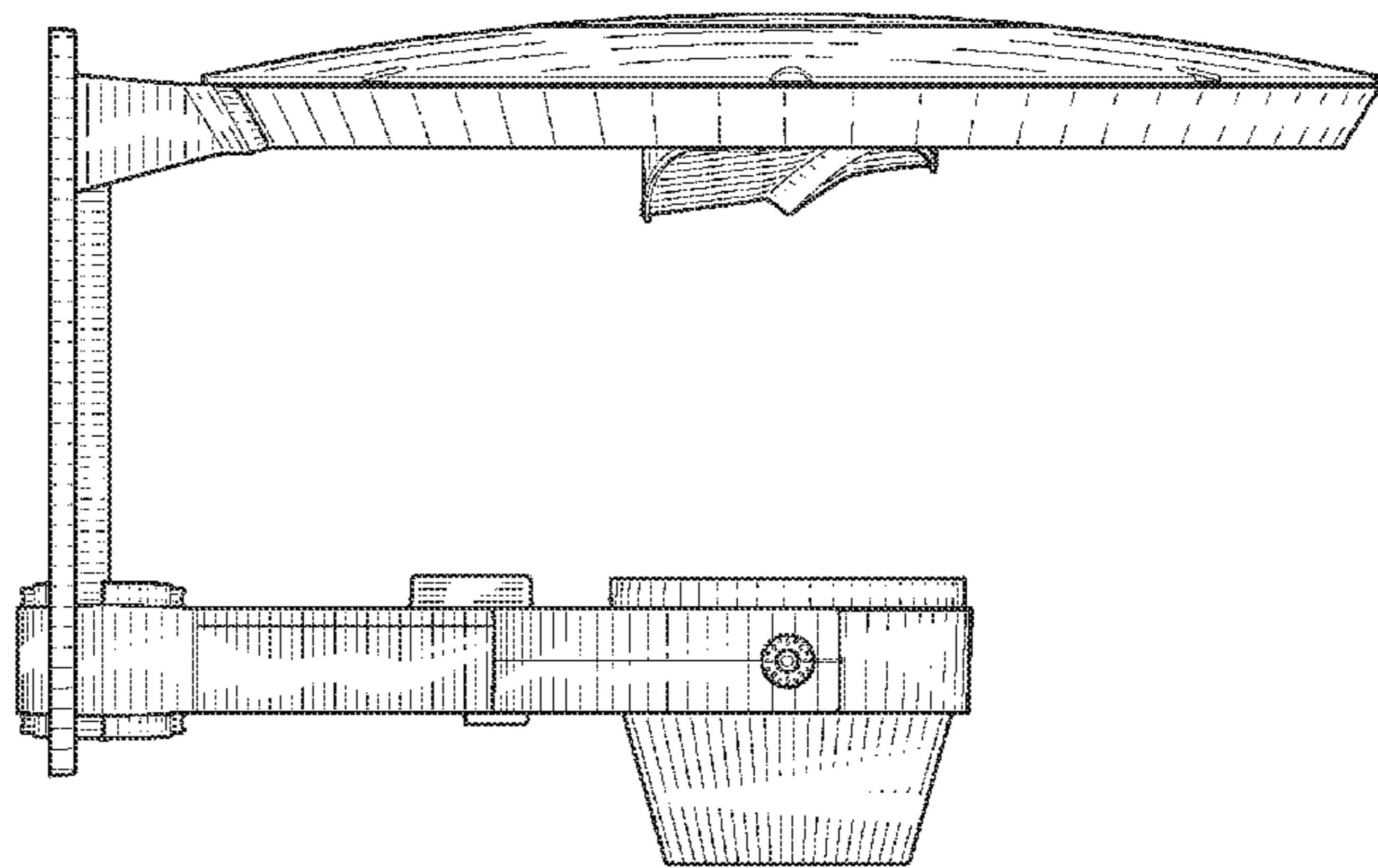
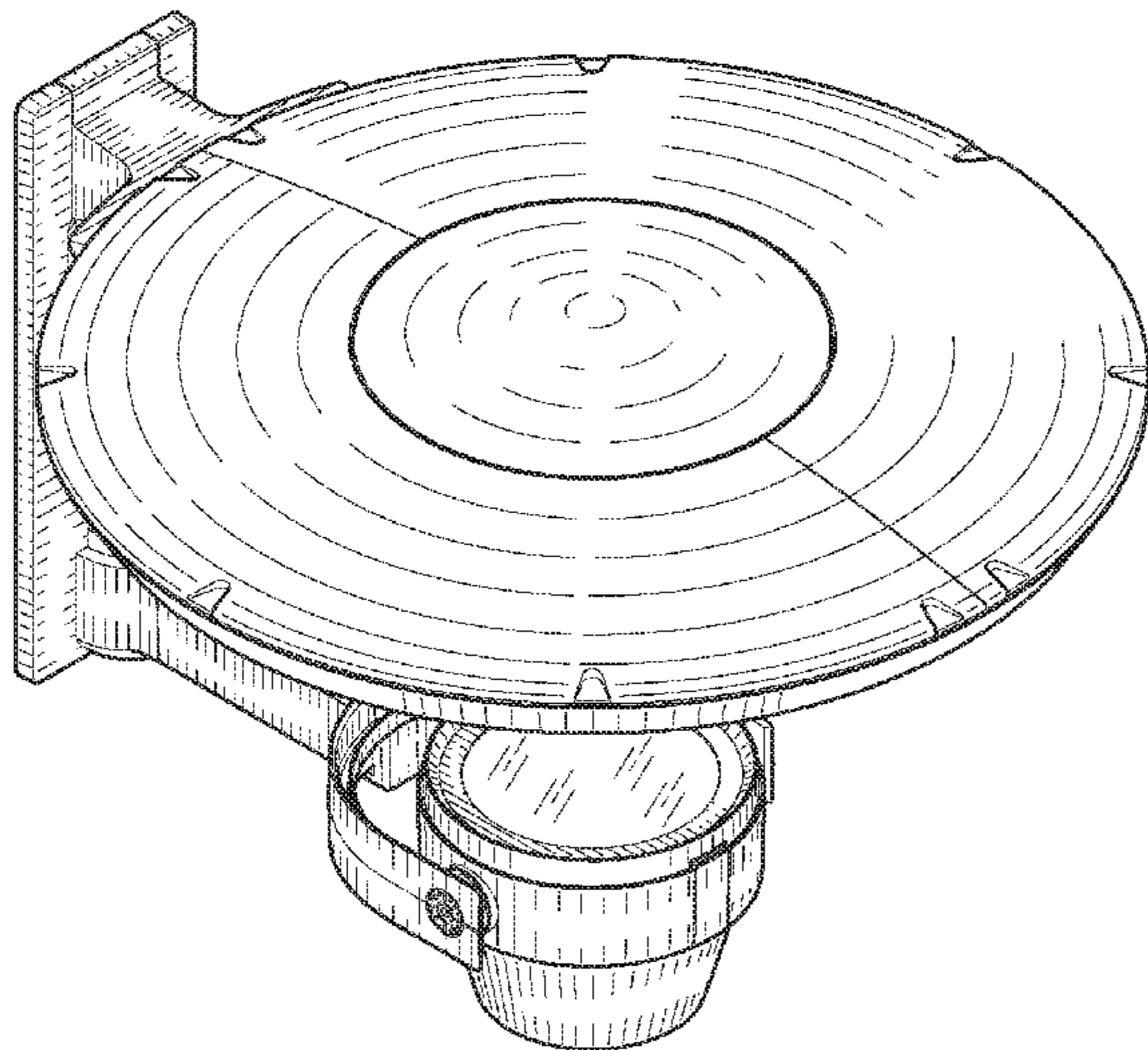
FIG. 4 is a right side elevational view thereof;

FIG. 5 is a left side elevational view thereof;

FIG. 6 is a top plan view thereof; and,

FIG. 7 is a bottom plan view thereof.

1 Claim, 5 Drawing Sheets



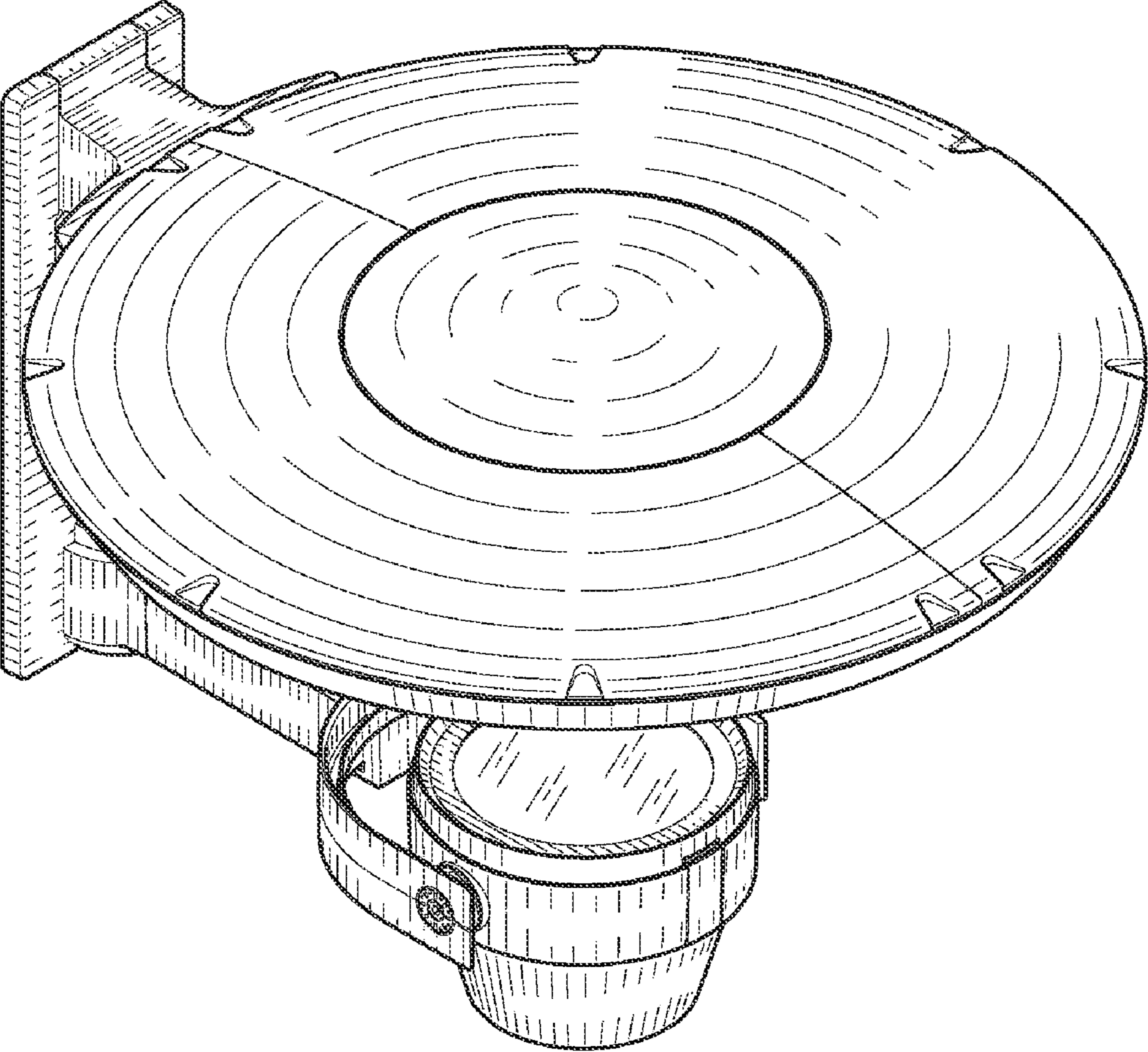


FIG. 1

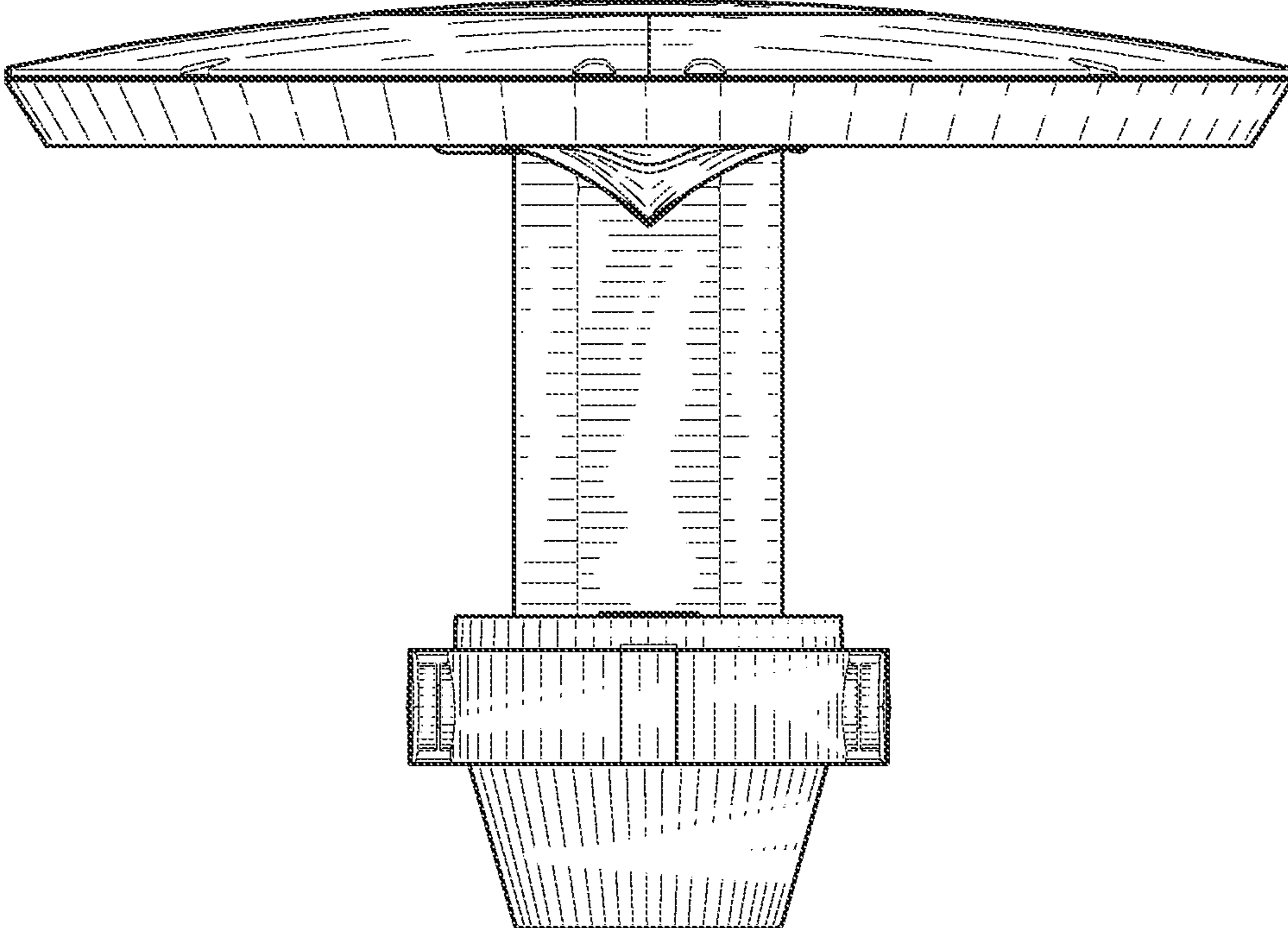


FIG. 2

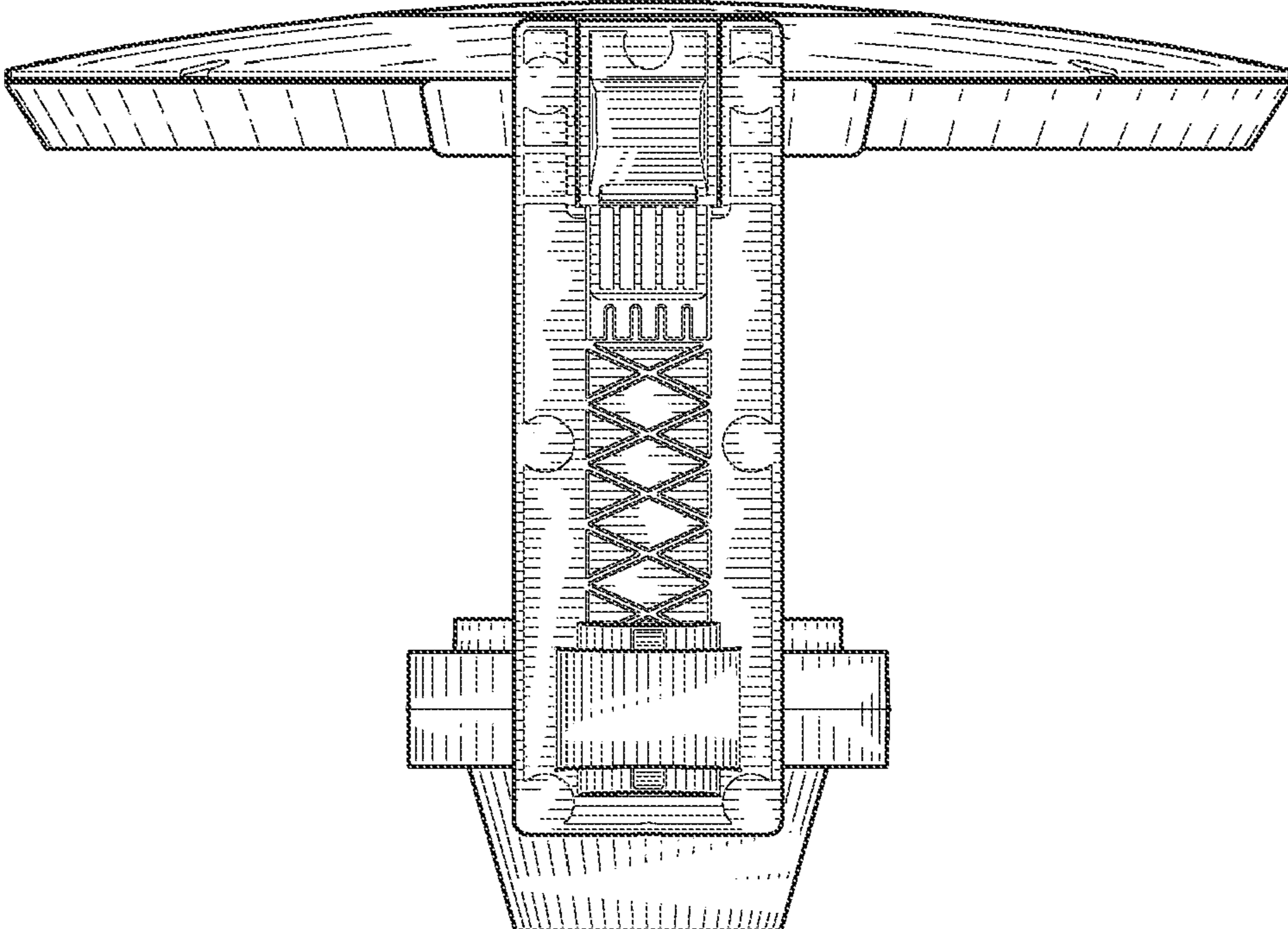


FIG. 3

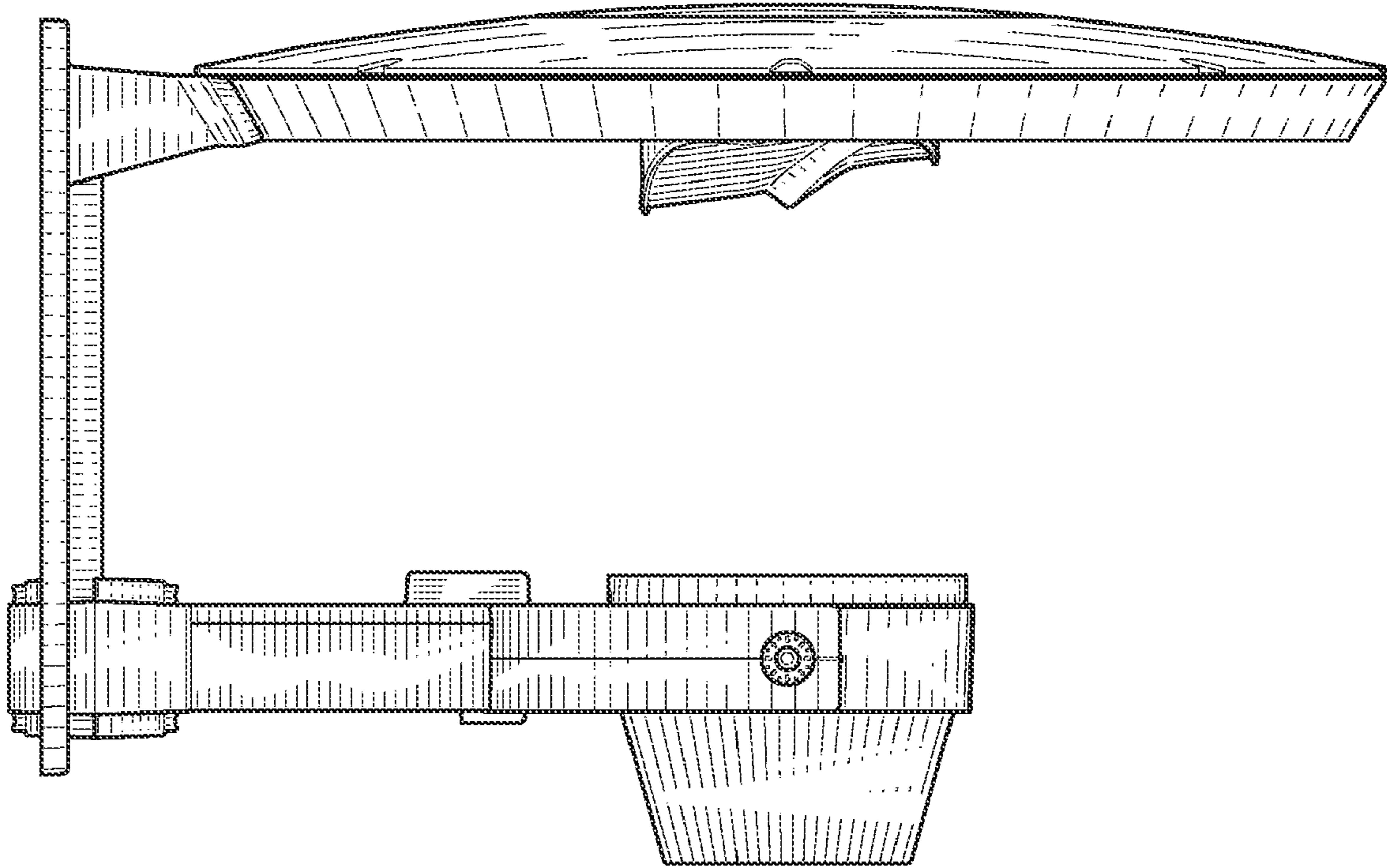


FIG. 4

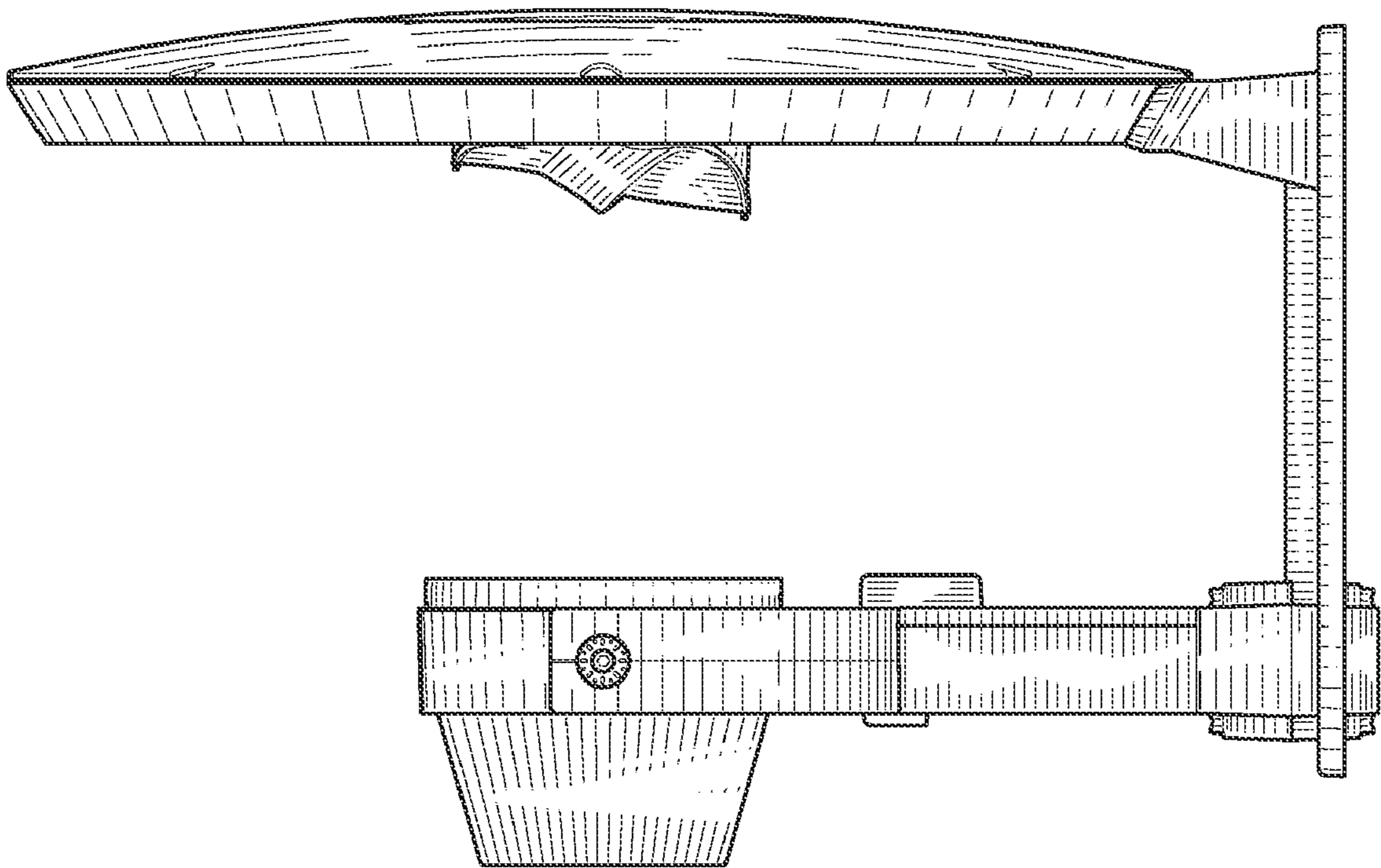


FIG. 5

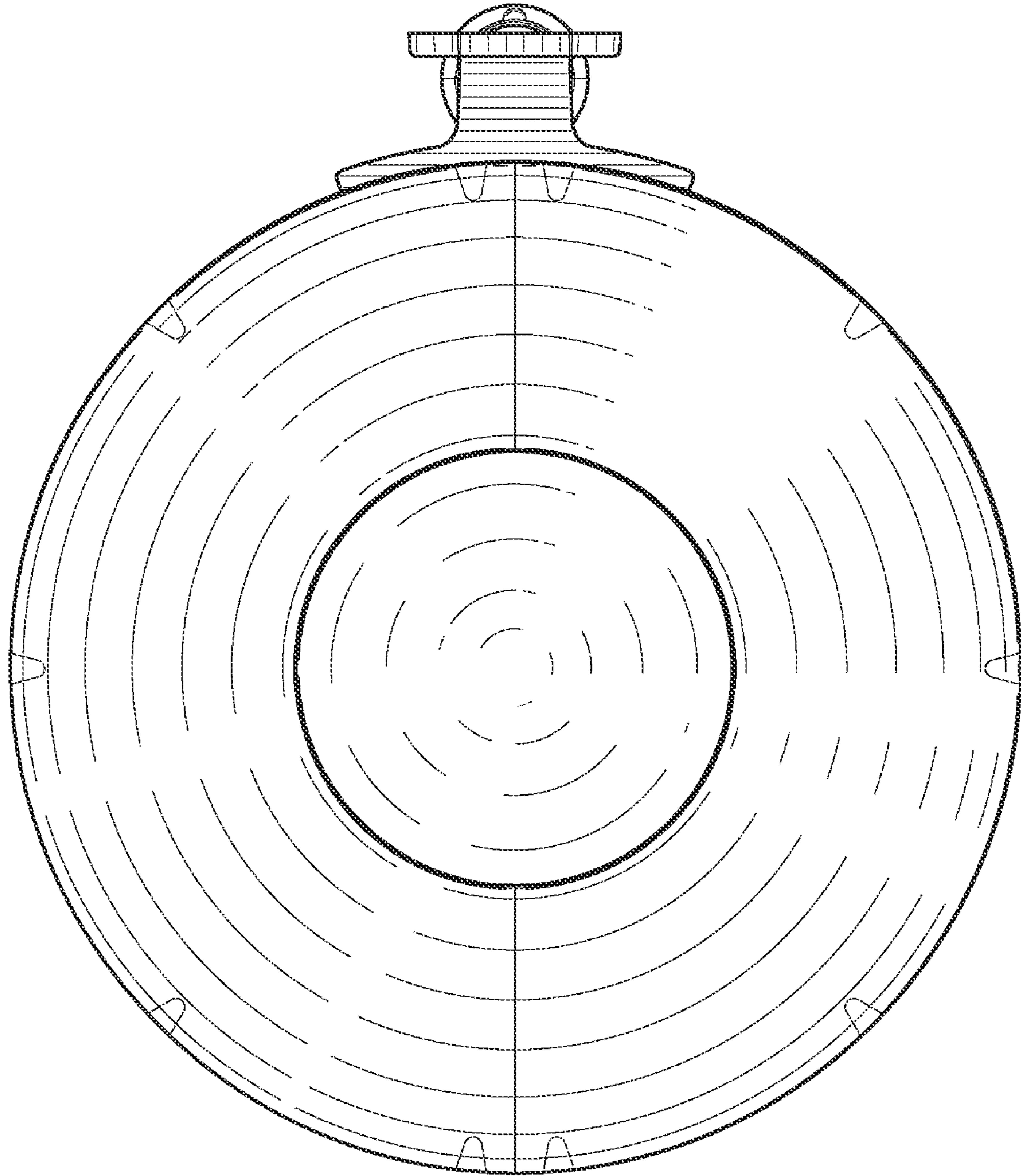


FIG. 6

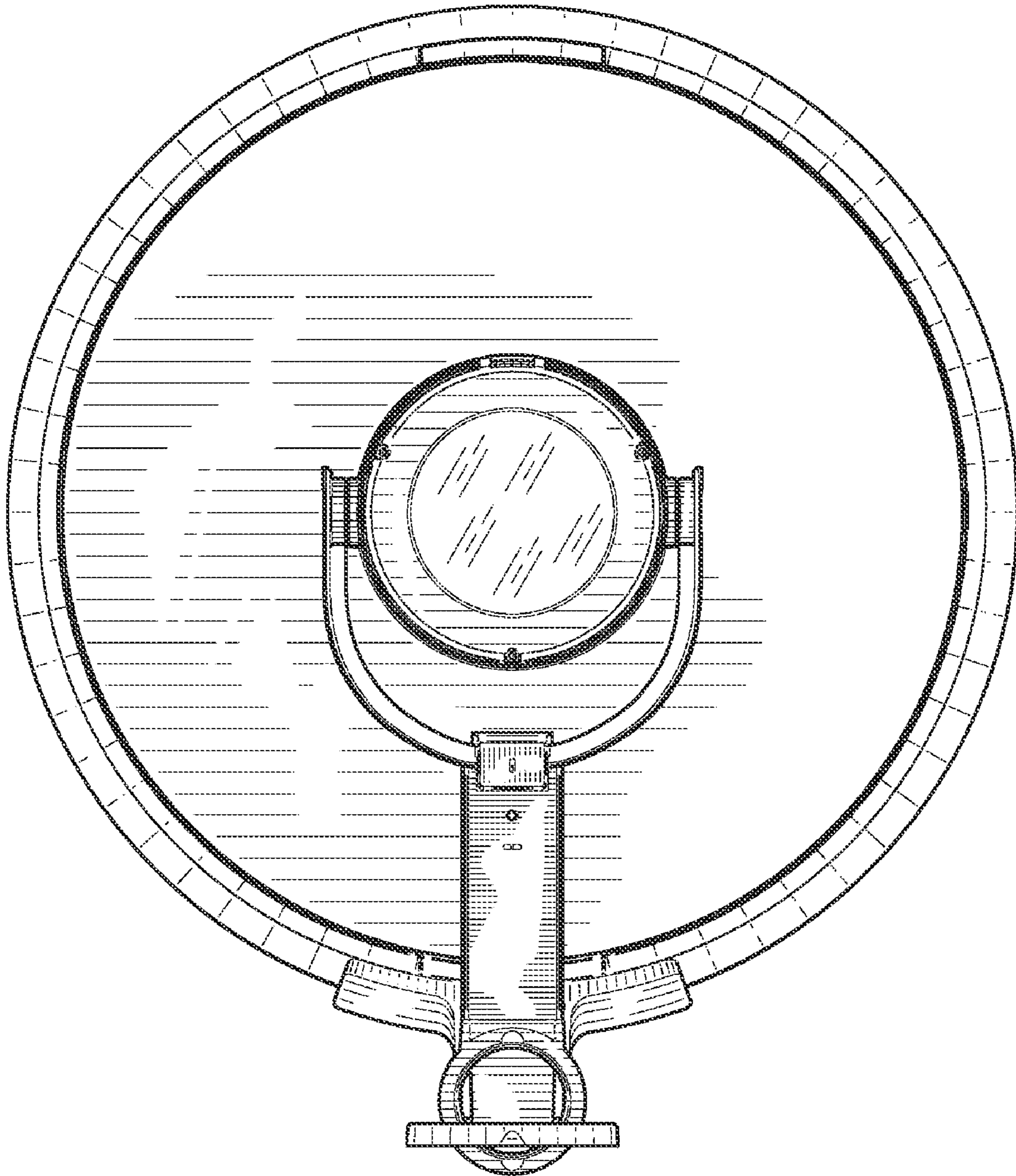


FIG. 7