



US00D614794S

(12) **United States Design Patent**
Sabernig

(10) **Patent No.:** **US D614,794 S**
(45) **Date of Patent:** **** Apr. 27, 2010**

(54) **LIGHT FIXTURE**

D591,897 S * 5/2009 Fuchs D26/152
D592,789 S * 5/2009 Sabernig D26/83

(75) Inventor: **Robert Sabernig**, Munster (AT)

* cited by examiner

(73) Assignee: **EGLO Leuchten GmbH**, Innsbruck (AT)

Primary Examiner—Clare E Heflin
(74) *Attorney, Agent, or Firm*—Baker & McKenzie LLP

(**) Term: **14 Years**

(57) **CLAIM**

(21) Appl. No.: **29/334,879**

The ornamental design for a light fixture, as shown and described.

(22) Filed: **Apr. 3, 2009**

(51) **LOC (9) Cl.** **26-03**

(52) **U.S. Cl.** **D26/89**

(58) **Field of Classification Search** D26/72,
D26/84, 88, 89, 128, 132–137, 152; 362/147,
362/361, 363, 404, 453

See application file for complete search history.

DESCRIPTION

FIG. 1 is a perspective view of a light fixture in accordance with my design;

FIG. 2 is a bottom plan view of the light fixture in accordance with my design;

FIG. 3 is a front elevation view of the light fixture in accordance with my design, the opposite side being a mirror image of that shown; and,

FIG. 4 is a side elevation view of the light fixture in accordance with my design, the opposite side being a mirror image of that shown.

The top surface of the light fixture is not shown and therefore forms no part of the claimed design.

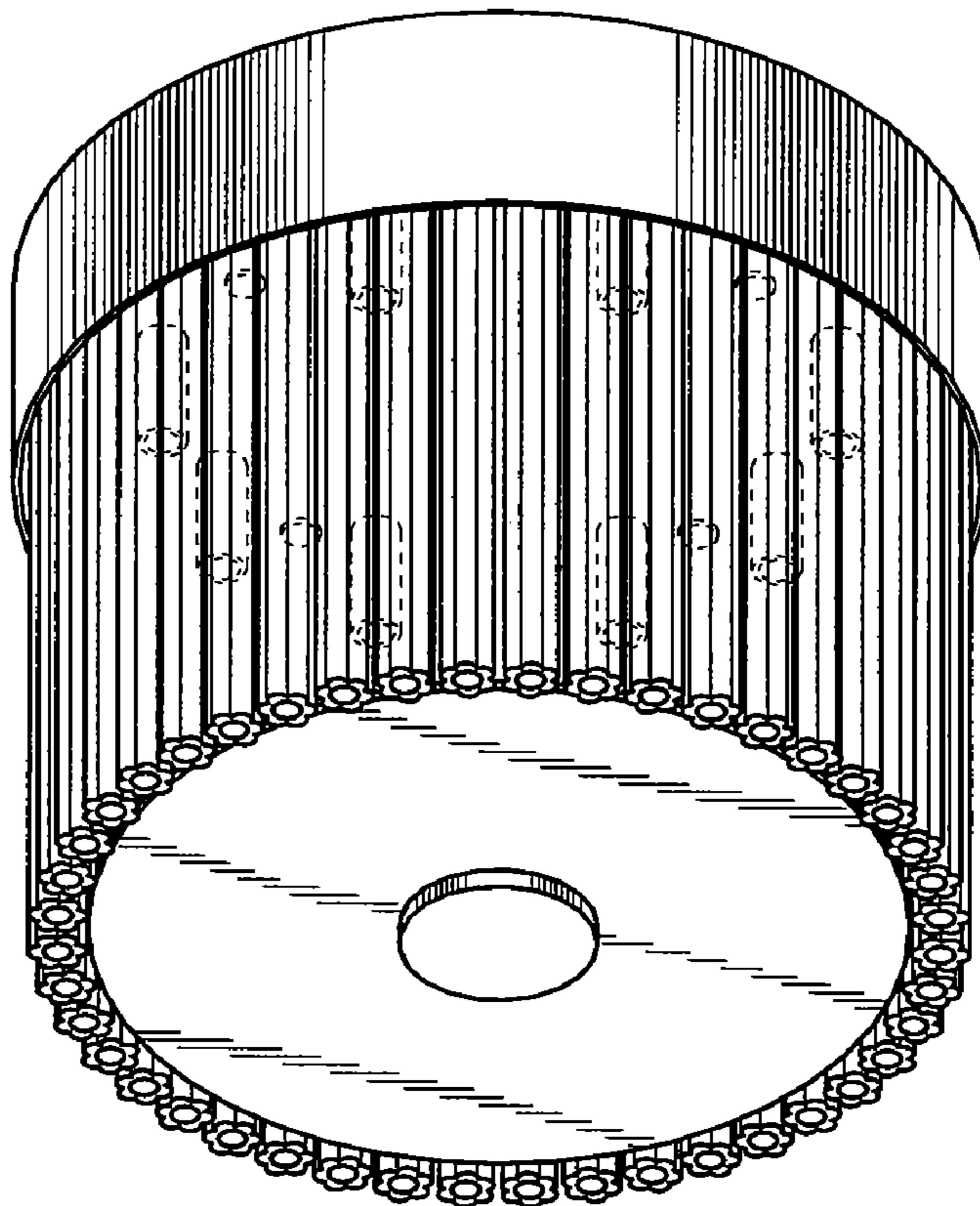
The broken-line disclosure of elements are understood to represent portions of the article in which the design is embodied, but which form no part of the claimed design.

(56) **References Cited**

U.S. PATENT DOCUMENTS

| | | | | |
|---------------|---------|-------------------|-------|---------|
| D40,387 S * | 12/1909 | Noe | | D26/137 |
| D81,392 S * | 6/1930 | Kopp | | D26/134 |
| D214,080 S * | 5/1969 | Mori | | D26/134 |
| 3,701,897 A * | 10/1972 | Pennington et al. | | 362/278 |
| D240,156 S * | 6/1976 | von Serda | | D26/128 |
| D265,512 S * | 7/1982 | Thurston | | D26/85 |
| D265,513 S * | 7/1982 | Thurston | | D26/85 |
| D307,329 S * | 4/1990 | Segill et al. | | D26/91 |
| D567,434 S * | 4/2008 | Itiravivong | | D26/142 |
| D574,545 S * | 8/2008 | Baldele | | D26/88 |

1 Claim, 1 Drawing Sheet



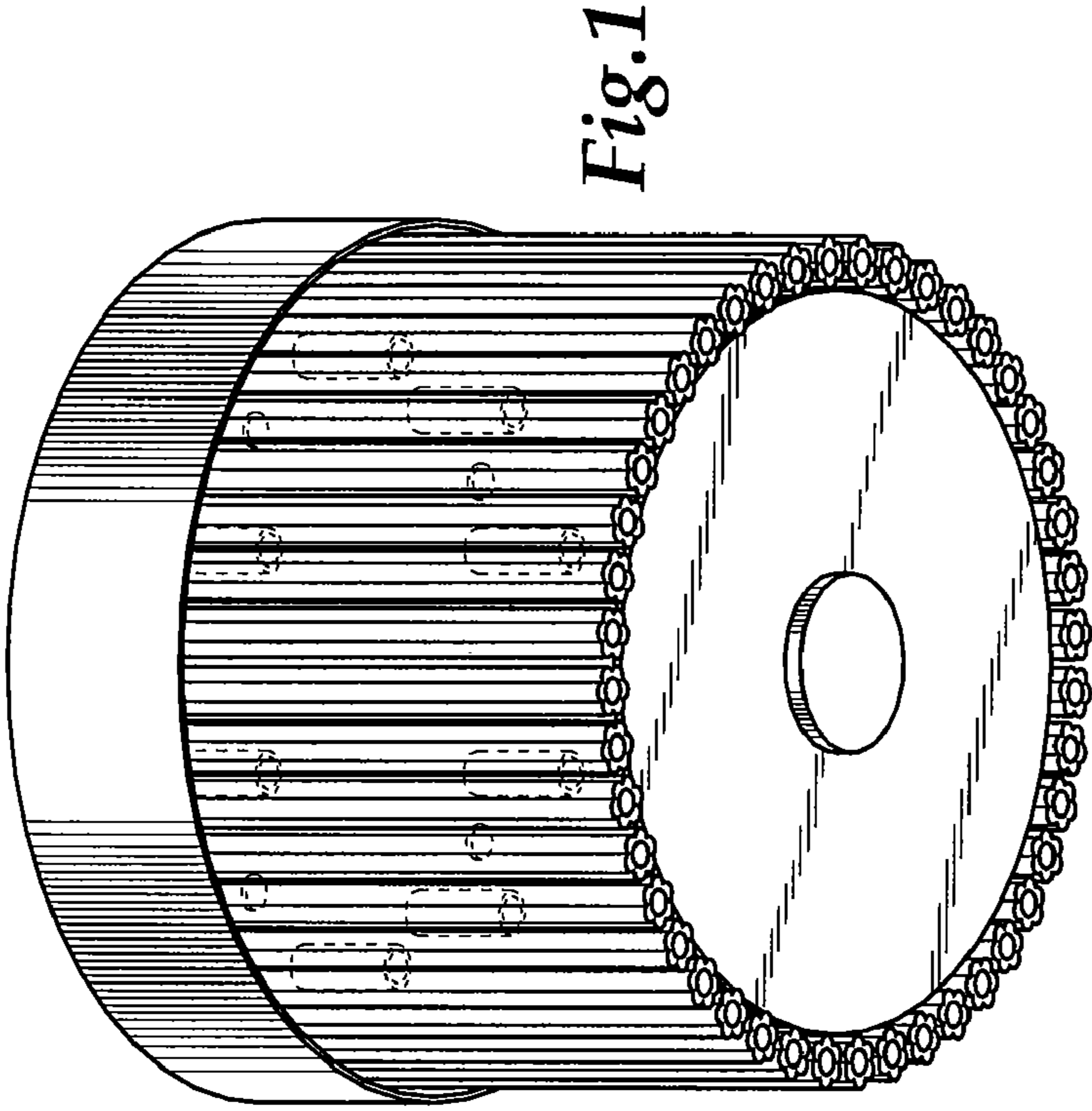


Fig. 1

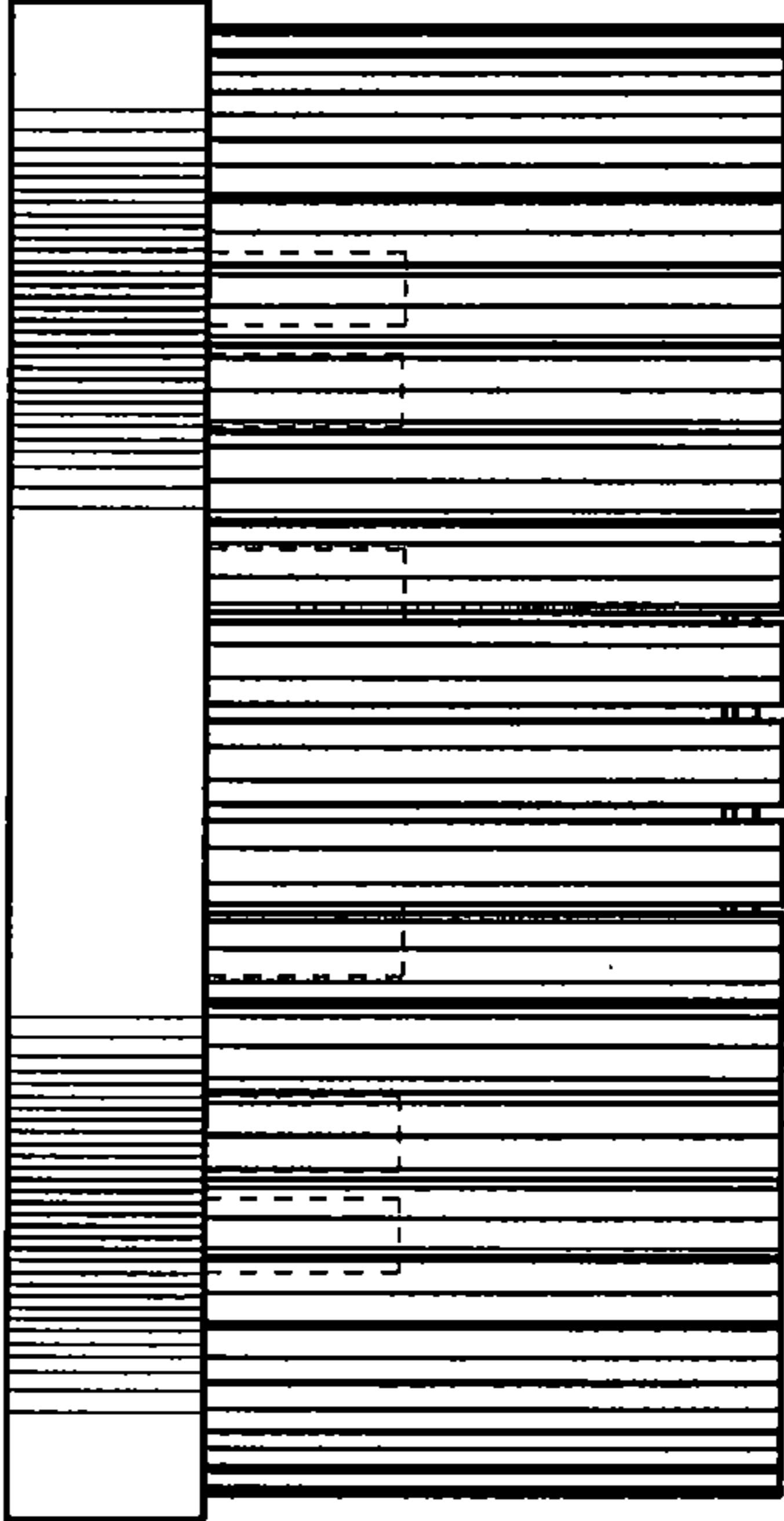


Fig. 4

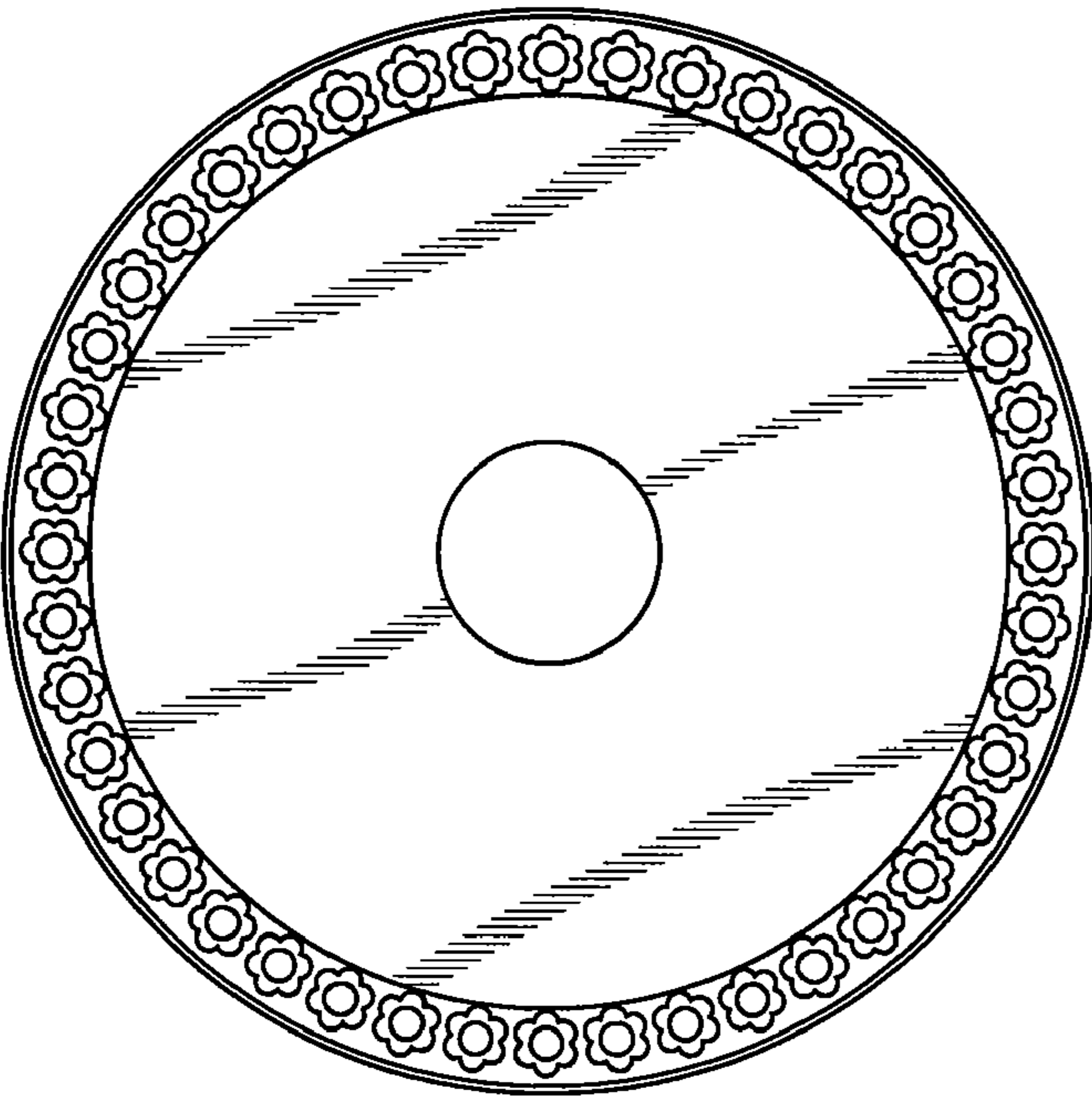


Fig. 2

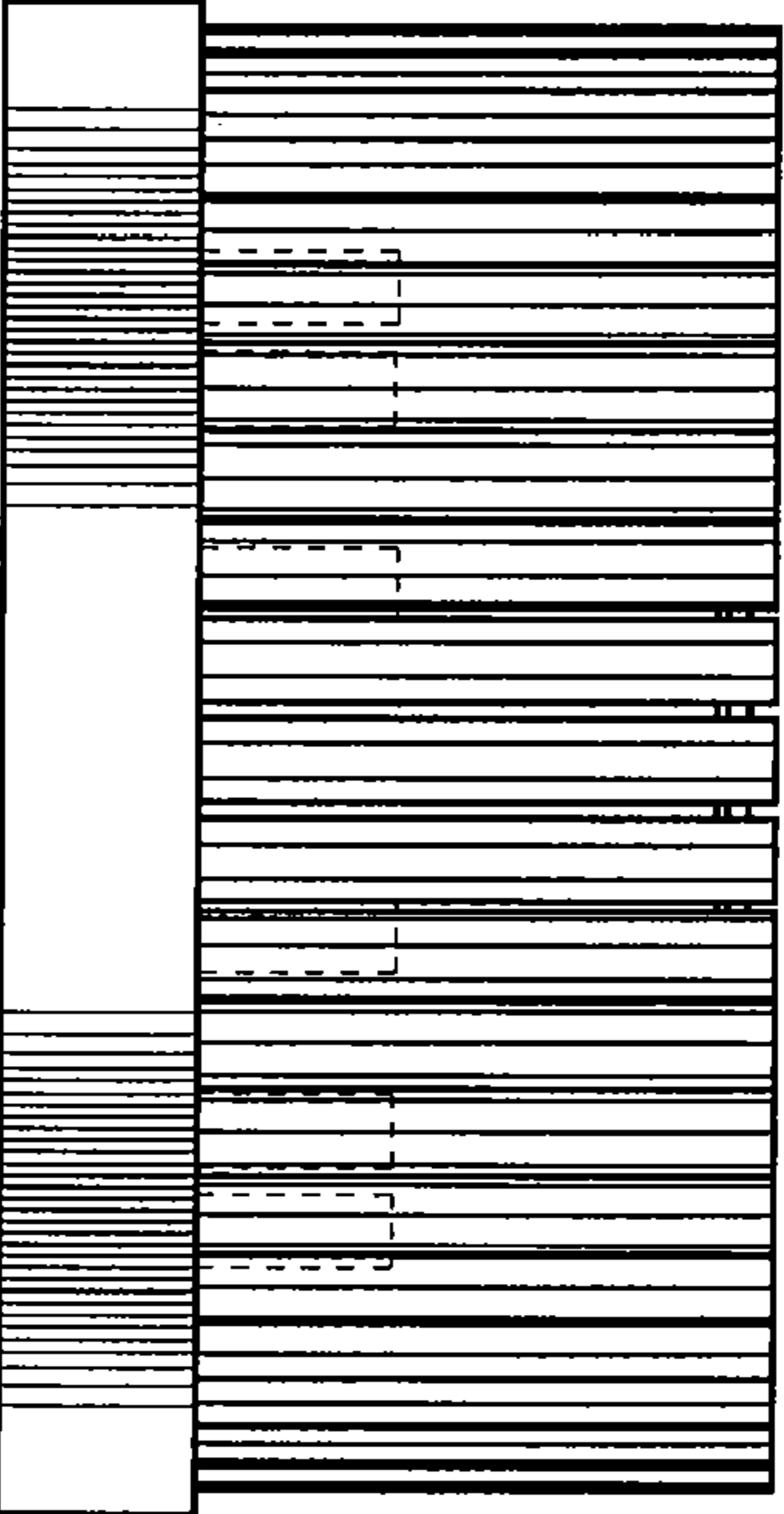


Fig. 3