



US00D614793S

(12) **United States Design Patent**
Chan

(10) **Patent No.:** **US D614,793 S**
(45) **Date of Patent:** **** Apr. 27, 2010**

(54) **UNDER CABINET LIGHT**

D603,550 S * 11/2009 Levine D26/80

(75) Inventor: **Wai Hong Chan**, New Territories (HK)

* cited by examiner

(73) Assignee: **Sunrich Manufactory Ltd.**, Tuen Mun, N.T. (HK)

Primary Examiner—Clare E Heflin

(74) *Attorney, Agent, or Firm*—Lackenbach Siegel, LLP; Andrew F. Young

(**) Term: **14 Years**

(21) Appl. No.: **29/318,154**

(57) **CLAIM**

(22) Filed: **May 14, 2008**

The ornamental design for the under cabinet light, as shown and described.

(51) **LOC (9) Cl.** **26-03**

(52) **U.S. Cl.** **D26/80; D26/63**

(58) **Field of Classification Search** D26/72,
D26/80, 89; 362/133, 249.03, 294, 183,
362/147

See application file for complete search history.

DESCRIPTION

(56) **References Cited**

U.S. PATENT DOCUMENTS

4,178,626	A *	12/1979	Marcus	362/133
D285,357	S *	8/1986	Pritchett	D26/61
6,129,441	A *	10/2000	Wu et al.	362/127
6,390,652	B1 *	5/2002	Echito	362/374
D464,162	S *	10/2002	Segretto	D26/85
6,565,234	B1 *	5/2003	Skegin et al.	362/294
7,207,696	B1 *	4/2007	Lin	362/249.03

FIG. 1 is a top perspective view of an under cabinet light.

FIG. 2 is a front elevation view of FIG. 1.

FIG. 3 is a rear elevation view of FIG. 1.

FIG. 4 is a right side elevation view of FIG. 1.

FIG. 5 is a left side elevation view of FIG. 1.

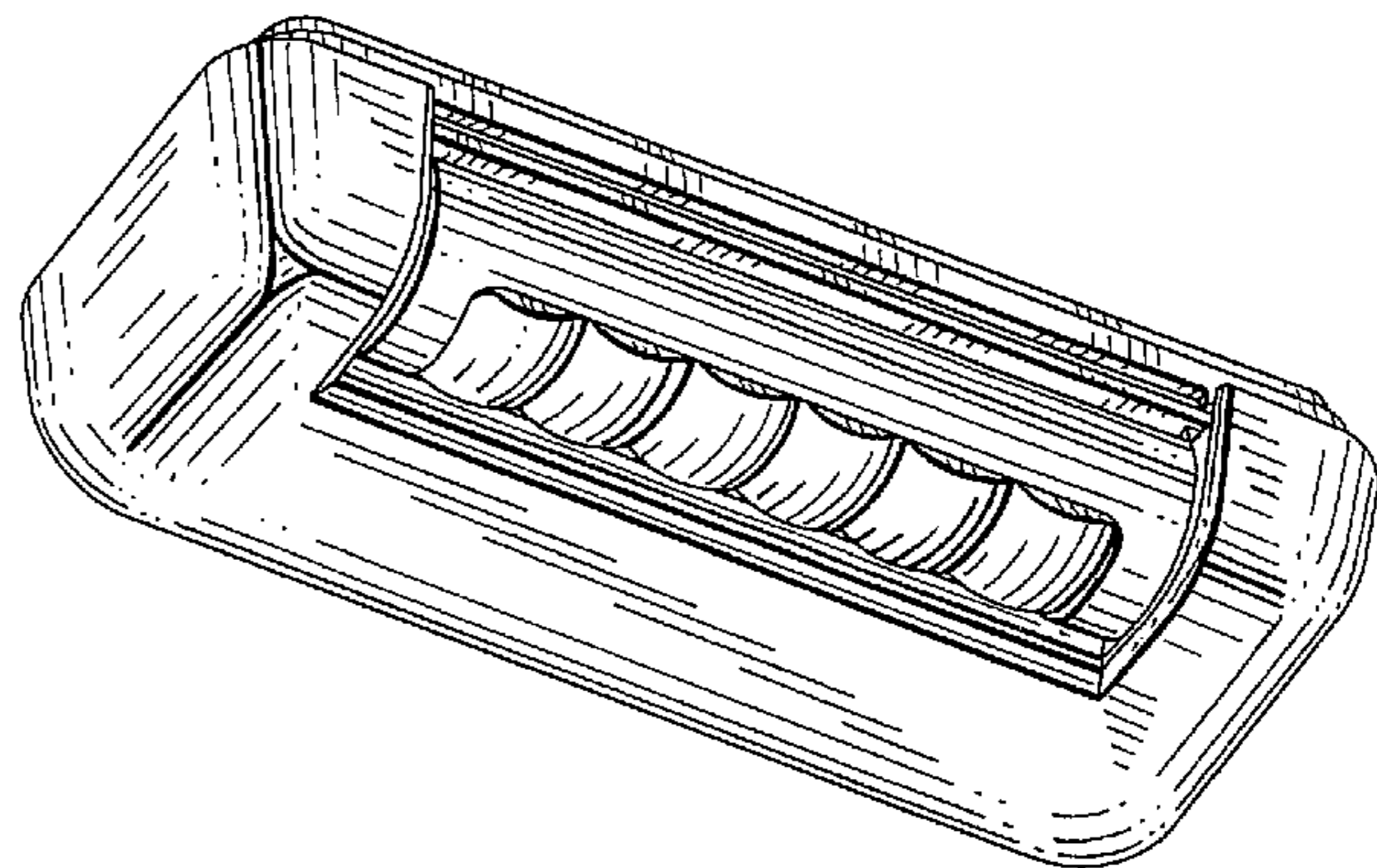
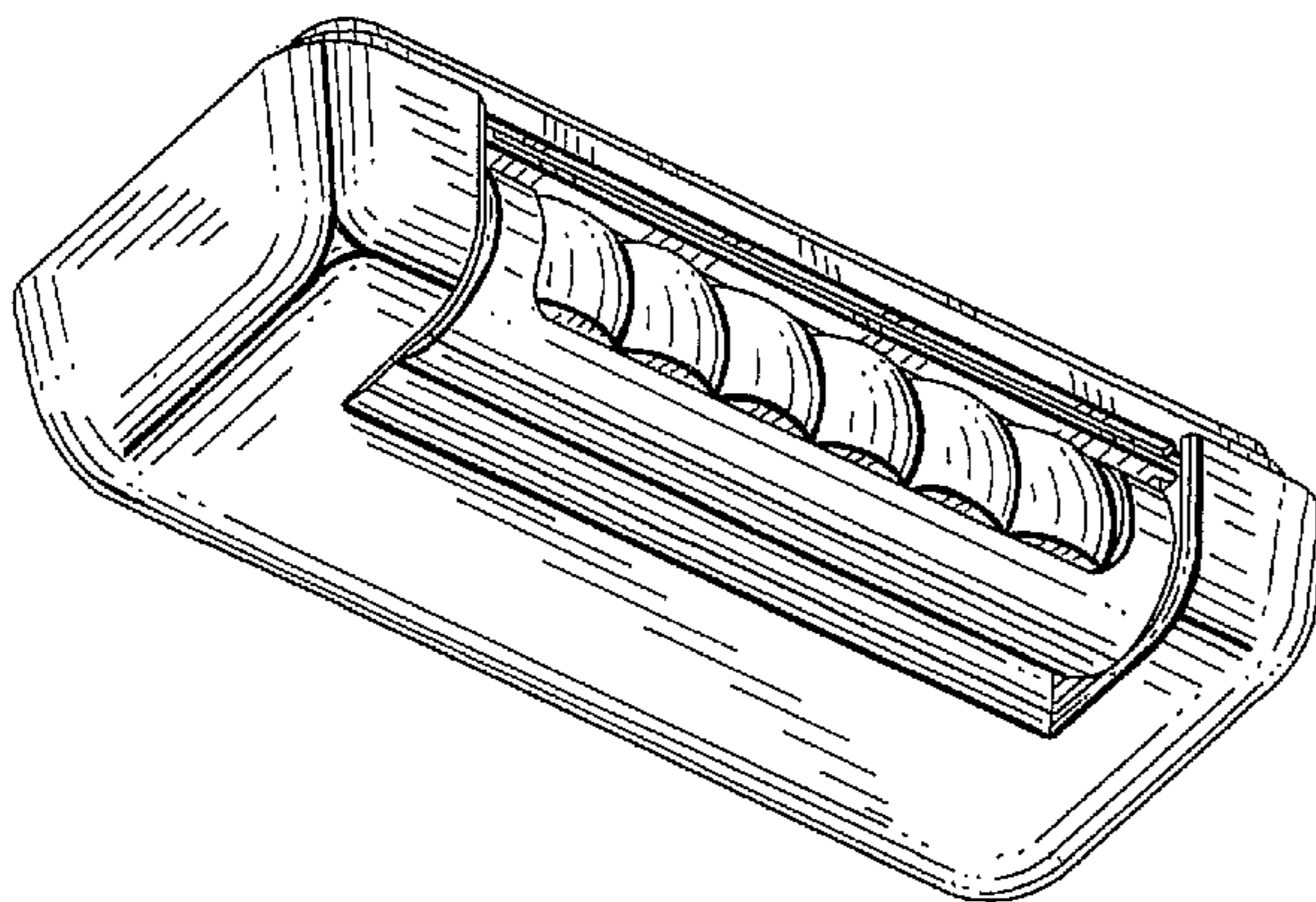
FIG. 6 is a bottom plan view of FIG. 1.

FIG. 7 is a top plan view of FIG. 1.

FIG. 8 is a bottom perspective view of FIG. 1; and,

FIG. 9 is a second bottom perspective view of FIG. 1 showing the light portion in a rotated position.

1 Claim, 4 Drawing Sheets



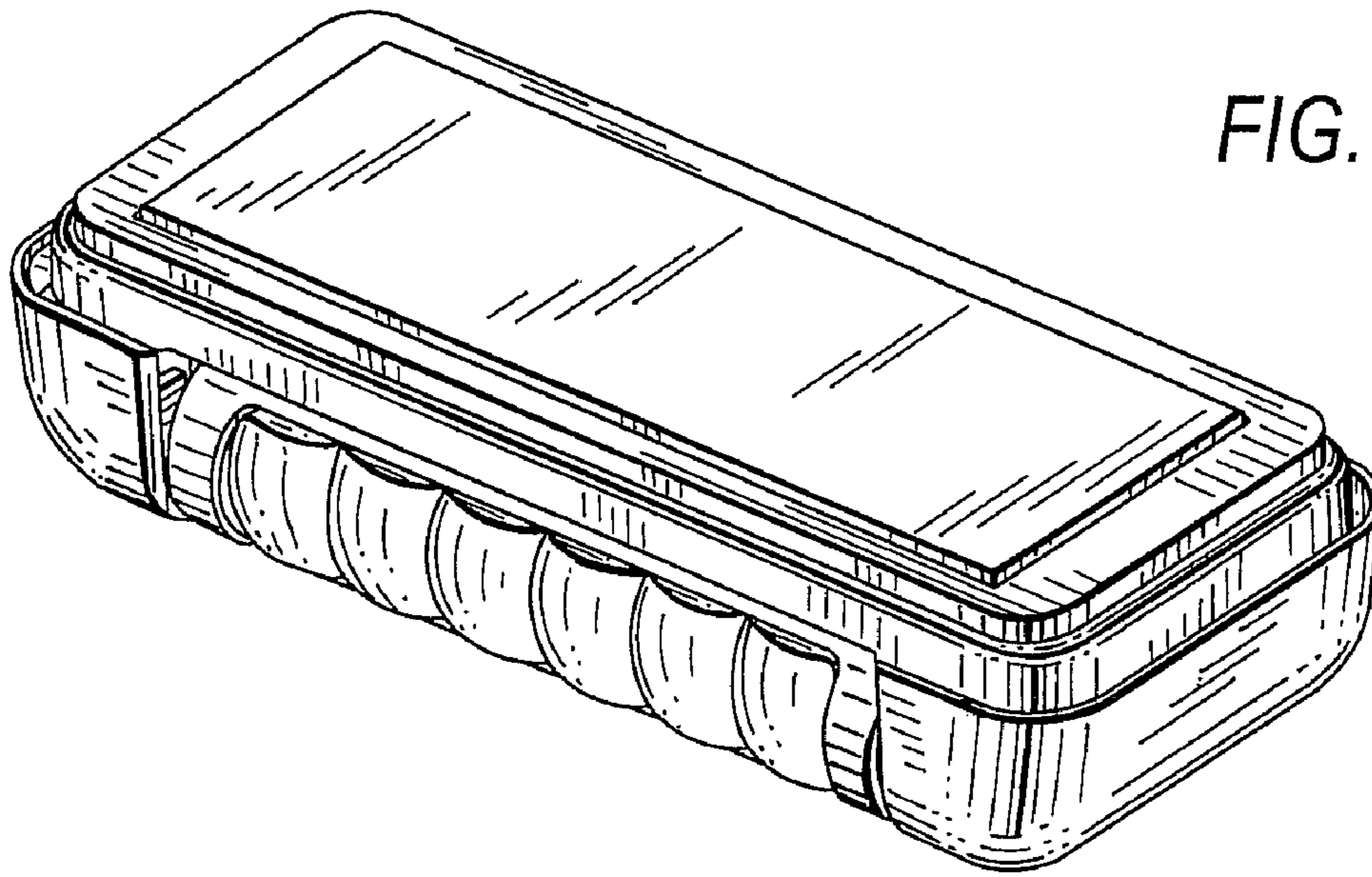


FIG. 1

FIG. 2

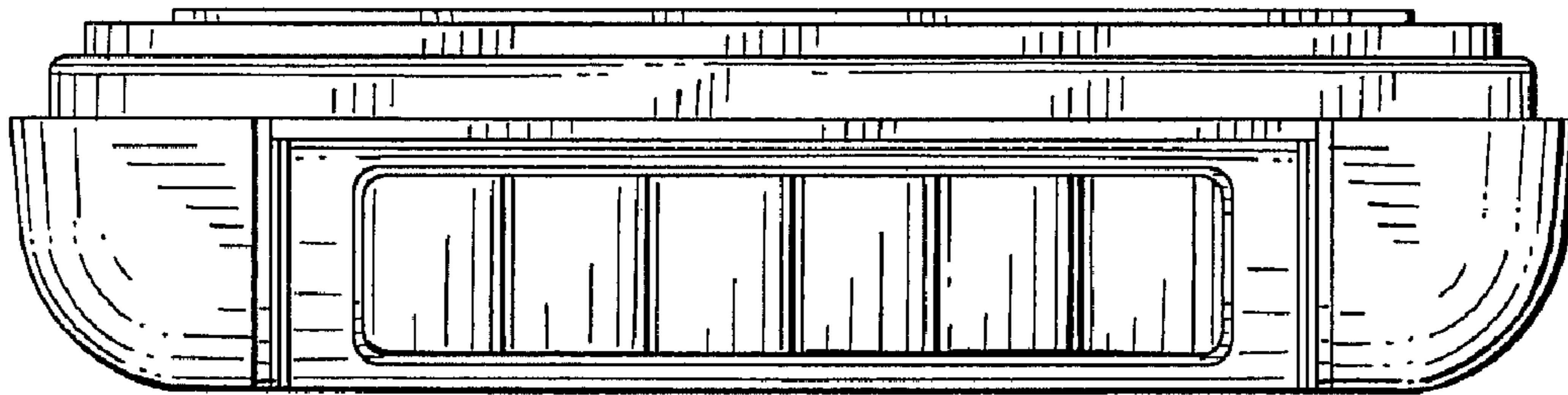


FIG. 4

FIG. 3

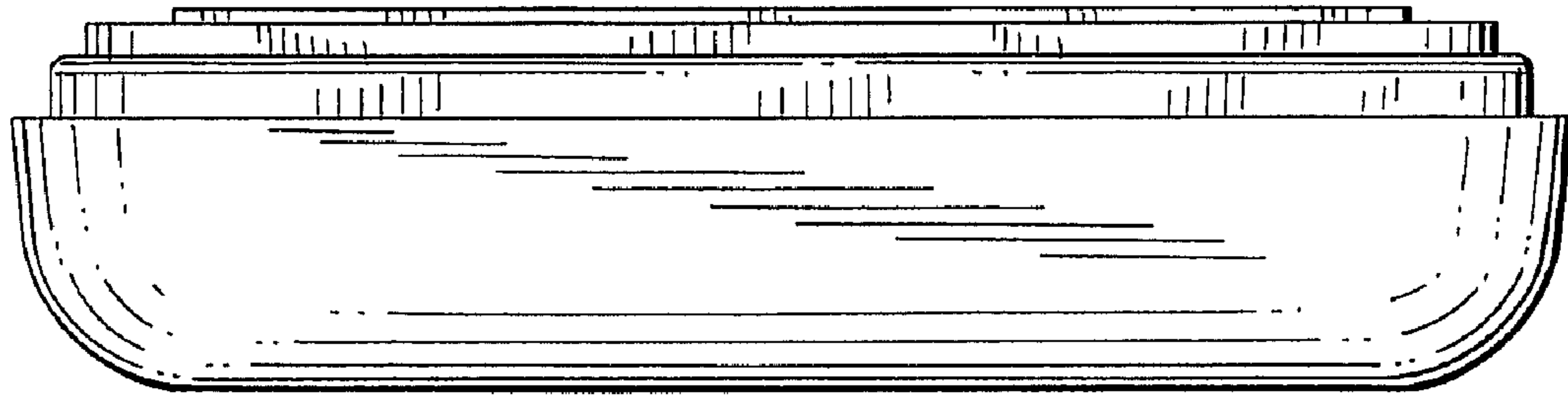


FIG. 5

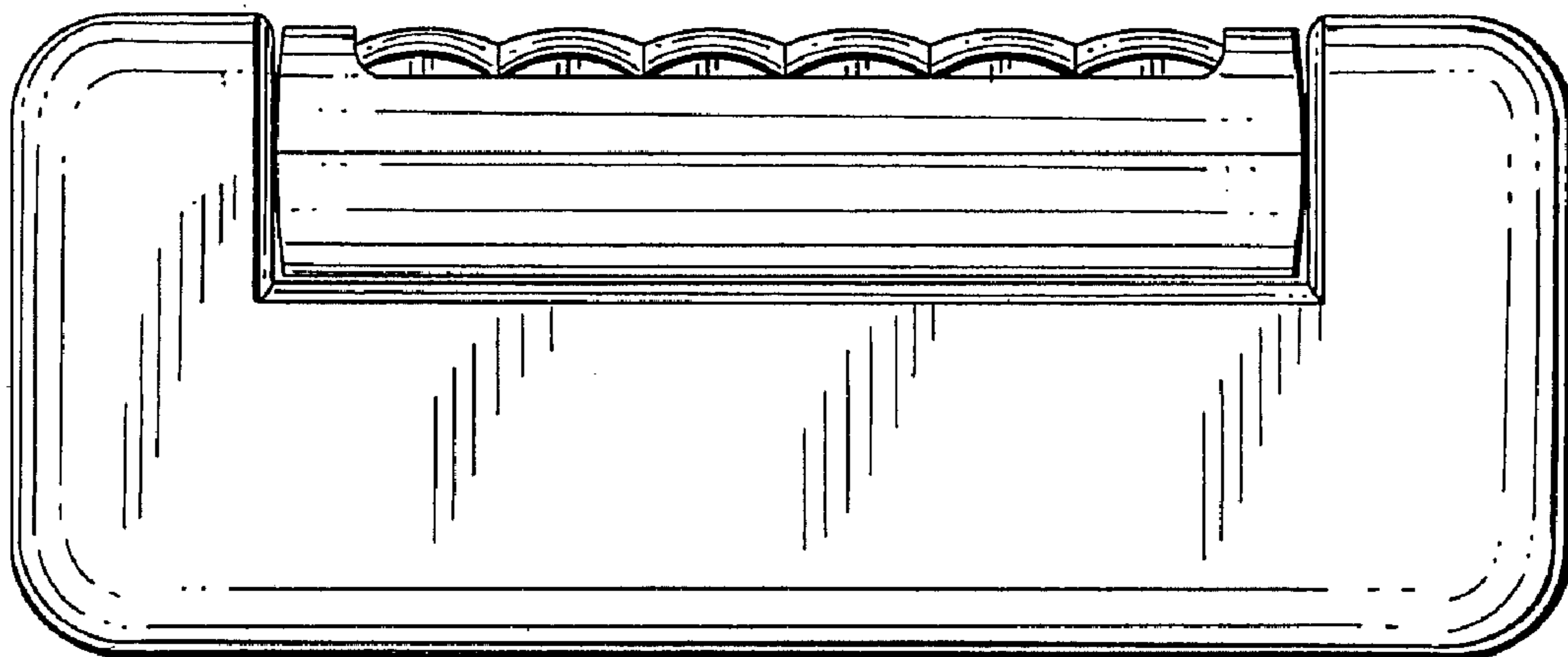


FIG. 6

FIG. 7

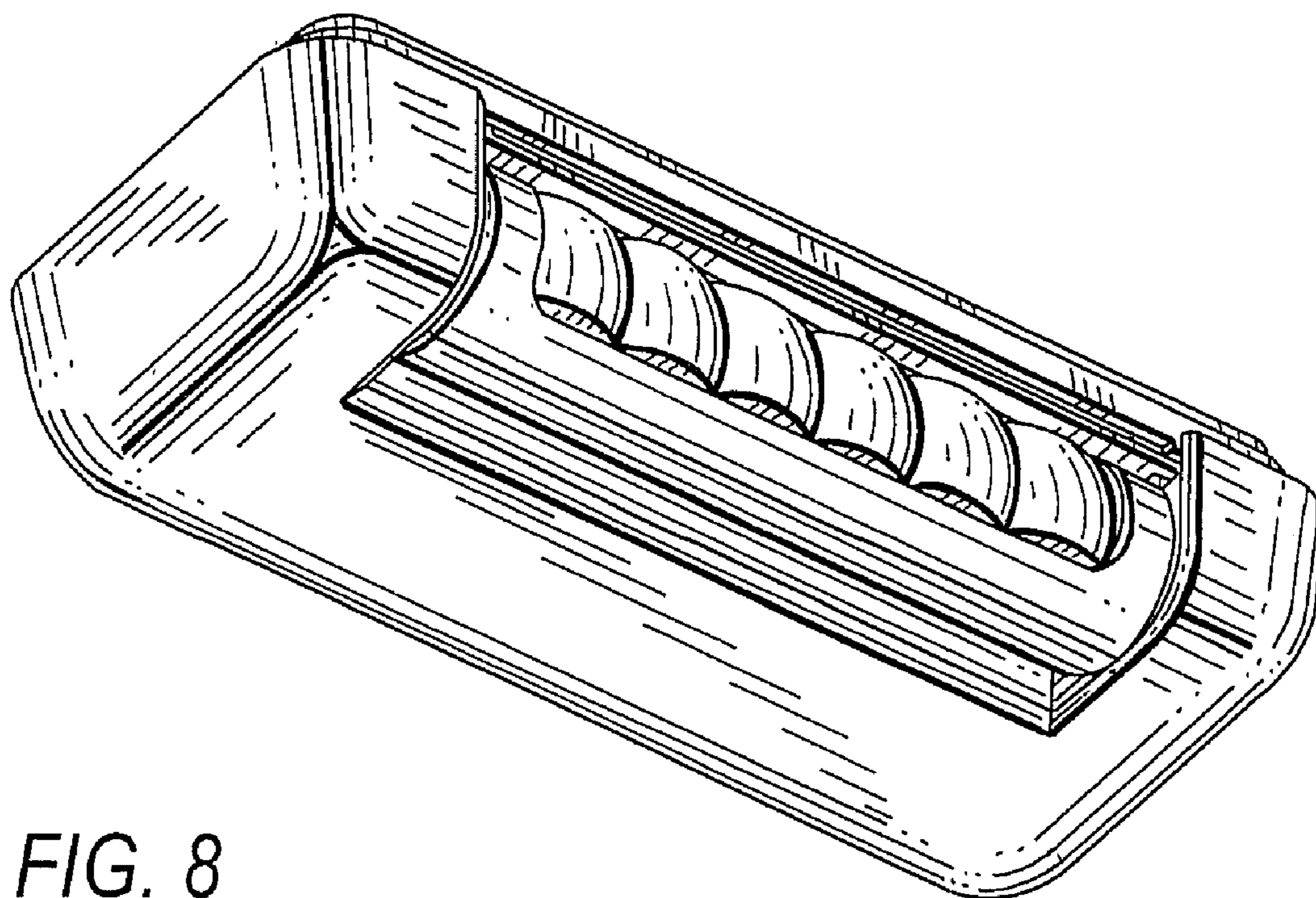
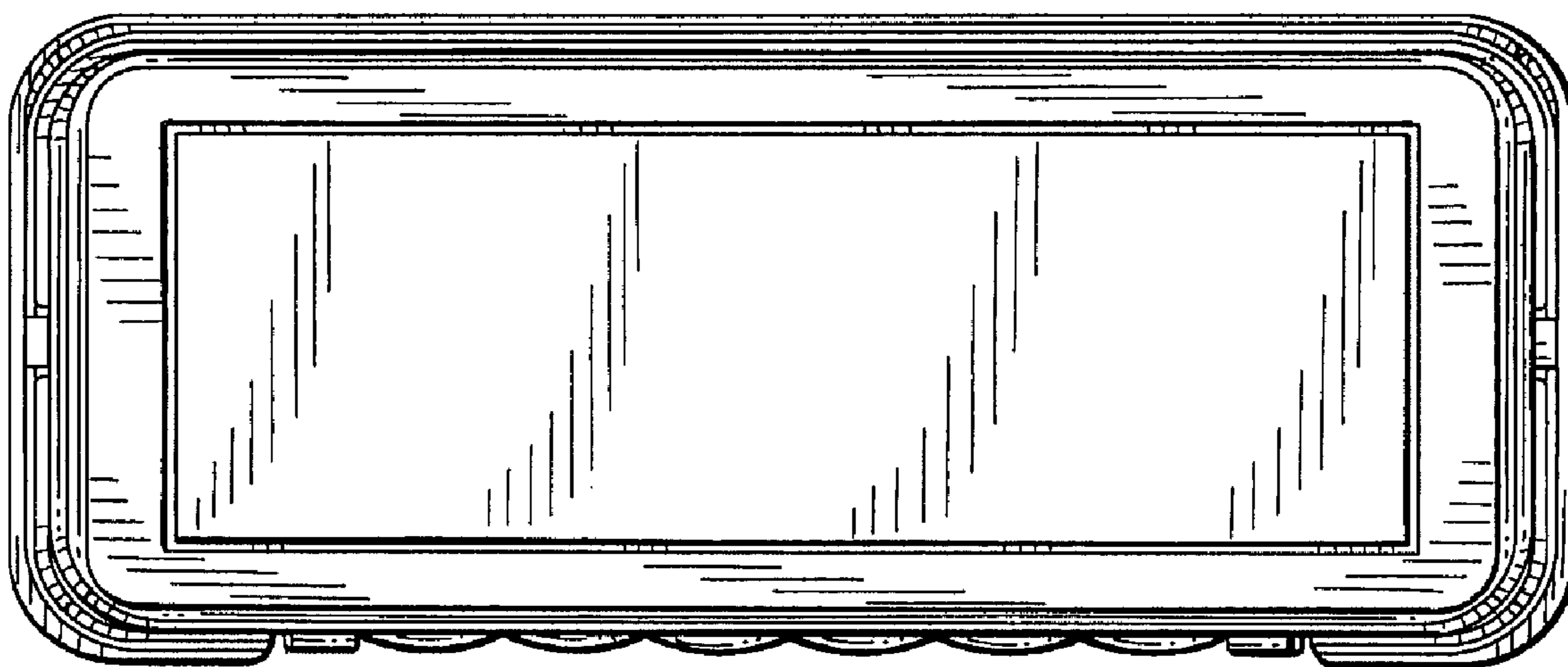


FIG. 8

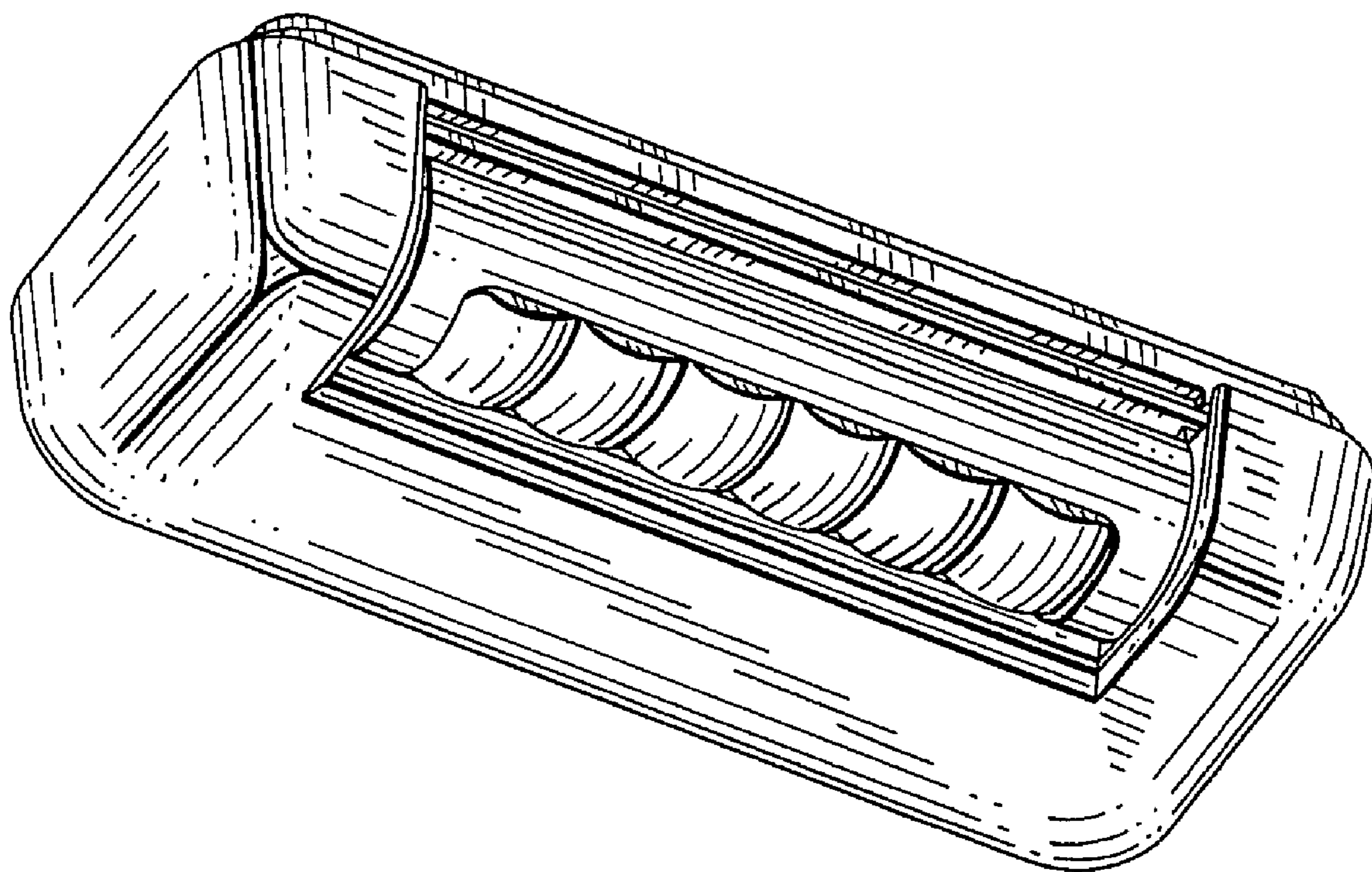


FIG. 9