



US00D614792S

(12) **United States Design Patent**
Fabbri et al.

(10) **Patent No.:** **US D614,792 S**
(45) **Date of Patent:** **** Apr. 27, 2010**

(54) **LUMINAIRE**

(75) Inventors: **William C. Fabbri**, Bamstead, NH (US);
Roy B. Crane, Wilmington, MA (US)

(73) Assignee: **Koninklijke Philips Electronics N.V.**,
Eindhoven (NL)

(**) Term: **14 Years**

(21) Appl. No.: **29/340,819**

(22) Filed: **Jul. 27, 2009**

Related U.S. Application Data

(63) Continuation of application No. 29/327,453, filed on
Nov. 6, 2008, now Pat. No. Des. 597,241.

(51) **LOC (9) Cl.** **26-05**

(52) **U.S. Cl.** **D26/74; D26/120**

(58) **Field of Classification Search** D26/24-28,
D26/37, 63, 67-68, 72, 74-78, 80, 85, 87-89,
D26/104, 108, 118, 120-122; 362/17, 132-133,
362/145, 147-150, 155-157, 217-225, 228,
362/231, 260, 262-264, 267, 295, 294, 310,
362/345, 362, 364, 249, 365, 368, 431, 432,
362/440, 800; D10/111, 114; 40/565; 404/7
See application file for complete search history.

(56) **References Cited**

U.S. PATENT DOCUMENTS

D123,887 S * 12/1940 Koehler D26/24
D195,012 S * 4/1963 Hoyle D23/388

D203,692 S * 2/1966 Roovaart D26/71
D284,110 S * 6/1986 Mullins D26/76
D292,322 S * 10/1987 Krol D26/75
D344,364 S * 2/1994 Engle D26/72
D351,481 S * 10/1994 Cole, Jr. D26/76
D409,325 S * 5/1999 Holder et al. D26/74
D411,641 S * 6/1999 Ranieri et al. D26/74
6,652,113 B2 * 11/2003 Tant 362/147
D545,991 S * 7/2007 Mayfield et al. D26/118
2006/0198134 A1 * 9/2006 Fowler 362/217

* cited by examiner

Primary Examiner—Philip S Hyder

Assistant Examiner—Susan E Krakower

(74) *Attorney, Agent, or Firm*—John F. Salazar; Middleton
Reutilinger

(57) **CLAIM**

The ornamental design for a luminaire, as shown and
described.

DESCRIPTION

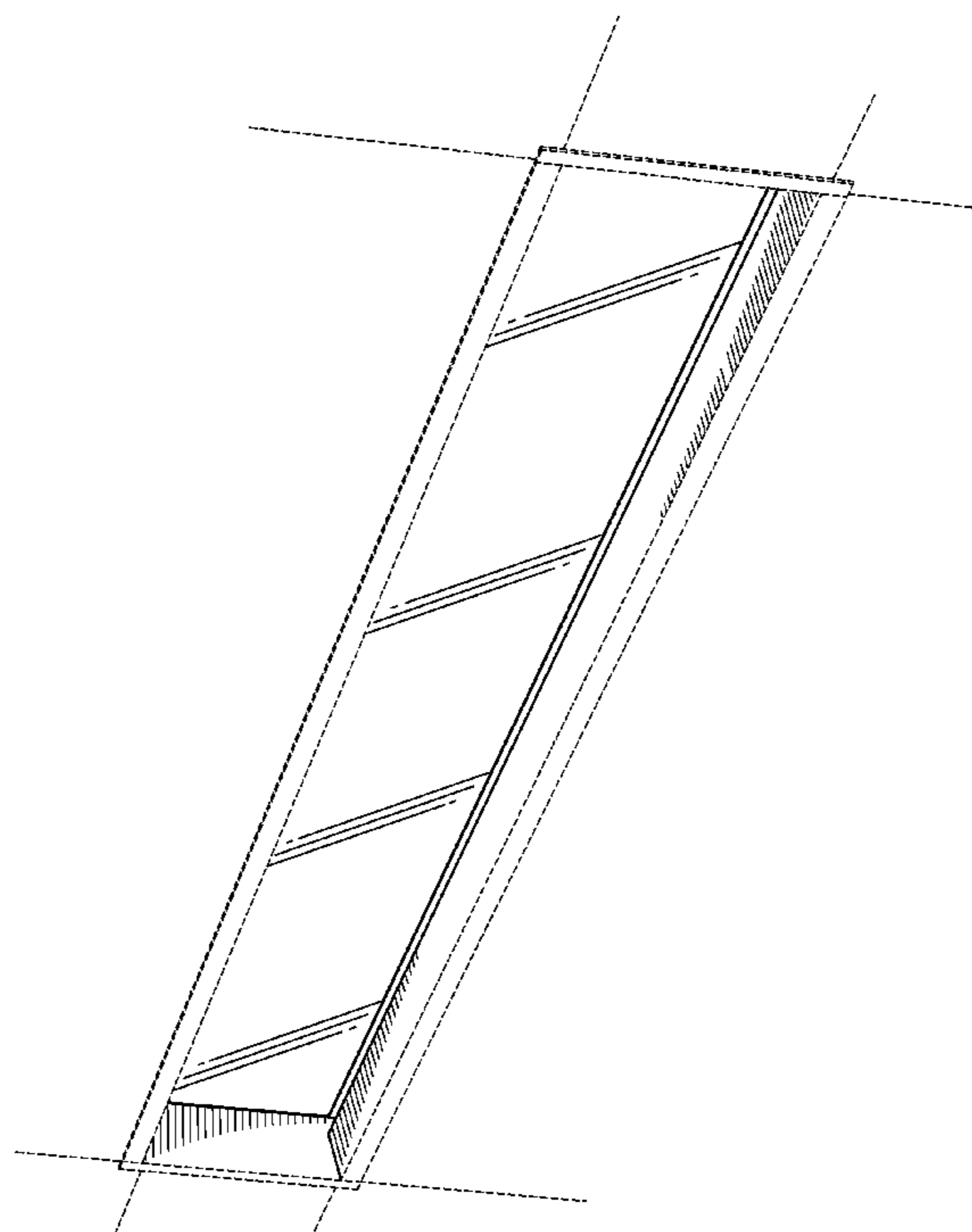
FIG. 1 is a lower perspective view of a luminaire showing the
design of the present invention;

FIG. 2 is a bottom view thereof; and,

FIG. 3 is a side perspective view thereof. The other side view
of the design of the present invention is a mirror image of this
view, and is not included.

The broken lines showing environmental structure are for
illustration purposes only and form no part of the claimed
design.

1 Claim, 3 Drawing Sheets



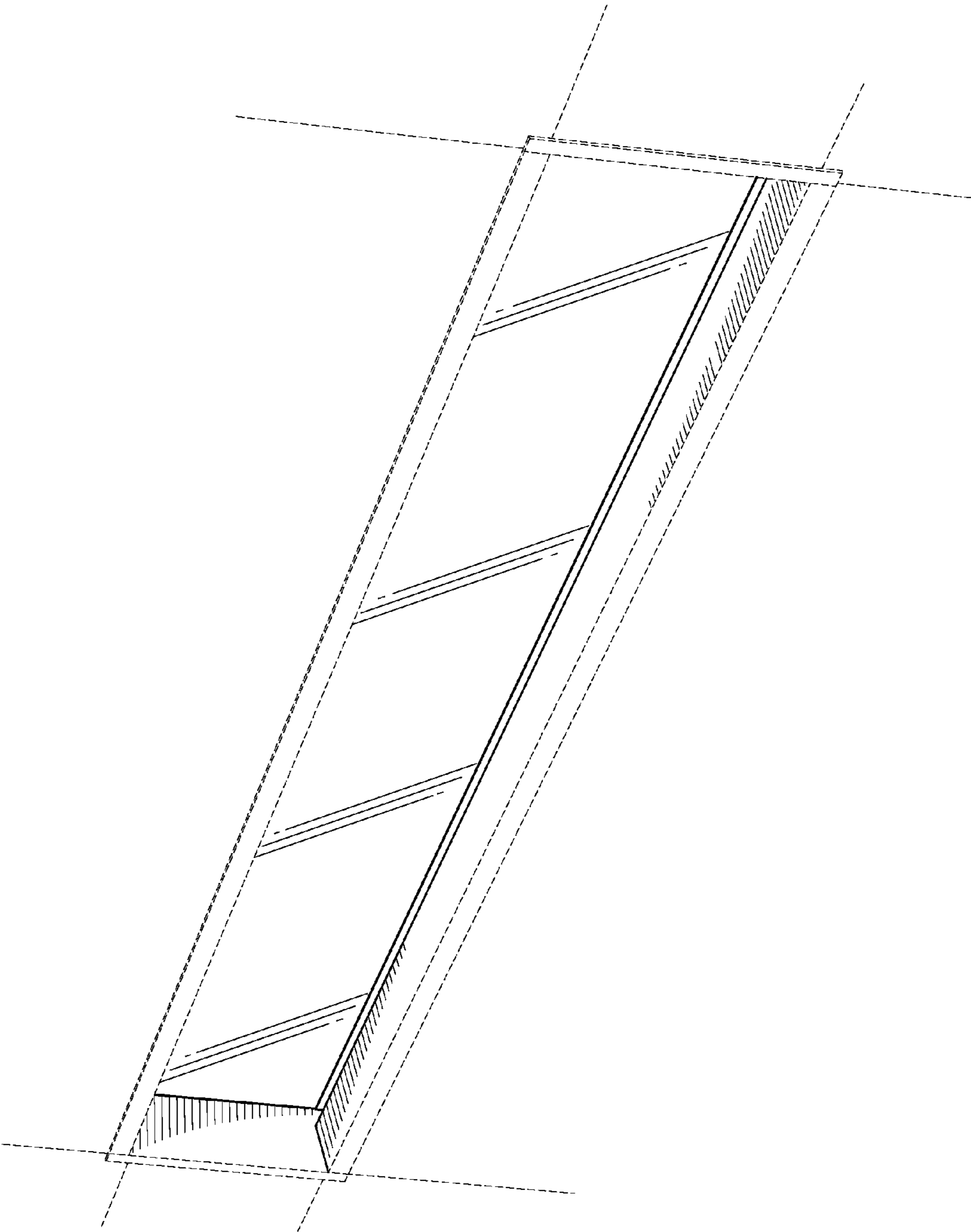


FIG. 1

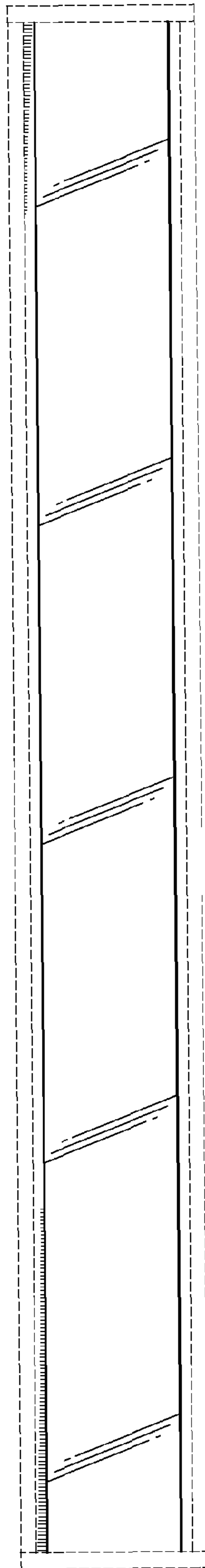


FIG. 2

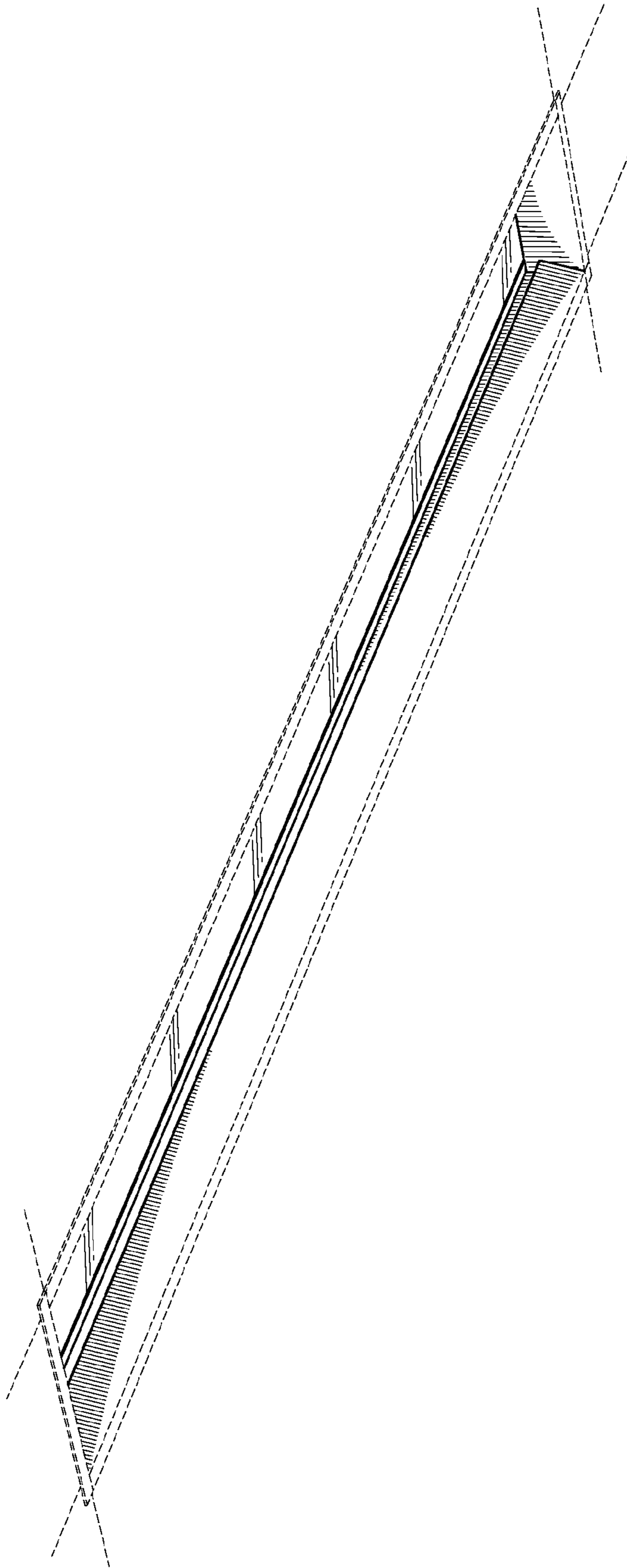


FIG. 3