

US00D614790S

(12) **United States Design Patent**  
**Nibaldi**

(10) **Patent No.:** **US D614,790 S**  
(45) **Date of Patent:** **\*\* Apr. 27, 2010**

(54) **LAMP FOR ROAD LIGHTING**

(75) Inventor: **Franco Nibaldi**, Recanati (IT)

(73) Assignee: **ENEL SOLE S.r.l.**, Rome (IT)

(\*\*) Term: **14 Years**

(21) Appl. No.: **29/315,381**

(22) Filed: **Jun. 19, 2009**

(30) **Foreign Application Priority Data**

Jan. 13, 2009 (EP) ..... 001068902-0002

(51) **LOC (9) Cl.** ..... **26-05**

(52) **U.S. Cl.** ..... **D26/71**

(58) **Field of Classification Search** ..... 362/152-153.1,  
362/183, 235, 249.02, 249.03, 249.14, 294,  
362/373, 432; D26/63, 67-72, 84, 85, 92  
See application file for complete search history.

(56) **References Cited**

**U.S. PATENT DOCUMENTS**

4,460,945 A \* 7/1984 Chan et al. .... 362/294  
D573,741 S \* 7/2008 Lou ..... D26/71  
7,420,811 B2 \* 9/2008 Chan ..... 361/709  
7,544,411 B2 6/2009 Baumann et al.  
D600,846 S \* 9/2009 Hsu et al. .... D26/71  
2003/0026102 A1 \* 2/2003 Galia ..... 362/431  
2004/0196653 A1 \* 10/2004 Clark et al. .... 362/183  
2007/0141305 A1 6/2007 Kasai et al.  
2009/0103300 A1 \* 4/2009 Chang ..... 362/249.02  
2009/0222070 A1 \* 9/2009 Daffer ..... 607/91  
2009/0268477 A1 \* 10/2009 Zheng et al. .... 362/373  
2009/0296393 A1 \* 12/2009 Wung et al. .... 362/249.02

**FOREIGN PATENT DOCUMENTS**

DE 101 06 213 8/2002  
DE 20 2006 010949 9/2006

EP 1 479 738 11/2004  
EP 1 895 232 3/2008  
EP 1 956 290 8/2008  
FR 2 913 484 9/2008

**OTHER PUBLICATIONS**

G. Gu, et al.: "Fabrication and characterization of transparent superhydrophobic thin films based on silica nanoparticles" *Applied Physics A: Materials Science & Processing*, Springer, Berlin, DE, vol. 83, No. 1, Apr. 1, 2006, pp. 131-132, XP019337220.

International Search Report completed Jan. 7, 2009 by the European Patent Office in related European utility application No. EP 08 42 5399.6.

International Search Report completed Feb. 16, 2009 by the European Patent Office in related European utility application No. EP 08 42 5645.2-2423.

\* cited by examiner

*Primary Examiner*—Clare E Heflin

(74) *Attorney, Agent, or Firm*—Abelman, Frayne & Schwab

(57) **CLAIM**

The ornamental design for a lamp for road lighting, as shown and described.

**DESCRIPTION**

FIG. 1 is a bottom, front and left side perspective view of the lamp for road lighting showing my new design;

FIG. 2 is a left side elevational view thereof;

FIG. 3 is a right side elevational view thereof;

FIG. 4 is a front elevational view thereof;

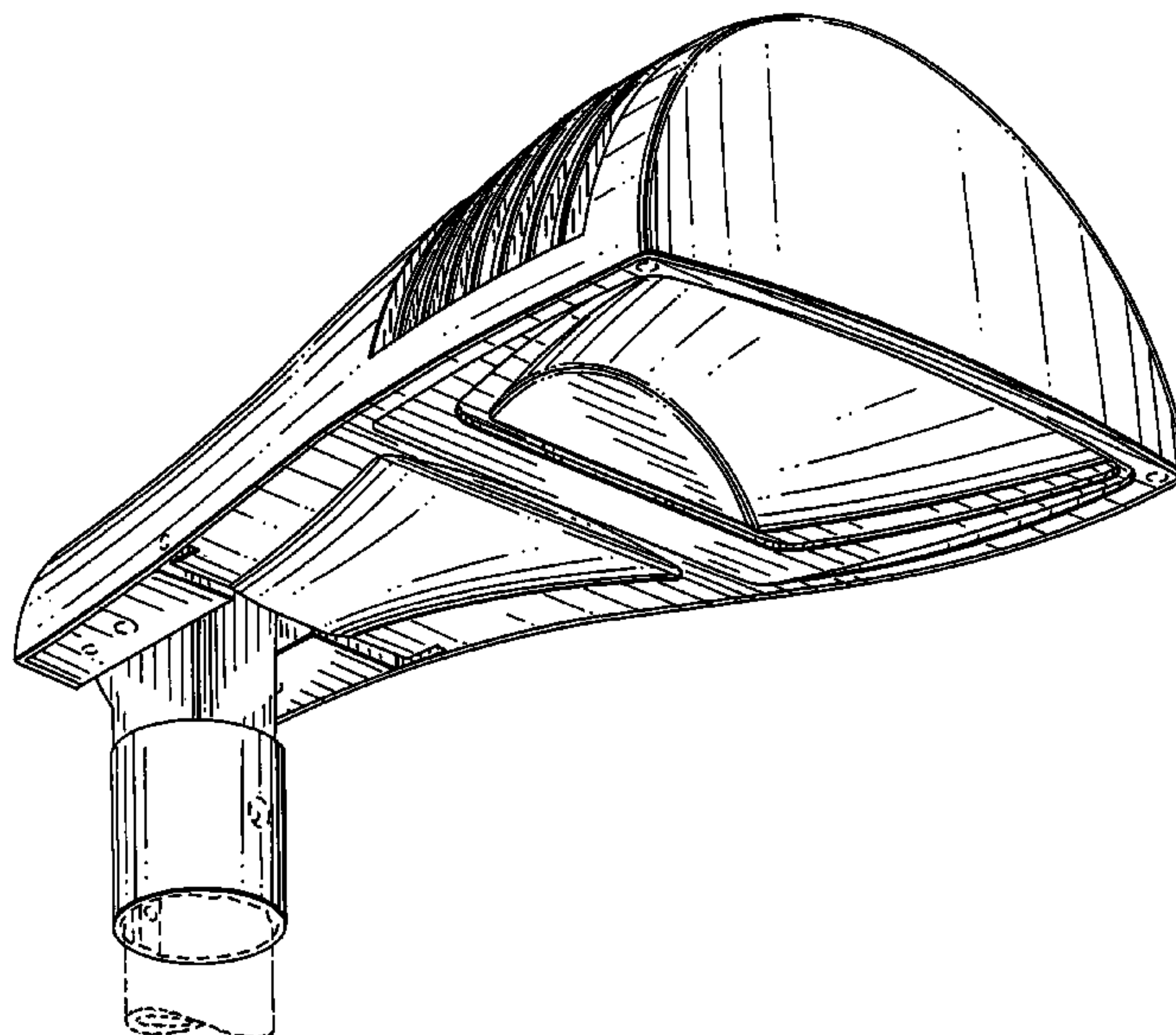
FIG. 5 is a rear elevational view thereof;

FIG. 6 is a bottom plan view thereof; and,

FIG. 7 is a top plan view thereof.

The broken lines shown on the drawings represent environment only and form no part of the claimed design.

**1 Claim, 7 Drawing Sheets**



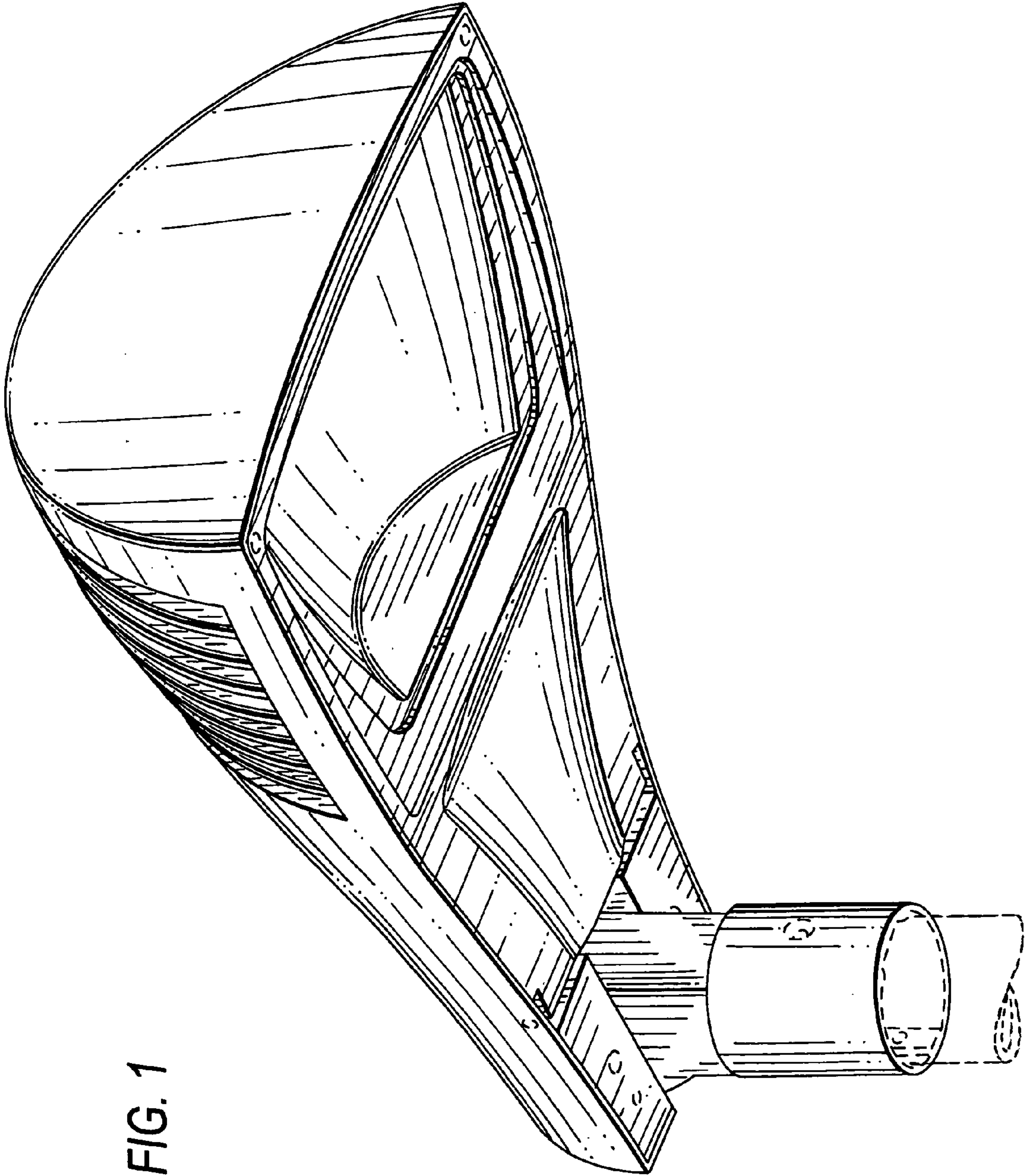


FIG. 1

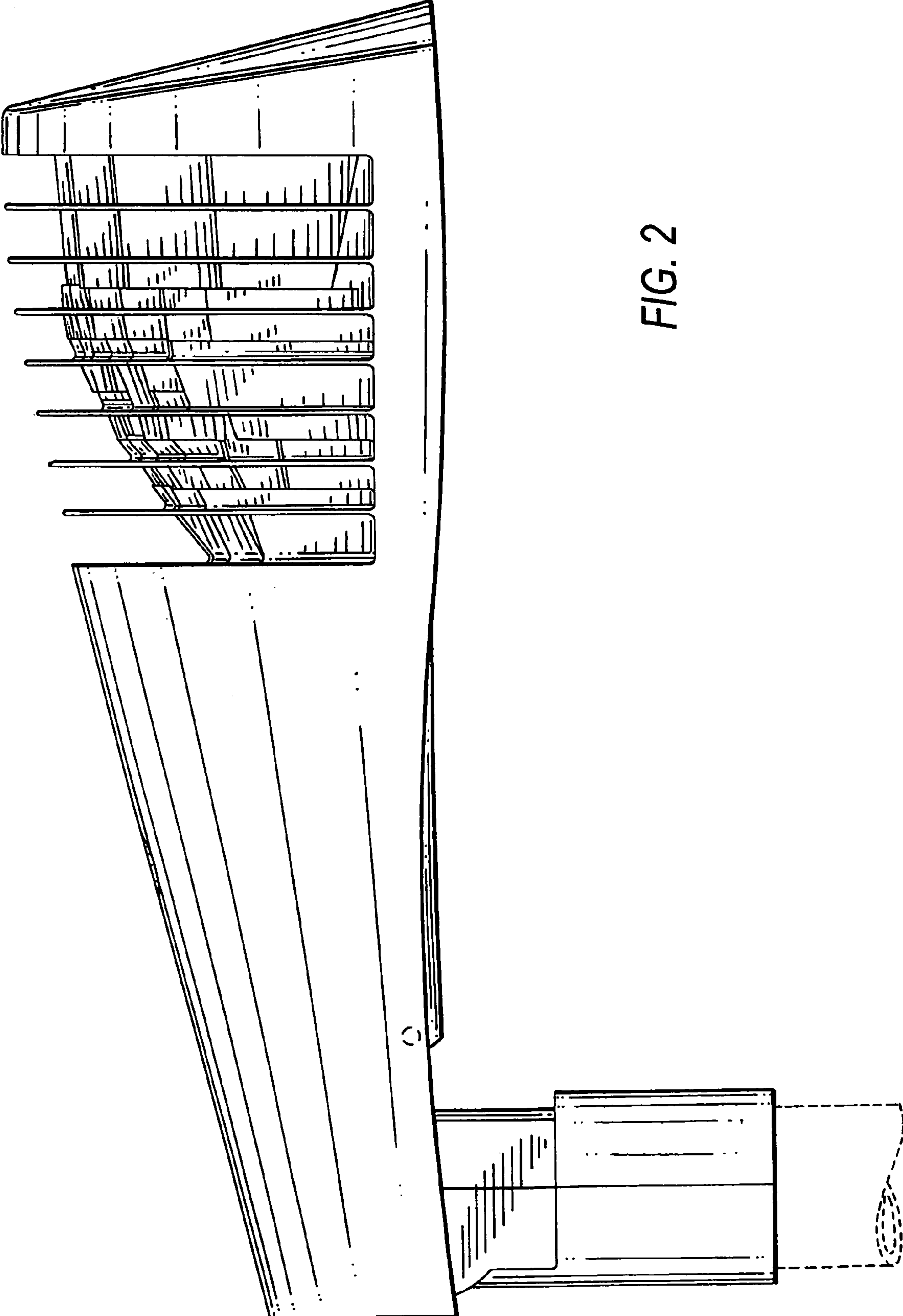


FIG. 2

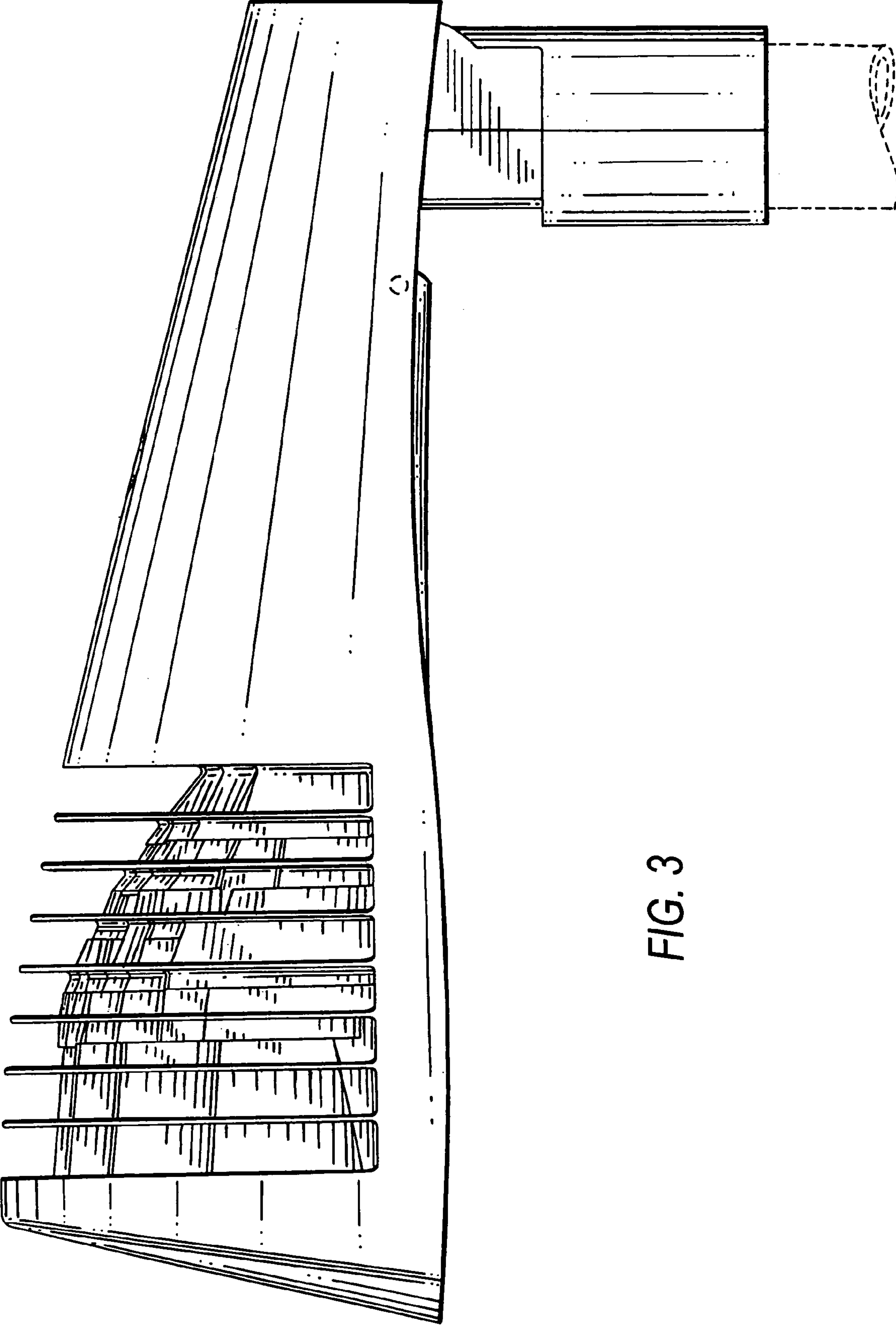


FIG. 3



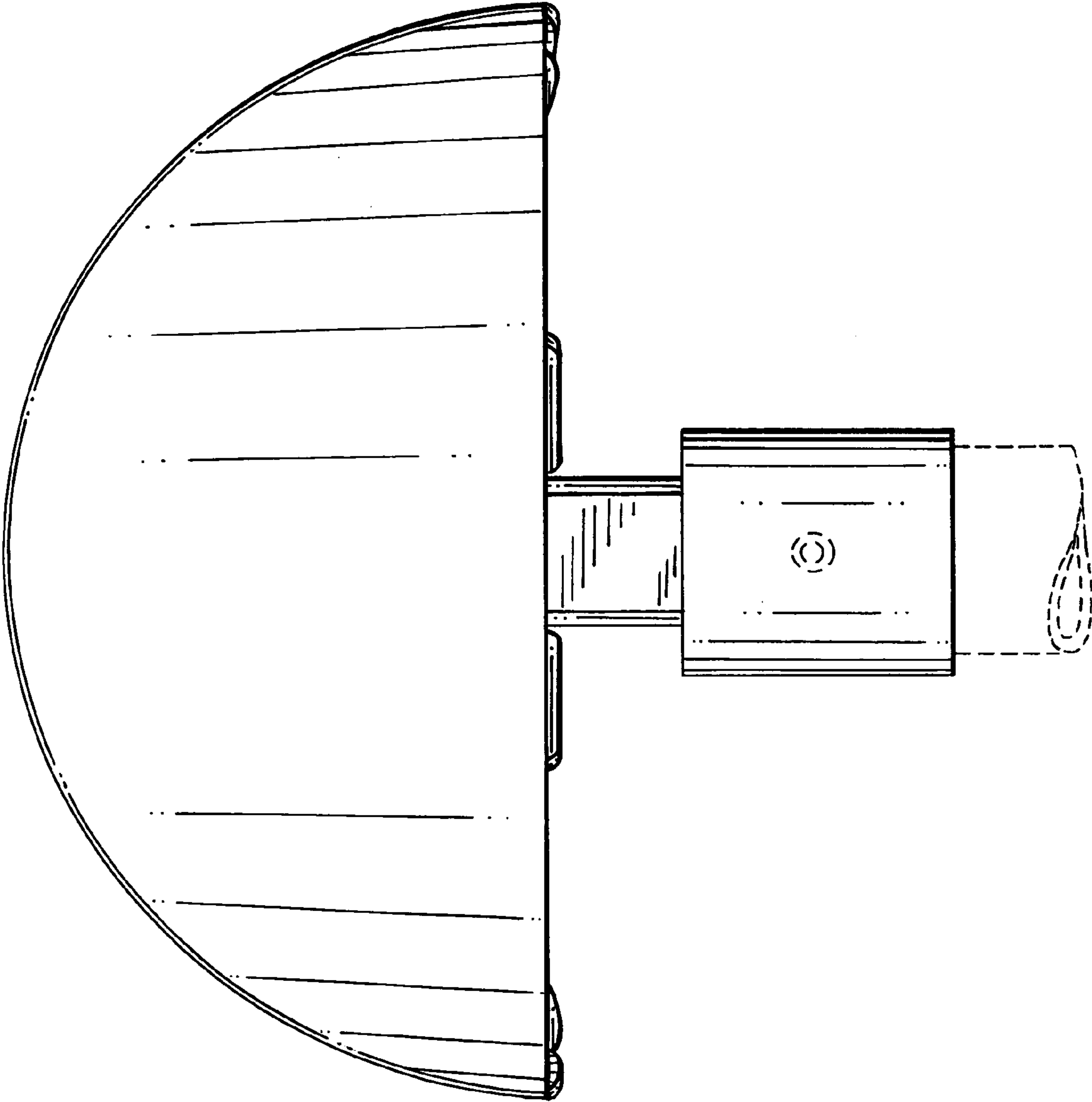


FIG. 4

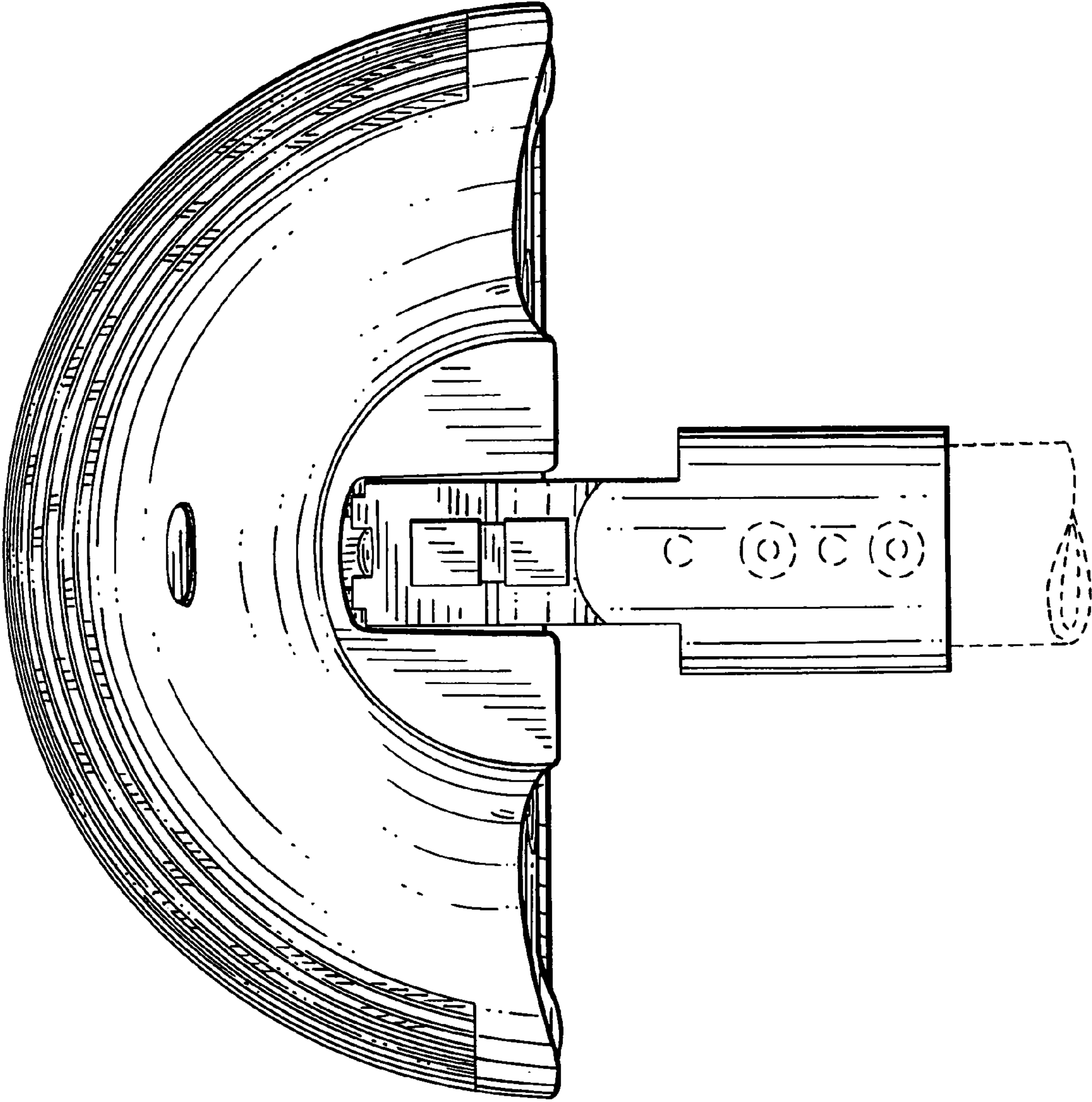


FIG. 5

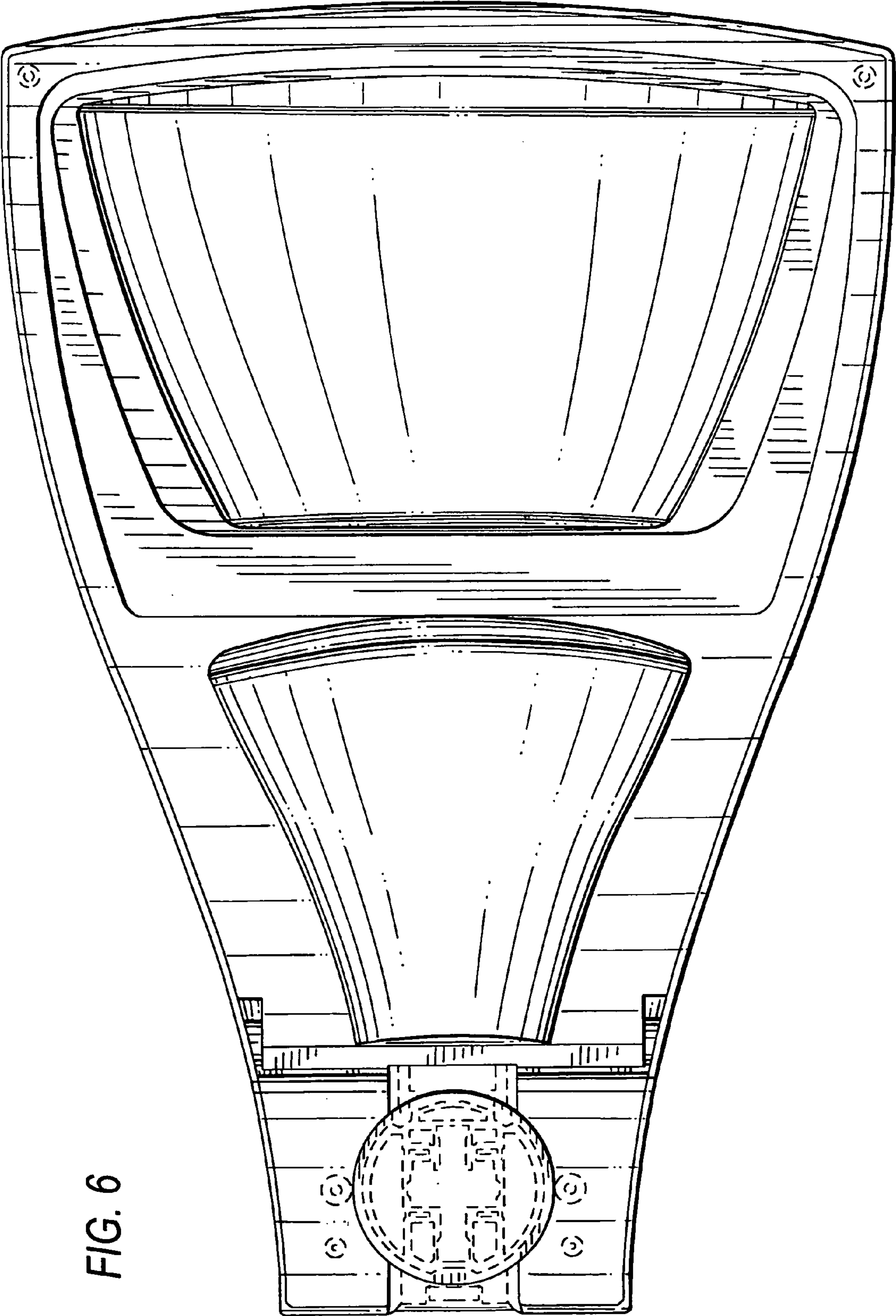


FIG. 6

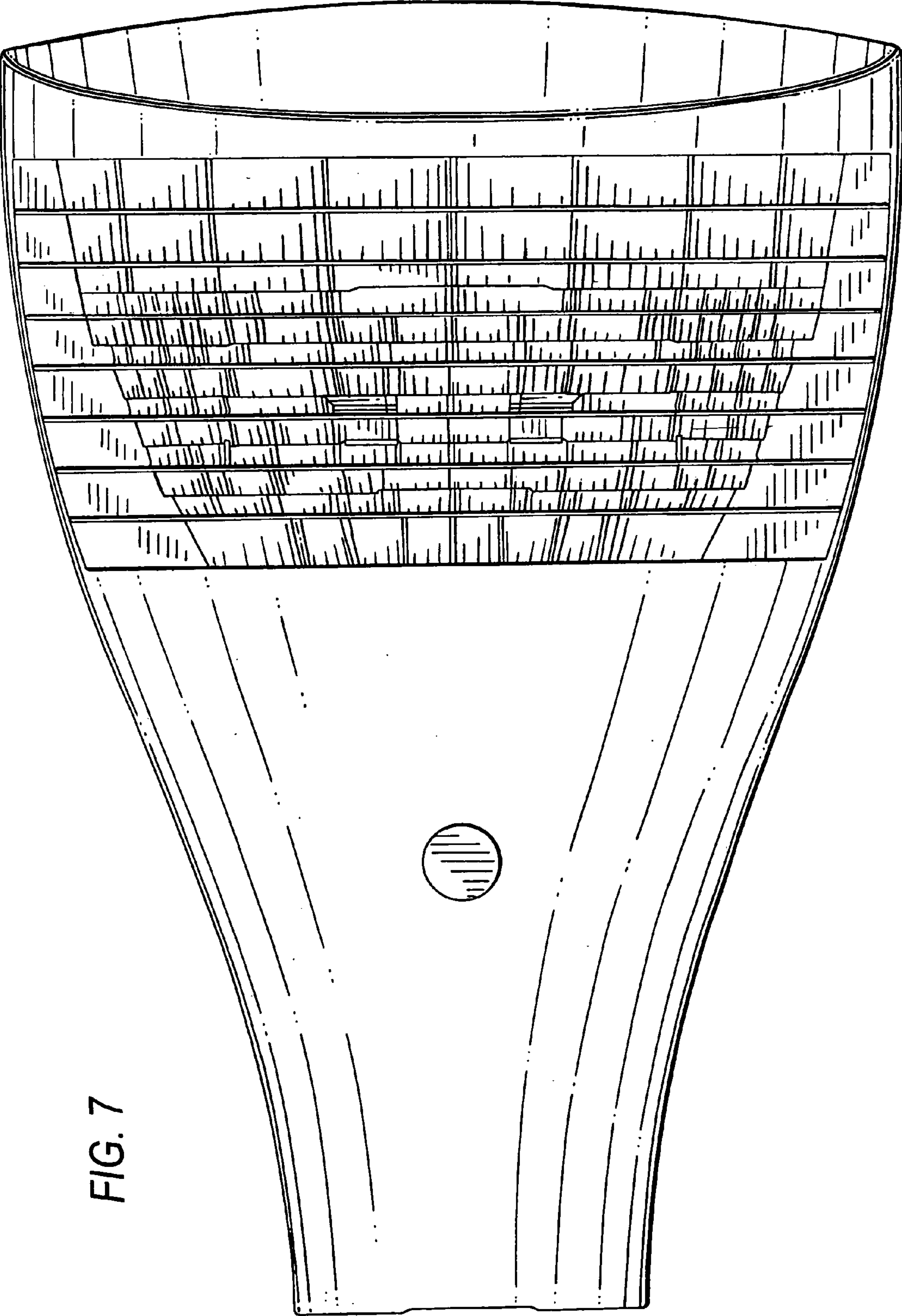


FIG. 7