



US00D614789S

(12) **United States Design Patent**  
**van Klinken**

(10) **Patent No.:** **US D614,789 S**

(45) **Date of Patent:** **\*\* Apr. 27, 2010**

(54) **LUMINAIRE FOR ROAD LIGHTING**

(75) Inventor: **Dido van Klinken**, Eindhoven (NL)

(73) Assignee: **Koninklijke Philips Electronics N.V.**,  
Eindhoven (NL)

(\*\*) Term: **14 Years**

(21) Appl. No.: **29/336,240**

(22) Filed: **Apr. 30, 2009**

(30) **Foreign Application Priority Data**

Nov. 4, 2008 (EM) ..... 001033567-0001

(51) **LOC (9) Cl.** ..... **26-03**

(52) **U.S. Cl.** ..... **D26/67**

(58) **Field of Classification Search** ..... D26/63,  
D26/67-72, 84, 85, 92; 362/145, 152, 183,  
362/294, 373, 414, 431, 545, 800, 249.02,  
362/249.03, 249.14, 426

See application file for complete search history.

(56) **References Cited**

**U.S. PATENT DOCUMENTS**

3,116,023 A \* 12/1963 Van Dusen, Jr. et al. .... 362/294  
D199,077 S \* 9/1964 Turner et al. .... D26/67  
D329,101 S \* 9/1992 Landefeld ..... D26/68

D529,653 S \* 10/2006 Galipeau et al. .... D26/67  
D553,779 S \* 10/2007 Butler ..... D26/67  
D574,103 S \* 7/2008 Minami et al. .... D26/67  
D578,694 S \* 10/2008 Zeng et al. .... D26/70  
D591,887 S \* 5/2009 Tortel ..... D26/67  
D592,342 S \* 5/2009 Kinnune et al. .... D26/67  
D592,343 S \* 5/2009 Wilcox et al. .... D26/67  
D599,935 S \* 9/2009 van Klinken ..... D26/67  
D601,291 S \* 9/2009 Nankil ..... D26/67

\* cited by examiner

*Primary Examiner*—Clare E Heflin

(57) **CLAIM**

The ornamental design for a luminaire for road lighting, as shown.

**DESCRIPTION**

FIG. 1 is a perspective view showing my design;

FIG. 2 is a front elevational view thereof;

FIG. 3 is a rear elevational view thereof;

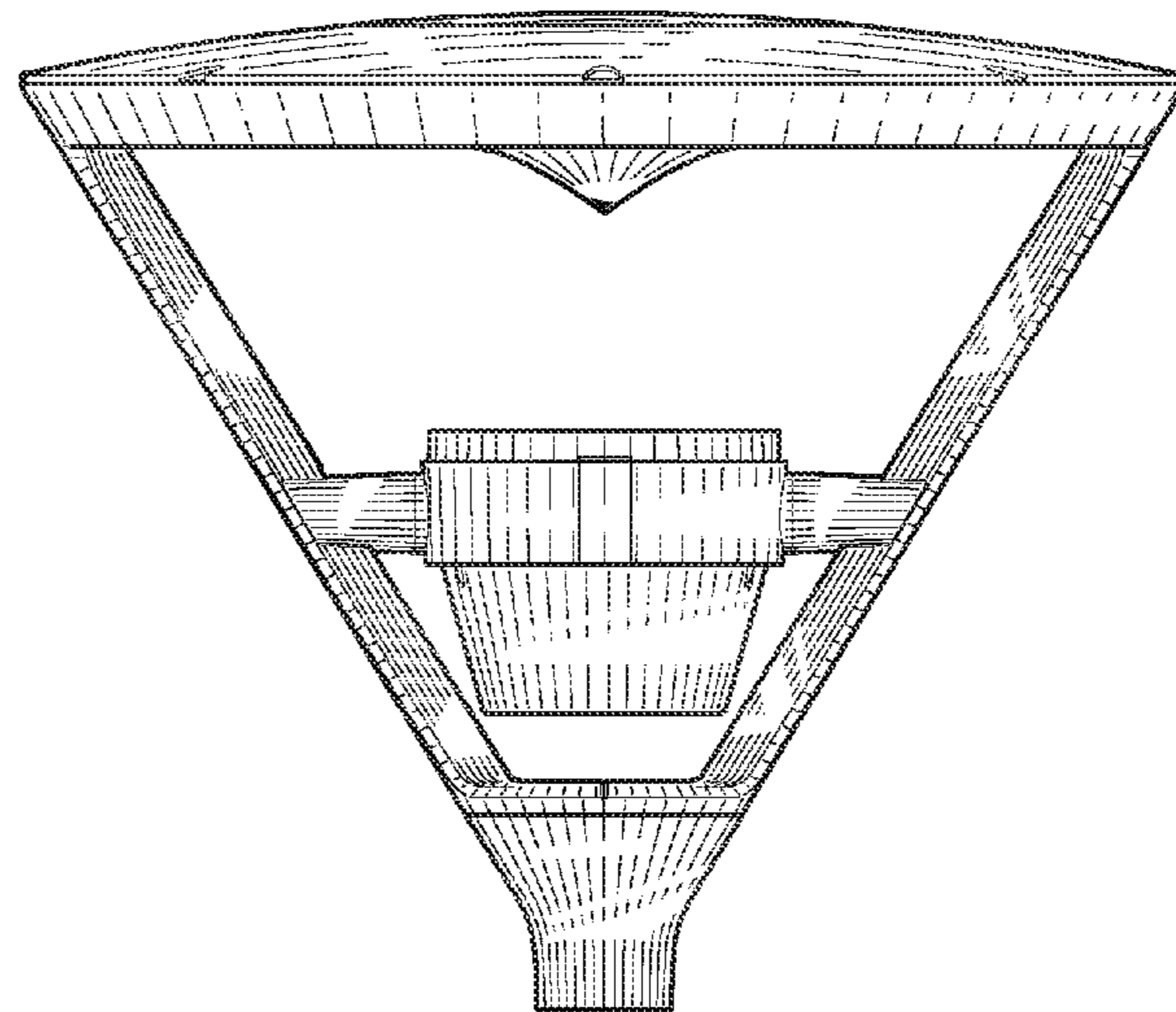
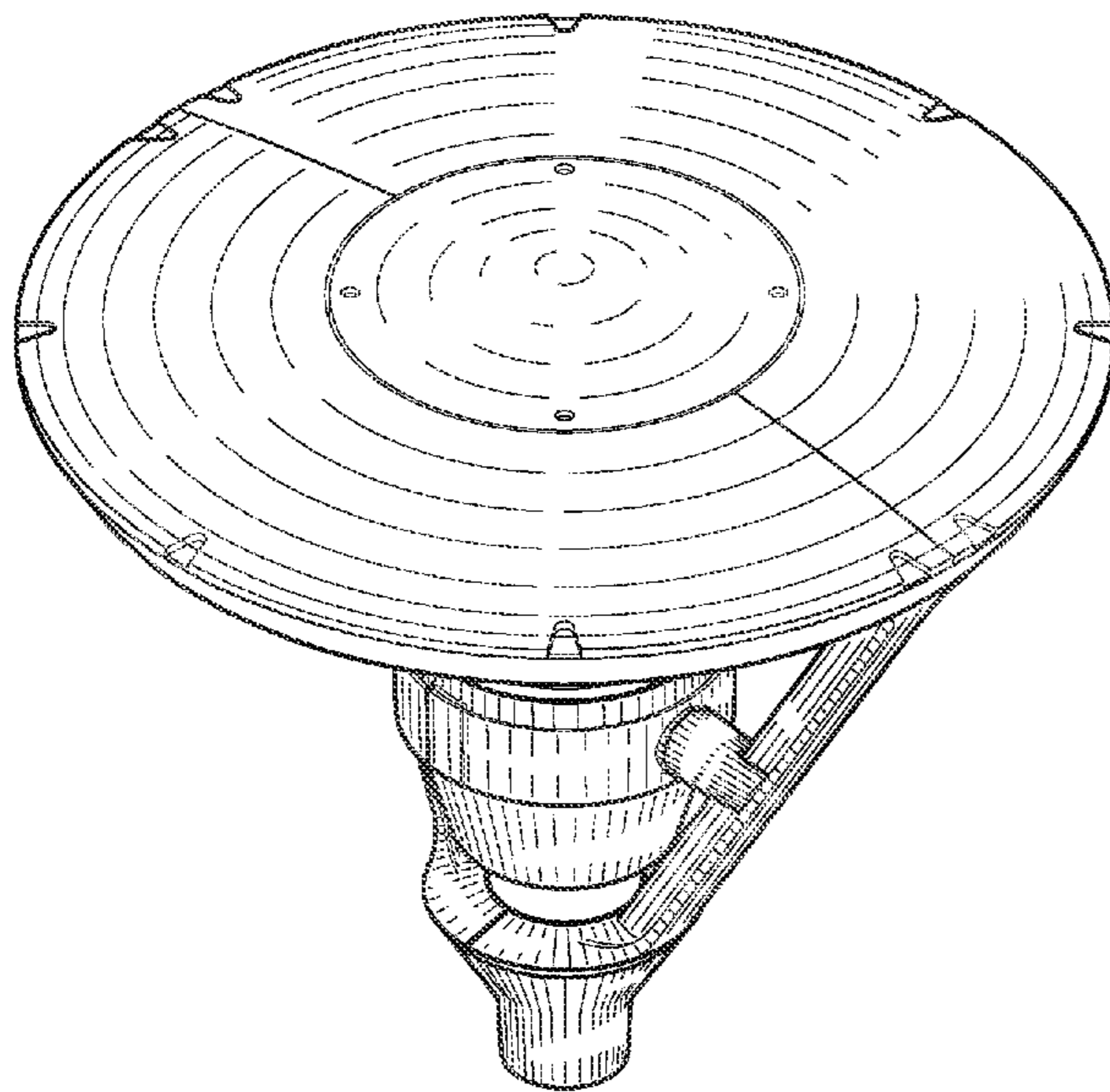
FIG. 4 is a right side elevational view thereof;

FIG. 5 is a left side elevational view thereof;

FIG. 6 is a top plan view thereof; and,

FIG. 7 is a bottom plan view thereof.

**1 Claim, 4 Drawing Sheets**



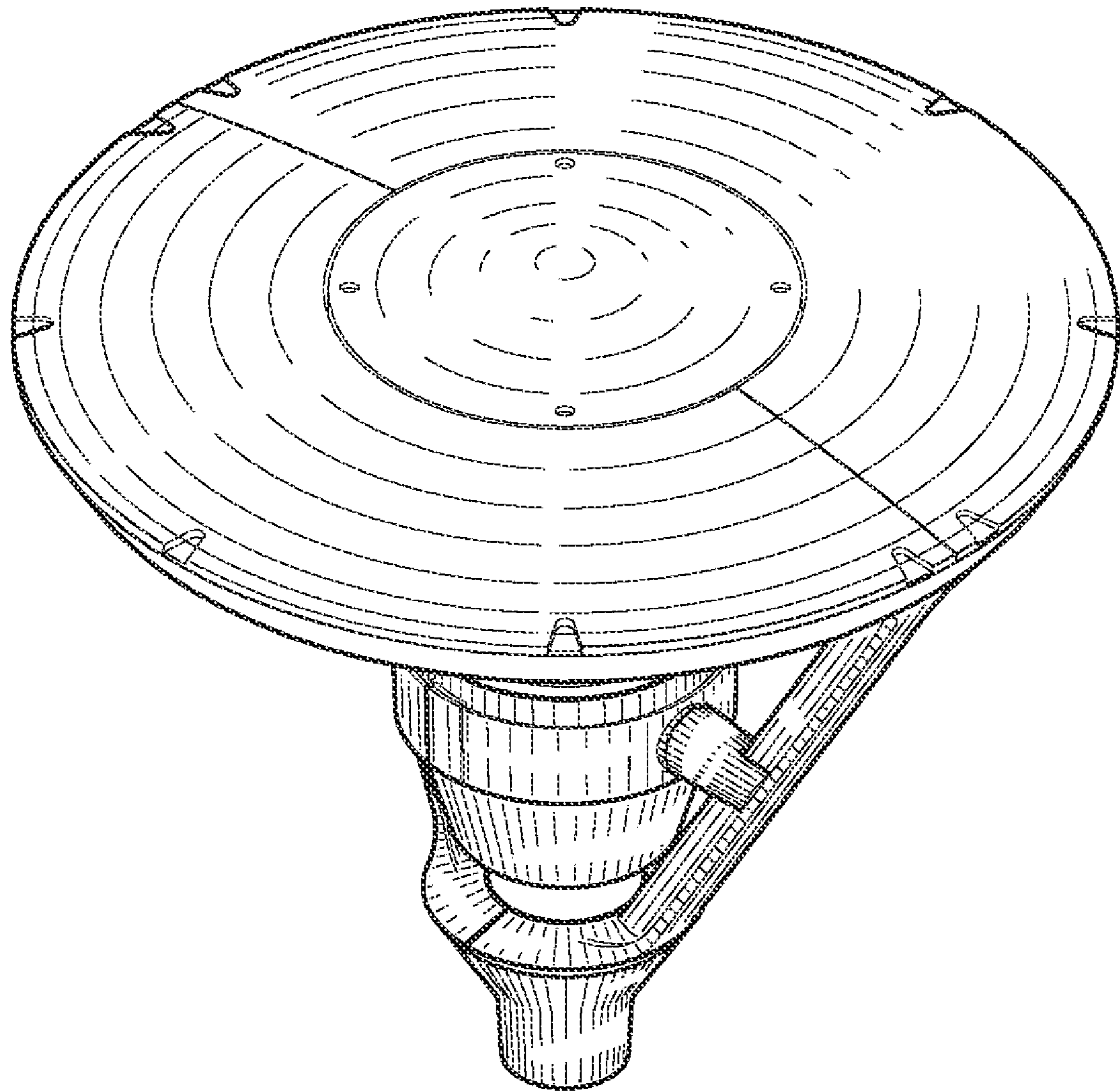


FIG. 1

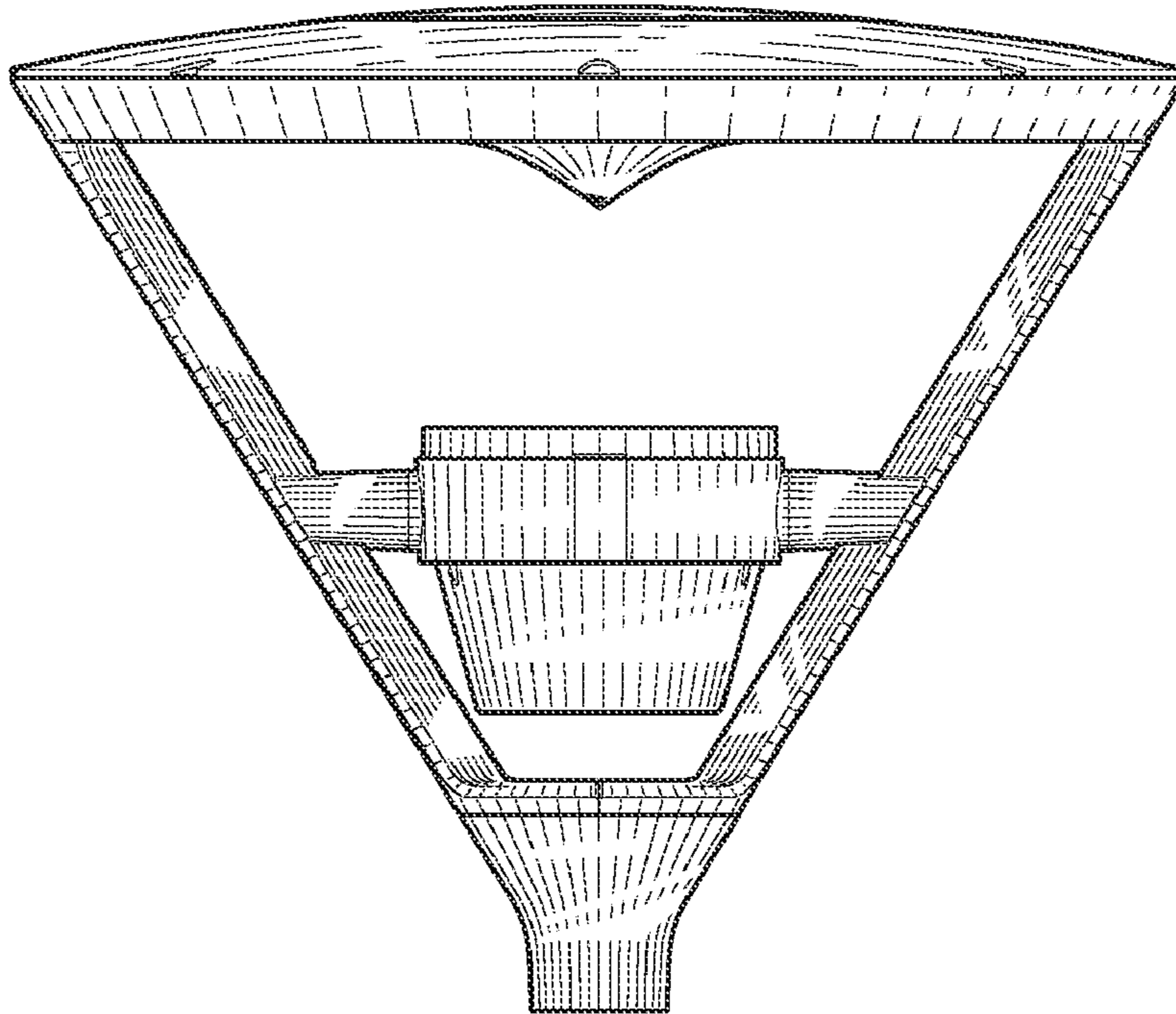


FIG. 2

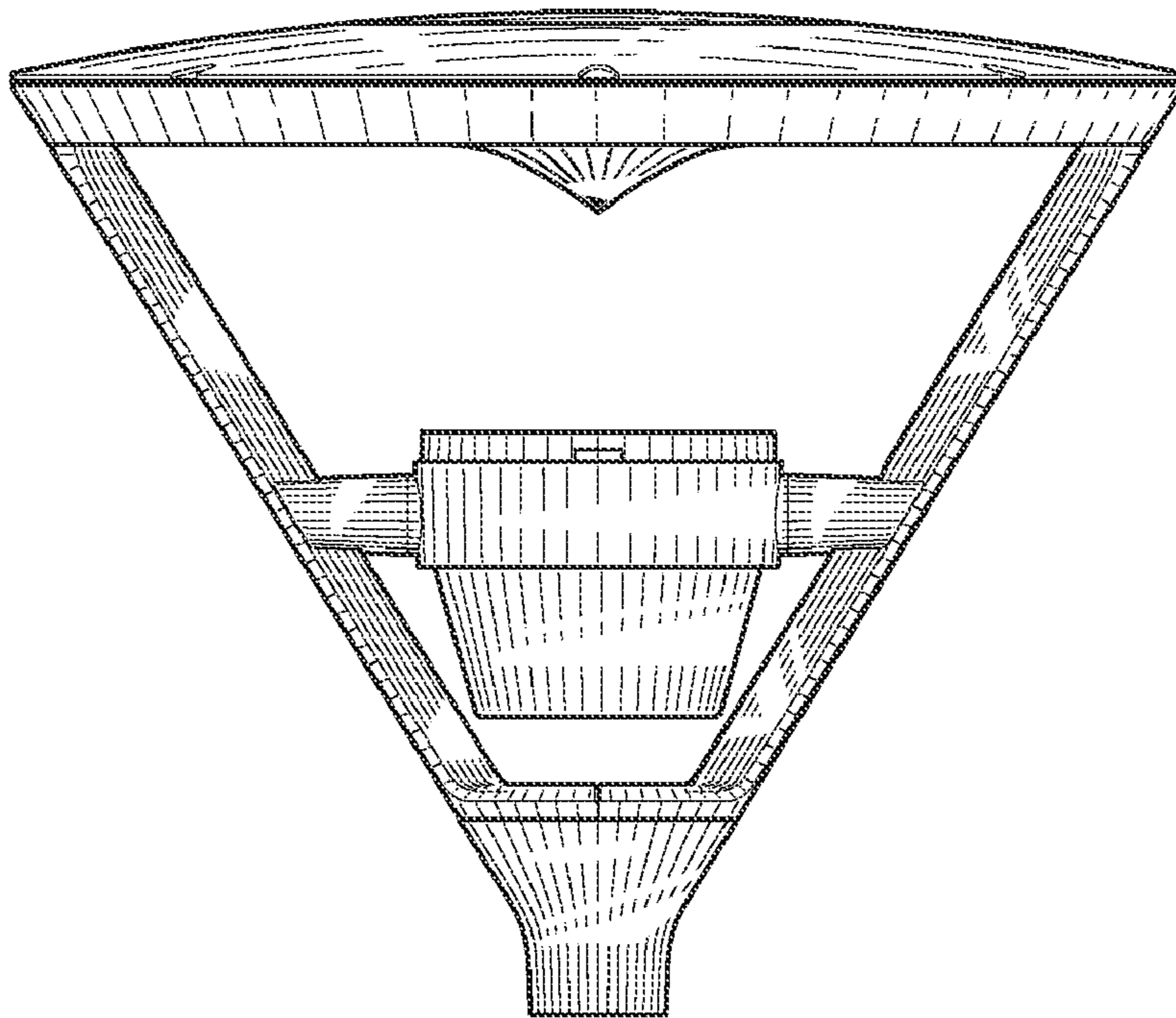


FIG. 3

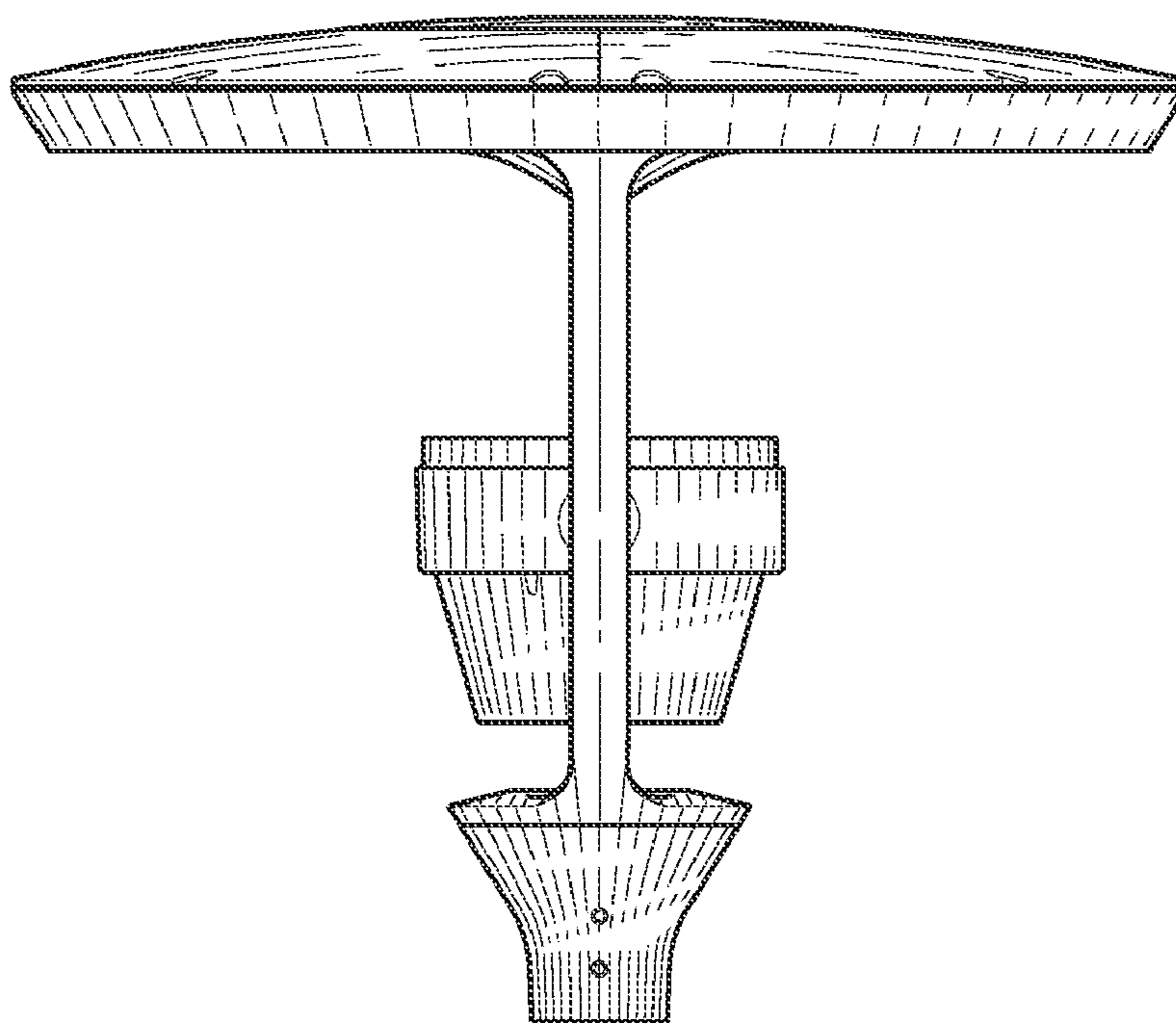


FIG. 4

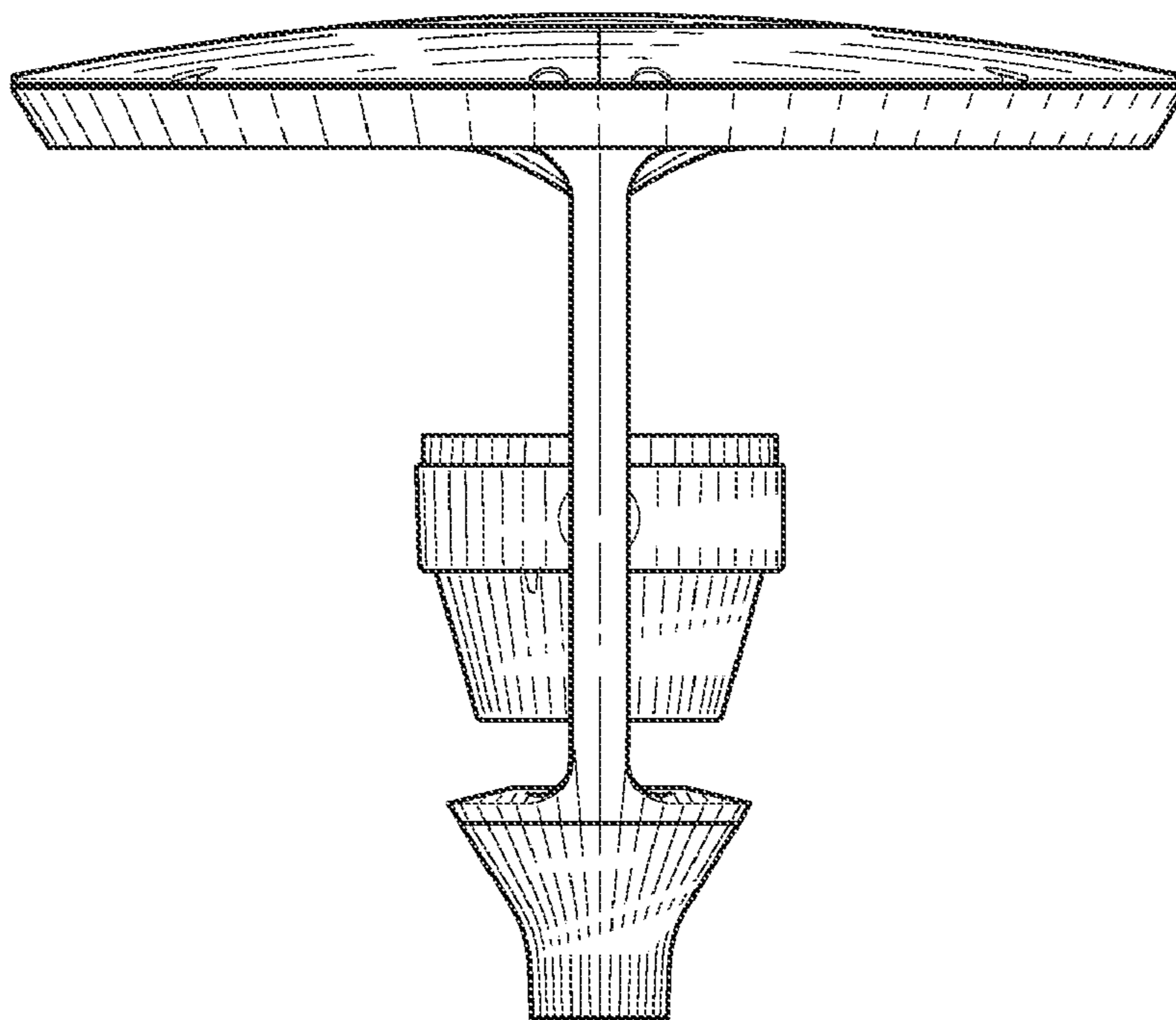


FIG. 5

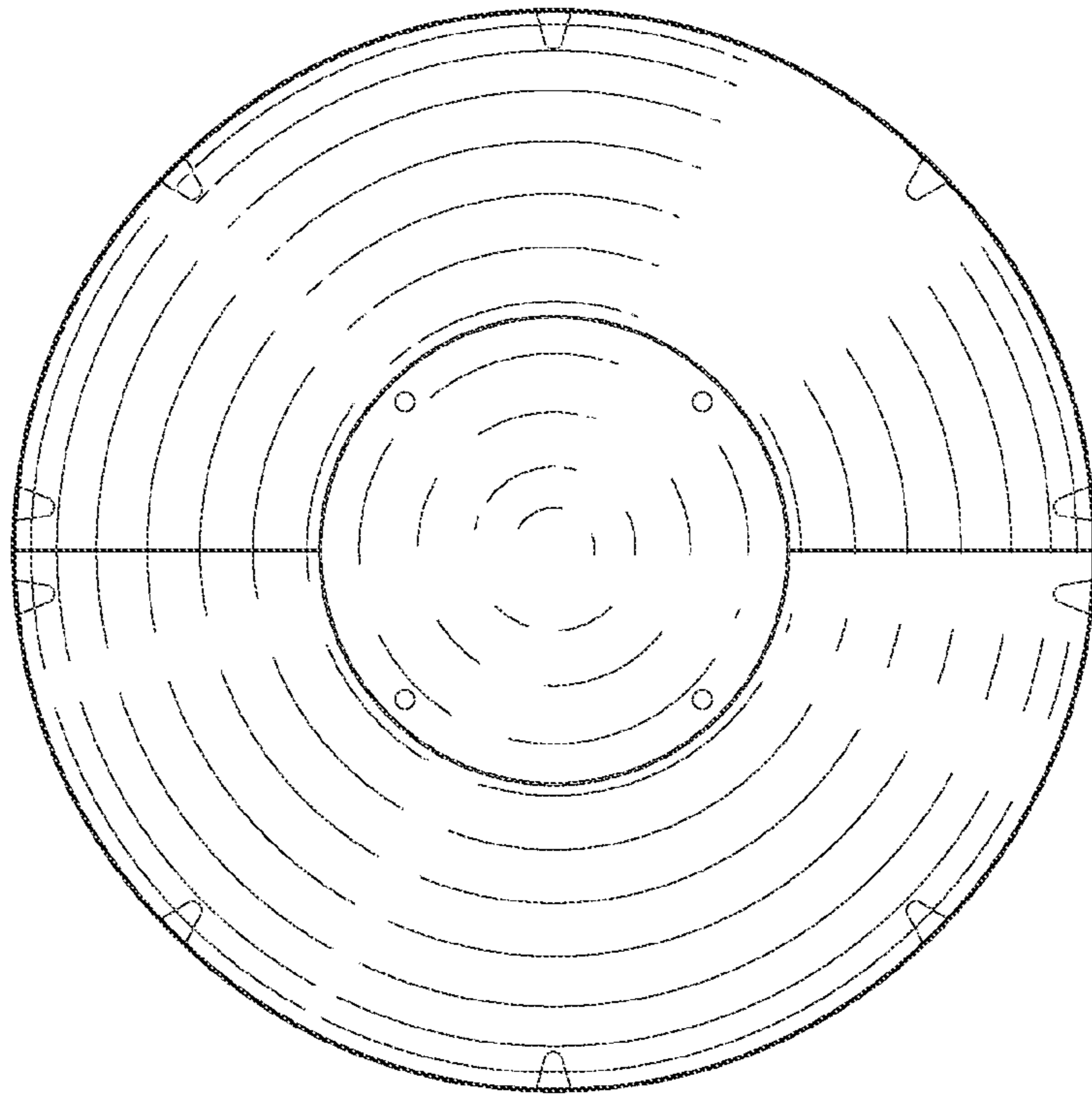


FIG. 6

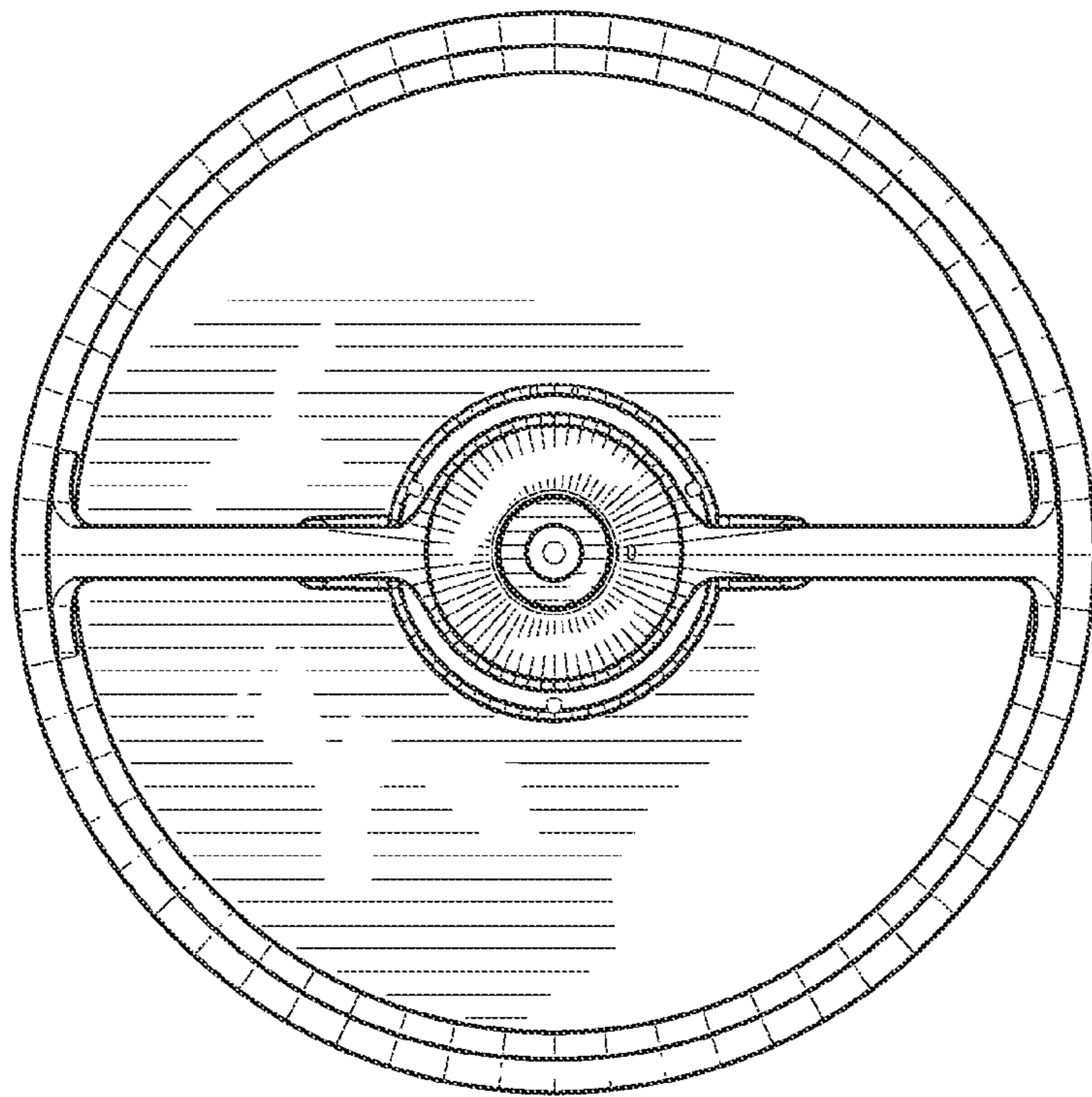


FIG. 7