



US00D614786S

(12) **United States Design Patent**
Lee

(10) **Patent No.:** **US D614,786 S**
(45) **Date of Patent:** **** Apr. 27, 2010**

(54) **HEADLAMP**

D583,971 S * 12/2008 Castellucci et al. D26/39
D600,840 S * 9/2009 Lagassey D26/37

(76) Inventor: **Wen-Sung Lee**, 9F., No. 61, Sec. 2,
Gonyi Rd., Nantun District, Taichung
City (TW) 40861

* cited by examiner

Primary Examiner—Ian Simmons
Assistant Examiner—Carissa C Fitts

(**) Term: **14 Years**

(21) Appl. No.: **29/342,927**

(57) **CLAIM**

(22) Filed: **Sep. 3, 2009**

The ornamental design for a headlamp, as shown and described.

(51) **LOC (9) Cl.** **26-02**

(52) **U.S. Cl.** **D26/39**

(58) **Field of Classification Search** D26/37,
D26/38, 39, 40, 42, 46, 51; 362/103, 105,
362/108, 157, 158, 183, 184, 194–196, 200,
362/201, 208

See application file for complete search history.

DESCRIPTION

FIG. 1 is a perspective view of a headlamp showing my new design;

FIG. 2 is a front elevational view thereof;

FIG. 3 is a rear elevational view thereof;

FIG. 4 is a left side view thereof;

FIG. 5 is a right side view thereof;

FIG. 6 is a top plan view thereof;

FIG. 7 is a bottom plan view thereof; and,

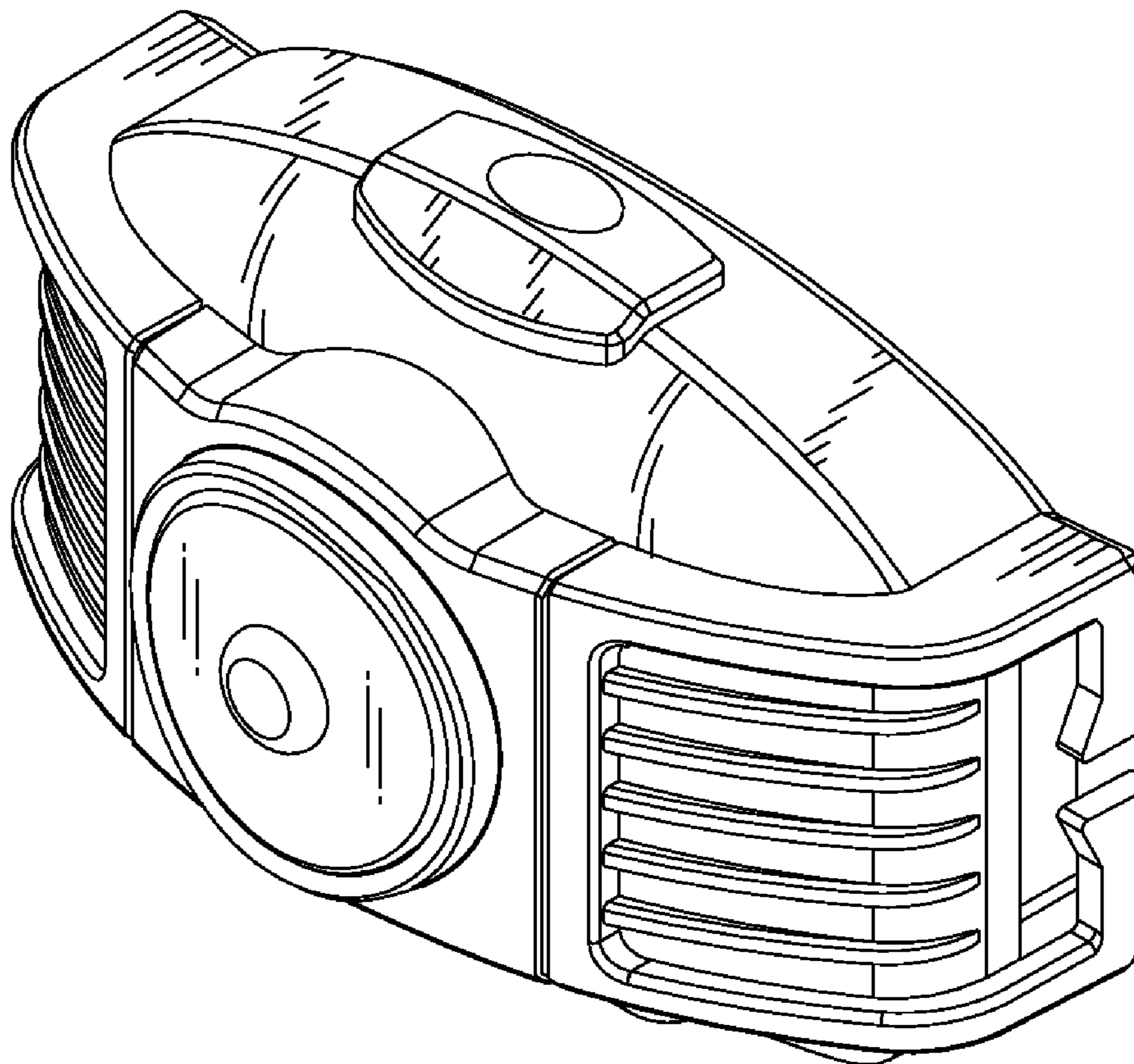
FIG. 8 is a perspective view of the headlamp, wherein the broken lines illustrate environmental structure that forms no part of the claimed design.

(56) **References Cited**

U.S. PATENT DOCUMENTS

D163,488 S *	5/1951	Schwartz	D26/37
D426,330 S *	6/2000	Cramer	D26/38
D554,782 S *	11/2007	Shiu	D26/39
D556,927 S *	12/2007	Shiu	D26/39
D560,008 S *	1/2008	Poon	D26/39
D573,736 S *	7/2008	Poon	D26/39
D576,328 S *	9/2008	Poon	D26/39

1 Claim, 5 Drawing Sheets



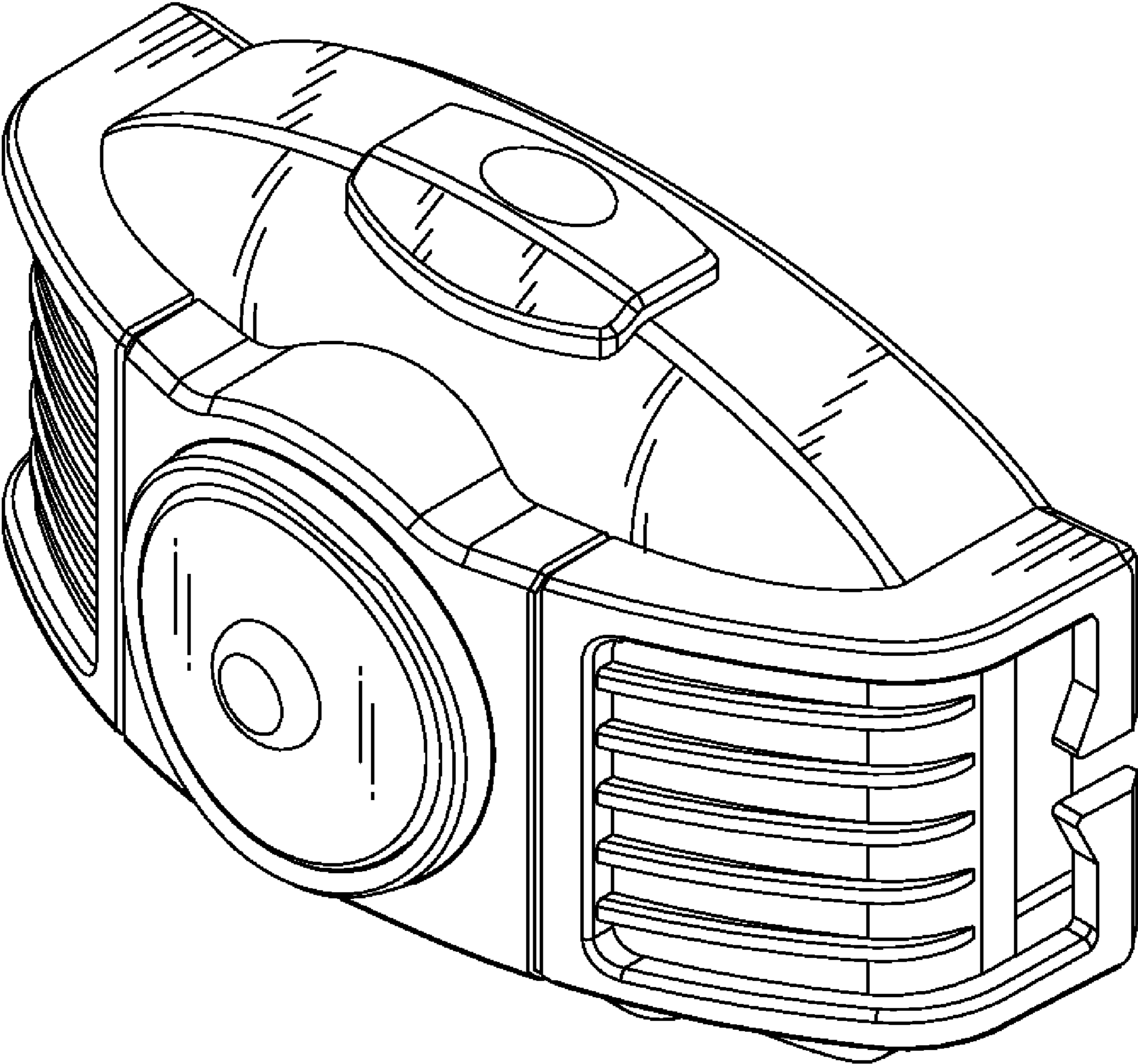


FIG. 1

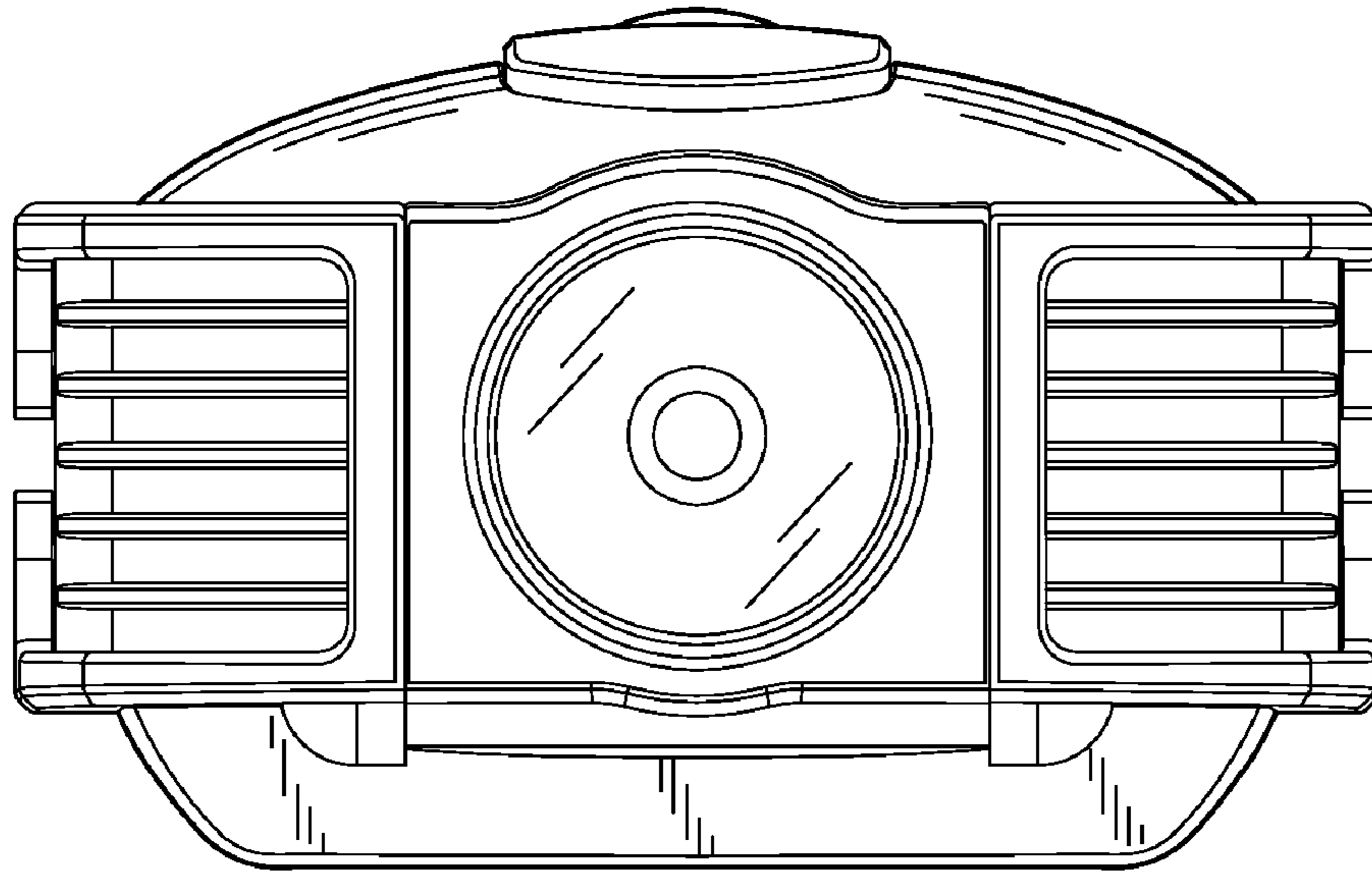


FIG. 2

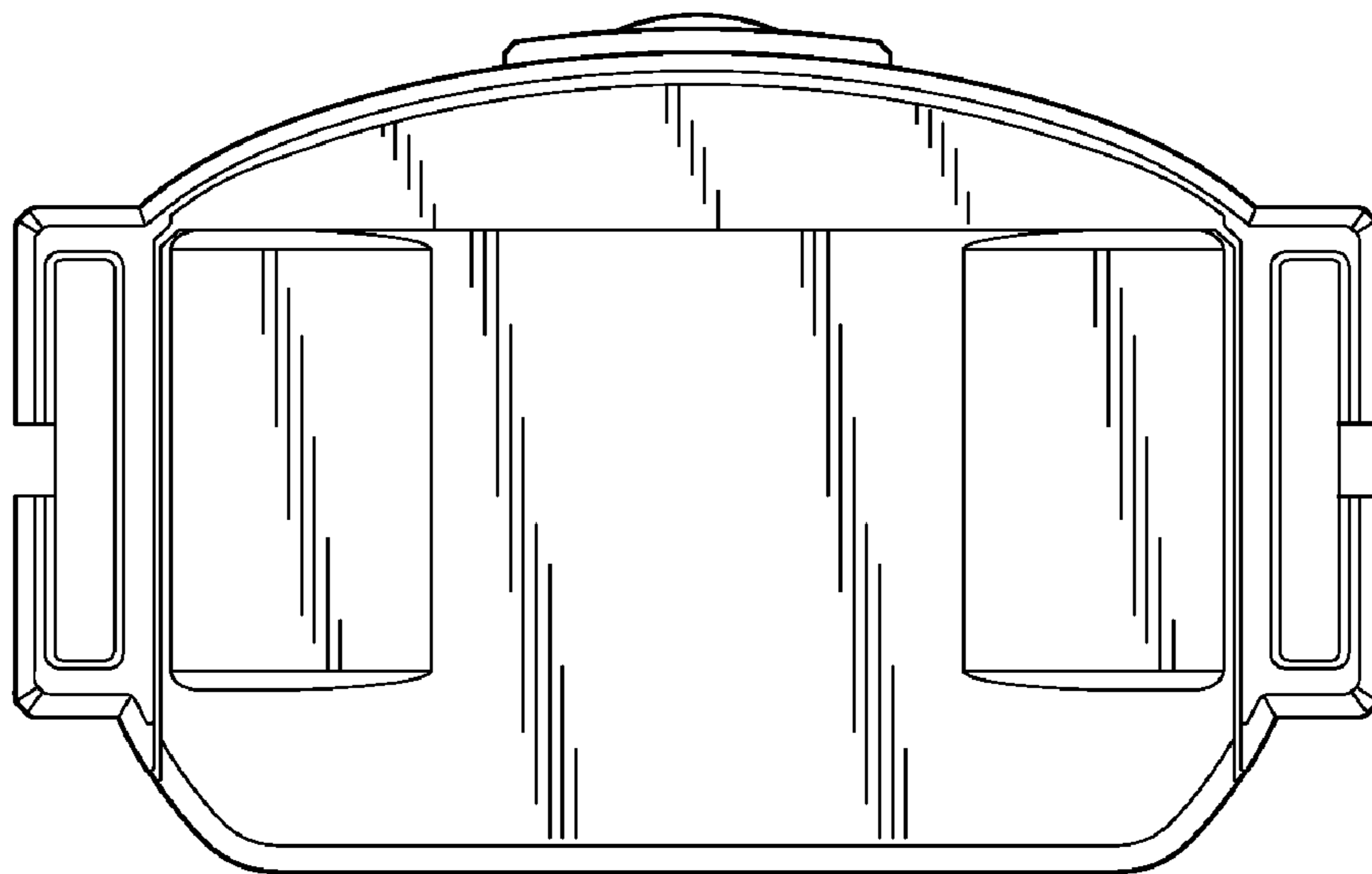


FIG. 3

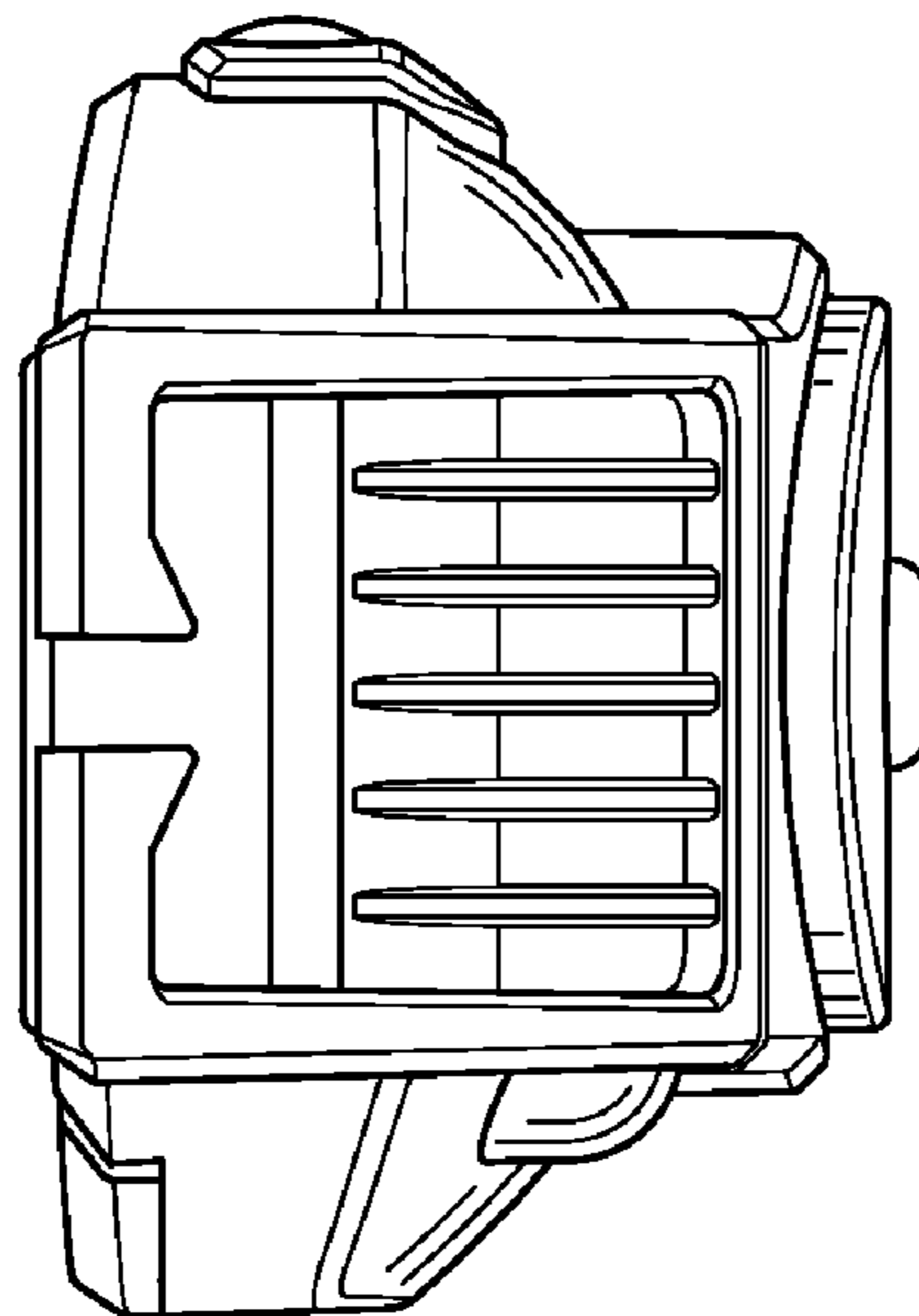


FIG. 4

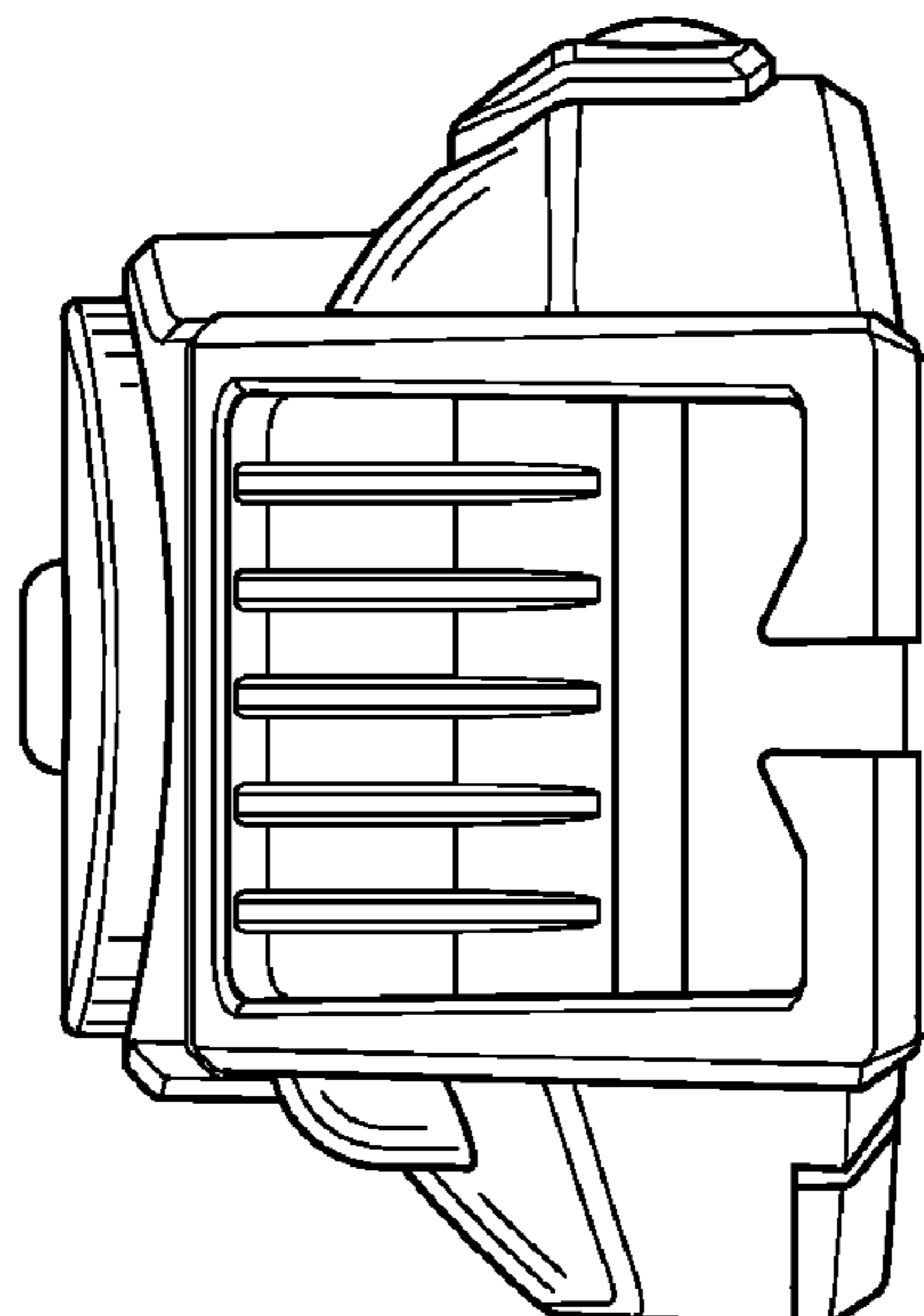


FIG. 5

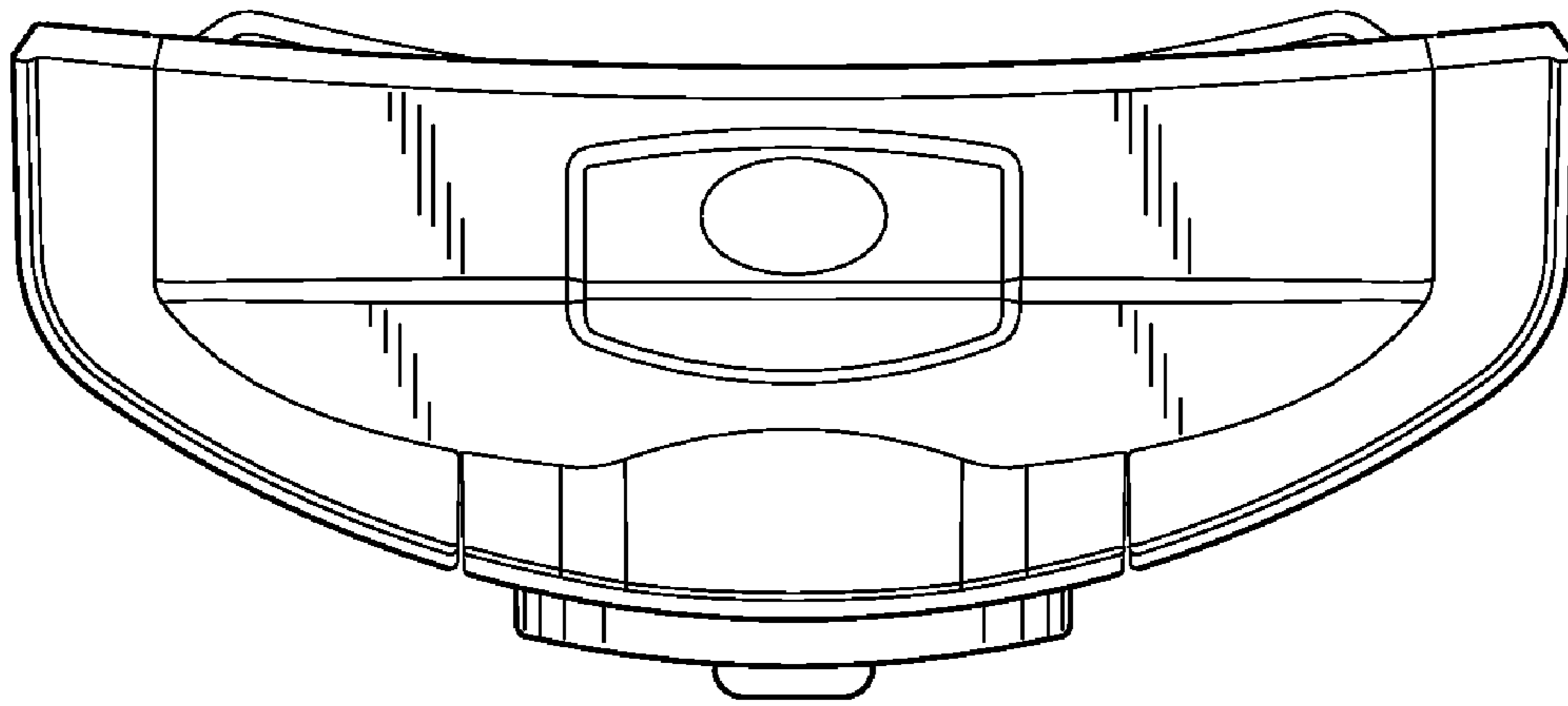


FIG. 6

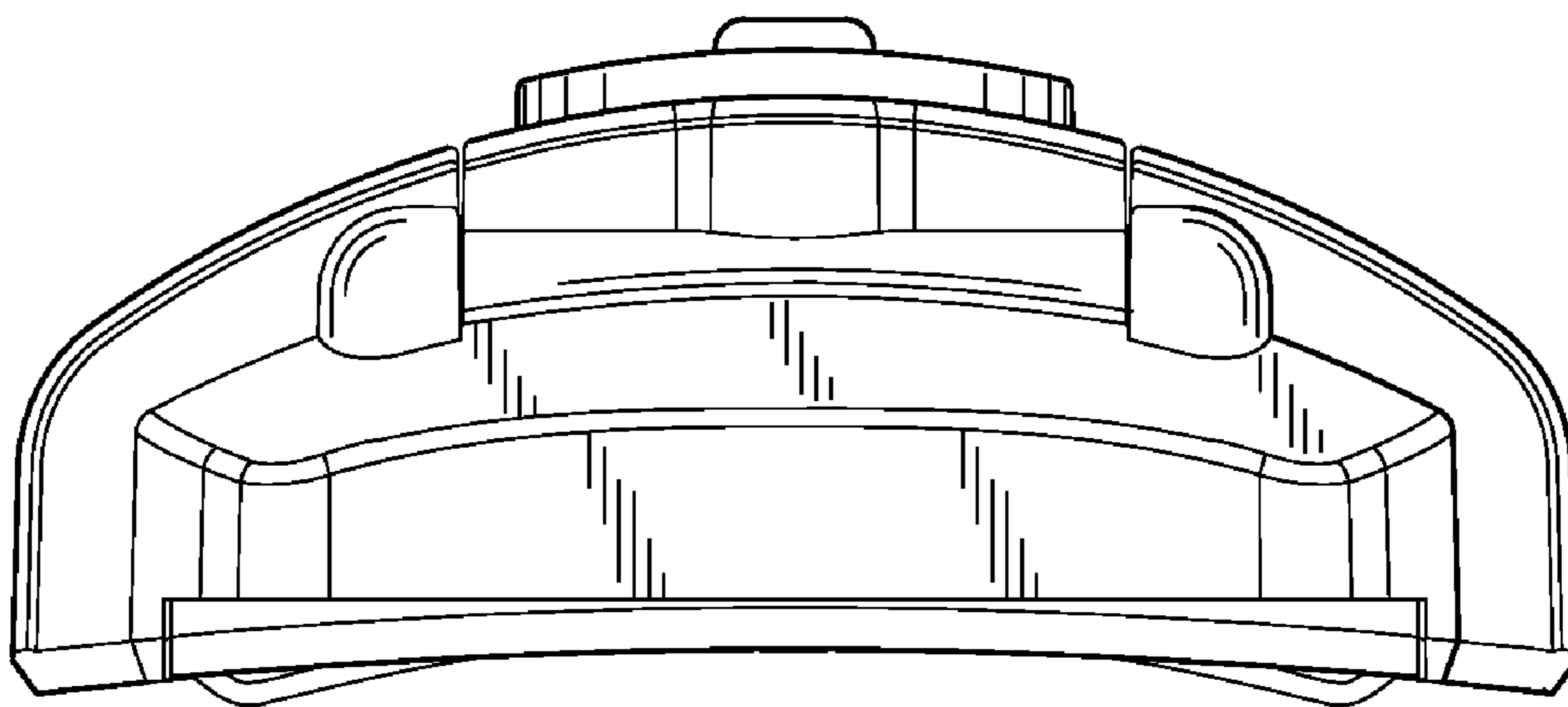


FIG. 7

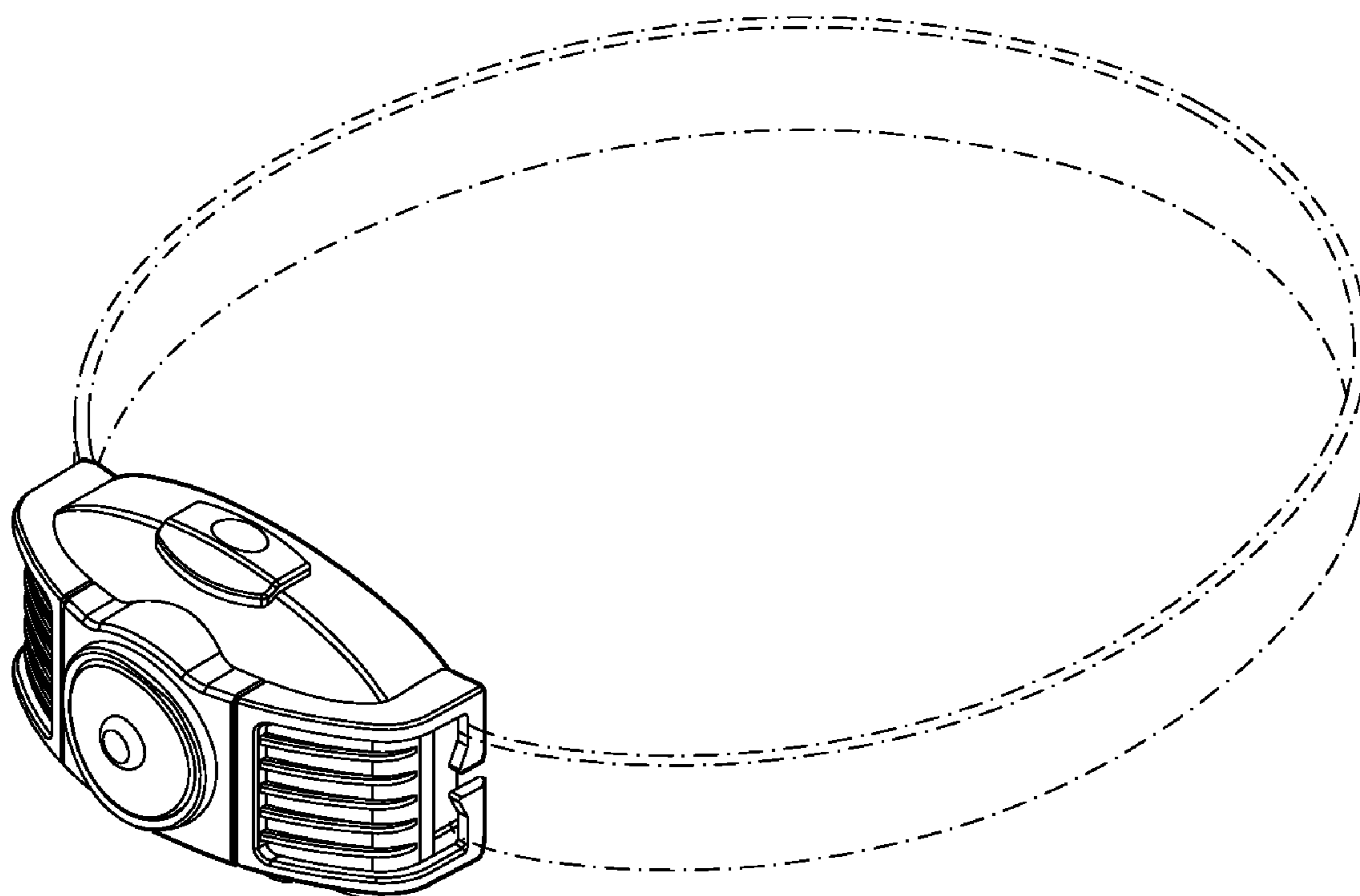


FIG. 8