



US00D614776S

(12) **United States Design Patent**
Loyd

(10) **Patent No.:** **US D614,776 S**

(45) **Date of Patent:** **** Apr. 27, 2010**

(54) **PORTABLE SPA**

(76) Inventor: **Casey Loyd**, 1462 E. 9th St., Pomona,
CA (US) 91766

(**) Term: **14 Years**

(21) Appl. No.: **29/328,004**

(22) Filed: **Nov. 17, 2008**

(51) **LOC (9) Cl.** **24-04**

(52) **U.S. Cl.** **D24/204**

(58) **Field of Classification Search** D24/204,
D24/205; D23/213, 277; 4/541.1, 541.2,
4/541.3, 541.4, 541.5, 541.6, 545, 546, 578.1,
4/579; 601/154, 155, 156, 157
See application file for complete search history.

(56) **References Cited**

U.S. PATENT DOCUMENTS

5,718,007	A *	2/1998	Loyd	4/541.1
6,003,165	A *	12/1999	Loyd	4/541.1
D445,904	S *	7/2001	Larsen	D24/204
D463,028	S *	9/2002	Bower	D24/204
D463,569	S *	9/2002	Bower	D24/204
D465,576	S *	11/2002	Larsen	D24/204
D521,154	S *	5/2006	Loyd	D24/204
D529,182	S *	9/2006	Loyd	D24/204
D542,925	S *	5/2007	Larsen	D24/204
D543,283	S *	5/2007	Larsen	D24/204
D550,371	S *	9/2007	Larsen	D24/204
D551,357	S *	9/2007	Loyd	D24/204

OTHER PUBLICATIONS

On-line catalogue page of Master Spas (publication date unknown).
On-line catalogue page of Aquatic Fitness Systems (publication date unknown).

On-line catalogue pages (3) of Sunbelt Spas (publication date unknown).

* cited by examiner

Primary Examiner—Prabhakar Deshmukh

Assistant Examiner—Derrick Holland

(74) *Attorney, Agent, or Firm*—Denton L. Anderson; Sheldon Mak Rose & Anderson PC

(57) **CLAIM**

The ornamental design for a portable spa, as shown and described.

DESCRIPTION

FIG. 1 is a front left side perspective view of a portable spa according to a first embodiment;

FIG. 2 is a rear perspective view thereof;

FIG. 3 is a top plan view thereof;

FIG. 4 is a side elevation view thereof;

FIG. 5 is a front elevation view thereof;

FIG. 6 is a rear elevation view thereof;

FIG. 7 is a left side perspective view of a portable spa according to a second embodiment;

FIG. 8 is a top plan view thereof;

FIG. 9 is a side elevation view thereof;

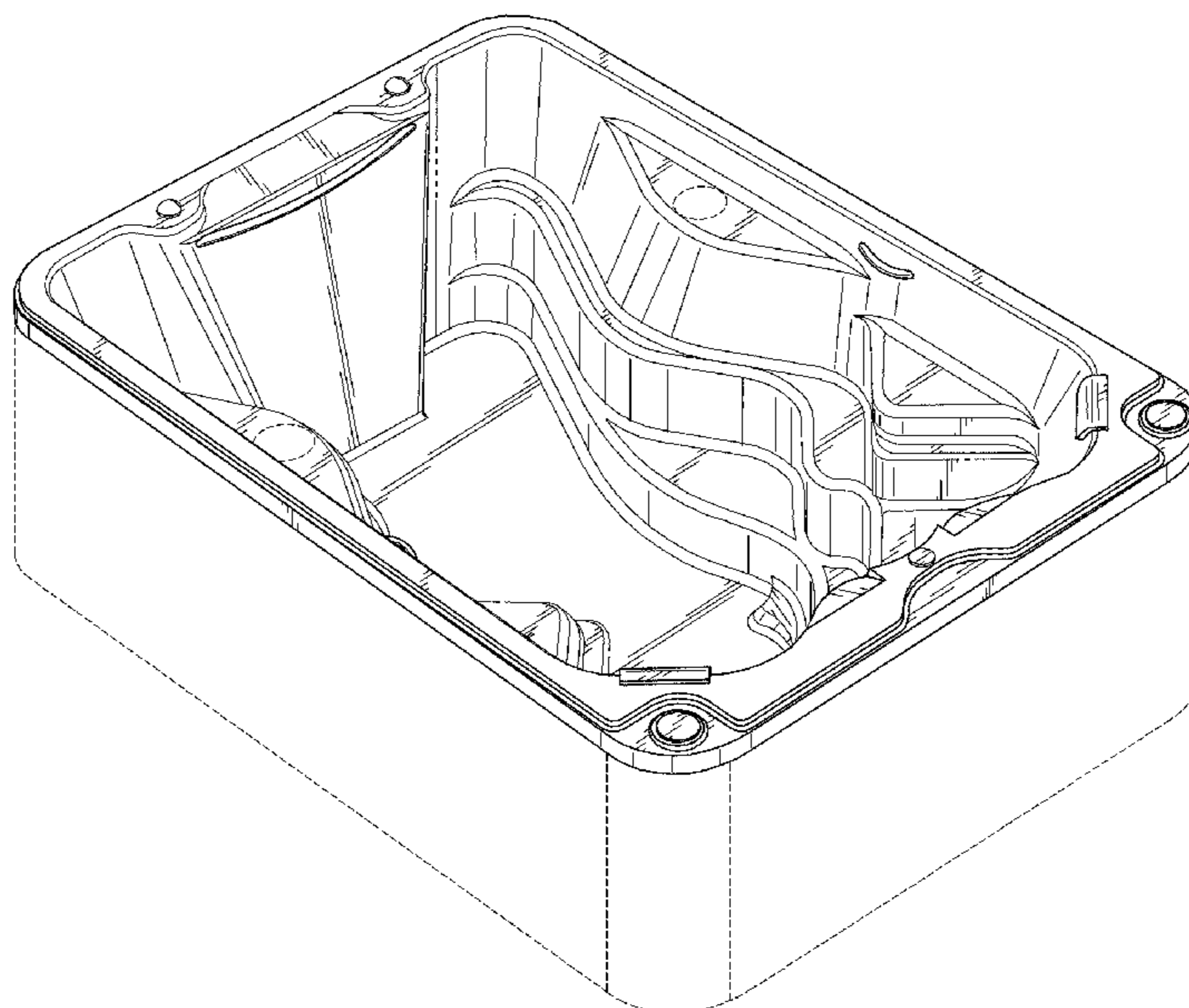
FIG. 10 is a rear left side perspective view of a portable spa according to a third embodiment;

FIG. 11 is a top plan view thereof; and,

FIG. 12 is a side elevation view thereof.

The broken lines shown represent unclaimed subject matter and form no part of the claimed design.

1 Claim, 7 Drawing Sheets



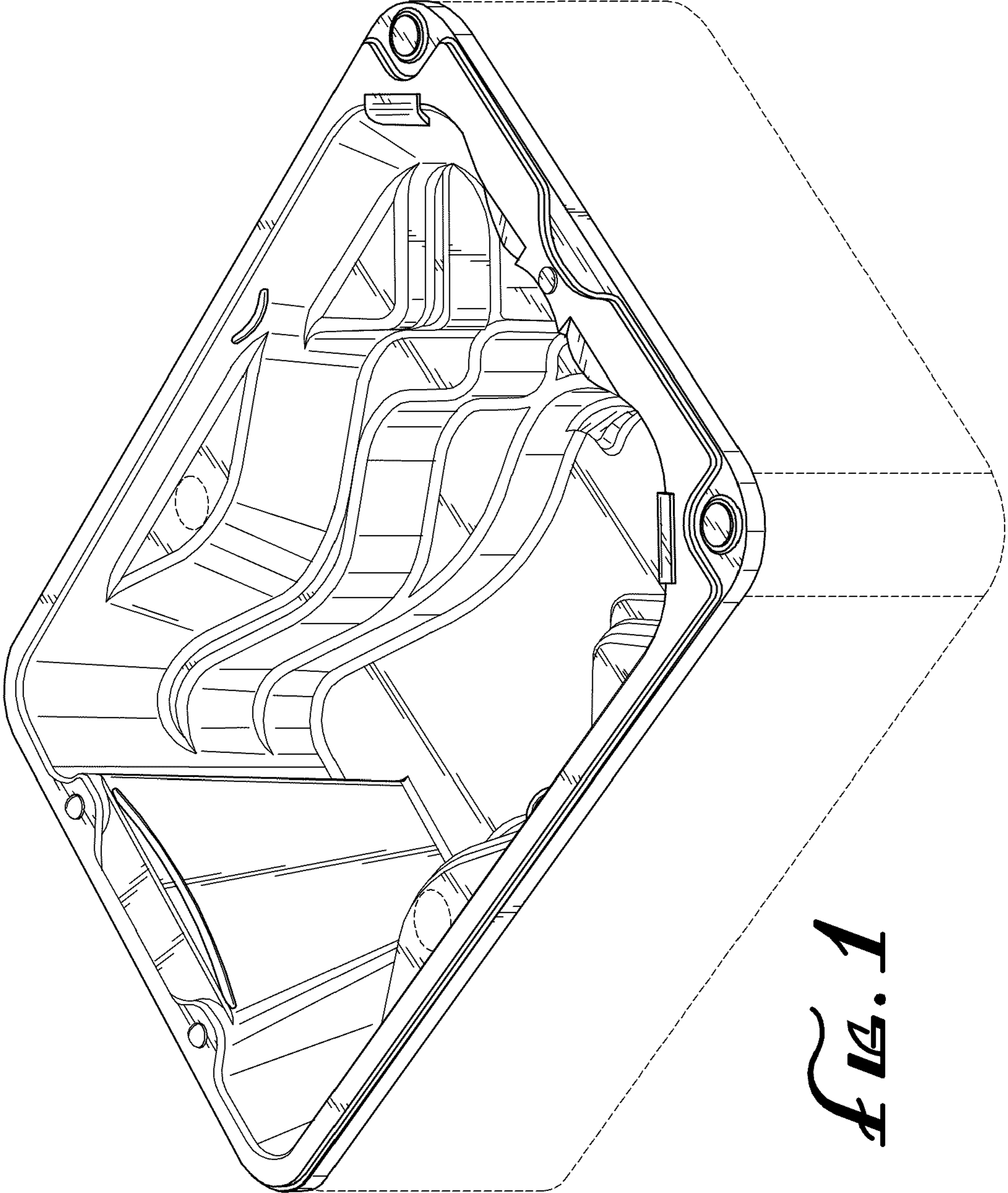


FIG. 1

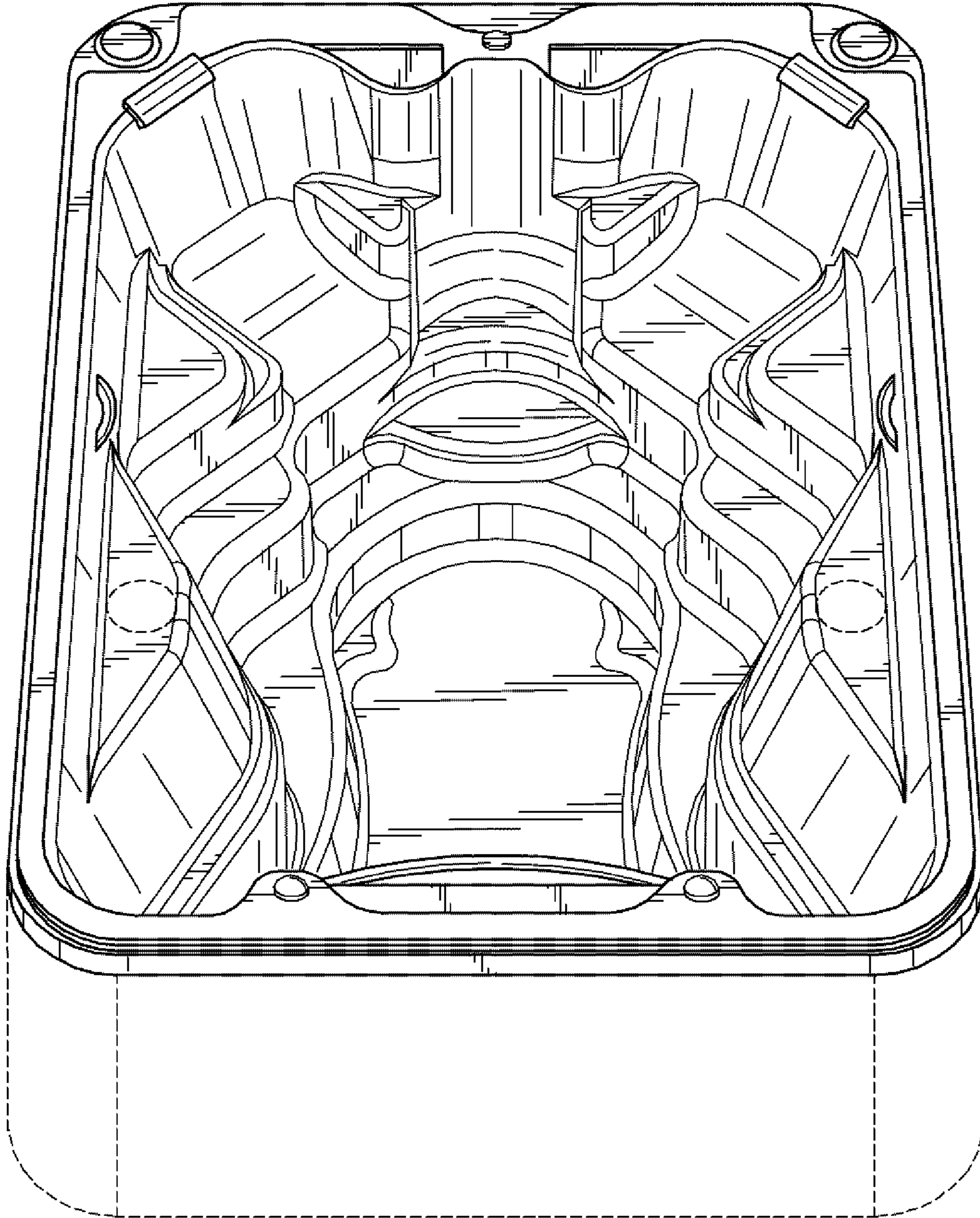


FIG. 2

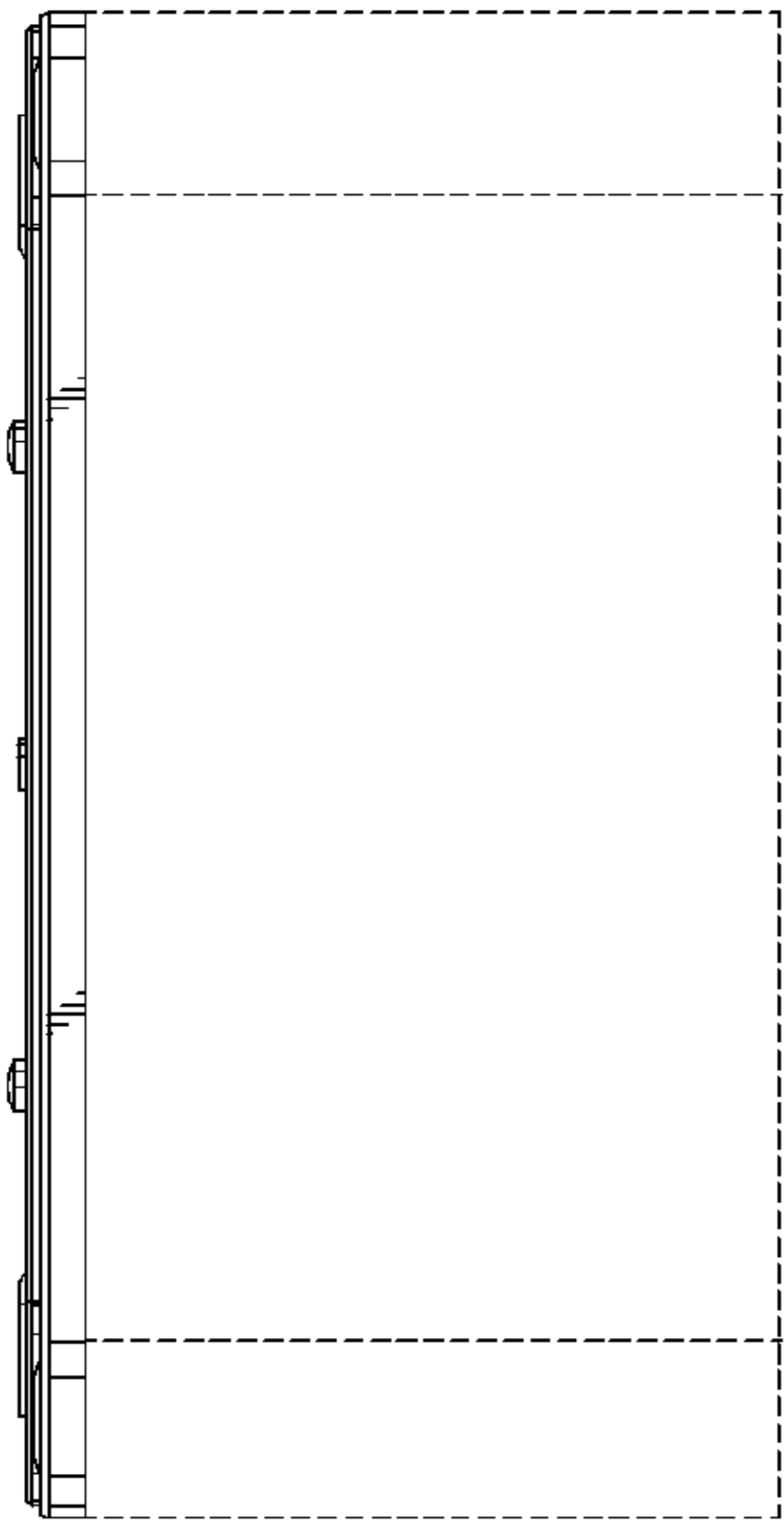


FIG. 5

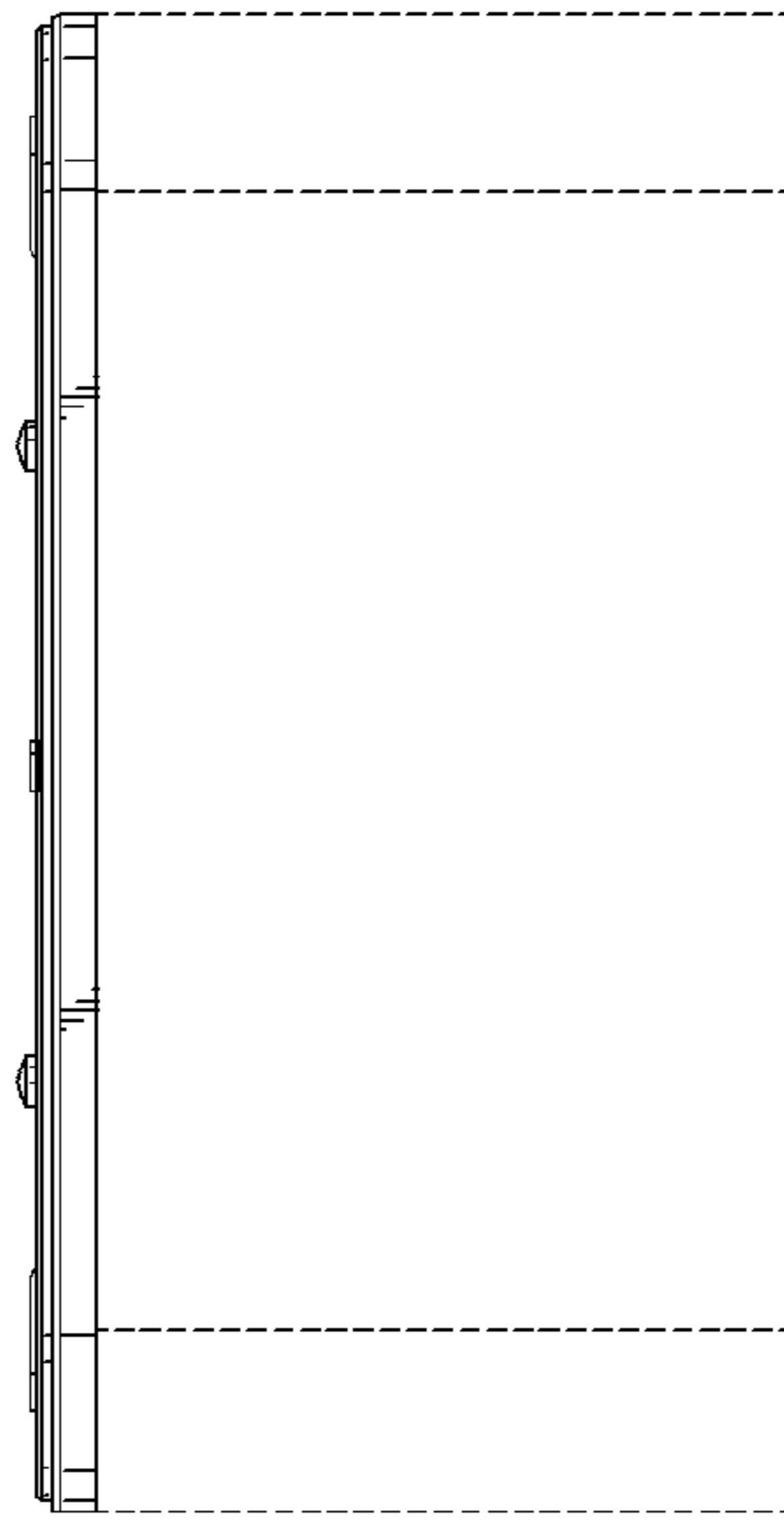


FIG. 6

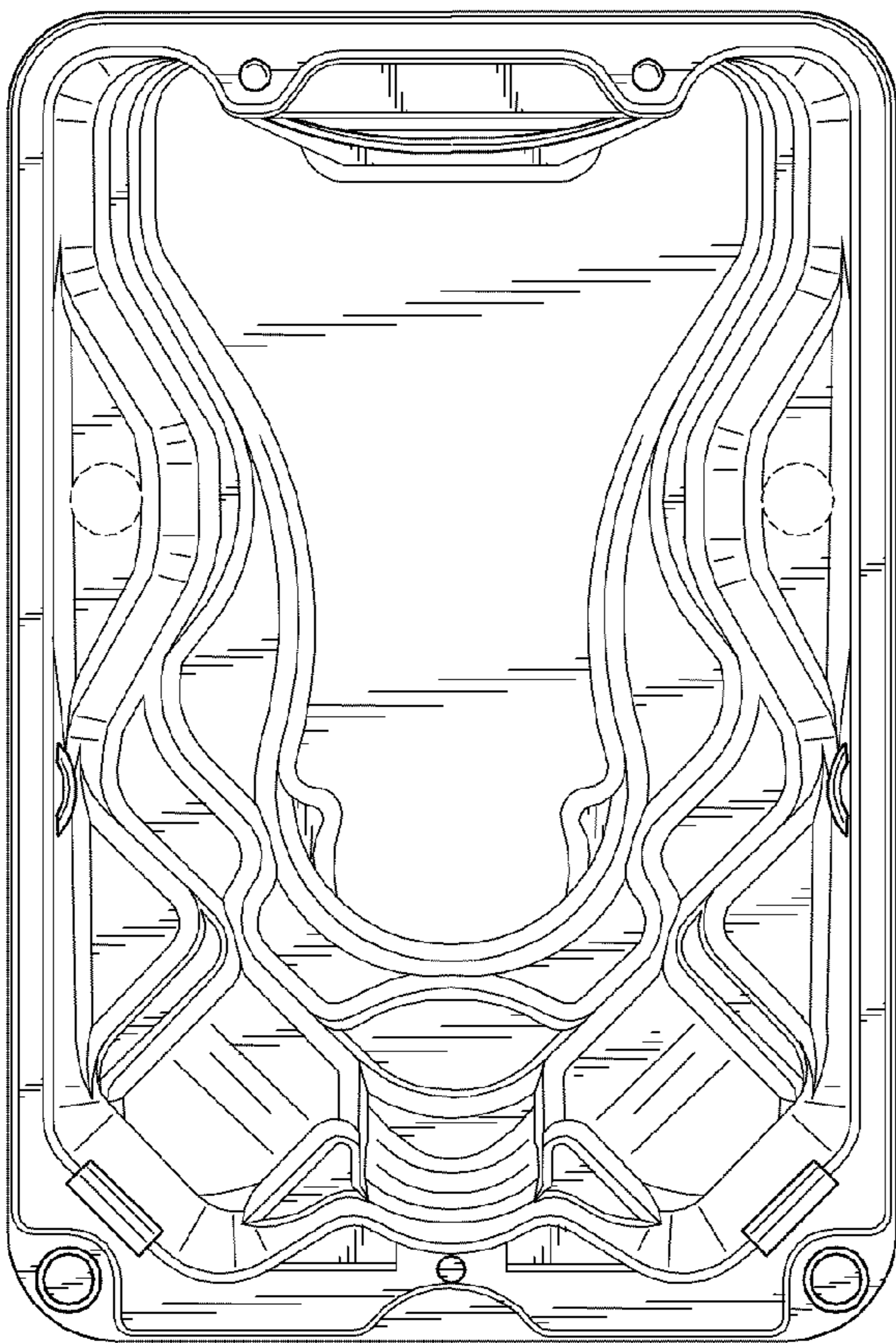


FIG. 3

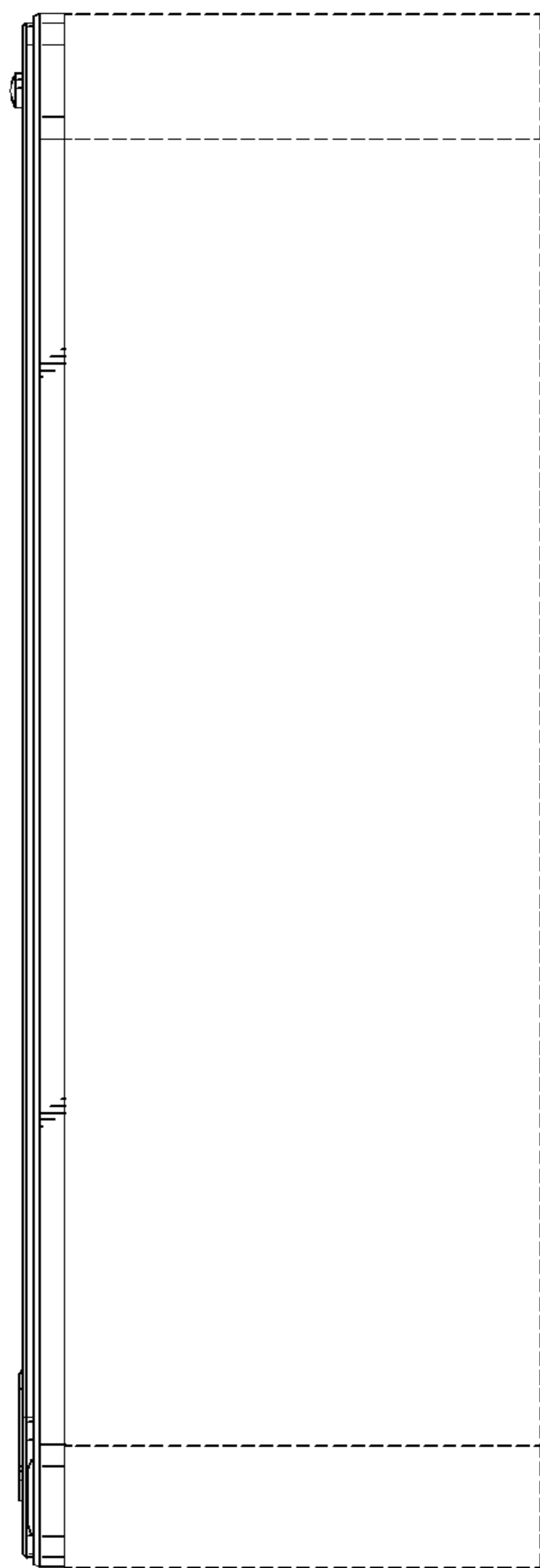
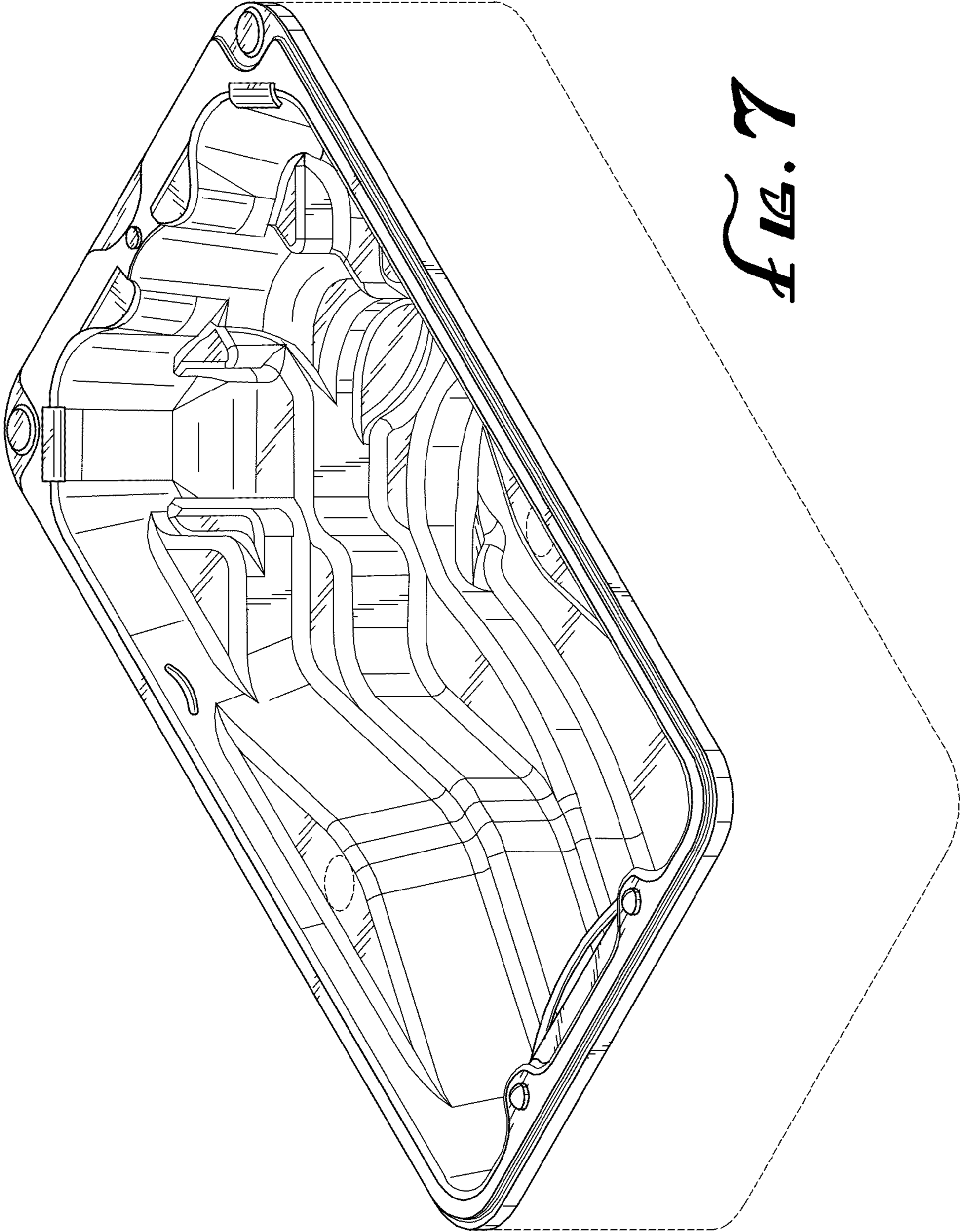


FIG. 4



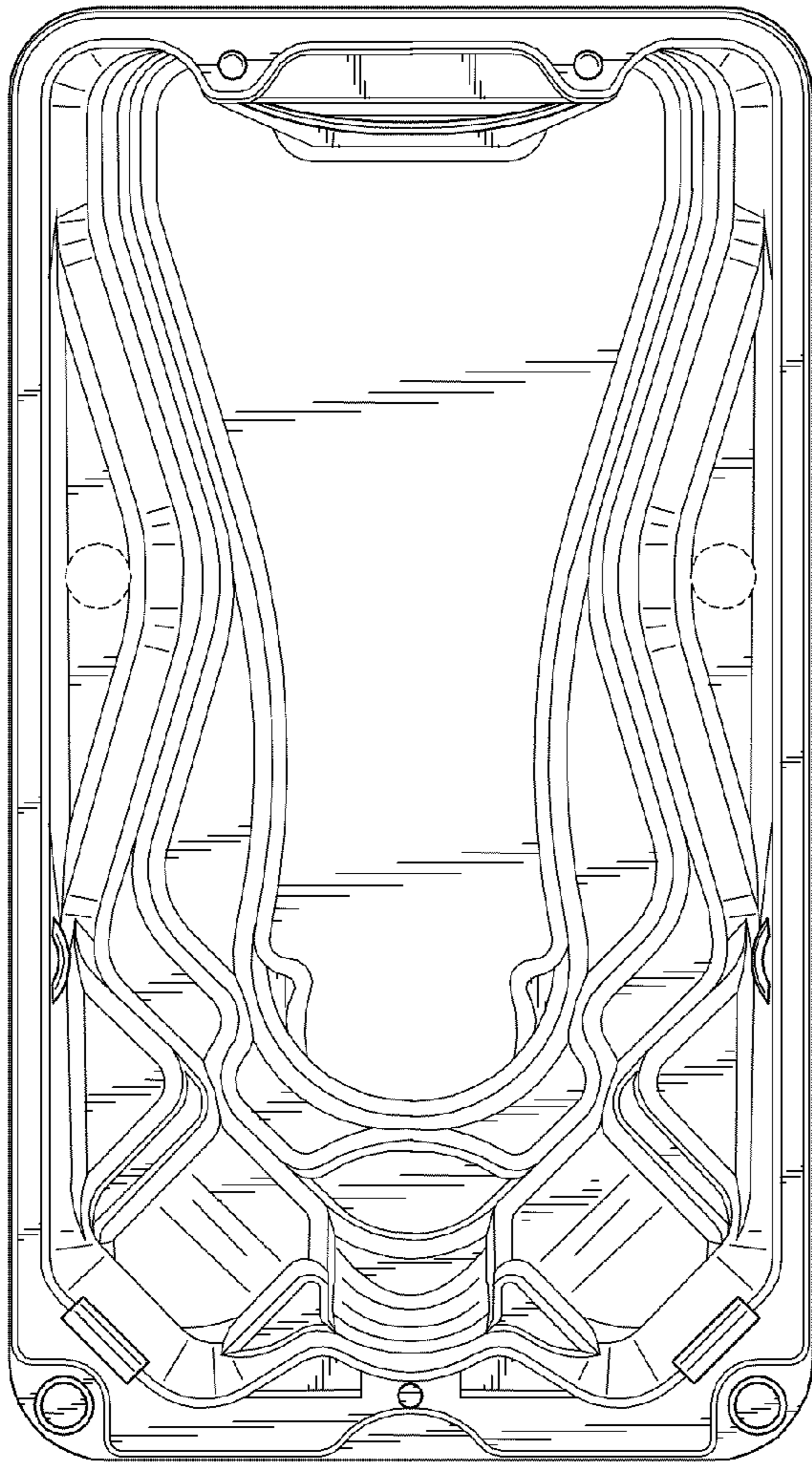


Fig. 8

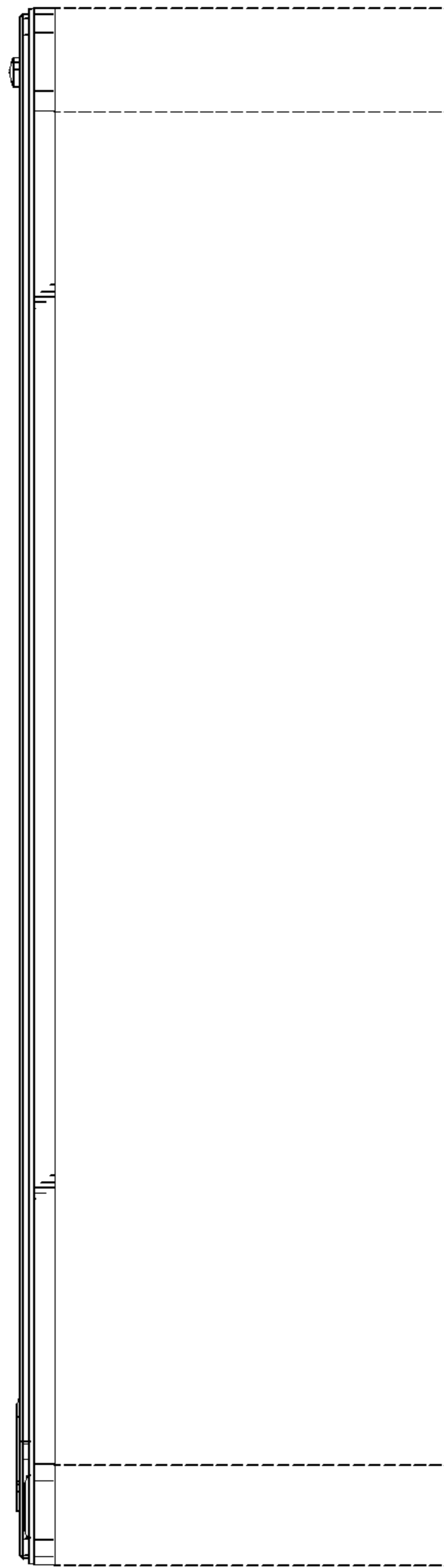


Fig. 9

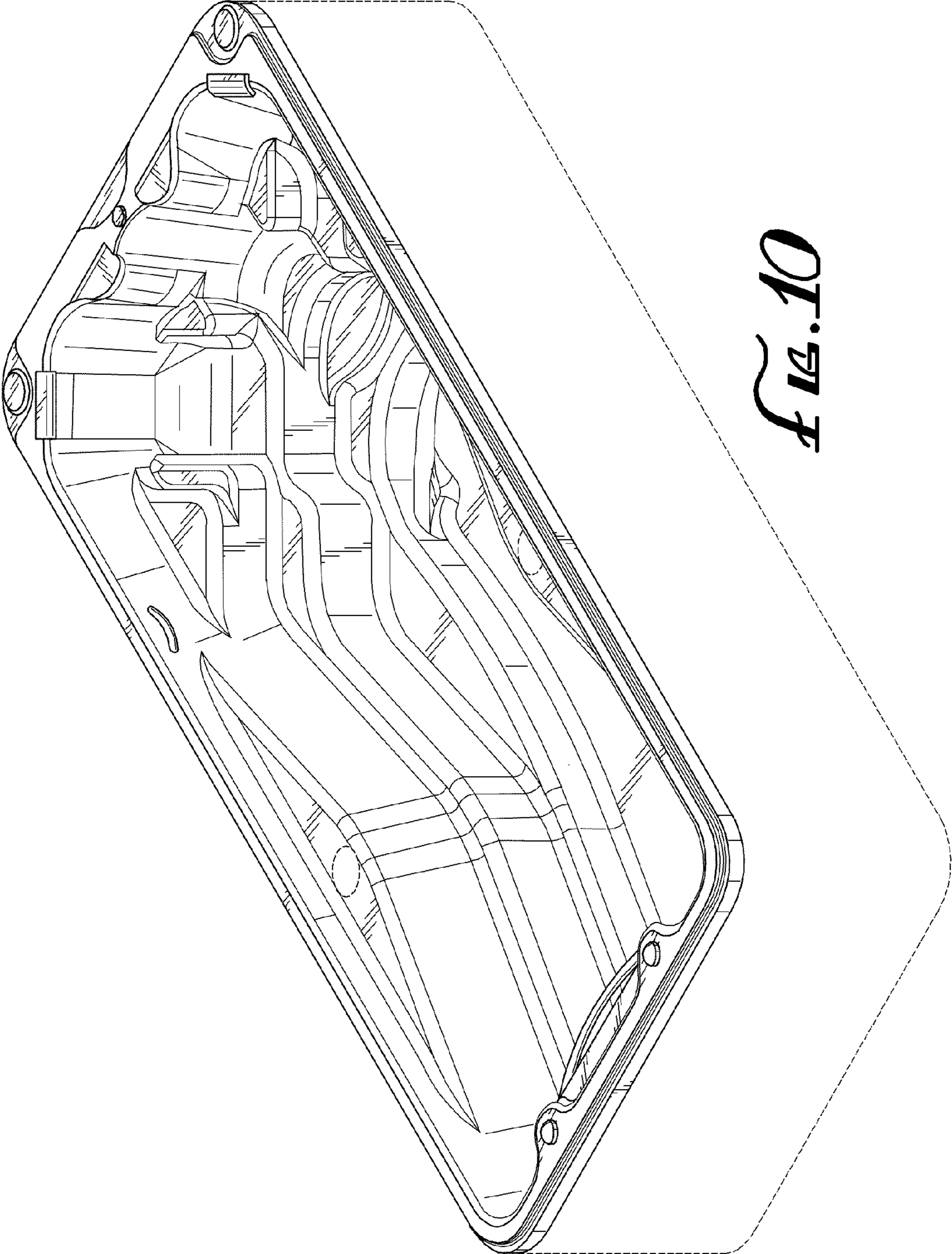


Fig. 10

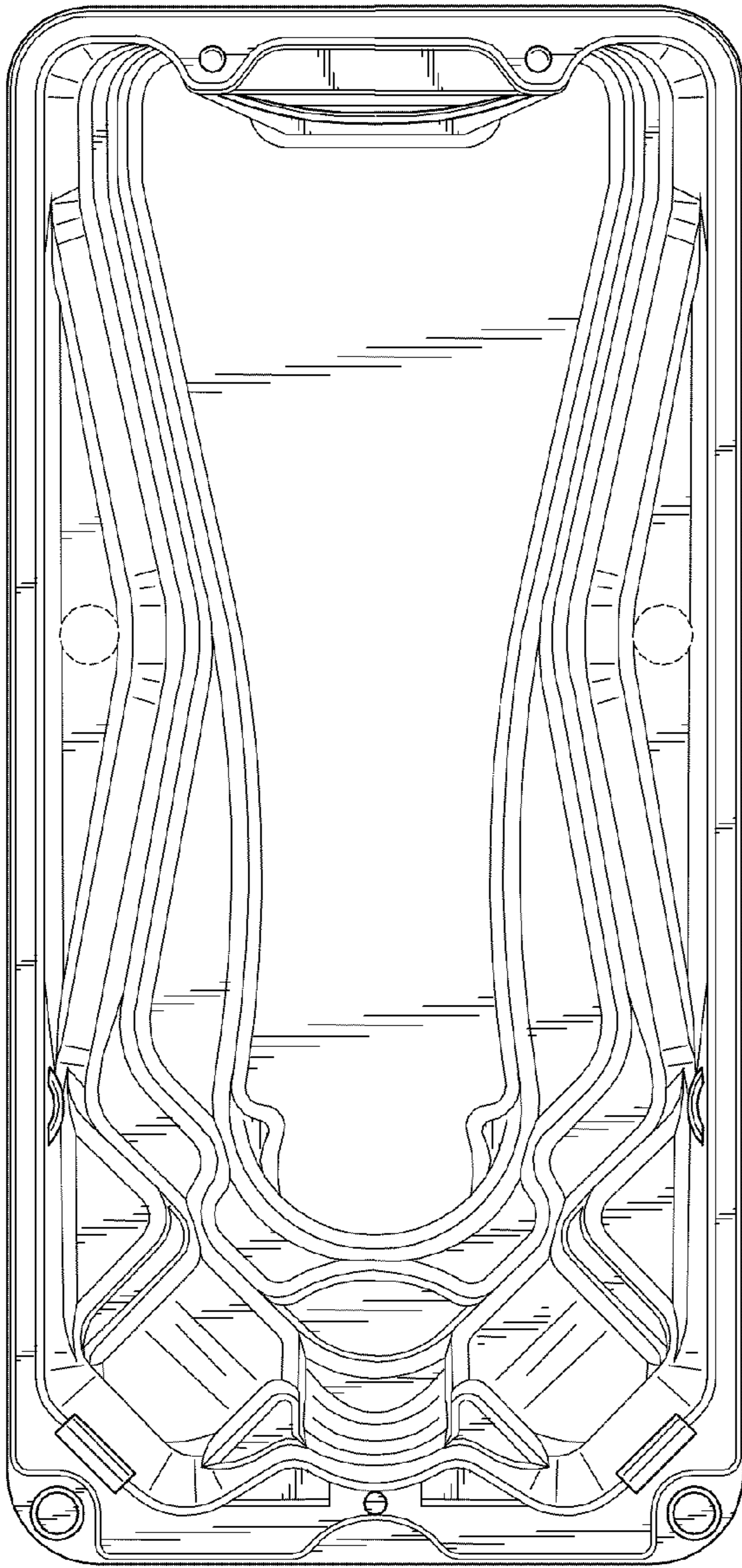


FIG. 11

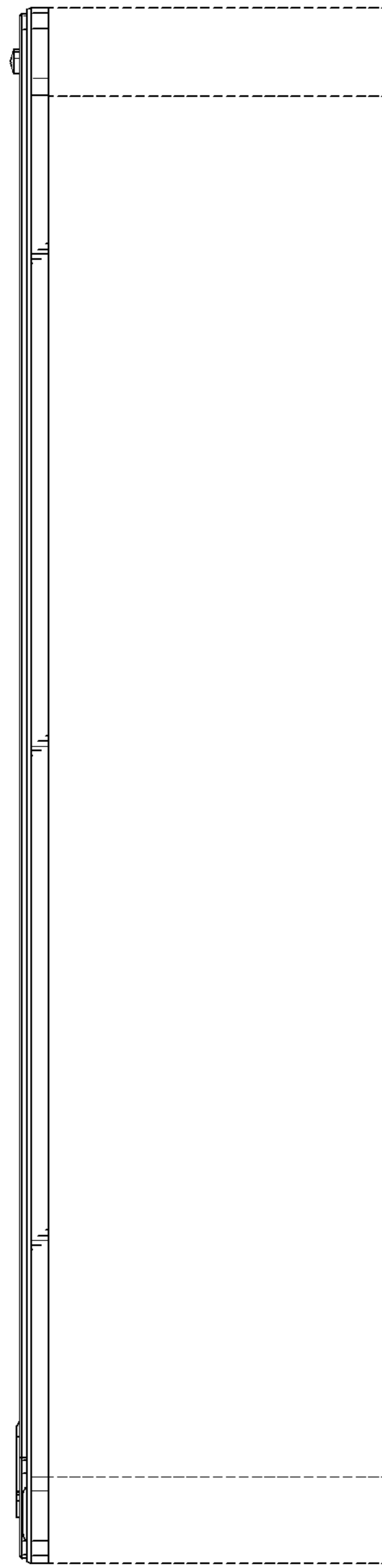


FIG. 12